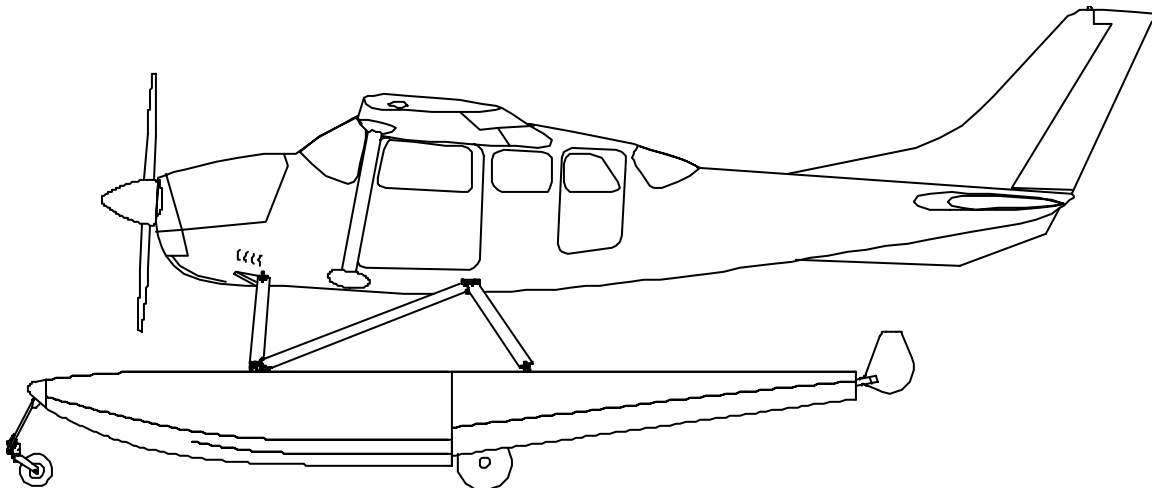


WIPLINE FLOATS

MODEL 3450

PARTS MANUAL

CESSNA 206



WIPAIRE, INC.

1700 HENRY AVE

SOUTH ST. PAUL

MINNESOTA 55075

U.S.A.

WIPLINE MODEL 3450 FLOAT PARTS MANUAL

TABLE OF CONTENTS

<u>SECTION</u>	<u>PAGE</u>
<i>FLOAT PART SALES DEPT. OPERATIONS</i>	4
HULL ASSEMBLY – AMPHIBIAN.....	6
HULL ASSEMBLY – SEAPLANE.....	13
TOP SKIN – HULL – AMPHIBIAN	20
TOP SKIN – HULL – SEAPLANE.....	23
WHEELWELL – ASSEMBLY - AMPHIBIAN	26
EXTRUSIONS – HULL – AMPHIBIAN	29
EXTRUSIONS – HULL – SEAPLANE	31
PUMPER TUBE INSTALLATION.....	33
INSTALLATION WATER RUDDER.....	35
ASSEMBLY – NOSE GEAR RETRACTION.....	38
ASSEMBLY – NOSE GEAR – LOWER.....	41
ASSEMBLY - NOSE GEAR.....	43
MAIN GEAR INSTALLATION.....	45
MAIN GEAR RETRACTION.....	47
MAIN GEAR HYDRAULIC INSTALLATION	50
MAIN GEAR HYDRAULIC INSTALLATION	50
ASSEMBLY – MAIN GEAR WHEEL.....	52
INSTALLATION – STRUTS, WIRES AND SPREADER BARS.....	55
INSTALLATION – STEERING AND RETRACT SYSTEM	59
ASSEMBLY - RETRACT HANDLE	62
INSTALLATION – HYDRAULIC SYSTEM.....	64
ASSEMBLY – HYDRAULIC PUMP.....	67
INSTALLATION STEPS.....	69
HYDRAULIC SCHEMATIC – PUMP	71
ELECTRICAL SCHEMATIC	73
GEAR CONTROL (ROUND).....	75
GEAR CONTROL (RECTANGLE)	77
HYDRAULIC PUMP.....	79
VENTRAL FIN	81
PLACARDS AND MISC DATA CESSNA 206.....	83

You may also look at the latest parts manual at www.wipaire.com.

FLOAT PART SALES DEPT. OPERATIONS

Hours: 8:30 AM - 5:00 PM, Monday through Friday

Central U.S. Time

Phone: 651-286-7014

Fax: 651-306-0666

SHIPPING SCHEDULE:

Orders received before noon (central time) will be shipped the same day.

* A fee of \$25.00 (US) will be charged for AOG / Special Priority Handling *

As we are primarily a manufacturer, our stocks can be rapidly depleted by production requirements. Therefore, prices and availability are subject to change at any time. It is our intent to provide courteous and prompt service of your needs. Please let us know of any problems or concerns so that changes in these procedures can be a benefit for all.

A. PARTS ORDERING

Purchase orders should include:

- 1) P.O. Number
- 2) Name of person placing order
- 3) Invoicing information:
 - a) Customer name - company or individual
 - b) Address
 - c) Phone and fax number
- 4) Shipping information:
 - a) Address (if different from invoice address)
 - b) Method of shipment/preferred carrier
- 5) Aircraft model, float model and serial numbers
- 6) Wipaire part number; name; type, e.g. left or right; quantity
- 7) Payment method: VISA, MasterCard, COD (U.S. customers only),
Pre-payment by check or wire transfer, open account (see E.)

B. *DAMAGED GOODS*

Inspect all parts upon receipt. Damages to parts in transit must be filed as a claim against the carrier.

C. RETURNED PARTS

Written explanation of reason for return must accompany parts, including invoice number of original shipment. Shipping charges on returned parts must be prepaid or the shipment will be refused.

D. ORDER SHORTAGES

Check shipment against delivery slip immediately. All claims for any shortages should be made within three (3) days after order receipt.

E. CREDIT POLICY

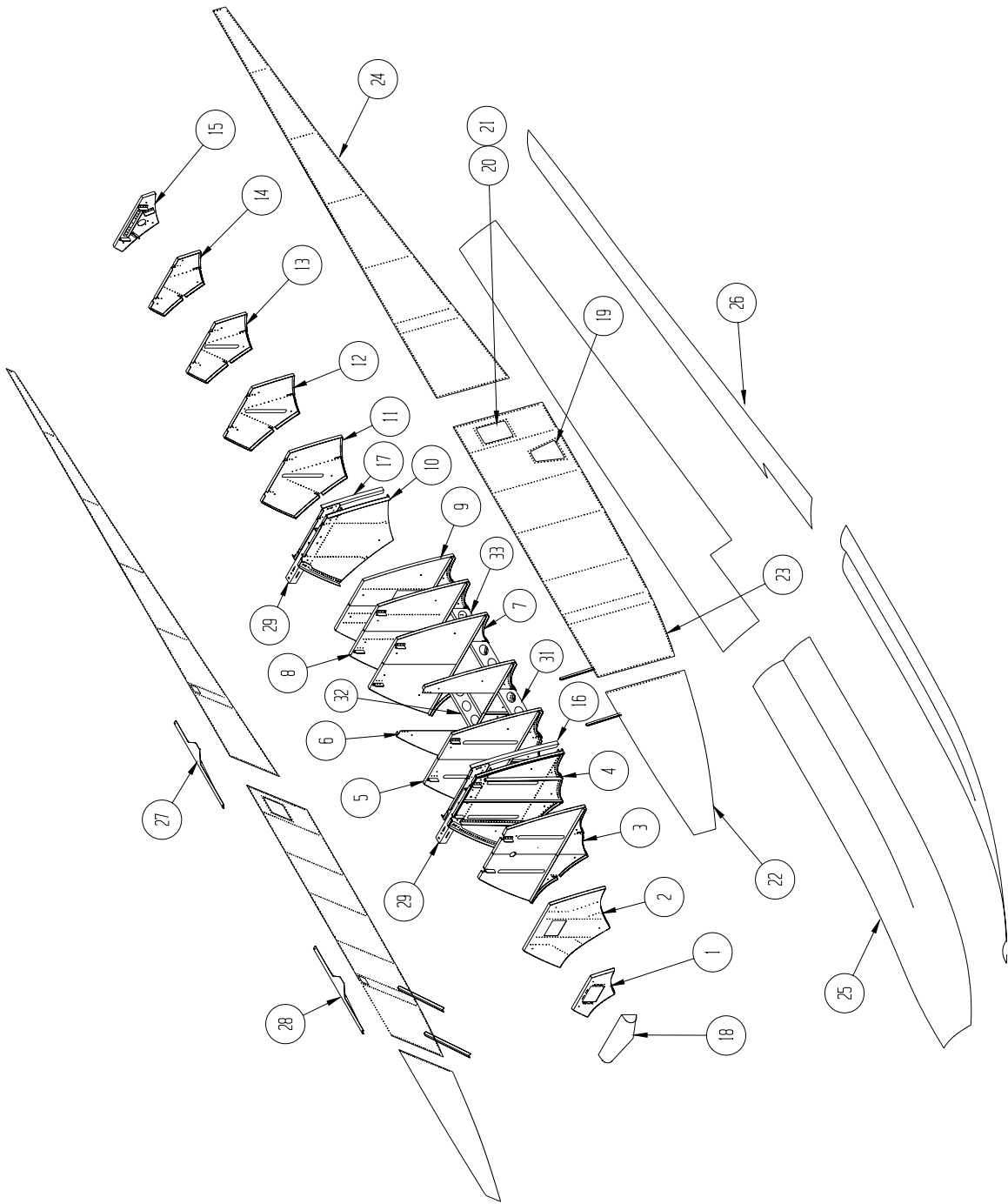
Parts will be shipped on open account, net 30 days, to Wipaire-approved credit customers only. A balance due over 60 days will result in no shipments. Wipaire, Inc reserves the right to send any order C.O.D.

All references in this manual to LEFT and RIGHT are from the perspective of the pilot's seat with the floats fully installed and ready for floatplane operation.

The following is a list of abbreviations that may appear in the description nomenclature fields of this manual.

AB	Afterbody	Inbd.	Inboard
Amphib.	Amphibious	Lg.	Large.
AR	As Required	Lt.	Left
Assy.	Assembly	Lwr.	Lower
Brkt.	Bracket	Opt.	Optional
Btm.	Bottom	Otbd.	Outboard
Bulk.	Bulkhead	Reinf.	Reinforcement
Ctr.	Center	Rr.	Rear
Cyl.	Cylinder	Rt.	Right
Ft.	Front	Sm.	Small
Ftg.	Fitting	SN	Serial Number
Fus.	Fuselage	Spr.	Spreader
Fwd.	Forward	Upr.	Upper
Horiz.	Horizontal	Vert.	Vertical
Hyd.	Hydraulic	W.W.	Wheel Well

WIPLINE MODEL 3450 FLOAT PARTS MANUAL



HULL ASSEMBLY – AMPHIBIAN
FIGURE 1

WIPLINE MODEL 3450 FLOAT PARTS MANUAL

HULL ASSEMBLY - AMPHIBIAN, FIGURE 1

<u>REF NO.</u>	<u>NO.</u>	<u>REQ.</u>	<u>PART DESCRIPTION</u>	<u>PART NO.</u>
1	1		ASS'Y - BULKHEAD #1	30A01000-329
	1		BULKHEAD MAIN	30A01155-029
	8		NUT PLATES	MS21078-4
2	1		ASSY BULKHEAD #3	30A01000-330
	1		BULKHEAD - MAIN	30A01158-208
	1		ANGLE – NOSE BOX ATTACH	30A01326-020
	1		ANGLE – NOSE BOX ATTACH	30A01326-021
	1		ANGLE – BEND L.	30A01359-211
	1		ANGLE – BEND R.	30A01359-212
	1		ANGLE – SHORT L.	30A01359-213
	1		ANGLE – SHORT R.	30A01359-214
	2		SHIM – ANGLE	30A01163-072
3	1		ASSY BULKHEAD #4	30A01000-331
	1		BULKHEAD – MAIN L.	30A01158-209
	1		BULKHEAD – MAIN R.	30A01158-210
	1		SUPPORT – BULKHEAD LOWER	30A01158-222
	1		ANGLE L.	30A01359-223
	1		ANGLE R.	30A01359-224
	2		ANGLE	6A01359-004
4	1		ASSY BULKHEAD #5	30A01000-336
	1		BULKHEAD - MAIN L.	30A01158-211
	1		BULKHEAD - MAIN R.	30A01158-212
	1		ANGLE – SIDE L.	30A01352-037
	1		ANGLE – SIDE R.	30A01352-038
	1		PANEL – SPR. BAR	30A01155-032
	1		SUPPORT – BULKHEAD LOWER	30A01158-223
	1		ANGLE L.	30A01359-221
	1		ANGLE R.	30A01359-222
5	1		ASSY BULKHEAD #6	30A01000-332
	1		BULKHEAD – MAIN L.	30A01158-213

WIPLINE MODEL 3450 FLOAT PARTS MANUAL

HULL ASSEMBLY - AMPHIBIAN, FIGURE 1

<u>REF NO.</u>	<u>NO.</u>	<u>REQ.</u>	<u>PART DESCRIPTION</u>	<u>PART NO.</u>
	1		BULKHEAD – MAIN R.	30A01158-214
	1		SUPPORT – BULKHEAD LOWER	30A01158-224
	6		ANGLE	6A01359-004
6	1		ASSY BULKHEAD #7 L.	30A01000-333
	1		BULKHEAD – MAIN L.	30A01158-215
	1		BULKHEAD – MAIN R.	30A01158-216
	1		SUPPORT – BULKHEAD LOWER	30A01158-225
	4		ANGLE	6A01359-004
	1		BAGGAGE FLOOR	34A01008-116
7	1		ASS'Y BILKHEAD	34A01000-357
	1		BULKHEAD MAIN L	34A01158-239
	1		BULKHEAD MAIN R	34A01158-240
	1		SUPPORT BULKHEAD LOWER	34A01158-241
	6		ANGLE	6A01359-004
8	1		ASS'Y – BULKHEAD #8 L	30A01000-335
	1		BULKHEAD – MAIN L.	30A01158-217
	1		BULKHEAD – MAIN R.	30A01158-229
	1		SUPPORT – BULKHEAD LOWER	30A01158-227
	6		ANGLE	6A01359-004
	1		ASSY BULKHEAD #8 R	30A01000-334
	1		BULKHEAD – MAIN L.	30A01158-218
	1		BULKHEAD – MAIN R.	30A01158-228
	1		SUPPORT – BULKHEAD LOWER	30A01158-226
	6		ANGLE	6A01359-004
9	1		ASS'Y – BULKHEAD #9 L	30A01000-337
	1		BULKHEAD – MAIN L.	30A01158-219
	1		BULKHEAD – MAIN R.	30A01158-233
	1		SUPPORT – BULKHEAD LOWER	30A01158-231
	4		ANGLE	6A01359-004
	1		ASSY BULKHEAD #9 R	30A01000-338
	1		BULKHEAD – MAIN L.	30A01158-220

WIPLINE MODEL 3450 FLOAT PARTS MANUAL

HULL ASSEMBLY - AMPHIBIAN, FIGURE 1

<u>REF NO.</u>	<u>NO.</u>	<u>REQ.</u>	<u>PART DESCRIPTION</u>	<u>PART NO.</u>
	1		BULKHEAD – MAIN R.	30A01158-232
	1		SUPPORT – BULKHEAD LOWER	30A01158-230
	4		ANGLE	6A01359-004
10	1		ASS'Y - BULKHEAD #10	30A01000-339
	1		BULKHEAD – MAIN	30A01158-221
	1		ANGLE – SIDE L.	30A01352-035
	1		ANGLE – SIDE R.	30A01352-036
	1		PANEL – SPR. BAR	30A01155-032
	2		ANGLE	6A01359-004
11	1		ASS'Y – BULKHEAD #11	30A01000-340
	1		BULKHEAD – MAIN	30A01158-204
	1		ANGLE L.	30A01359-217
	1		ANGLE R.	30A01359-216
	2		ANGLE	6A01359-004
12	1		BULKHEAD #12	30A01000-341
	1		BULKHEAD – MAIN	30A01158-205
	1		ANGLE L.	30A01359-217
	1		ANGLE R.	30A01359-216
	2		ANGLE	6A01359-004
13	1		ASS'Y BULKHEAD #13	30A01000-342
	1		BULKHEAD - MAIN	30A01158-206
	1		ANGLE L.	30A01359-219
	1		ANGLE R.	30A01359-218
	2		ANGLE	6A01359-004
14	1		ASS'Y BULKHEAD #14	34A01000-356
	1		BULKHEAD - MAIN	34A01158-242
	1		ANGLE L	34A01359-215
	1		ANGLE R	34A01359-220
	2		ANGLE	6A01359-004

WIPLINE MODEL 3450 FLOAT PARTS MANUAL

HULL ASSEMBLY - AMPHIBIAN, FIGURE 1

<u>REF NO.</u>	<u>NO.</u>	<u>REQ.</u>	<u>PART DESCRIPTION</u>	<u>PART NO.</u>
15	1		ASS'Y BULKHEAD #15	34A01000-355
	1		BULKHEAD – MAIN	34A01158-238
	4		ANGLE	6A01359-004
	1		ANGLE – UPPER	30A01359-209
	1		CASTING - PIVOT	4A01000-301
16	1		ASS'Y SPR. BAR PANEL FWD	30A03000-354
	1		PANEL – SPR. BAR	30A01155-031
	1		ANGLE – SIDE L.	30A01352-039
	1		ANGLE – SIDE R.	30A01352-040
	2		ANGLE	6A01359-004
	1		BOLT	AN4-5A
	1		WASHER	NAS1149F0463P
	1		NUT	MS21044N4
17	1		ASS'Y SPR. BAR PANEL AFT	30A01000-353
	1		PANEL – SPR. BAR	30A01155-031
	1		ANGLE – SIDE L.	30A01352-033
	1		ANGLE – SIDE R.	30A01352-034
	2		ANGLE	30A01156-125
	1		BOLT	AN4-5A
	1		WASHER	NAS1149F0463P
	1		NUT	MS21044N4
18	1		NOSE BUMPER	30A01359-225
	1		ANGLE	30A01359-225
19	1		STEP – BOARDING	30A01000-358
20	2		REINFORCEMENT – COVER	30A01156-144
21	2		COVER – INSP.	21A01004-101
	56		SCREW – ATTACH	AN526-632R6

WIPLINE MODEL 3450 FLOAT PARTS MANUAL

HULL ASSEMBLY - AMPHIBIAN, FIGURE 1

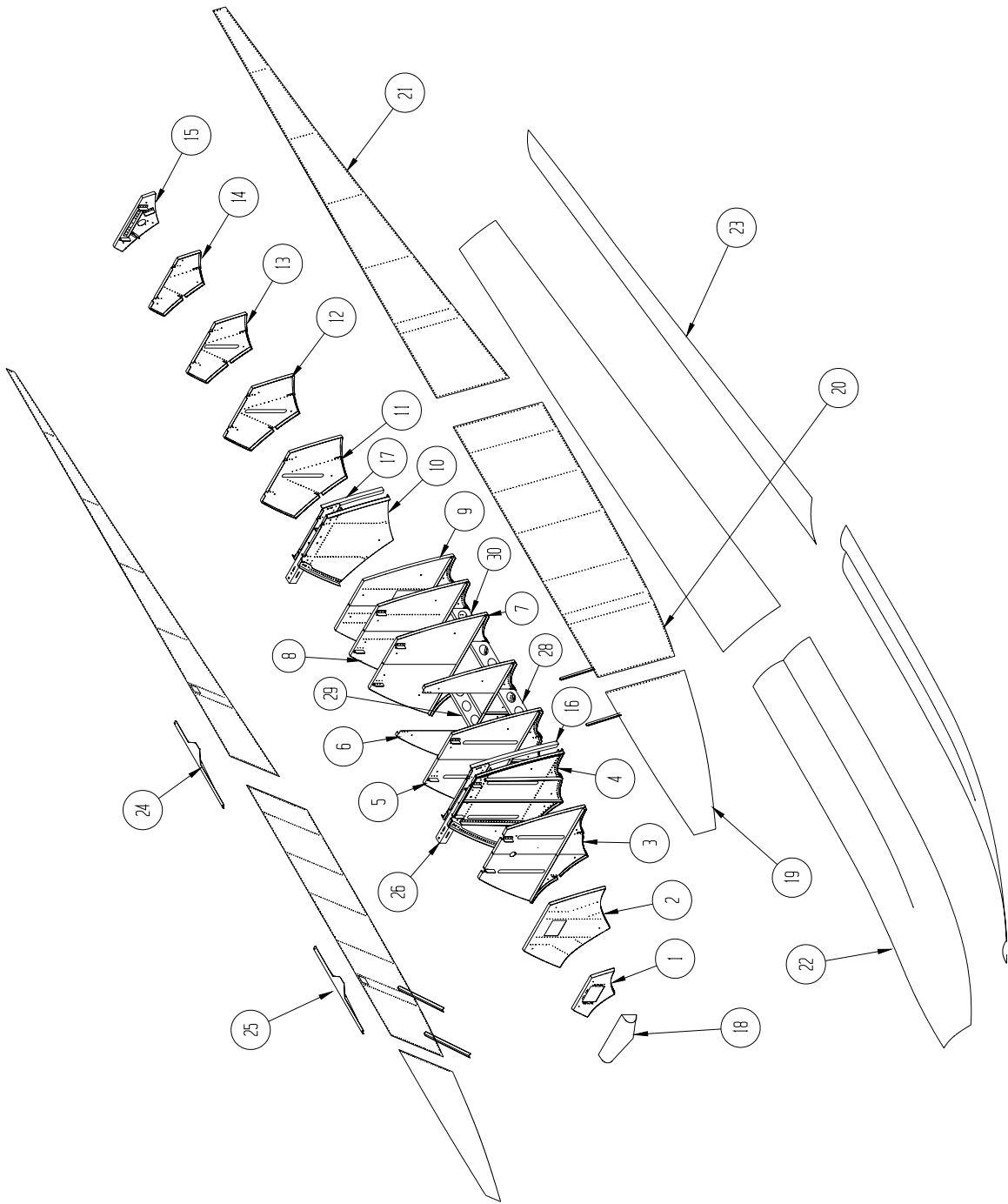
<u>REF NO.</u>	<u>NO.</u>	<u>REQ.</u>	<u>PART DESCRIPTION</u>	<u>PART NO.</u>
22	1		SIDE SKIN – FWD L. OUTBR'D	30A01148-005
	1		SIDE SKIN – FWD R. OUTBR'D	30A01148-006
	2		STIFFENER	30A01340-153
	2		STIFFENER	30A01340-133
	2		STIFFENER	30A01340-134
	2		STIFFENER	30A01340-135
	2		STIFFENER	30A01340-136
23	1		SIDE SKIN – MIDDLE L. OUTBR'D	34A01148-023
	1		SIDE SKIN – MIDDLE R. OUTBR'D	34A01148-024
	1		SIDE SKIN – MIDDLE L. INBR'D	34A01148-019
	1		SIDE SKIN – MIDDLE R. INBR'D	34A01148-020
	1		STIFFENER	30A01340-137
	1		STIFFENER	30A01340-152
	1		STIFFENER	30A01340-138
	3		STIFFENER - INBRD	30A01340-139
24	2		STIFFENER – OUTBRD	30A01340-139
	1		SIDE SKIN – AFT L. OUTBR'D	34A01148-025
	1		SIDE SKIN – AFT R. OUTBR'D	34A01148-026
	1		SIDE SKIN – AFT L. INBR'D	34A01148-021
	1		SIDE SKIN – AFT R. INBR'D	34A01148-022
	1		STIFFENER	30A01340-140
	1		STIFFENER	30A01340-141
	1		STIFFENER	30A01340-142
	1		STIFFENER	30A01340-143
	1		STIFFENER	30A01340-144
	1		STIFFENER	34A01340-147
<u>NOTE: DIFFERENCE BETWEEN R. AND L. IS FINISH</u>				
25	1		BOTTOM SKIN FWD L.	30A01151-103
	1		BOTTOM SKIN FWD R.	30A01151-102
	2		BOTTOM SKIN SPLICE – AFT	34A01150-145
26	1		BOTTOM SKIN AFTERBODY L.	34A01148-039

WIPLINE MODEL 3450 FLOAT PARTS MANUAL

HULL ASSEMBLY - AMPHIBIAN, FIGURE 1

<u>REF NO.</u>	<u>NO.</u>	<u>REQ.</u>	<u>PART DESCRIPTION</u>	<u>PART NO.</u>
	1		BOTTOM SKIN AFTERBODY R.	34A01148-040
27	1		DOUBLER – GUNWALL AFT L.	34A01162-054
	1		DOUBLER – GUNWALL AFT R.	34A01162-055
28	1		DOUBLER – GUNWALL FWD L.	30A01162-045
	1		DOUBLER – GUNWALL FWD R.	30A01162-046
29	1		TUBE – SPR. BAR MOUNTING R.	30A03319-001
	1		TUBE – SPR. BAR MOUNTING L.	30A03319-002
	6		BOLT	AN4-22A
	12		WASHER	NAS1149D0416J
	12		WASHER	NAS1149D0463J
	6		NUT	MS21044N4
30	1		GUNWALL CAP (OUTBRD L) (NOT SHOWN)	34A01162-049
	1		GUNWALL CAP (OUTBRD R) (NOT SHOWN)	34A01162-050
31	2		BAGGAGE REINFORCEMENT	34A01005-385
	4		ANGLE	34A01340-173
	4		ANGLE	34A01340-174
32	2		BAGGAGE REINFORCEMENT	34A01005-384
	4		ANGLE	34A01340-173
	4		ANGLE	34A01340-174
33	2		BAGGAGE REINFORCEMENT	34A01005-383
	4		ANGLE	34A01340-173
	4		ANGLE	34A01340-174

WIPLINE MODEL 3450 FLOAT PARTS MANUAL



HULL ASSEMBLY – SEAPLANE
FIGURE 2

WIPLINE MODEL 3450 FLOAT PARTS MANUAL

HULL ASSEMBLY - SEAPLANE, FIGURE 2

<u>REF NO.</u>	<u>NO.</u>	<u>REQ.</u>	<u>PART DESCRIPTION</u>	<u>PART NO.</u>
1	1		ASS'Y - BULKHEAD #1	30A01000-329
	1		BULKHEAD MAIN	30A01155-029
	1		COVER – BULKHEAD	30S01158-263
	1		NUT PLATES	MS21078-4
2	1		ASSY BULKHEAD #3	30A01000-330
	1		BULKHEAD - MAIN	30A01158-208
	1		ANGLE – NOSE BOX ATTACH	30A01326-020
	1		ANGLE – NOSE BOX ATTACH	30A01326-021
	1		ANGLE – BEND L.	30A01359-211
	1		ANGLE – BEND R.	30A01359-212
	1		ANGLE – SHORT L.	30A01359-213
	1		ANGLE – SHORT R.	30A01359-214
	2		SHIM – ANGLE	30A01163-072
	1		COVER – BULKHEAD	30S01158-264
3	1		ASSY BULKHEAD #4	30A01000-331
	1		BULKHEAD – MAIN L.	30A01158-209
	1		BULKHEAD – MAIN R.	30A01158-210
	1		SUPPORT – BULKHEAD LOWER	30A01158-222
	1		ANGLE L.	30A01359-223
	1		ANGLE R.	30A01359-224
	2		ANGLE	6A01359-004
4	1		ASSY BULKHEAD #5	30A01000-336
	1		BULKHEAD - MAIN L.	30A01158-211
	1		BULKHEAD - MAIN R.	30A01158-212
	1		ANGLE – SIDE L.	30A01352-037
	1		ANGLE – SIDE R.	30A01352-038
	1		PANEL – SPR. BAR	30A01155-032
	1		SUPPORT – BULKHEAD LOWER	30A01158-223
	1		ANGLE L.	30A01359-221
	1		ANGLE R.	30A01359-222
2		ANGLE	6A01359-004	

WIPLINE MODEL 3450 FLOAT PARTS MANUAL

HULL ASSEMBLY - SEAPLANE, FIGURE 2

<u>REF NO.</u>	<u>NO.</u>	<u>REQ.</u>	<u>PART DESCRIPTION</u>	<u>PART NO.</u>
5	1		ASSY BULKHEAD #6	30A01000-332
	1		BULKHEAD – MAIN L.	30A01158-213
	1		BULKHEAD – MAIN R.	30A01158-214
	1		SUPPORT – BULKHEAD LOWER	30A01158-224
	6		ANGLE	6A01359-004
6	1		ASSY BULKHEAD #7 L.	30A01000-333
	1		BULKHEAD – MAIN L.	30A01158-215
	1		BULKHEAD – MAIN R.	30A01158-216
	1		SUPPORT – BULKHEAD LOWER	30A01158-225
	4		ANGLE	6A01359-004
7	1		BAGGAGE FLOOR	34A01008-116
	1		ASS'Y BULKHEAD	34A01000-357
	1		BULKHEAD - MAIN L	34A01158-239
	1		BULKHEAD - MAIN R	34A01158-240
	1		SUPPORT BULKHEAD – LOWER	34A01158-241
8	6		ANGLE	6A01359-004
	1		ASS'Y – BULKHEAD #8 L	30A01000-335
	1		BULKHEAD – MAIN L.	30A01158-217
	1		BULKHEAD – MAIN R.	30A01158-229
	1		SUPPORT – BULKHEAD LOWER	30A01158-227
	6		ANGLE	6A01359-004
	1		ASSY BULKHEAD #8 R	30A01000-334
	1		BULKHEAD – MAIN L.	30A01158-218
	1		BULKHEAD – MAIN R.	30A01158-228
	1		SUPPORT – BULKHEAD LOWER	30A01158-226
	6		ANGLE	6A01359-004
9	1		ASS'Y – BULKHEAD #9	30S01000-407
	1		BULKHEAD – MAIN L.	34A01158-239
	1		BULKHEAD – MAIN R.	34A01158-240
	1		SUPPORT – BULKHEAD LOWER	34A01158-241
	4		ANGLE	6A01359-004

WIPLINE MODEL 3450 FLOAT PARTS MANUAL

HULL ASSEMBLY - SEAPLANE, FIGURE 2

<u>REF NO.</u>	<u>NO.</u>	<u>REQ.</u>	<u>PART DESCRIPTION</u>	<u>PART NO.</u>
	1		ANGLE	34S01158-258
	1		ANGLE	34S01158-259
10	1		ASS'Y - BULKHEAD #10	30S01000-408
	1		BULKHEAD - MAIN	30A01158-221
	1		ANGLE - SIDE L.	30A01352-035
	1		ANGLE - SIDE R.	30A01352-036
	1		PANEL - SPR. BAR	30A01155-032
	2		ANGLE	6A01359-004
	2		ANGLE	30S01340-180
11	1		ASS'Y - BULKHEAD #11	30A01000-340
	1		BULKHEAD - MAIN	30A01158-204
	1		ANGLE L.	30A01359-217
	1		ANGLE R.	30A01359-216
	2		ANGLE	6A01359-004
12	1		BULKHEAD #12	30A01000-341
	1		BULKHEAD - MAIN	30A01158-205
	1		ANGLE L.	30A01359-217
	1		ANGLE R.	30A01359-216
	2		ANGLE	6A01359-004
13	1		ASS'Y BULKHEAD #13	30A01000-342
	1		BULKHEAD - MAIN	30A01158-206
	1		ANGLE L.	30A01359-219
	1		ANGLE R.	30A01359-218
	2		ANGLE	6A01359-004
14	1		ASS'Y BULKHEAD #14	34A01000-356
	1		BULKHEAD - MAIN	34A01158-242
	1		ANGLE UPPER	34A01359-215
	1		ANGLE LOWER	34A01359-220
	4		ANGLE	6A01359-004

WIPLINE MODEL 3450 FLOAT PARTS MANUAL

HULL ASSEMBLY - SEAPLANE, FIGURE 2

<u>REF NO.</u>	<u>NO.</u>	<u>REQ.</u>	<u>PART DESCRIPTION</u>	<u>PART NO.</u>
15	1		ASS'Y BULKHEAD	34A01000-355
	1		BULKHEAD – MAIN	34A01158-238
	4		ANGLE	6A01359-004
	1		ANGLE – UPPER	30A01359-209
	1		CASTING - PIVOT	4A01000-301
16	1		ASS'Y SPR. BAR PANEL FWD	30A01000-354
	1		PANEL – SPR. BAR	30A01155-031
	1		ANGLE – SIDE L.	30A01352-039
	1		ANGLE – SIDE R.	30A01352-040
	2		ANGLE	30A01156-125
	1		BOLT	AN4-5A
	1		WASHER	NAS1149F0463P
	1		NUT	MS21044N4
17	1		ASS'Y SPR. BAR PANEL AFT	30A01000-353
	1		PANEL – SPR. BAR	30A01155-031
	1		ANGLE – SIDE L.	30A01352-033
	1		ANGLE – SIDE R.	30A01352-034
	2		ANGLE	30A01156-125
	1		BOLT	AN4-5A
	1		WASHER	NAS1149F0463P
	1		NUT	MS21044N4
	4		SCREW	1032R10
18	1		NOSE BUMPER	30S01739-001
	2		ANGLE	30S01326-034
	4		SCREW	AN5261032R10
19	1		SIDE SKIN – FWD L. OUTBR'D	30A01148-005
	1		SIDE SKIN – FWD R. OUTBR'D	30A01148-006
	2		STIFFENER	30A01340-153
	2		STIFFENER	30A01340-133
	2		STIFFENER	30A01340-134

WIPLINE MODEL 3450 FLOAT PARTS MANUAL

HULL ASSEMBLY - SEAPLANE, FIGURE 2

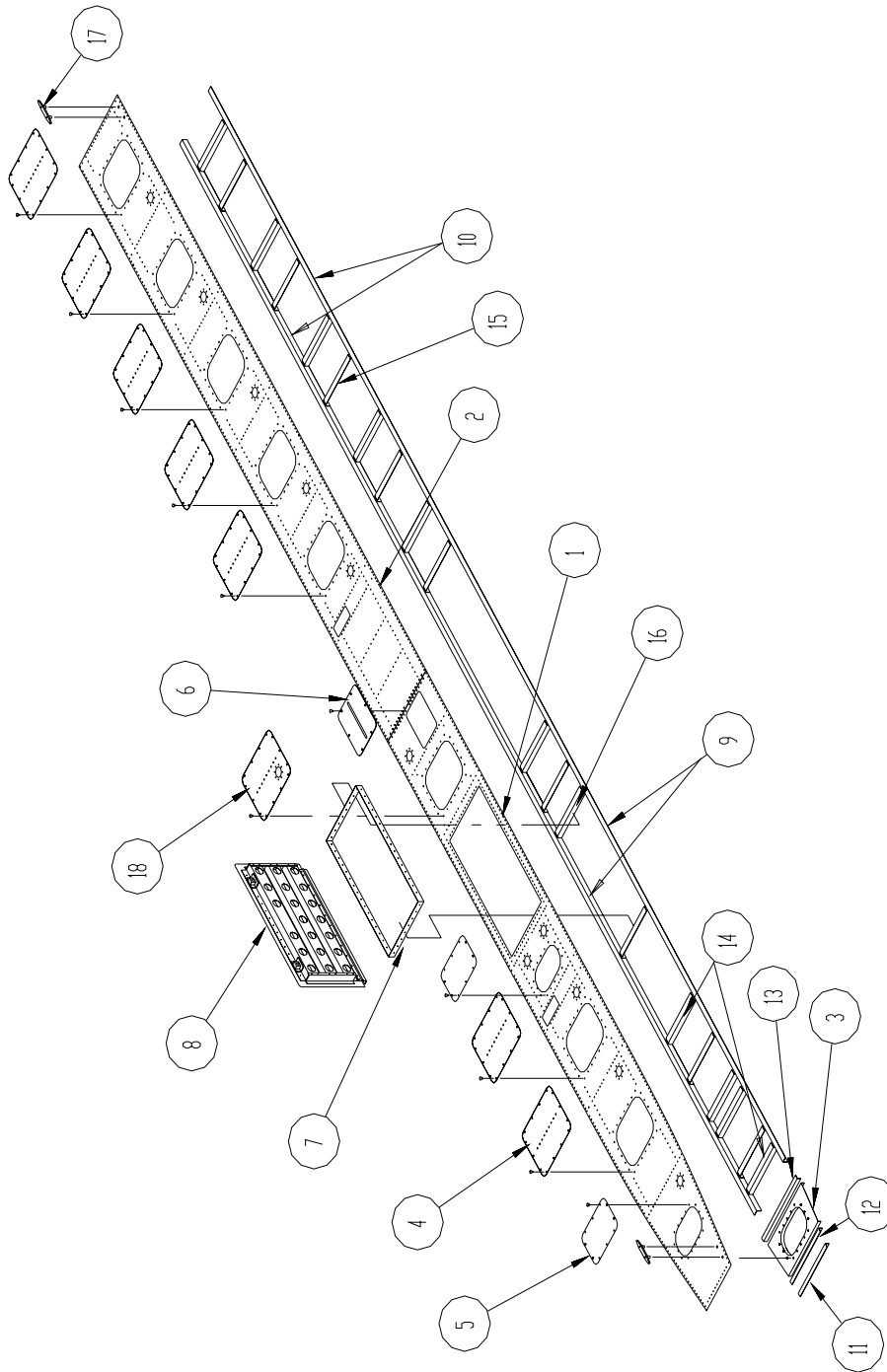
<u>REF NO.</u>	<u>NO.</u>	<u>REQ.</u>	<u>PART DESCRIPTION</u>	<u>PART NO.</u>
	2		STIFFENER	30A01340-135
	2		STIFFENER	30A01340-136
20	1		SIDE SKIN – MIDDLE L. OUTBR'D	34S01148-031
	1		SIDE SKIN – MIDDLE R. OUTBR'D	34S01148-032
	1		SIDE SKIN – MIDDLE L. INBR'D	34S01148-029
	1		SIDE SKIN – MIDDLE R. INBR'D	34S01148-030
	1		STIFFENER	30A01340-137
	1		STIFFENER	30A01340-152
	1		STIFFENER	30A01340-138
	3		STIFFENER	30A01340-139
21	1		SIDE SKIN – AFT L. OUTBR'D	34A01148-025
	1		SIDE SKIN – AFT R. OUTBR'D	34A01148-026
	1		SIDE SKIN – AFT L. INBR'D	34A01148-021
	1		SIDE SKIN – AFT R. INBR'D	34A01148-022
	1		STIFFENER	30A01340-140
	1		STIFFENER	30A01340-141
	1		STIFFENER	30A01340-142
	1		STIFFENER	30A01340-143
	1		STIFFENER	30A01340-144
	1		STIFFENER	34A01340-147
			<u>NOTE:</u> DIFFERENCE BETWEEN R. AND L. IS FINISH	
22	1		BOTTOM SKIN FWD L.	30A01151-103
	1		BOTTOM SKIN FWD R.	30A01151-102
	2		BOTTOM SKIN SPLICE – AFT	34A01150-145
23	1		BOTTOM SKIN AFTERBODY L.	34S01148-039
	1		BOTTOM SKIN AFTERBODY R.	34S01148-040
24	1		DOUBLER – GUNWALL AFT L.	34A01162-054
	1		DOUBLER – GUNWALL AFT R.	34A01162-055
25	1		DOUBLER – GUNWALL FWD L.	30A01162-045

WIPLINE MODEL 3450 FLOAT PARTS MANUAL

HULL ASSEMBLY - SEAPLANE, FIGURE 2

<u>REF NO.</u>	<u>NO.</u>	<u>REQ.</u>	<u>PART DESCRIPTION</u>	<u>PART NO.</u>
	1		DOUBLER – GUNWALL FWD R.	30A01162-046
26	1		TUBE – SPR. BAR MOUNTING R.	30A03319-001
	1		TUBE – SPR. BAR MOUNTING L.	30A03319-002
	6		BOLT	AN4-22A
	12		WASHER	NAS1149D0416J
	12		WASHER	NAS1149D0463J
	6		NUT	MS21044N4
27	1		GUNWALL CAP (OUTBOARD L)	34A01162-049
	1		GUNWALL CAP (OUTBOARD R) (NOT SHOWN)	34A01162-050
28	2		BAGGAGE REINFORCEMENT	34A01005-385
	4		ANGLE	34A01340-173
	4		ANGLE	34A01340-174
29	2		BAGGAGE REINFORCEMENT	34A01005-384
	4		ANGLE	34A01340-173
	4		ANGLE	34A01340-174
30	2		BAGGAGE REINFORCEMENT	34A01005-383
	4		ANGLE	34A01340-173
	4		ANGLE	34A01340-174

WIPLINE MODEL 3450 FLOAT PARTS MANUAL



TOP SKIN – HULL – AMPHIBIAN
FIGURE 3

WIPLINE MODEL 3450 FLOAT PARTS MANUAL

TOP SKIN - HULL – AMPHIBIAN, FIGURE 3

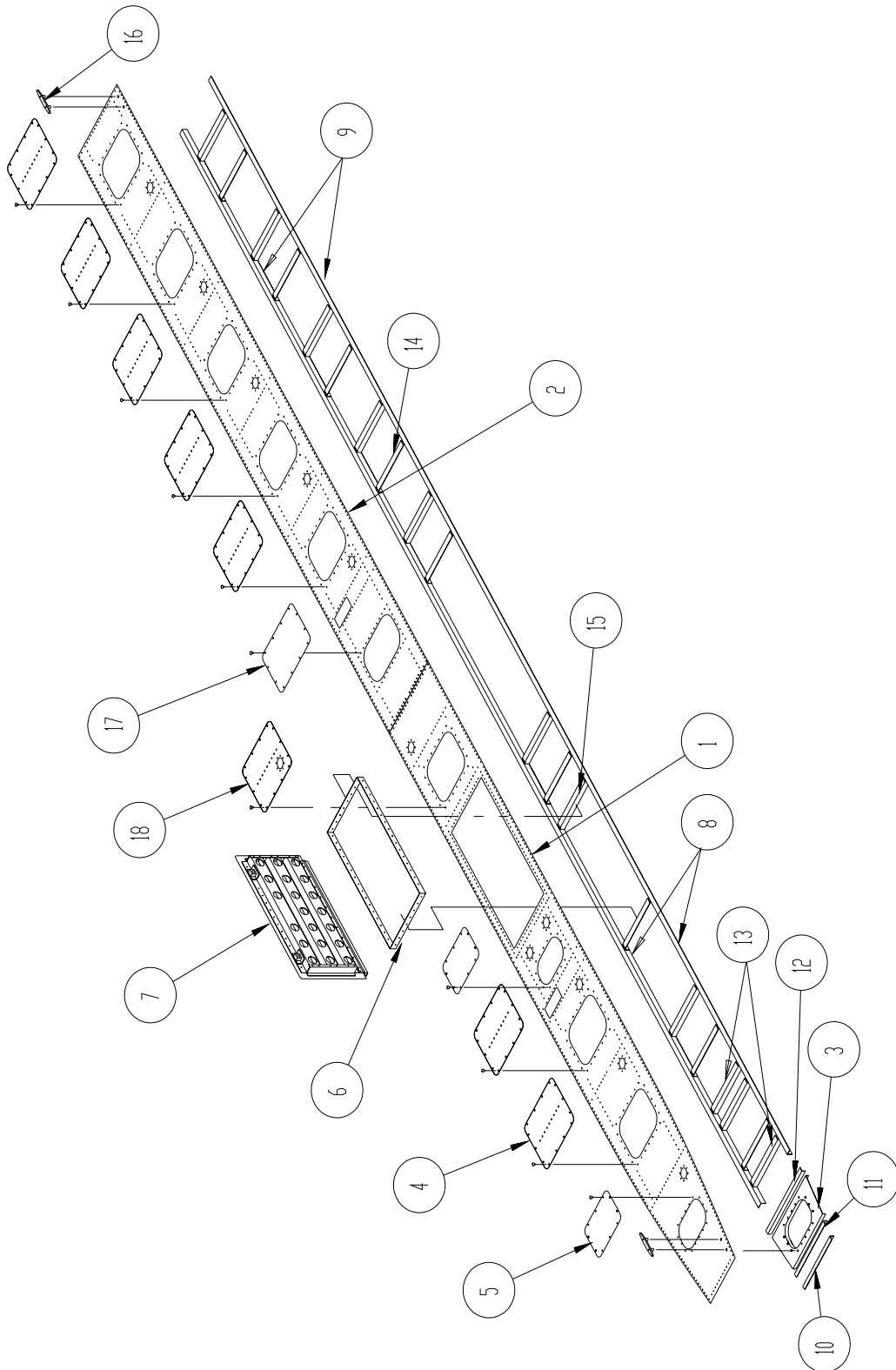
REF NO.			
<u>NO.</u>	<u>REQ.</u>	<u>PART DESCRIPTION</u>	<u>PART NO.</u>
1	1	SKIN – FWD SECTION L.	34A01148-015
	1	SKIN – FWD SECTION R.	34A01148-016
2	1	SKIN – AFT SECTION L.	34A01148-017
	1	SKIN – AFT SECTION R.	34A01148-018
3	1	SUPPORT – INSP. COVER – SMALL	21A01002-131
		A/R NUT – TINNERMAN	9A3-671
		A/R TAPE – INSULATOR	COMM.
4	7	INSP. COVER – LARGE - W/ ANGLE & GASKETS	21A01000-258
		A/R SCREW – ATTACH	#8 X 5/8
	7	SEAL – GASKET ONLY	1001437
5	2	INSP. COVER – SMALL & GASKETS	21A01000-284
		A/R SCREW – ATTACH	#8 X 5/8
	2	SEAL – GASKET ONLY	1001728
6	1	COVER – GEAR INDICATOR L.	30A01002-203
	1	COVER – GEAR INDICATOR R.	30A01002-202
	1	PLACARD – DOWN - LAND	10A3-6338-1
	1	PLACARD – UP - WATER	10A3-6338-2
	2	SCREW – CAM - LOK	2600-4
	4	SCREW – CAM – LOK	2600-5
	6	RECEPTACLE – CAM – LOK	212-12N
7	1	JAMB – BAGGAGE DOOR	30A01162-042
	1	JAMB – BAGGAGE DOOR, HINGE SIDE	1001573
8	1	ASSY – BAGGAGE DOOR	30A01000-324
	1	COVER - SKIN	30A01162-041
	1	HINGE	30A01741-005
	1	STIFFENER – DOOR	30A01004-145
	2	STIFFENER - DOOR	30A01004-144
	2	STIFFENER ENDS	4A01004-049

WIPLINE MODEL 3450 FLOAT PARTS MANUAL

TOP SKIN - HULL – AMPHIBIAN, FIGURE 3

<u>REF NO.</u>	<u>NO.</u>	<u>REQ.</u>	<u>PART DESCRIPTION</u>	<u>PART NO.</u>
	2		RETAINER - LOCK	3A01206-001
	2		LOCK PIN	3A01273-004
	2		CATCH – LATCH	3A01702-001
	2		LOCK SPRING	3A01525-003
	2		RING – OPENING	9-0177A221
	1		SEAL – GASKET (NOT SHOWN)	1001499
9	1		TOP RAIL – FWD L.	34A01326-031
	1		TOP RAIL – FWD R.	34A01326-032
10	1		TOP RAIL – AFT L.	34A01326-033
	1		TOP RAIL – AFT R.	34A01326-034
11	1		STIFFENER	30A01340-175
12	1		STIFFENER	30A01340-176
13	1		STIFFENER	30A01340-177
14	2		STIFFENER	30A01326-032
15	A/R		STIFFENER	30A01326-022
16	2		STIFFENER – BAGGAGE DOOR	30A01326-030
17	2		CLEAT – TIE DOWN	30A01213-007
	4		BOLT	AN4-7A
	4		WASHER	NAS1149D0463J
	4		NUT	MS21083N4
18	1		INSP. COVER – LRG. W/ ANGLE, & GASKET LEFT	30A01000-359
			INSP. COVER – LRG. W/ ANGLE, & GASKET RT.	30A01000-360
			A/R SCREW – ATTACH	#8 X 5/8
	1		GASKET ONLY	1001437

WIPLINE MODEL 3450 FLOAT PARTS MANUAL



TOP SKIN - HULL - SEAPLANE
FIGURE 4

WIPLINE MODEL 3450 FLOAT PARTS MANUAL

TOP SKIN - HULL – SEAPLANE, FIGURE 4

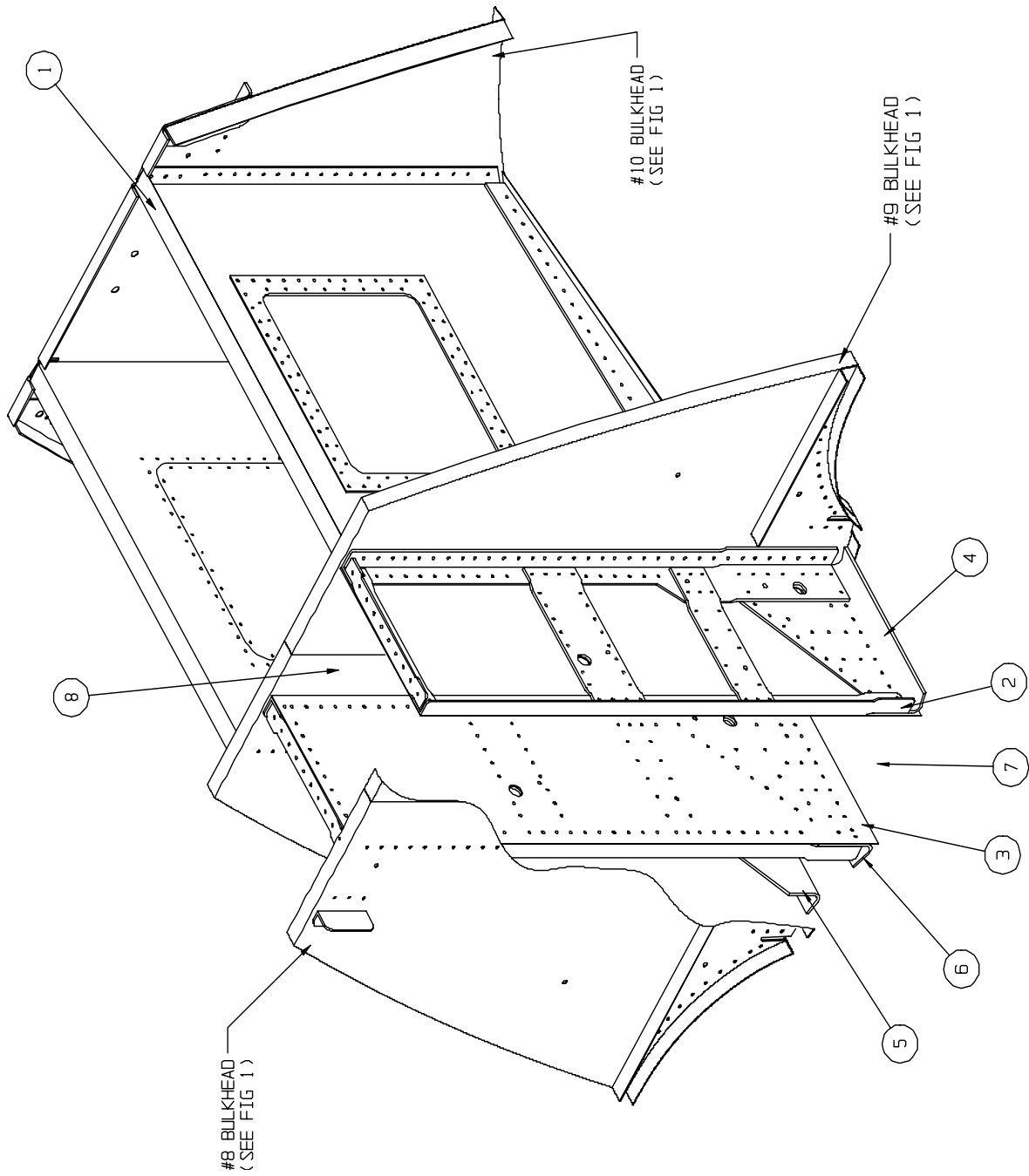
<u>REF NO.</u>	<u>NO.</u>	<u>REQ.</u>	<u>PART DESCRIPTION</u>	<u>PART NO.</u>
1	1		SKIN – FWD SECTION L.	34A01148-041
	1		SKIN – FWD SECTION R.	34A01148-042
2	1		SKIN – AFT SECTION L.	34S01148-043
	1		SKIN – AFT SECTION R.	34S01148-044
3	1		SUPPORT – INSP. COVER – SMALL	21A01002-131
			A/R NUT – TINNERMAN	9A3-671
			A/R TAPE – INSULATOR	COMM.
4	9		INSP. COVER – LARGE - W/ ANGLE & GASKETS	21A01000-258
			A/R SCREW – ATTACH	#8 X 5/8
	9		SEAL – GASKET ONLY	1001437
	2		STIFFENERS – ANGLE	30S01326-035
5	2		INSP. COVER – SMALL & GASKETS	21A01000-284
			A/R SCREW – ATTACH	#8 X 5/8
	2		SEAL – GASKET ONLY	1001728
6	1		JAMB – BAGGAGE DOOR	30A01162-042
	1		JAMB – BAGAGE DOOR, HINGE SIDE	1001573
7	1		ASSY – BAGGAGE DOOR	30A01000-324
	1		COVER - SKIN	30A01162-041
	1		HINGE	30A01741-005
	1		STIFFENER – DOOR	30A01004-145
	2		STIFFENER - DOOR	30A01004-144
	2		STIFFENER ENDS	4A01004-049
	2		RETAINER - LOCK	3A01206-001
	2		LOCK PIN	3A01273-004
	2		CATCH – LATCH	3A01702-001
	2		LOCK SPRING	3A01525-003
	2		RING – OPENING	9-0177A221
	1		SEAL – GASKET (NOT SHOWN)	1001499

WIPLINE MODEL 3450 FLOAT PARTS MANUAL

TOP SKIN - HULL – SEAPLANE, FIGURE 4

<u>REF NO.</u>	<u>NO.</u>	<u>REQ.</u>	<u>PART DESCRIPTION</u>	<u>PART NO.</u>
8	1		TOP RAIL – FWD L.	34A01326-031
	1		TOP RAIL – FWD R.	34A01326-032
9	1		TOP RAIL – AFT L.	34A01326-033
	1		TOP RAIL – AFT R.	34A01326-034
10	1		STIFFENER	30A01340-175
11	1		STIFFENER	30A01340-176
12	1		STIFFENER	30A01340-177
13	2		STIFFENER	30A01326-032
14	A/R		STIFFNER	30A01326-022
15	1		STIFFENER – BAGGAGE DOOR	30A01326-030
16	2		CLEAT – TIE DOWN	21A01213-007
	4		WASHER	NAS1149D0463J
	4		NUT	MS21083N4
17	1		INSP. COVER – MED. W/ GASKET	30S01000-409
			A/R SCREW ATTACH	#8 X 5/8
	1		GASKET ONLY	1002110
18	1		INSP. COVER – LRG. W/ ANGLE & GASKET LEFT	30A01000-354
			INSP. COVER – LRG. W/ ANGLE & GASKET RIGHT	30A01000-360
			A/R SCREW ATTACH	#8 X 5/8
	1		GASKET	1001437

WIPLINE MODEL 3450 FLOAT PARTS MANUAL



WHEELWELL – ASSEMBLY - AMPHIBIAN
FIGURE 5

WIPLINE MODEL 3450 FLOAT PARTS MANUAL

WHEELWELL ASSEMBLY – AMPHIBIAN, FIGURE 5

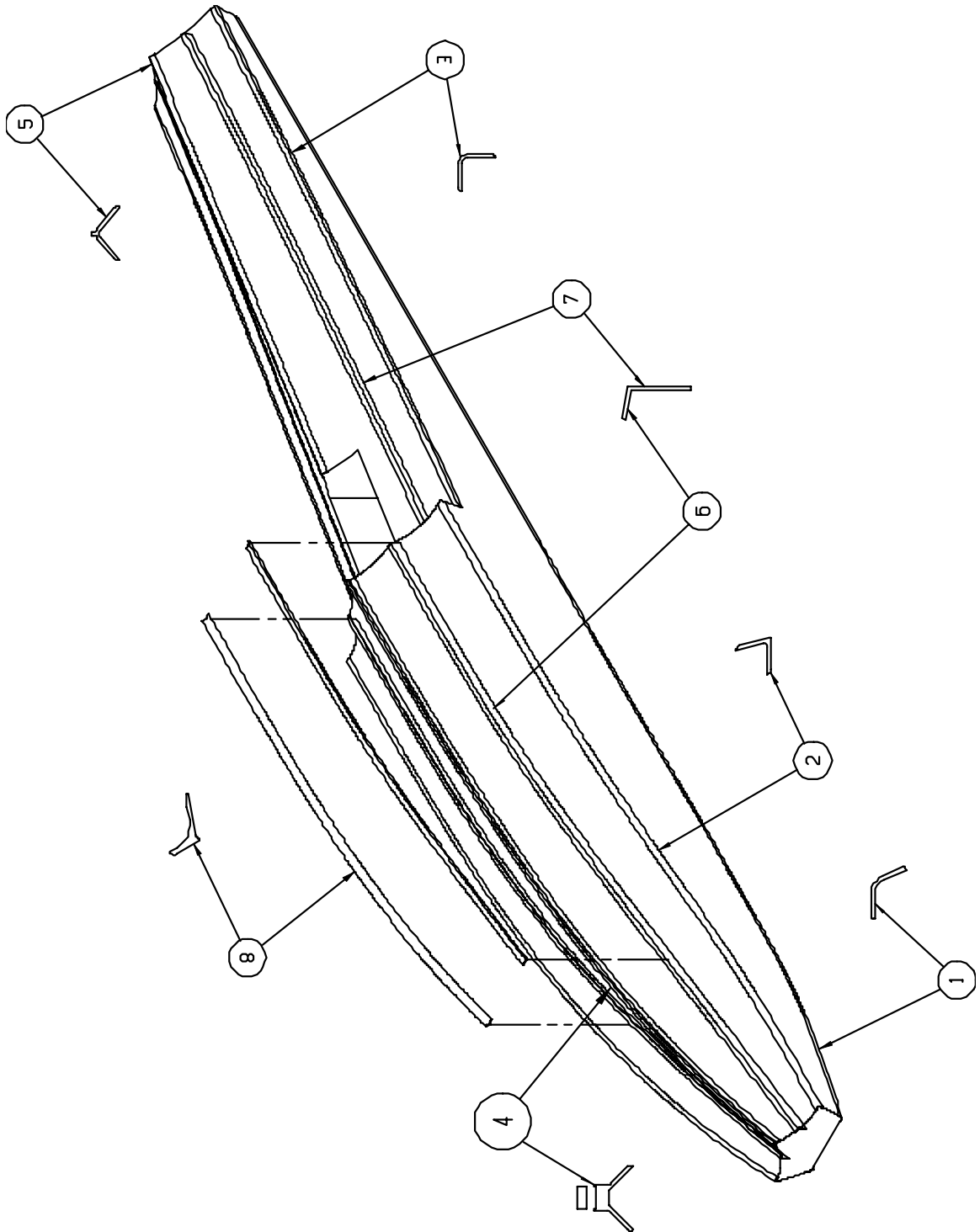
<u>REF NO.</u>	<u>NO.</u>	<u>REQ.</u>	<u>PART DESCRIPTION</u>	<u>PART NO.</u>	
1	1		ASS'Y – WHEELWELL HALF L.	30A01000-349	
	1		PANEL – FORMED L.	30A01158-235	
	1		RING – COVER REINFORCEMENT	13A01156-124	
	1		COVER	21A01004-101	
	28		SCREW	AN526-632R6	
	1	1		ASS'Y – WHEELWELL HALF R.	30A01000-348
		1		PANEL – FORMED R.	30A01158-234
		1		RING – COVER REINFORCEMENT	13A01156-124
		1		COVER	21A01004-101
		28		SCREW	AN526-632R6
		2	1		ASS'Y – WHEELWELL PANEL – OUTBR'D L.
	1			ASS'Y - WHEELWELL PANEL – OUTBR'D R.	30A01000-350
	3	1		ASS'Y – WHEELWELL PANEL – INBR'D L.	30A01000-347
		1		ASS'Y - WHEELWELL PANEL – INBR'D R.	30A01000-346
4	1		CARRY-THRU STRAP OUTBR'D L.	30A01156-139	
	1		CARRY-THRU STRAP OUTBR'D R.	30A01156-142	
5	1		CARRY-THRU STRAP INBR'D L.	30A01156-141	
	1		CARRY-THRU STRAP INBR'D R.	30A01156-140	
6	1		CARRY-THRU STRAP INBR'D L.	30A01156-143	
	1		CARRY-THRU STRAP INBR'D R.	30A01156-138	
	1		ANGLE – ATTACH AFT L.	30A01156-145	
	1		ANGLE – ATTACH AFT R.	30A01156-150	
	1		SHIM	30A01160-004	
	2		ANGLE – ATTACH FWD	21A01326-015	
7	1		SAND GUARD (NOT SHOWN) L.	30A01150-139	
	1		SAND GUARD (NOT SHOWN) R.	30A01150-140	
	8		SCREW	AN526-1032R8	
8	1		MUD FLAP (NOT SHOWN)	30A01569-002	

WIPLINE MODEL 3450 FLOAT PARTS MANUAL

WHEELWELL ASSEMBLY – AMPHIBIAN, FIGURE 5

<u>REF NO.</u>	<u>NO. REQ.</u>	<u>PART DESCRIPTION</u>	<u>PART NO.</u>
	1	REINFORCEMENT	30A01150-141

WIPLINE MODEL 3450 FLOAT PARTS MANUAL



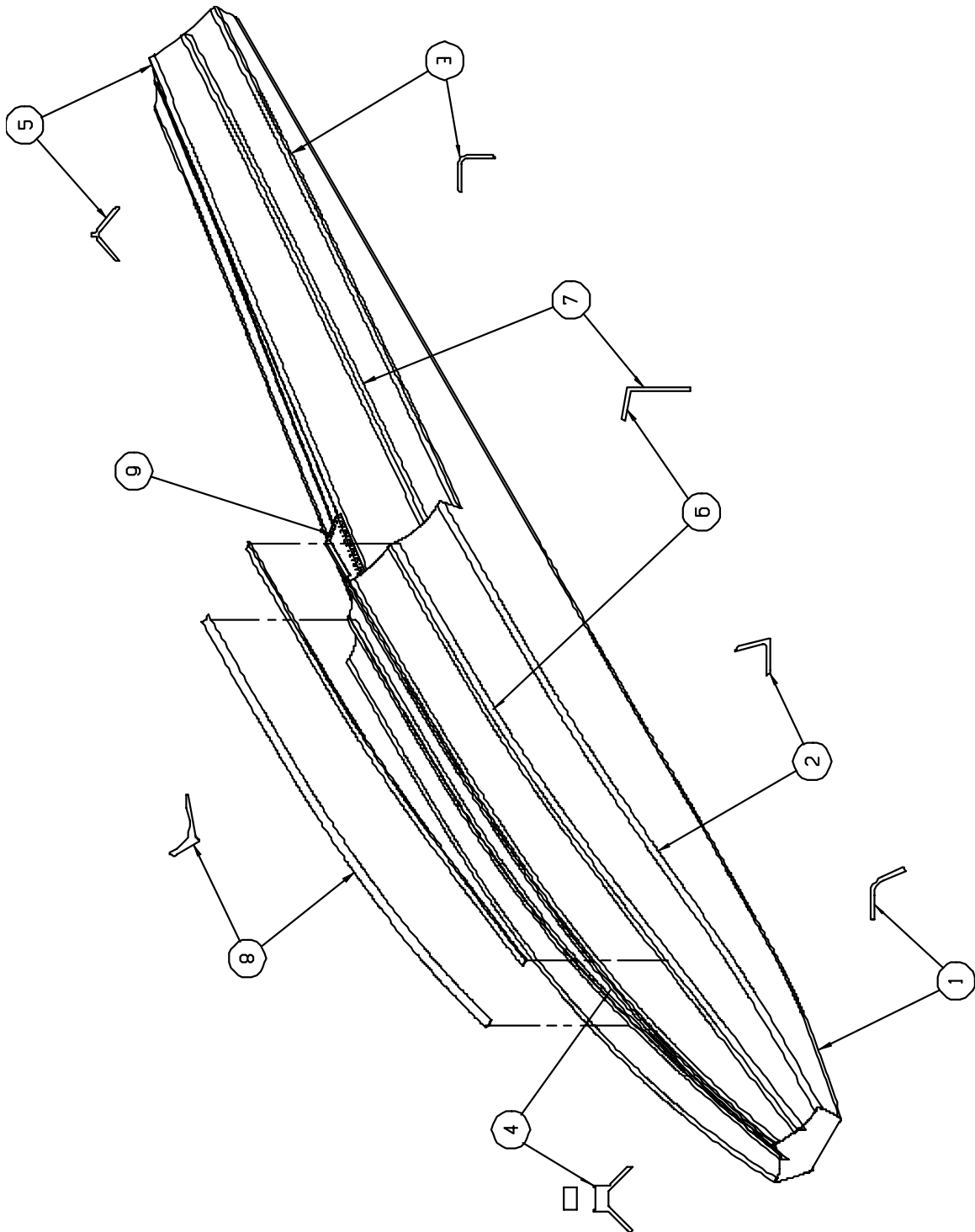
EXTRUSIONS – HULL – AMPHIBIAN
FIGURE 6

WIPLINE MODEL 3450 FLOAT PARTS MANUAL

EXTRUSIONS - HULL – AMPHIBIAN, FIGURE 6

<u>REF. NO.</u>	<u>NO.</u>	<u>REQ.</u>	<u>PART DESCRIPTION</u>	<u>PART NO.</u>
1	1		GUNWALL – L. INBOARD	34A01324-007
	1		GUNWALL – R. INBOARD	34A01324-008
	1		GUNWALL – L. OUTBOARD	34A01324-009
	1		GUNWALL – R. OUTBOARD	34A01324-010
2	1		CHINE - FWD L.	34A01394-145
	1		CHINE – FWD R.	34A01394-0146
3	1		CHINE – AFTERBODY L.	34A01395-003
	1		CHINE – AFTERBODY R.	34A01395-004
4	1		KEEL - MAIN	34A01377-002
5	1		KEEL - AFTERBODY	34A01425-002
6	1		SISTER KEEL – FWD L.	34A01361-041
	1		SISTER KEEL – FWD R.	34A01361-042
7	1		SISTER KEEL – AFT L.	34A01361-043
	1		SISTER KEEL – AFT R.	34A01361-044
8	1		SISTER KEEL – OUTER L.	34A01342-011
	1		SISTER KEEL – OUTER R.	34A01342-012

WIPLINE MODEL 3450 FLOAT PARTS MANUAL



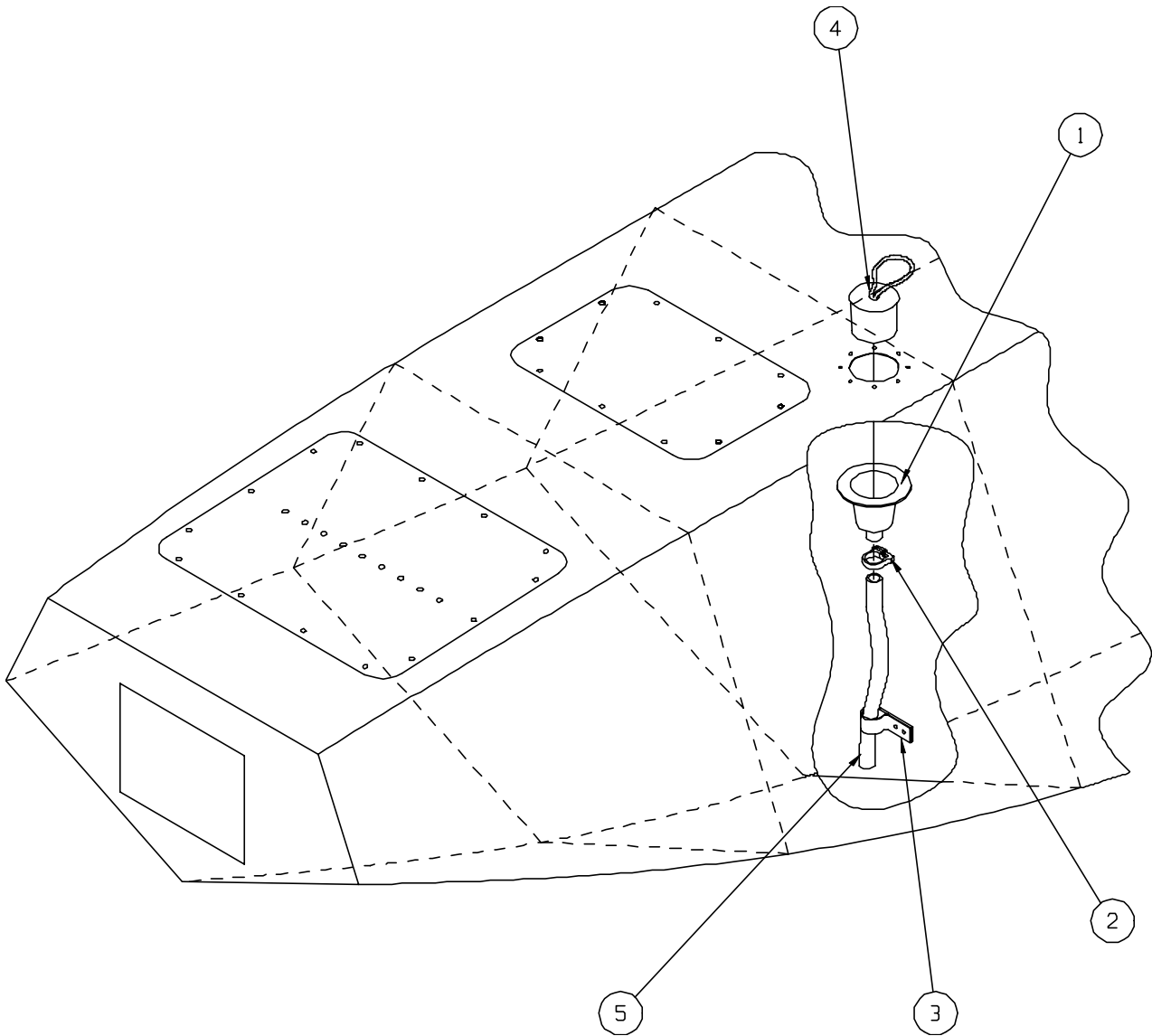
EXTRUSIONS – HULL – SEAPLANE
FIGURE 7

WIPLINE MODEL 3450 FLOAT PARTS MANUAL

EXTRUSIONS - HULL – SEAPLANE, FIGURE 7

<u>REF. NO.</u>	<u>NO.</u>	<u>REQ.</u>	<u>PART DESCRIPTION</u>	<u>PART NO.</u>
1	1		GUNWALL – L. INBOARD	34A01324-007
	1		GUNWALL – R. INBOARD	34A01324-008
	1		GUNWALL – L. OUTBOARD	34A01324-009
	1		GUNWALL – R. OUTBOARD	34A01324-010
2	1		CHINE - FWD L.	34A01394-145
	1		CHINE – FWD R.	34A01394-146
3	1		CHINE – AFTERBODY L.	34A01395-003
	1		CHINE – AFTERBODY R.	34A01395-004
4	1		KEEL - MAIN	34A01377-002
5	1		KEEL - AFTERBODY	34S01425-002
6	1		SISTER KEEL – FWD L.	34A01361-041
	1		SISTER KEEL – FWD R.	34A01361-042
7	1		SISTER KEEL – AFT L.	34S01361-045
	1		SISTER KEEL – AFT R.	34S01361-046
8	1		SISTER KEEL – OUTER L.	34A01342-011
	1		SISTER KEEL – OUTER R.	34A01342-012
9	1		ANGLE SUPPORT – AFTERBODY L.	30S01163-085
	1		ANGLE SUPPORT – AFTERBODY R.	30S01163-086

WIPLINE MODEL 3450 FLOAT PARTS MANUAL



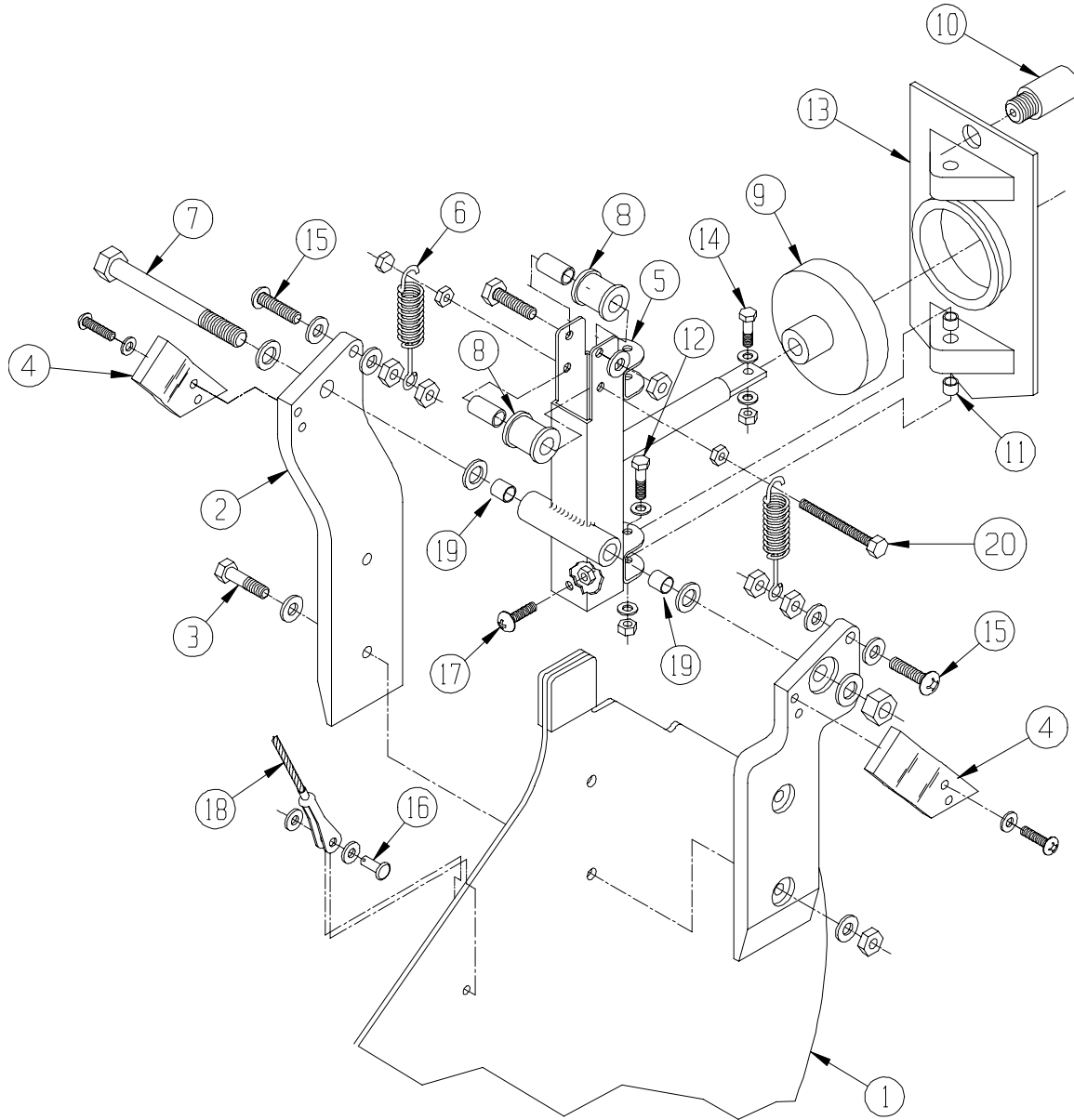
PUMPER TUBE INSTALLATION
FIGURE 8

WIPLINE MODEL 3450 FLOAT PARTS MANUAL

PUMPER TUBE INSTALLATION, FIGURE 8

<u>REF. NO.</u>	<u>NO. REQ.</u>	<u>PART DESCRIPTION</u>	<u>PART NO.</u>
1	1	CUP – PUMPOUT ALUM. A/R RIVETS	4A01749-001 AN470AD4-4
2	1	CLAMP – UPPER END	SNP16-10
3	1	CLAMP – LOWER END	3A01158-003
4	1	STOPPER – PUMPER TUBE	2111
5	1	PUMPOUT TUBE 18.5 IN.	30A01618-064
	1	PUMPOUT TUBE 24.5	30A01618-065
	1	PUMPOUT TUBE 26.5	30A01618-066
	1	PUMPOUT TUBE 29.0	30A01618-067
	1	PUMPOUT TUBE 23.0	30A01618-068
	1	PUMPOUT TUBE 26.5	30A01618-069
	1	PUMPOUT TUBE 22.0	30A01618-070
	1	PUMPOUT TUBE 18.0	30A01618-071
	1	PUMPOUT TUBE 15.5	30A01618-072
	1	PUMPOUT TUBE 12.5	30A01618-073
	1	PUMPOUT TUBE 25.0	30A01618-074

WIPLINE MODEL 3450 FLOAT PARTS MANUAL



INSTALLATION WATER RUDDER
FIGURE 9

WIPLINE MODEL 3450 FLOAT PARTS MANUAL

INSTALLATION WATER RUDDER, FIGURE 9

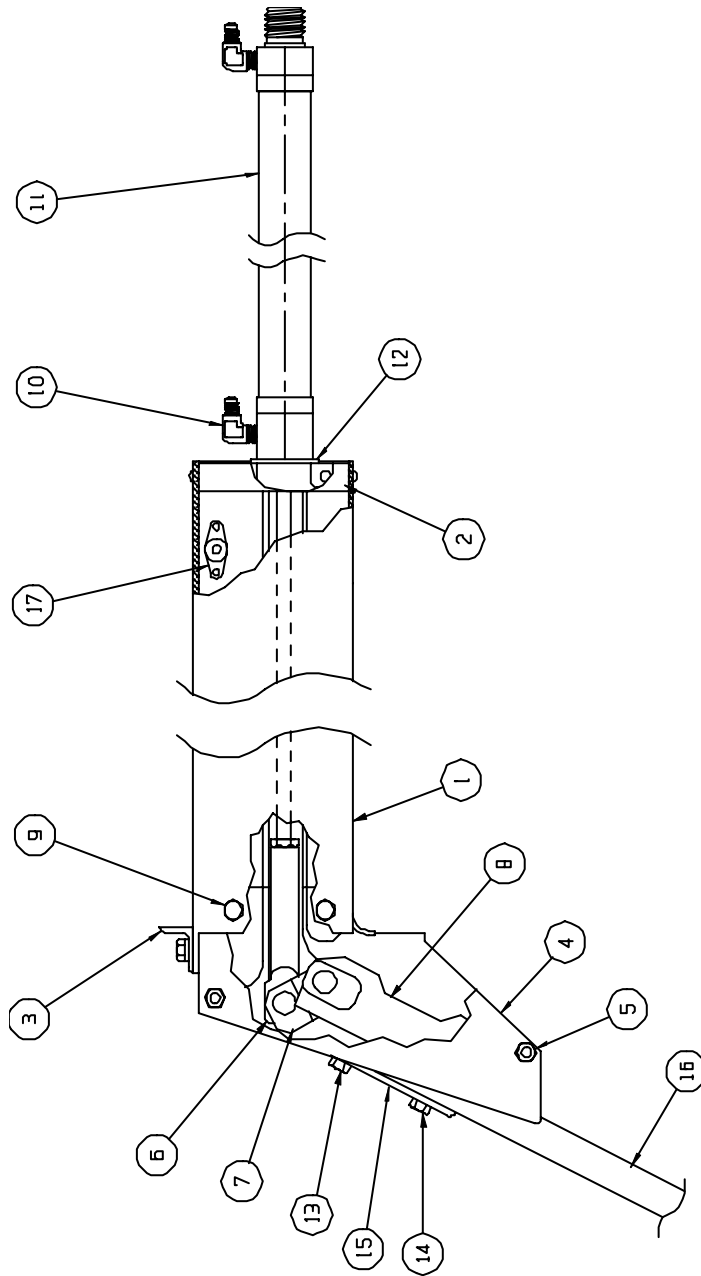
<u>REF NO.</u>	<u>NO.</u>	<u>REQ.</u>	<u>PART DESCRIPTION</u>	<u>PART NO.</u>
1	1		ASS'Y - BLADE	4A08000-094
	1		BLADE	4A08000-062
2	1		ARM – BLADE – L.H.	4A08197-009
	1		ARM – BLADE – R.H.	4A08197-008
3	2		BOLT – ARM ATTACH	AN4-10A
			A/R WASHER	NAS1149D0463J
	2		NUT	H10-4
4	2		RUDDER STOP - UP	4A08205-003
	4		SCREW	AN526-1032R10
	4		WASHER - LOCK	MS35333-39
5	1		ASS'Y – WATER RUDDER PIVOT	4A08000-097
6	2		SPRING - RETRACT	4A08525-004
7	1		BOLT – WATER RUDDER HINGE	AN6C34A
			A/R WASHER	NAS1149D0663J
	1		NUT	MS21083N6
8	2		ROLLER – RETRACT CABLE - LOWER	3A08606-001
	2		BUSHING - ROLLER	3A08502-001
	2		BOLT – ROLLER (HEX HD. S.S.)	10/32 X 2”
	6		NUT	H10-3
9	1		BOOT – WATER RUDDER	3A08650-001
10	1		GUIDE – WATER RUDDER CABLE	3A08605-001
11	4		BEARING	03DU-04
12	2		BOLT – RUDDER POST HINGE	AN3C10A
			A/R WASHER	NAS1149D0363J

WIPLINE MODEL 3450 FLOAT PARTS MANUAL

INSTALLATION WATER RUDDER, FIGURE 9

<u>REF NO.</u>	<u>NO.</u>	<u>REQ.</u>	<u>PART DESCRIPTION</u>	<u>PART NO.</u>
	2		NUT	H10-3
13	1		CASTING – PIVOT – WATER RUDDER	4A01000-301
14	1		BOLT – RUDDER TO ARM ATTACH	AN3-6A
			A/R WASHER	NAS1149D0363J
	1		NUT	MS21044N3
15	2		SCREW – SPRING ATTACH	AN526-428R16
			A/R WASHER	NAS1149D0363J
	4		NUT	H10-3
16	1		PIN - CLEVIS	MS20392-2C11
			A/R WASHER	NAS1149D0316J
	1		COTTER PIN	MS24665-151
17	1		SCREW – RUDDER STOP - DOWN	AN526-1032R16
	1		NUT	H10-3
18	1		ASS'Y – CABLE – RETRACT	4A08000-072
19	2		BEARING – NYLINER (NOTE 4)	06DU08
20	1		BOLT	1032 X 2" SS

WIPLINE MODEL 3450 FLOAT PARTS MANUAL



ASSEMBLY – NOSE GEAR RETRACTION
FIGURE 10

WIPLINE MODEL 3450 FLOAT PARTS MANUAL

ASSEMBLY – NOSE GEAR RETRACTION, FIGURE 10

<u>REF NO.</u>	<u>NO.</u>	<u>REQ.</u>	<u>PART DESCRIPTION</u>	<u>PART NO.</u>
1	1		ASS'Y – NOSE BOX	30A07000-017
	1		NOSE – BOX	30A07323-002
	1		COVER – ACCESS	8A01008-080
	1		GASKET	30A07567-011
	4		SCREW	AN526-1032R4
2	1		END – CAP - AFT	21A07237-002
3	1		ANGLE	21A07359-194
	2		BOLT	AN4-6A
	2		WASHER	NAS1149D0463J
	2		WASHER	NAS1149D0416J
	2		NUT	MS21044N4
4	1		TRACK – NOSE END L.	21A07349-003
	1		TRACK – NOSE END R.	21A07349-004
5	2		BOLT	AN4-53A
	4		WASHER	NAS1149D0416J
	2		NUT	NAS5679-A4W
6	1		ROD END - RAM	21A07094-002
	1		NUT - JAMB	AN316-5R
7	1		LINK – DOWN LOCK	21A07032-005
	1		AXLE – SHAFT	21A07509-007
	2		ROLLER	3A07530-001
	2		SNAP RING	5100-46-H
8	1		TROLLEY – SPRING ATTACH	21A07187-009
	2		AXLES - SHAFT	34A07509-008
	4		BLOCK - SLIDE	3A07604-001
9	4		BOLT	AN4-5A
	4		WASHER	NAS1149D0463J

WIPLINE MODEL 3450 FLOAT PARTS MANUAL

ASSEMBLY – NOSE GEAR RETRACTION, FIGURE 10

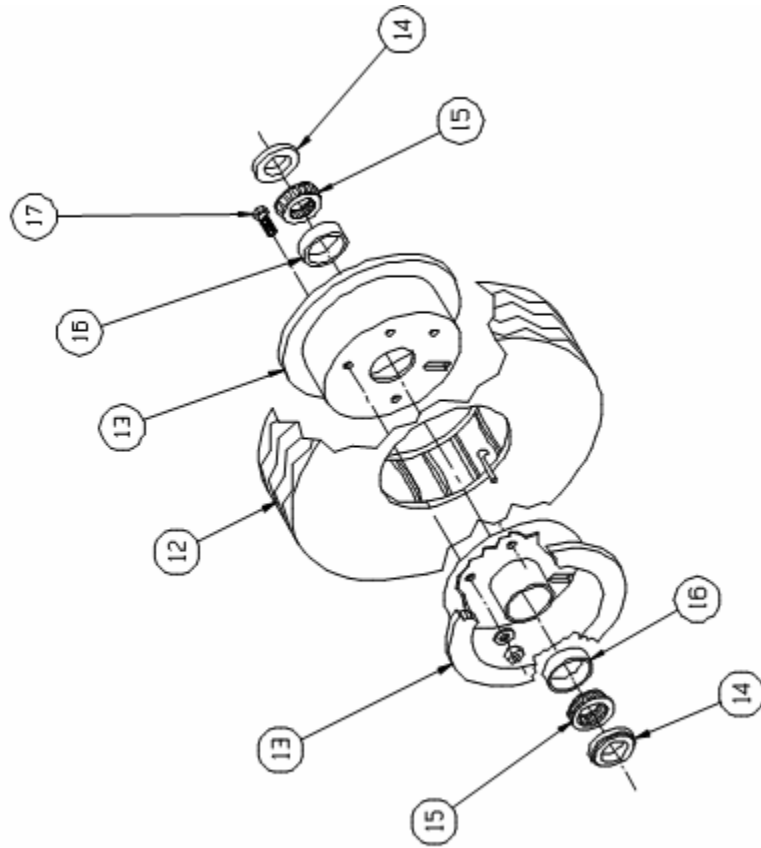
<u>REF NO.</u>	<u>NO.</u>	<u>REQ.</u>	<u>PART DESCRIPTION</u>	<u>PART NO.</u>
	4		WASHER	NAS1149D0416J
	4		NUT	NAS5679-A4W
10	2		ELBOW	MS20822-4D
11	1		HYDRAULIC CYLINDER	D-97270-A-15
12	A/R		WASHER	NAS1149D1416J
13	2		BOLT	AN5-21A
			A/R WASHER	NAS1149F0563P
	2		NUT	MS21044N5
14	2		BOLT	AN5-21A
			A/R WASHER	NAS1149F0563P
	2		NUT	MS21044N5
15	1		PLATE – BEARING UPPER	21A06166-001
16	1		NOSE SPRING (3450)	34A06656-001
17	2		NUT PLATE	F22NA1-048

WIPLINE MODEL 3450 FLOAT PARTS MANUAL

ASSEMBLY – NOSE GEAR LOWER, FIGURE 11

<u>REF NO.</u>	<u>NO.</u>	<u>REQ.</u>	<u>PART DESCRIPTION</u>	<u>PART NO.</u>
1	1		PIVOT BLOCK - NOSE GEAR	21A06318-005
2	1		SPRING BLOCK	21A06194-005
3	1		PRESSURE SPRING	21A06705-005
4	1		PRESSURE PLATE	21A06160-053
5	1		FRICITION CUP	21A06475-006
6	1		1/4" CHROME BALL BEARING	9528K15
7	1		BOLT	MS16997-60
8	1		1/4-20 NUT	MS35649-2252
9	4		SOCKET HEAD CAP SCREW	NAS1352-3-18P
10	4		WASHER STAR	MS35333-39
11	1		MODIFIED BOLT	30A06702-016
12	2		BOLT	AN5-16A
13	2		BOLT	AN5-20A
15	1		SPRING NOSE GEAR (3450)	34A06656-001
16	1		BEARING PLATE, LOWER, NOSE SPRING	21A06237-001
17	1		ASS"Y - PIVOT & FORK- NOSE GEAR	30A06000-024
18	1		TOW HOOK NOSE GEAR	21A06213-006
19	1		THRUST WASHER	3A06602-001
20	1		NOSE WHEEL PLUNGER	21A06605-002
21	1		SPRING	M62-350
22	2		COMMON GREASEZERK	1095K41
23	1		Nut	MS21044N4
24	2		WASHER	NAS1149D0463J
25	4		WASHER	NAS1149F0563P
26	4		WASHER	NAS1149F0532P
27	4		Nut	MS21044N5
28	1		O-RING	AN6227-9
31	1		MODIFIED WASHER	3A06702-003
32	1		BOLT - NOSE WHEEL AXLE	3A06702-002
33	1		PIN, ANTIROTATION	3A06476-001
34	1		WASHER	NAS1149D0863J
35	1		NUT	MS21083N8
36	2		SPACER - NOSE WHEEL - SMALL FLOAT	3A06259-001

WIPLINE MODEL 3450 FLOAT PARTS MANUAL



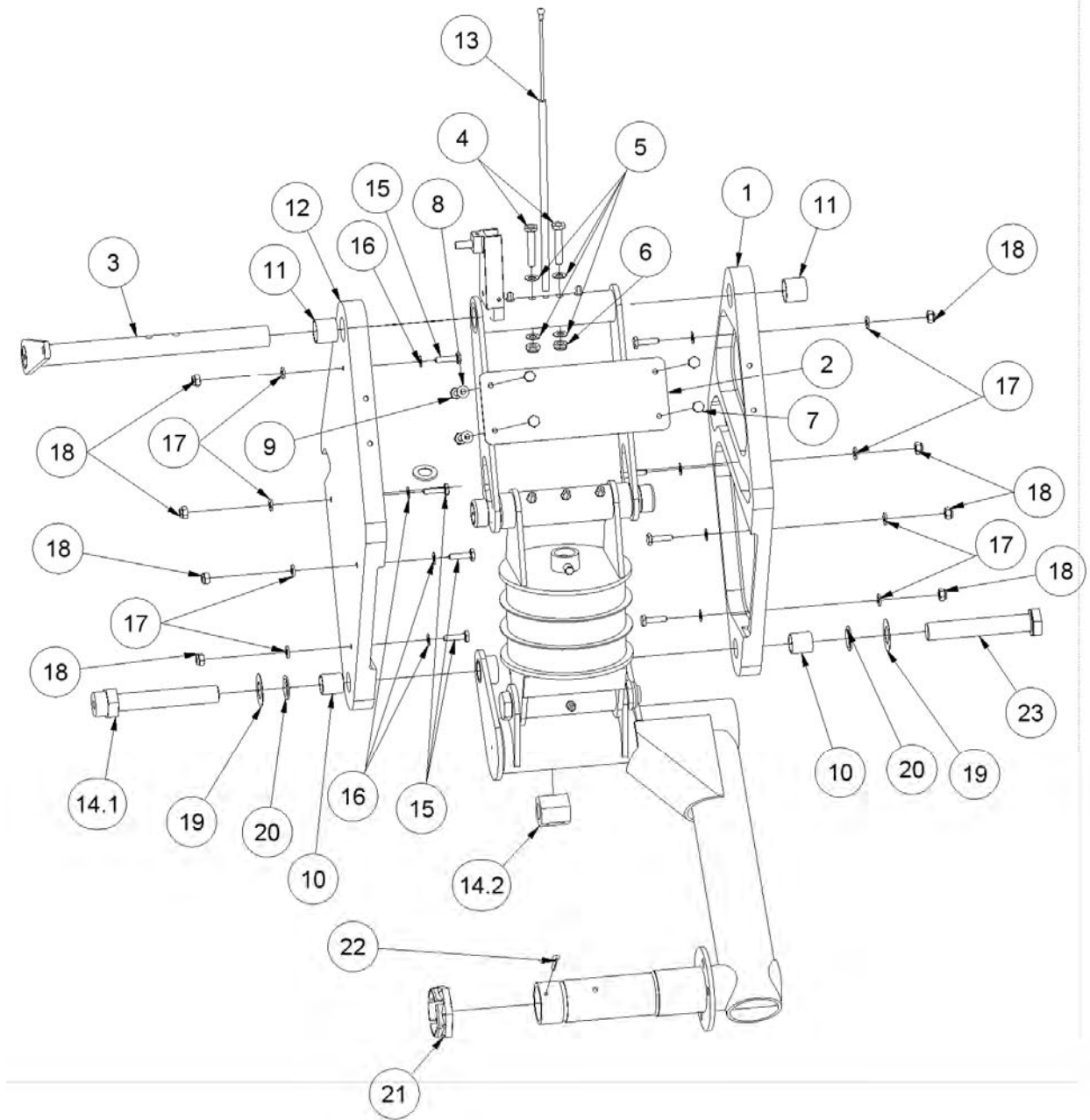
ASSEMBLY - NOSE WHEEL
FIGURE 12

WIPLINE MODEL 3450 FLOAT PARTS MANUAL

ASSEMBLY – NOSE WHEEL, FIGURE 12

<u>REF NO.</u>		<u>PART DESCRIPTION</u>	<u>PART NO.</u>
<u>NO.REQ.</u>			
12	1	TIRE	3.50 X 4, 4 PLY
	1	TUBE	4.10/3.50 X 4
13	1	WHEEL ASSEMBLY	D-30380
	1	GASKET (Between wheel halves)	068-30373
14	2	SPACER	3A06259-001
15	2	BEARING CONE	4050
		BEARING CONE, CHROME (OPT.)	4050CP
16	2	BEARING CUP	4138
		BEARING CUP, CHROME (OPT.)	4138CP
17	3	BOLT – WHEEL HALF	AN4-7A
	6	WASHER	NAS1149F0432P
	3	NUT	MS21044N4

WIPLINE MODEL 3450 FLOAT PARTS MANUAL



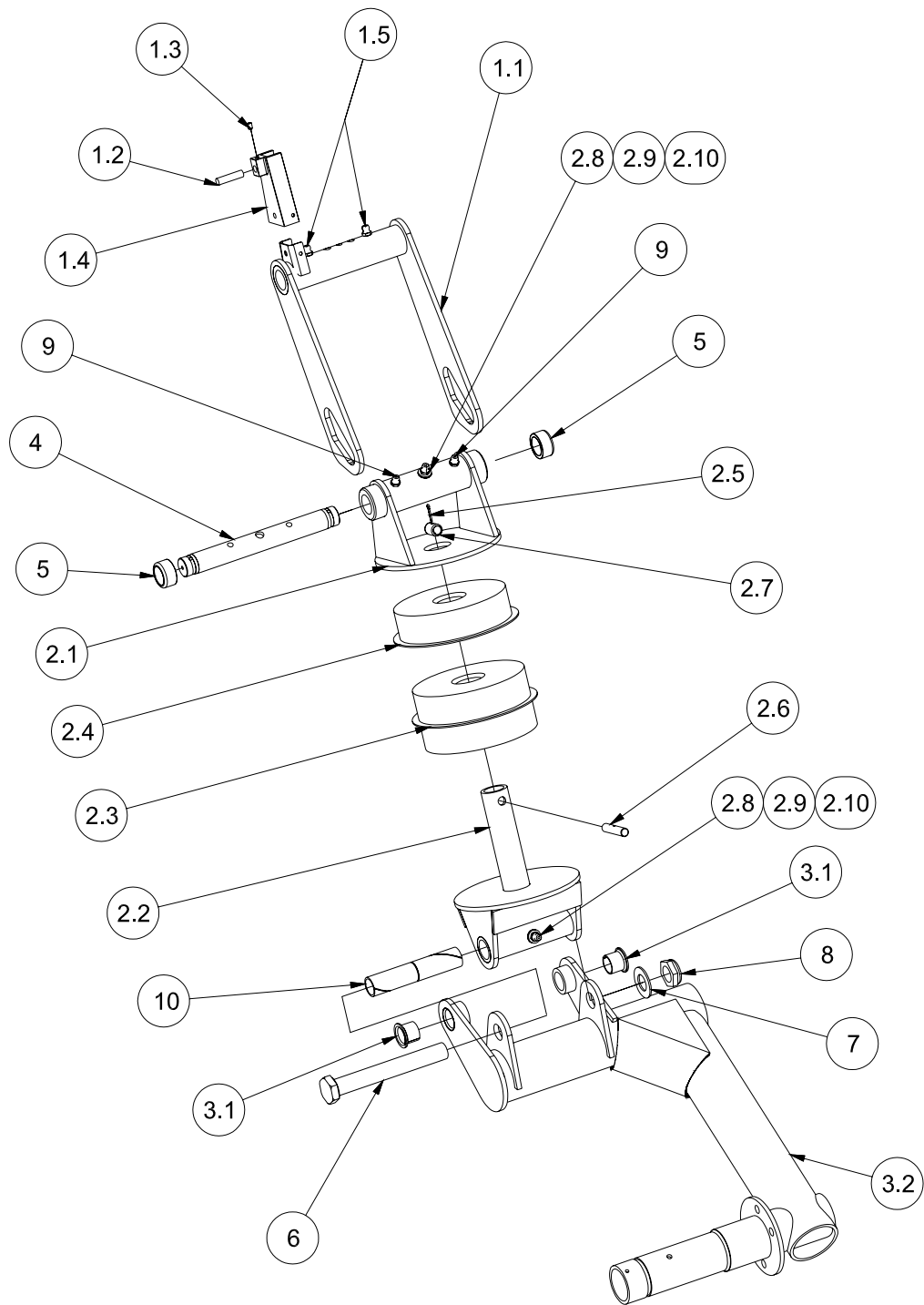
MAIN GEAR INSTALLATION
FIGURE 13

WIPLINE MODEL 3450 FLOAT PARTS MANUAL

MAIN GEAR INSTALLATION, FIGURE 13

<u>REF NO.</u>	<u>NO.</u>	<u>REQ.</u>	<u>PART DESCRIPTION</u>	<u>PART NO.</u>
1	1		TRACK - MAIN GEAR - RIGHT	30A05114-008
2	1		SPACING PLATE	30A05003-085
3	1		ASS"Y - ARM RETRACT	30A05000-039
4	2		BOLT	NAS6204-17
5	4		WASHER	NAS1149F0432P
6	2		NUT	MS21083N4
7	4		BOLT	AN3-5A
8	4		WASHER	NAS1149D0316J
9	4		Nut	MS21044N3
10	2		BUSHING	10DU12
11	2		BUSHING	12DU12
12	1		TRACK - MAIN GEAR - LEFT	30A05114-007
13	1		ASS"Y - ARM - GEAR INDICATOR	30A05000-027
14	1		MAIN GEAR BOLT ASS"Y - LOWER	30A05000-038
14.1	1		MODIFIED BOLT - DRAG LINK ATTACH	30A05558-001
14.2	1		COUPLING - MAIN GEAR	30A04574-001
15	8		BOLT	AN3-6A
16	8		WASHER	NAS1149D0316J
17	8		WASHER	NAS1149D0363J
18	8		Nut	MS21044N3
19	2		WASHER	NAS1149D1016J
20	2		SEALING WASHER	93783A033
21	1		NUT, AXLE	MS21025-24
22	1		COTTER PIN	MS24665-351
23	1		BOLT	NAS6210-52

WIPLINE MODEL 3450 FLOAT PARTS MANUAL



MAIN GEAR RETRACTION
FIGURE 14

WIPLINE MODEL 3450 FLOAT PARTS MANUAL

MAIN GEAR RETRACTION, FIGURE 14

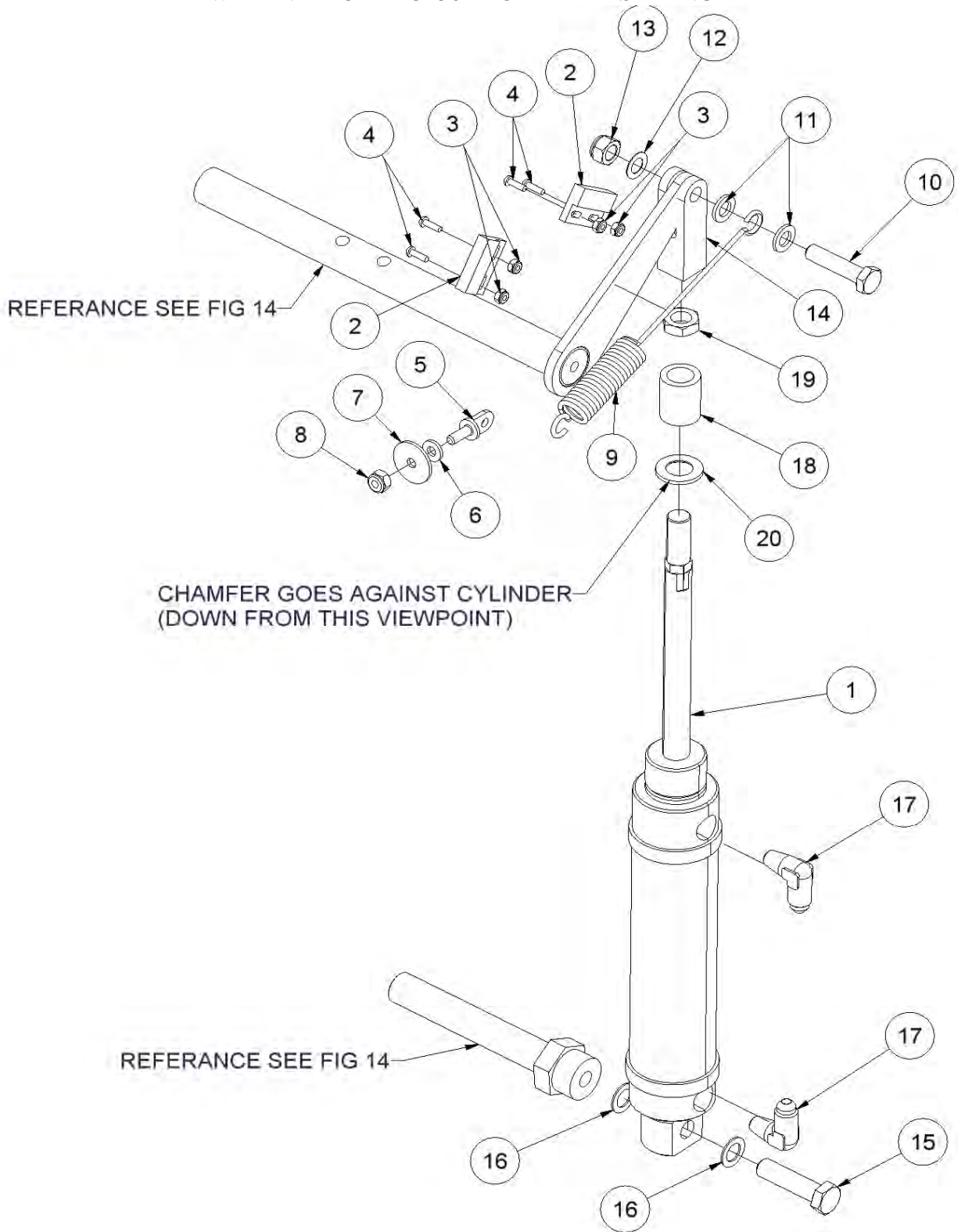
<u>REF NO.</u>	<u>NO.</u>	<u>REQ.</u>	<u>PART DESCRIPTION</u>	<u>PART NO.</u>
1	1		ASS"Y - ARM RETRACT - DRAG LINK	30A05000-042
1.1	1		ASS"Y - ARM RETRACT - DRAG LINK	30A05000-041
1.2	1		CYLINDRICAL MAGNET	4102
1.3	1		SET SCREW	1032 NFX 3/16
1.4	1		PROX. SWITCH HOLDER	30A05214-007
1.5	2		COMMON GREASEZERK	1095K41
2	1		ASS"Y - SHOCK STRUT	30A04000-100
2.1	1		ASSEMBLY - END SHOCK STRUT - UPPER	30A04000-093
2.2	1		ASSEMBLY - END SHOCK STRUT - LOWER	30A04000-120
2.3	1		DUAL BUSHING ASSEMBLY	1002090
2.4	1		BUSHING ASSEMBLY	1001103
2.5	1		COTTER PIN	MS24665-151
2.6	1		PIN - RETAINING, SHOCK STRUT	30A04476-004
2.7	1		SLEEVE - SHOCK STRUT RETAINER	30A04459-002
2.8	2		COMMON GREASEZERK	1095K41
2.9	2		WASHER	NAS1149D0416J
2.10	2		WASHER	NAS1149D0463J
3	1		DRAG LINK - MAIN GEAR	30A04000-091
3.1	2		BUSHING	10FDU10
4	1		SHAFT - AXLE - SHOCK STRUT	30A04454-007

WIPLINE MODEL 3450 FLOAT PARTS MANUAL

MAIN GEAR RETRACTION, FIGURE 14

<u>REF NO.</u>	<u>NO.</u>	<u>REQ.</u>	<u>PART DESCRIPTION</u>	<u>PART NO.</u>
5	2		ROLLER, SHOCK STRUT - RETRACT	21A05520-003
6	1		BOLT - DRAG LINK	30A05702-016
7	1		WASHER	NAS1149F1063P
8	1		NUT	MS21083N10
9	2		COMMON GREASEZERK	1095K41
10	1		BUSHING	30A04475-006

WIPLINE MODEL 3450 FLOAT PARTS MANUAL



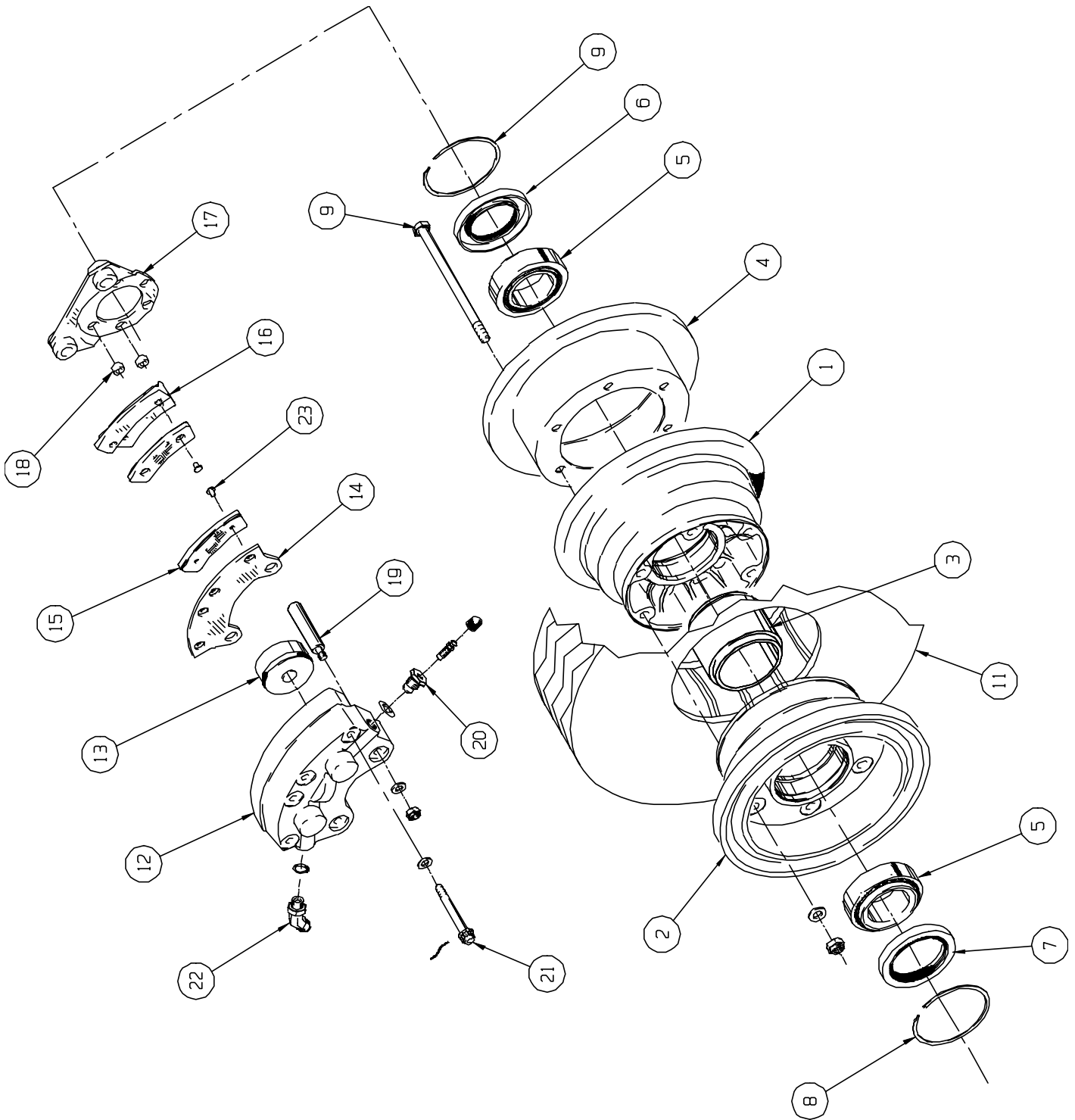
MAIN GEAR HYDRAULIC INSTALLATION
FIGURE 15

WIPLINE MODEL 3450 FLOAT PARTS MANUAL

MAIN GEAR HYDRAULIC INSTALLATION, FIGURE 15

<u>REF NO.</u>	<u>NO. REQ.</u>	<u>PART DESCRIPTION</u>	<u>PART NO.</u>
1	1	HYDRAULIC CYLINDER ASS"Y	D-97270-A-4
2	2	HAMLIN MAGNETIC SWITCH	Hamlin 59135-20
3	4	NUT	AN365-440
4	4	SCREW, MACHINE	AN515-4R6
5	1	EYE BOLT	AN42-4A
6	1	WASHER	AN960-PD10
7	1	WASHER	AN970-3
8	1	NUT	AN365-1032
9	1	SPRING - GEAR	21A05525-008
10	1	BOLT	AN5-12A
11	2	WASHER	NAS1149F0563P
12	1	WASHER	NAS1149D0516J
13	1	Nut	MS21044N5
14	1	CLEVIS - RETRACT ARM - MAIN GEAR	30A05460-001
15	1	Bolt	AN6-13A
16	2	WASHER	NAS1149F0632P
17	2	ELBOW	AN822-4D
18	1	SPACER - HYDRAULIC CYLINDER	30A05252-001
19	1	NUT	AN316-7R
20	1	WASHER - COUNTER SUNK	MS20002C8

WIPLINE MODEL 3450 FLOAT PARTS MANUAL



ASSEMBLY - MAIN GEAR WHEEL
FIGURE 16

WIPLINE MODEL 3450 FLOAT PARTS MANUAL

ASSEMBLY – MAIN GEAR WHEEL, FIGURE 16

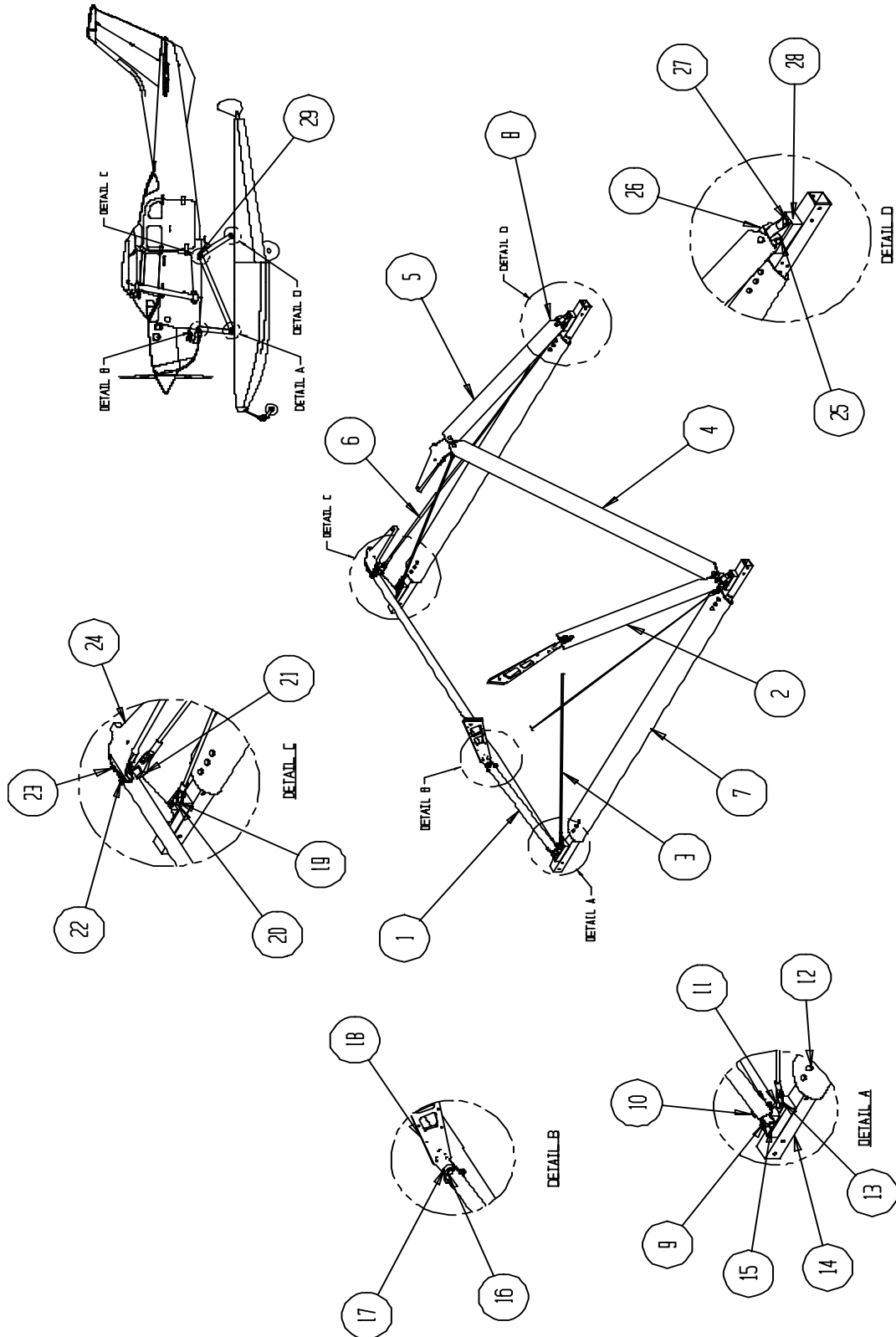
<u>REF NO.</u>	<u>NO.</u>	<u>REQ.</u>	<u>PART DESCRIPTION</u>	<u>PART NO.</u>
1	1		WHEEL ASS'Y (W/ TIRE & TUBE)	3A04000-002
2	1		WHEEL ASS'Y (BOTH HALVES)	3A04000-060
3	1		SPACER – GREASE DAM	067-14700
4	1		DISC – BRAKE	164-24500
5	2		CUP – BEARING	13836CP
	2		CONE – BEARING	13889CP
6	1		SEAL – GREASE	473232
7	1		SEAL – GREASE	472439
8	2		RING - SNAP	155-14300
9	6		BOLT	AN5-35A
	6		WASHER	NAS1149F0563P
	6		NUT	MS21042-5
10	1		NAMEPLATE – “WARNING” (NOT SHOWN)	166-20000
	1		NAMEPLATE (NOT SHOWN)	166-19700
11	1		TIRE	6.00 X 6, 8 PLY
	1		TUBE	6.00 X 6
12	1		BRAKE ASS'Y	30A04000-103 RH 30A04000-102 LH
13	2		PISTON	062-10700
	1		O-RING	MS28775-222
14	1		PLATE - PRESSURE	063-01100
15	2		LINING - BRAKE	066-10500

WIPLINE MODEL 3450 FLOAT PARTS MANUAL

ASSEMBLY – MAIN GEAR WHEEL, FIGURE 16

<u>REF NO.</u>	<u>NO.</u>	<u>REQ.</u>	<u>PART DESCRIPTION</u>	<u>PART NO.</u>
16	1		PLATE – BACK	064-01500
17	1		PLATE - TORQUE	075-20700
18	1		BUSHING	145-01000
19	2		BOLT - ANCHOR	069-03100
	2		WASHER	NAS1149F0463P
	2		NUT	MS21044N4
20	1		SEAT - BLEEDER	081-00200
	1		O-RING	MS28775-012
	1		SCREW – BLEEDER	079-00300
	1		CAP – BLEEDER	183-00100
21	4		BOLT	MS21250H04026
	4		WASHER	MS20002C4
			A/R LOCKWIRE	MS20995-C32
22	1		FITTING	104-04700
	1		O-RING	MS28775-012
23	4		RIVET	105-00200

WIPLINE MODEL 3450 FLOAT PARTS MANUAL



INSTALLATION – STRUTS, WIRES AND SPREADER BARS
FIGURE 17

WIPLINE MODEL 3450 FLOAT PARTS MANUAL

INSTALLATION – STRUTS, WIRES, & SPREADER BARS, FIGURE 17

<u>REF NO.</u>	<u>NO.</u>	<u>REQ.</u>	<u>PART DESCRIPTION</u>	<u>PART NO.</u>
1	1		FWD RH STRUT	34A02000-218
2	1		FWD LH STRUT	34A02000-197
3	2		DRAG WIRE - FRONT	30A02000-235
	1		WIRE	AN667AC-62.25
	1		TERMINAL L.H.	AN665-80LAS *
	1		CHECK NUT	AN316-C6L
	1		TERMINAL R.H.	AN665-80RAS *
	1		CHECK NUT	AN316-C6R
	2		CLEVIS PIN	MS20392-5C21
	2		COTTER PIN	MS24665-301
4	2		DIAG. STRUT	34A02000-198
5	2		REAR STRUT	34A02000-199
6	2		DRAG WIRE - REAR	34A02000-209
	1		WIRE	AN667AC-62.38
	1		TERMINAL L.H.	AN665-115LS *
	1		CHECK NUT	AN316-C7L
	1		TERMINAL R.H.	AN665-115RS *
	1		CHECK NUT	AN316-C7R
	2		CLEVIS PIN	MS20392-6C25
	2		COTTER PIN	MS24665-370
7	2		SPREADER BAR	30A03000-031
8	2		BRAKE LINE	21A04000-080
	2		STRAIGHT FITTING	63-1906000-3
9	1		FITTING – FWD LOWER LH	34A02204-013
	1		FITTING – FWD LOWER RH	34A02204-012

* “S” DENOTES STAINLESS STEEL

WIPLINE MODEL 3450 FLOAT PARTS MANUAL

INSTALLATION – STRUTS, WIRES, & SPREADER BARS, FIGURE 17

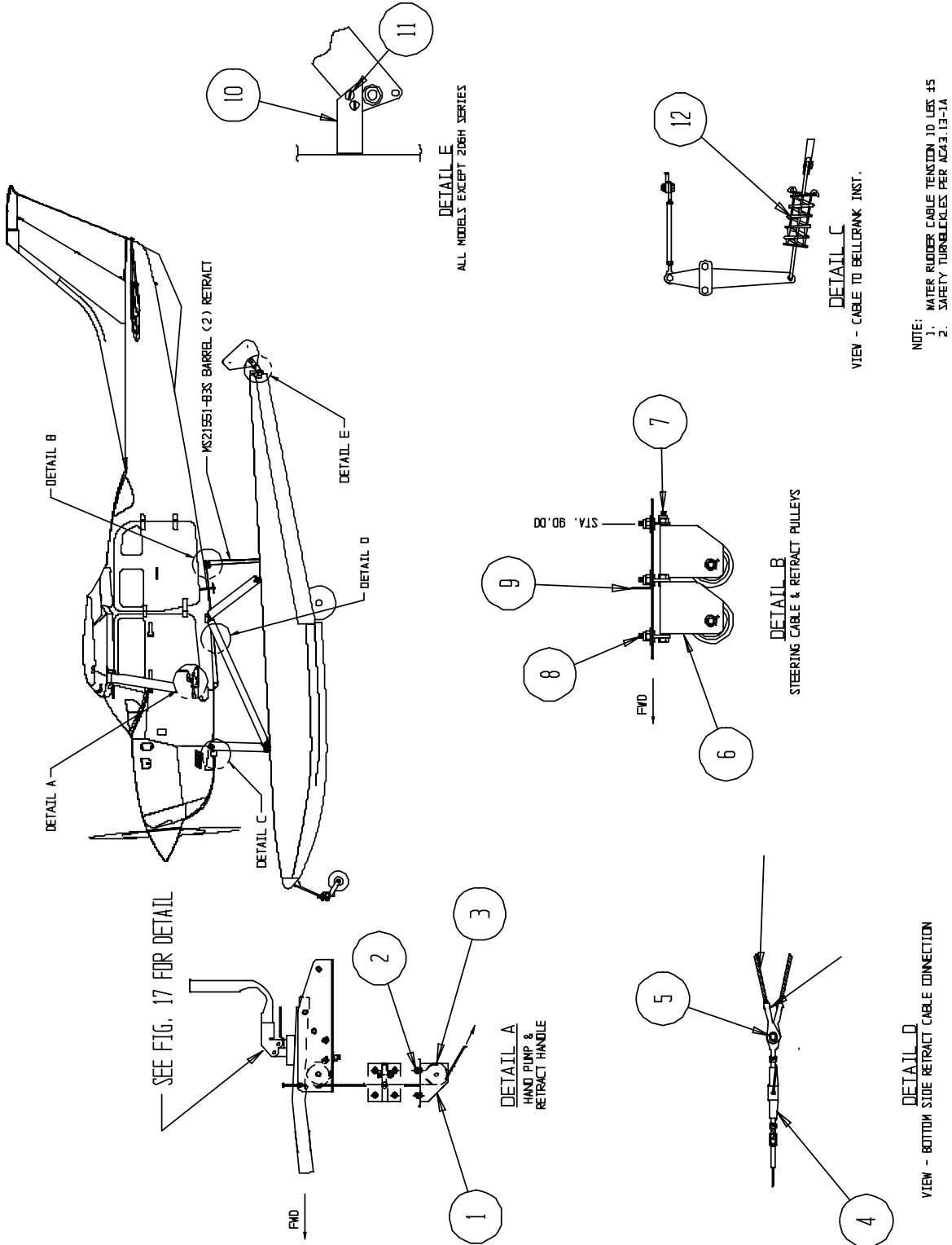
<u>REF NO.</u>	<u>NO.</u>	<u>REQ.</u>	<u>PART DESCRIPTION</u>	<u>PART NO.</u>
10	8		BOLT (SERIAL #'S 34079, 34080, 34093 AND UP)	AN7-22A
	8		BOLT (ALL OTHER SERIAL #'S)	AN7-20A
	16		WASHER	AN960-716
	8		NUT	AN365-720
11	2		BOLT – DRAG WIRE LUG	AN6-43A
	4		WASHER	AN960-616
	2		NUT	AN365-624
12	12		BOLT – SPREADER BAR ATTACH	AN6-30A
	24		WASHER	AN960-616
	12		NUT	AN365-624
13	2		LUG – DRAG WIRE	21A02462-005
14	1		TUBE – SPR. FLOAT (REF) LH	30A03319-001
	1		TUBE – SPR. FLOAT (REF) RH	30A03319-002
15	2		BOLT – LOWER STRUT ATTACH	AN7-33A
	4		WASHER	AN960-716
	2		NUT	AN365-720
16	2		BOLT	AN8-20A
	4		WASHER	AN960-816
	2		NUT	AN365-820
17	2		FITTING – FWD UPPER STRUT	34A02207-005
18	2		FITTING – FWD FUSELAGE	4A02078-001
19	2		BOLT – DRAG WIRE LUG ATTACH	AN7-43A
	2		WASHER	NAS1149F0563P
	2		NUT	MS21044N5

WIPLINE MODEL 3450 FLOAT PARTS MANUAL

INSTALLATION – STRUTS, WIRES, & SPREADER BARS, FIGURE 17

<u>REF NO.</u>	<u>NO.</u>	<u>REQ.</u>	<u>PART DESCRIPTION</u>	<u>PART NO.</u>
20	2		LUG – DRAG WIRE ATTACH	34A02496-003
21	2		ASS'Y – FITTING – DRAGWIRE LH	4A02000-073
	2		ASS'Y – FITTING – DRAGWIRE RH	4A02000-074
22	2		BOLT (SERIAL #'S 34079, 34080, 34093 AND UP) - FWD	AN8-22A
	2		BOLT (ALL OTHER SERIAL #'S)	AN8-20A
	2		WASHER	AN960-816
23	2		BOLT (SERIAL #'S 34079, 34080, 34093 AND UP) - AFT	AN8-22A
	2		BOLT (ALL OTHER SERIAL #'S)	AN8-20A
	4		WASHER	AN960-816
	2		NUT	AN365-820
24	1		TONGUE – LH	34A02062-013
	1		TONGUE – RH	34A02062-012
25	2		BOLT – REAR STRUT ATTACH	AN7-30A
	4		WASHER	AN960-716
	2		NUT	AN365-720
26	2		FITTING – AFT LOWER STRUT	34A02204-014
27	4		BOLT – ITEM 28 ATTACH	AN6-37A
	8		WASHER	AN960-616
	4		NUT	AN365-624
28	2		FITTING – FLOAT DECK	30A02219-003
29	1		GEAR OPENING COVER RT	3A02005-030
	1		GEAR OPENING COVER LT	3A02005-031

WIPLINE MODEL 3450 FLOAT PARTS MANUAL



INSTALLATION – STEERING AND RETRACT SYSTEM
FIGURE 18

WIPLINE MODEL 3450 FLOAT PARTS MANUAL

INSTALLATION – STEERING AND RETRACT SYSTEM, FIGURE 18

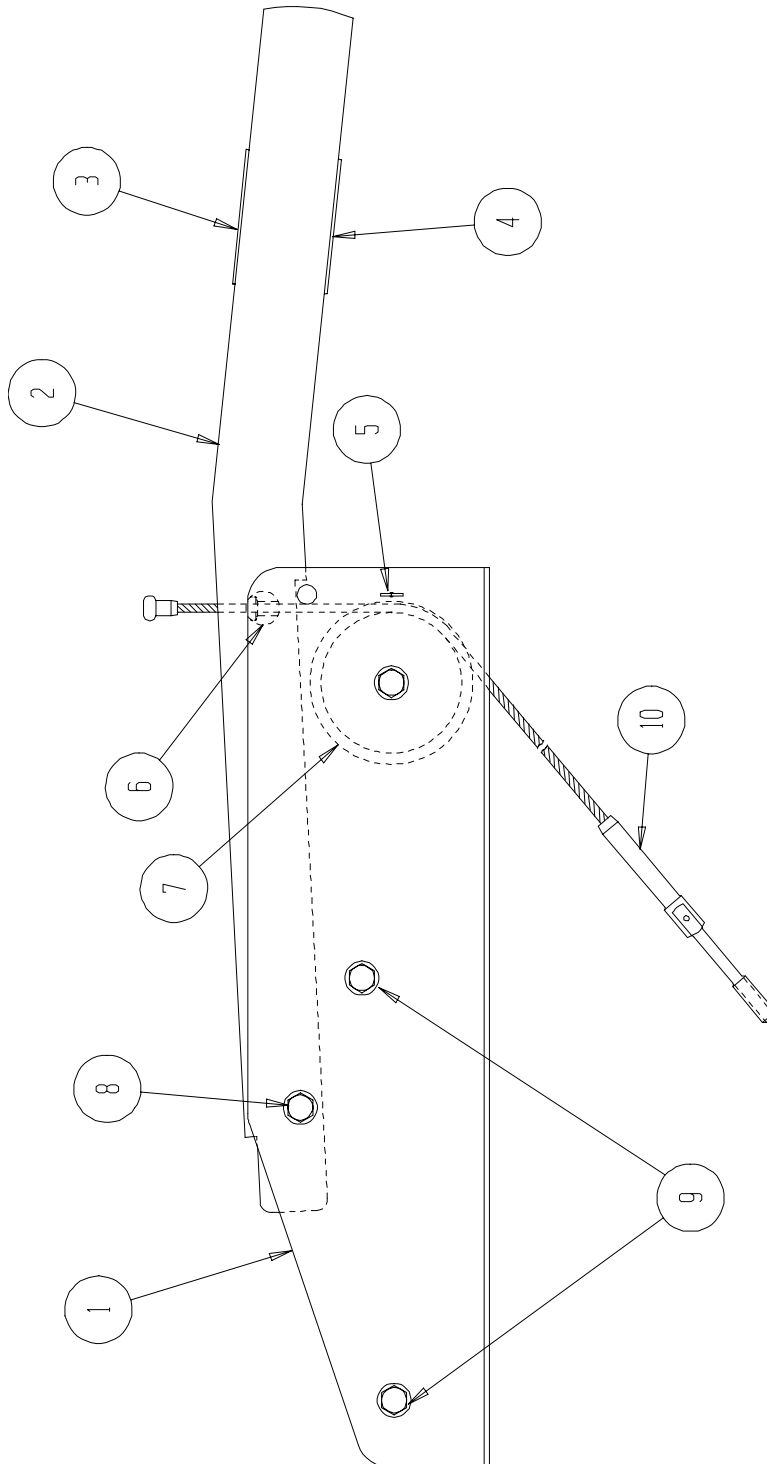
<u>REF NO.</u>	<u>NO.</u>	<u>REQ.</u>	<u>PART DESCRIPTION</u>	<u>PART NO.</u>
ALTERNATE FOR FACTORY SWEDGING OF CABLE ENDS:				
			A/R FORKS	AN161-16
			A/R EYES	AN170-16
			A/R THIMBLES	AN100-3
			A/R NICOPRESS	18-2-G
			A/R SHACKLES	MS20115-3
			A/R CABLES - STAINLESS STEEL AIRCRAFT	3/32 7 X 7
1	1		PULLEY BRACKET	3A08151-046
2	4		SCREW	AN526-1032-8
	4		WASHER	AN960PD10
	4		NUT	MS20365-1032
3	1		PULLEY	MS20219-2
	1		BOLT	AN4-7A
	1		WASHER	AN960PD416
	1		NUT	AN365-428
4			A/R TURNBUCKLE BARREL	MS21251-B3S
5	1		WASHER	AN960-10L
	1		COTTER PIN	AN381-2-8
	1		CLEVIS PIN	MS20392-2-15
6	4		PULLEY BRACKET	4A08151-093
	4		PULLEY	MS29219-2
	4		BOLT	AN4-7A
	4		WASHER	AN960PD416
	4		NUT	AN365-428
7	4		BOLT	AN3-25A
	4		WASHER	AN960-10
	4		NUT	AN365-1032

WIPLINE MODEL 3450 FLOAT PARTS MANUAL

INSTALLATION – STEERING AND RETRACT SYSTEM, FIGURE 18

<u>REF NO.</u>	<u>NO.</u>	<u>PART DESCRIPTION</u>	<u>PART NO.</u>
8	8	EYE BOLT	AN42-4A
	8	WASHER	AN960-10
	8	NUT	AN365-1032
9	1	ANGLE	4A08340-032
10	2	STOP (NOT REQUIRED FOR 206H)	4A08205-003
11	8	SCREW	AN526-1032-10
	8	WASHER	AN960-10L
	8	NUT	AN365-1032
12	2	SPRING (CESSNA)	0742016-1

WIPLINE MODEL 3450 FLOAT PARTS MANUAL



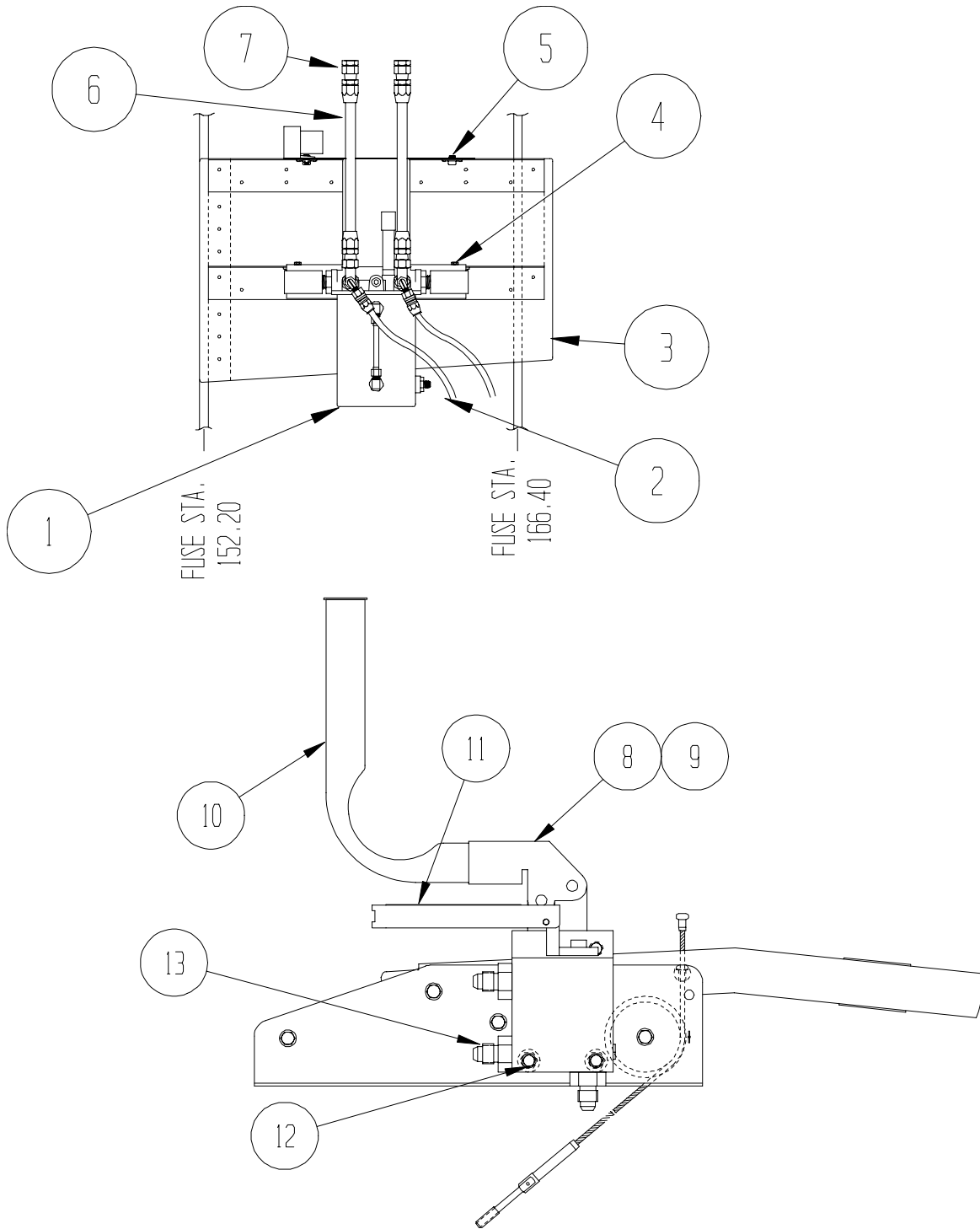
ASSEMBLY - RETRACT HANDLE
FIGURE 19

WIPLINE MODEL 3450 FLOAT PARTS MANUAL

ASSEMBLY – RETRACT HANDLE, FIGURE 19

<u>REF NO.</u>	<u>NO.</u>	<u>REQ.</u>	<u>PART DESCRIPTION</u>	<u>PART NO.</u>
	1		ASS'Y – RETRACT HANDLE – COMPLETE	23A08000-162
1	1		BRACKET SIDE – LEFT	3A08003-015
	1		BRACKET SIDE - RIGHT	3A08003-016
2	1		HANDLE	4A08414-003
3	1		PLACARD – WATER RUDDER DOWN	3A3-1115-2
4	1		PLACARD – WATER RUDDER UP	3A3-1115-3
5	1		COTTER PIN	AN380-3-4
6	1		SWIVEL	4A08506-002
7	1		PULLEY	MS20219-2
	1		BOLT- ATTACH	AN4-10A
	2		WASHER	NAS1149F0463P
	2		WASHER - THIN	NAS1149F0432P
	2		NUT	H10-4
8	2		PIVOT PIN	3A08702-006
	2		WASHER	NAS1149F0363P
	2		NUT	H10-4
9	2		BOLT	AN3-10A
	2		SPACER	3A08613-001
	4		WASHER	NAS1149F0332P
	2		NUT	H10-3
10	1		CABLE ASS'Y	21A08000-137

WIPLINE MODEL 3450 FLOAT PARTS MANUAL



INSTALLATION – HYDRAULIC SYSTEM
FIGURE 20

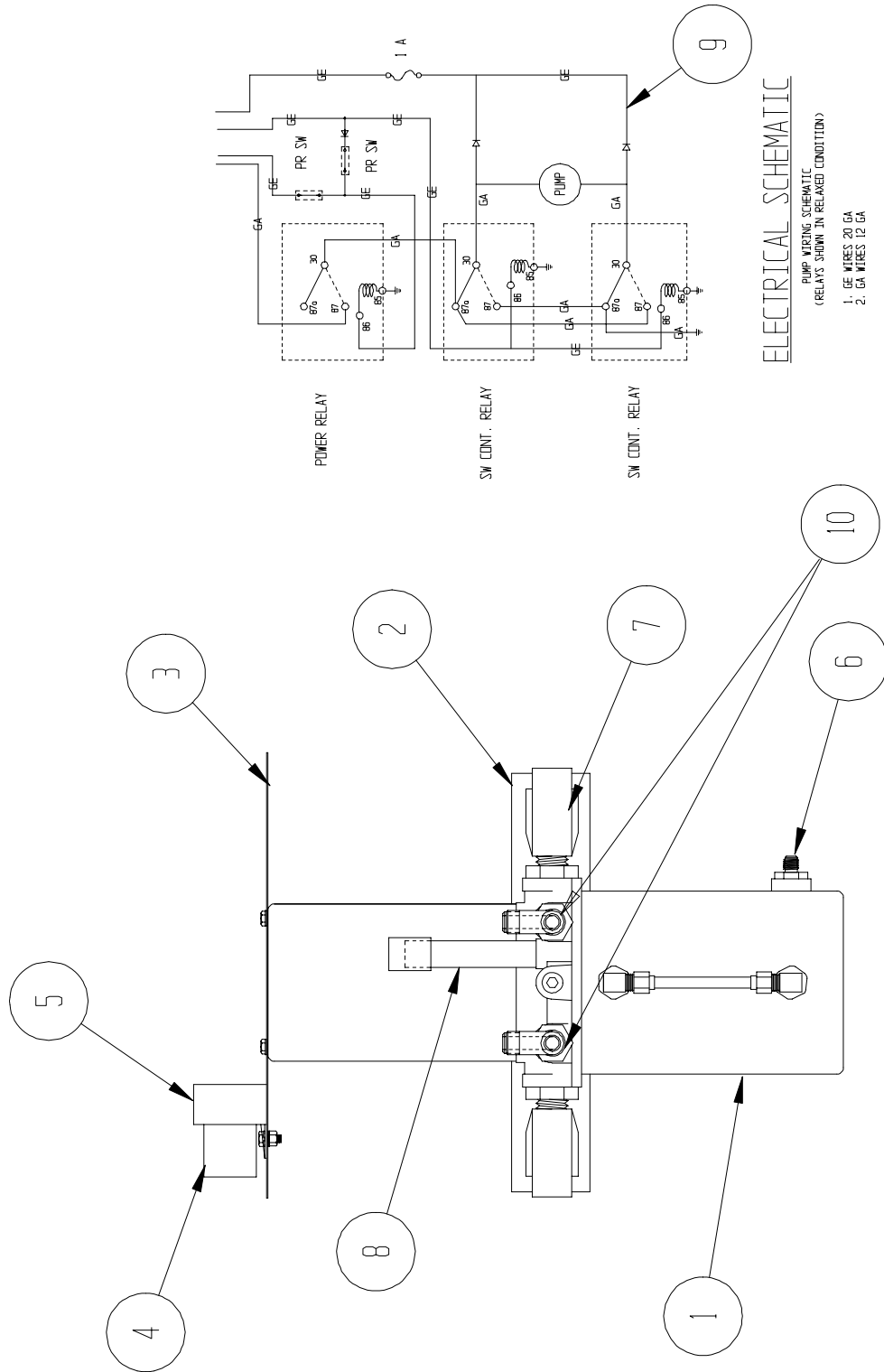
WIPLINE MODEL 3450 FLOAT PARTS MANUAL
 INSTALLATION – HYDRAULIC SYSTEM, FIGURE 20

<u>REF NO.</u>	<u>NO.</u>	<u>REQ.</u>	<u>PART DESCRIPTION</u>	<u>PART NO.</u>
1	1		ASS'Y – HYDRAULIC PUMP (12V)	34A09000-245
	1		ASS'Y – HYDRAULIC PUMP (24V)	34A09000-277
2	2		ASS'Y – HYDRAULIC HOSE	34A09000-256
3	1		ASS'Y – PUMP MOUNT	34A09000-244
4	2		BOLT – ATTACH - LOWER	AN4-4A
	2		WASHER	NAS1149D0416J
5	2		BOLT – ATTACH - UPPER	AN3-3A
	2		WASHER	NAS1149FO332P
6	2		ASS'Y – HOSE ACCUMULATOR	8A09000-048
7	2		PLUG – HOSE END	AN806-4D
8	1		ASS'Y – HAND PUMP (COMPLETE WITH RETRACT HANDLE)	34A09000-261
9	1		HAND PUMP ONLY	638203
10	1		HANDLE PUMP	21A09396-001
11	1		ASS'Y – HANDLE SELECTOR	21A12000-052
	1		HANDLE	21A12414-005
	1		PIVOT	21A12214-004
	1		ROLL PIN	1/8 X 1"
	1		PLACARD – HANDLE R. SIDE	12A3-7379-1
	1		PLACARD – HANDLE L. SIDE	12A3-7379-2
12	2		CAP – SCREW	MS16997-77
	2		WASHER	MS35333-40
	2		WASHER	NAS1149F0563J

WIPLINE MODEL 3450 FLOAT PARTS MANUAL
INSTALLATION – HYDRAULIC SYSTEM, FIGURE 20

<u>REF NO.</u>	<u>NO.</u>	<u>REQ.</u>	<u>PART DESCRIPTION</u>	<u>PART NO.</u>
13	3		UNION	AN815-4D
	3		“O”-Ring	MS28775-011

WIPLINE MODEL 3450 FLOAT PARTS MANUAL



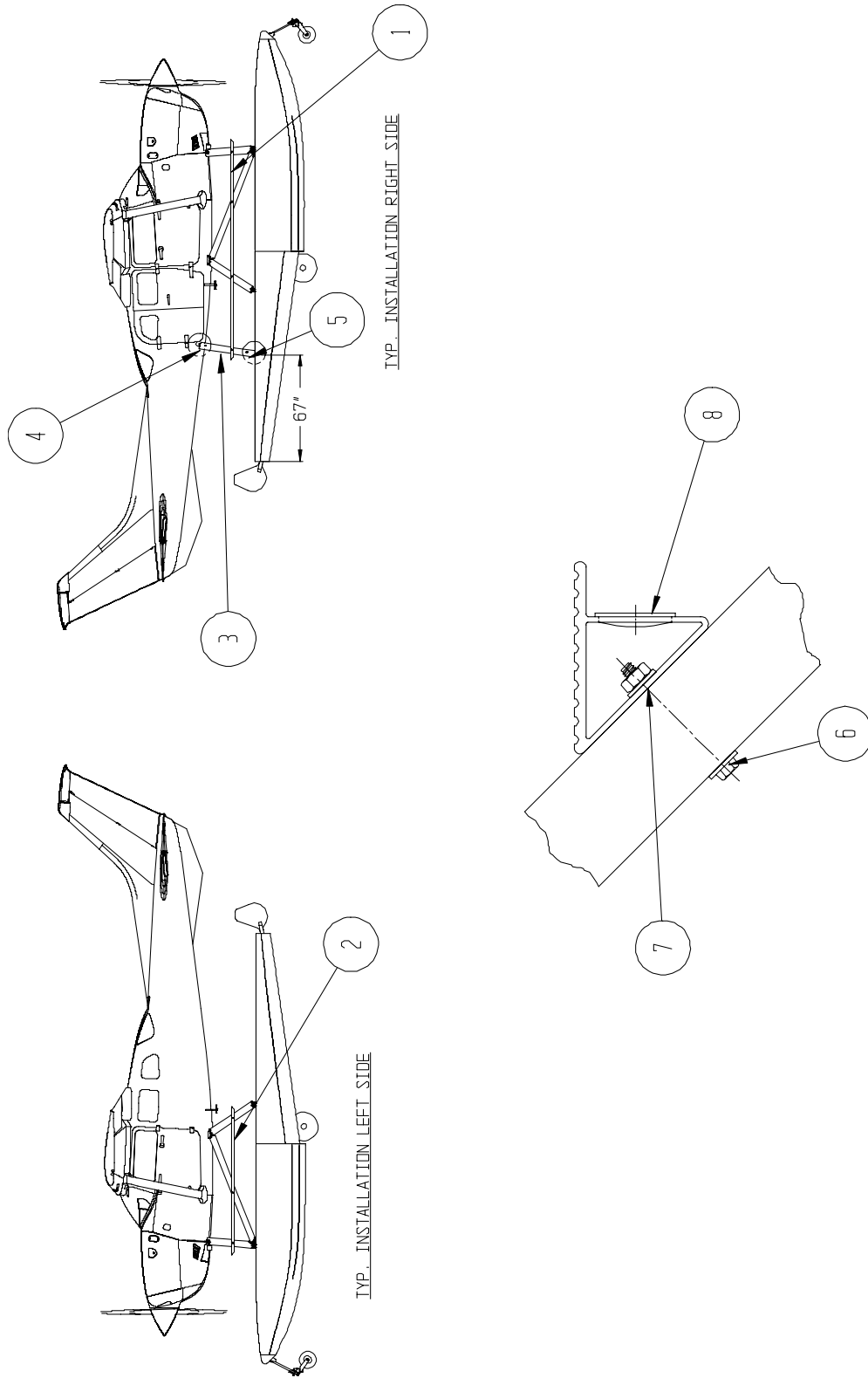
ASSEMBLY – HYDRAULIC PUMP
 FIGURE 21

WIPLINE MODEL 3450 FLOAT PARTS MANUAL

ASSEMBLY – HYDRAULIC PUMP, FIGURE 21

<u>REF NO.</u>	<u>NO.</u>	<u>REQ.</u>	<u>PART DESCRIPTION</u>	<u>PART NO.</u>
1	1		HYDRAULIC PUMP 12V	21A09000-215
	1		HYDRAULIC PUMP 24V	21A09000-282
2	1		ANGLE – LOWER PUMP	21A09352-030
	2		CAP SCREW – ATTACH	MS16997-96
	2		LOCK WASHER	3/8”
3	1		SUPPORT – TOP PUMP	21A09010-013
4	3		RELAY – 24V	0-332-209-211
	3		RELAY – 12V	0-332-209-137
5	3		SOCKET – RELAY	BR05-FW
	15		TERMINAL	1-901-355-917
	3		BOLT – ATTACH	AN3-3A
	6		WASHER	NAS1149F0332P
	3		NUT	MS21044N3
6	1		FITTING	AN815-4D
	1		“O” RING	MS28775-011
7	2		PRESSURE - SWITCH	20PS001EB700W500W
8	1		STAND PIPE	21A09274-006
	1		“O” RING	MS28775-012
	1		FILTER	6A09706-001
9	3		DIODE	IN4004
10	2		NUT	AN924-4D
	2		“O” RING	MS28775-011
	2		FITTING “T”	AN804-4D

WIPLINE MODEL 3450 FLOAT PARTS MANUAL



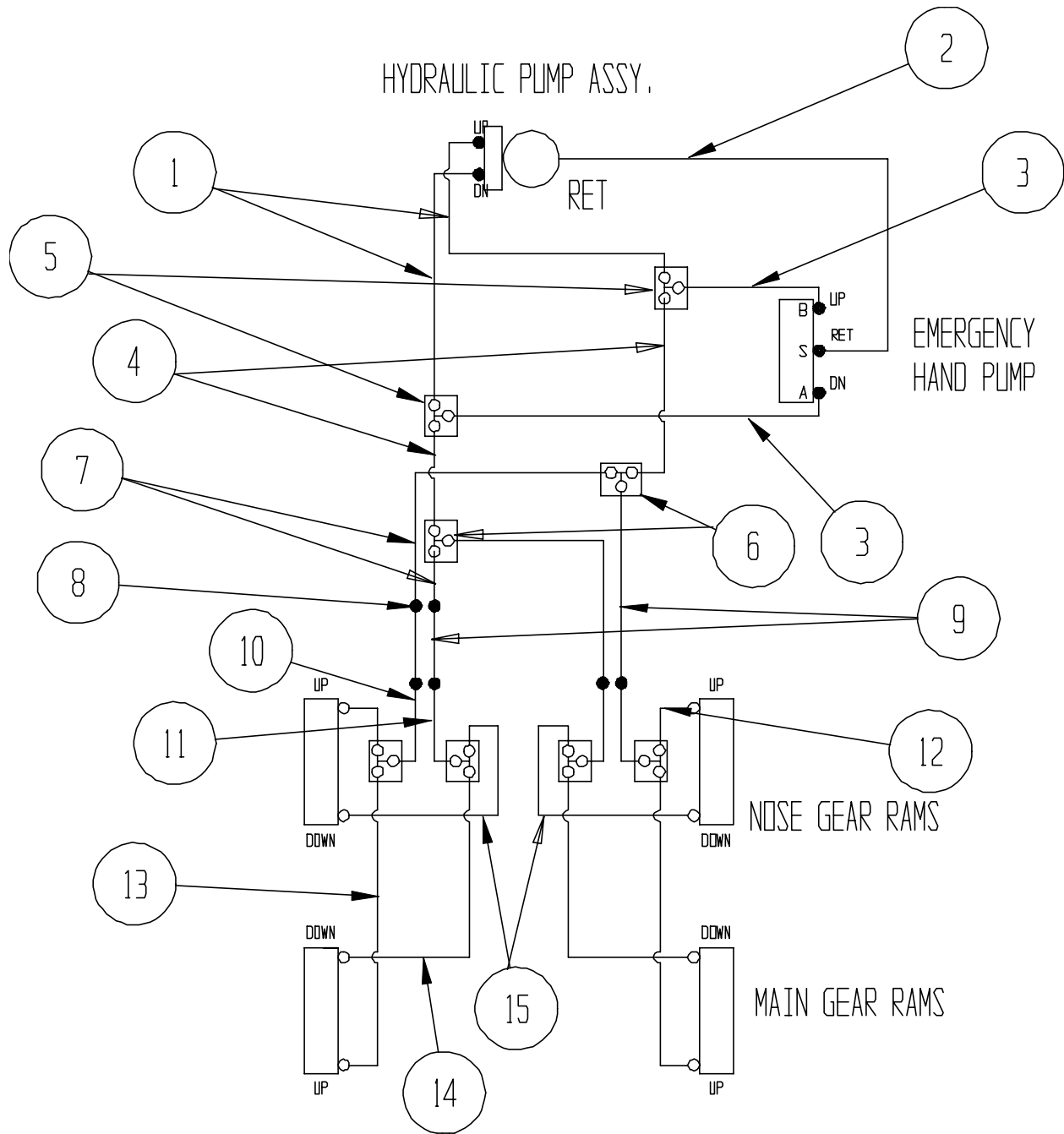
INSTALLATION STEPS
FIGURE 22

WIPLINE MODEL 3450 FLOAT PARTS MANUAL

INSTALLATION STEPS, FIGURE 22

<u>REF NO.</u>	<u>NO.</u>	<u>REQ.</u>	<u>PART DESCRIPTION</u>	<u>PART NO.</u>
1	1		STEP – R.H.	34A02369-048
2	1		STEP – L.H.	4A02369-009
3	1		ASS'Y STRUT	34A02000-212
	1		STRUT	34A02334-045
	1		FITTING – UPPER	8A02053-006
	1		FITTING - LOWER	8A02053-005
			A/R SCREW – FITTING ATTACH	AN509-516R13
4	1		EYE BOLT – UPPER ATTACH	AN44-5
	2		WASHER	NAS1149F0563P
	1		NUT	MS21044N5
5	1		FITTING - SLIDE	8A02273-007
	1		EYE BOLT (FLOAT)	AN44-5
	1		WASHER	NAS1149F0532P
	1		NUT	MS21044N5
	1		BOLT – SLIDE TO EYE BOLT	AN4-12A
	1		WASHER	NAS1149F0463P
	1		NUT	MS21083N4
6	4		BOLT – ATTACH F & R STRUT	AN3-20A
	2		BOLT – ATTACH CENTER STRUT	AN3-22A
	1		BOLT – ATTACH	AN3-24A
	14		WASHER	NAS1149F0332P
	7		BOLT	MS21044N3
7	4		SPACER (BETWEEN STEP & STRUT – NOT SHOWN)	6A02273-006
8	6		HOLE PLUGS (WHITE)	1”

WIPLINE MODEL 3450 FLOAT PARTS MANUAL



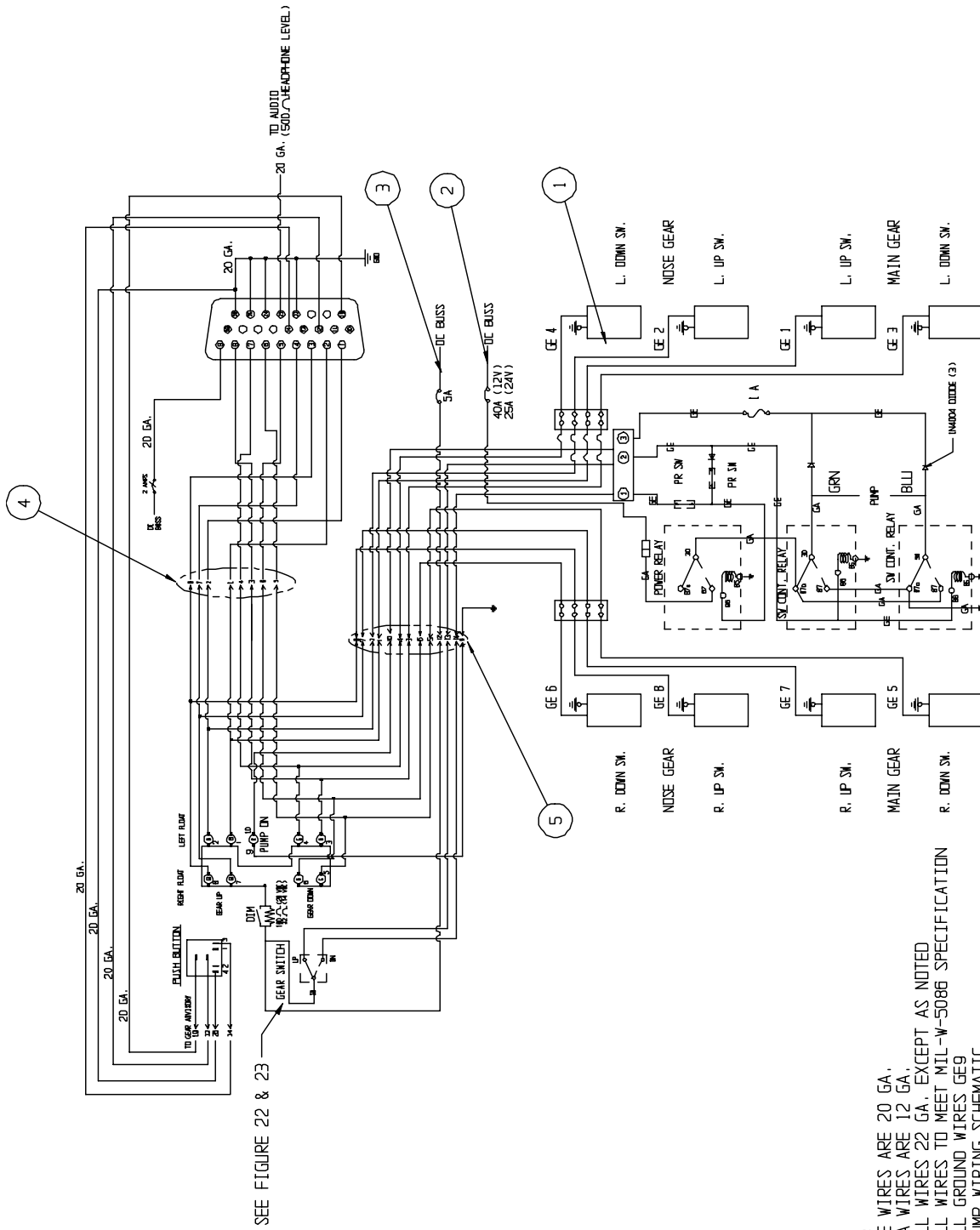
HYDRAULIC SCHEMATIC – PUMP
FIGURE 23

WIPLINE MODEL 3450 FLOAT PARTS MANUAL

HYDRAULIC SCHEMATIC – PUMP, FIGURE 23

<u>REF NO.</u>	<u>NO.</u>	<u>REQ.</u>	<u>PART DESCRIPTION</u>	<u>PART NO.</u>
1	2		ASS'Y – HYDRAULIC HOSE	34A09000-256
2	1		ASS'Y – HYDRAULIC HOSE	34A09000-257
3	2		ASS'Y – HYDRAULIC HOSE	34A09000-258
4	1		ASS'Y HYDRAULIC HOSE	21A09000-218
5	2		“T” FITTING	AN824-4D
6	2		“T” FITTING	AN804-4D
	2		NUT	AN924-4D
	2		WASHER	NAS1149F0763P
7	2		ASS'Y HYDRAULIC HOSE	34A09000-259
8	2		ELBOW	AN833-4D
	2		NUT	AN924-4D
	2		WASHER	NAS1149F0763P
9	4		ASS'Y – HYDRAULIC HOSE	21A09000-218
10	2		ASS'Y – HYDRAULIC HOSE	30A09000-272
11	2		ASS'Y – HYDRAULIC HOSE	30A09000-273
12	2		ASS'Y – HYDRAULIC HOSE	30A09000-268
13	2		ASS'Y – HYDRAULIC HOSE	34A09000-274
14	2		ASS'Y – HYDRAULIC HOSE	34A09000-275
15	2		ASS'Y – HYDRAULIC HOSE	30A09000-269

WIPLINE MODEL 3450 FLOAT PARTS MANUAL



- NOTES:
1. GE WIRES ARE 20 GA.
GA WIRES ARE 12 GA.
 2. ALL WIRES 22 GA. EXCEPT AS NOTED
 3. ALL WIRES TO MEET MIL-W-5086 SPECIFICATION
 4. ALL GROUND WIRES GE0
 5. PUMP WIRING SCHEMATIC
(RELAYS SHOWN IN RELAXED CONDITION)

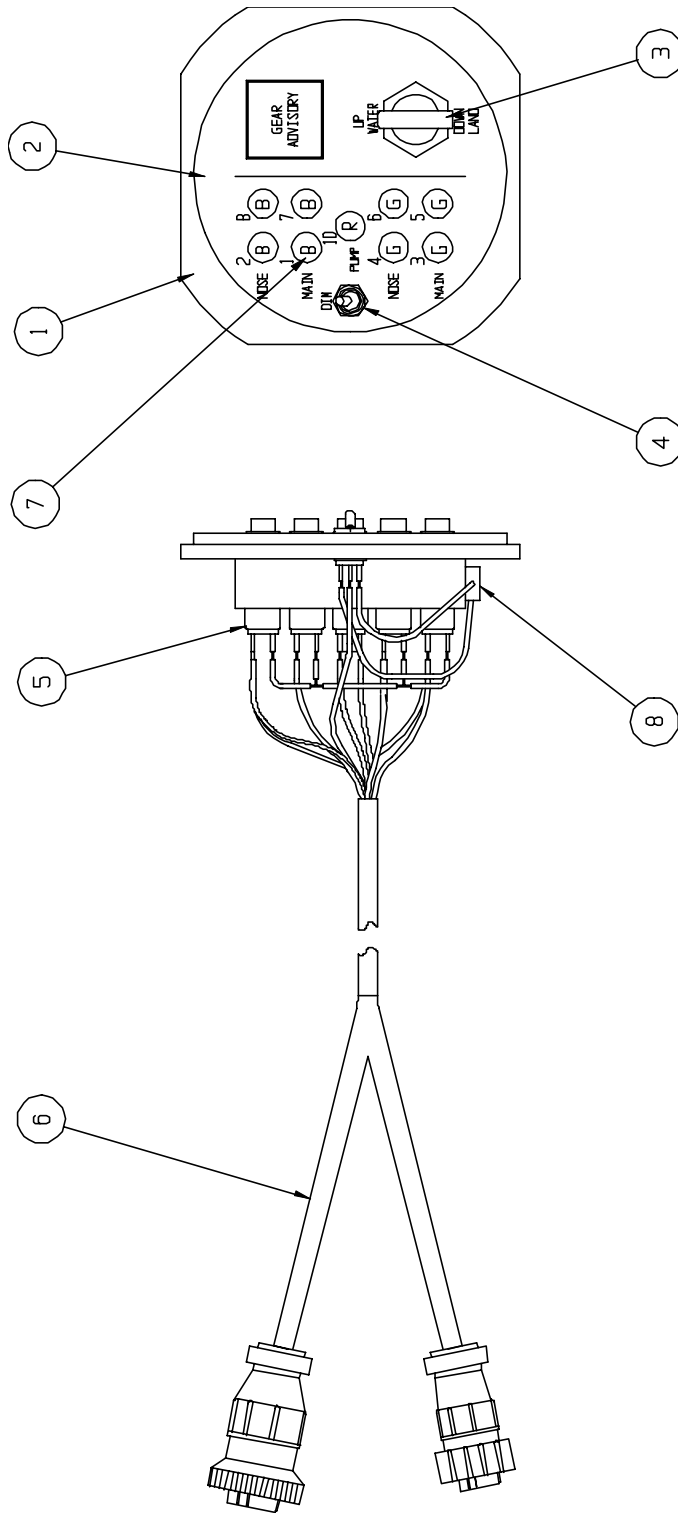
ELECTRICAL SCHEMATIC
FIGURE 24

WIPLINE MODEL 3450 FLOAT PARTS MANUAL

ELECTRICAL SCHEMATIC, FIGURE 24

<u>REF NO.</u>	<u>NO.</u>	<u>REQ.</u>	<u>PART DESCRIPTION</u>	<u>PART NO.</u>
1	8		SWITCH – PROXIMITY - MAGNETIC	5801
	8		CLIP – SWITCH HOLDER	21A09005-262
2	1		CIRCUIT BREAKER (12V)	40 AMP
	1		CIRCUIT BREAKER (24V)	25 AMP
3	1		CIRCUIT BREAKER	5 AMP
4	1		WIRE HARNESS	4A11000-014
5	1		WIRE HARNESS	4A11000-012

WIPLINE MODEL 3450 FLOAT PARTS MANUAL



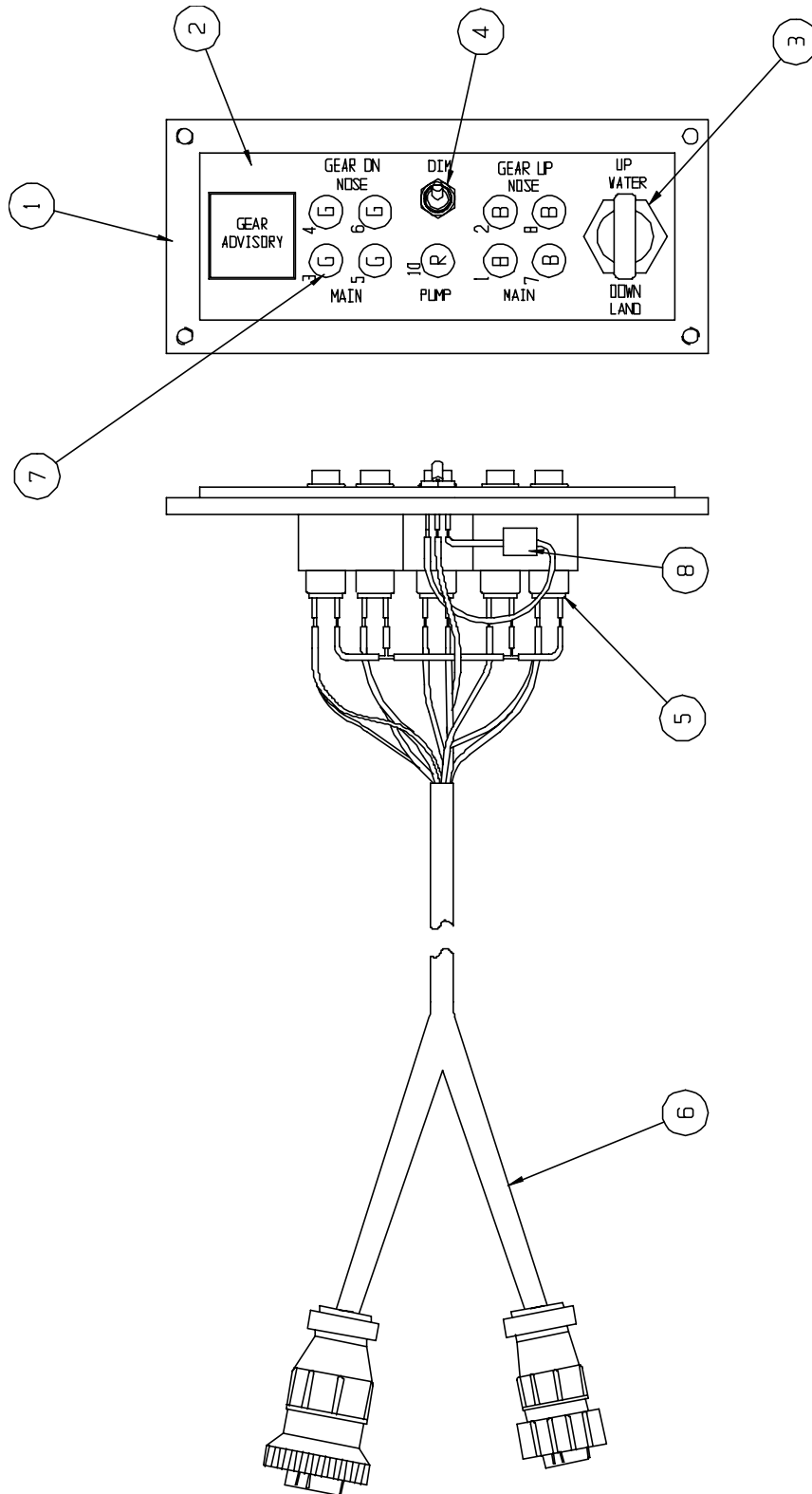
GEAR CONTROL (ROUND)
FIGURE 25

WIPLINE MODEL 3450 FLOAT PARTS MANUAL

GEAR CONTROL (ROUND), FIGURE 25

<u>REF NO.</u>	<u>NO.</u>	<u>REQ.</u>	<u>PART DESCRIPTION</u>	<u>PART NO.</u>
1	1		BLOCK – INDICATOR (ROUND)	21A11179-001
2	1		PLACARD – FACE	10B3-6202
3	1		SWITCH – ASSEMBLY	8857K44
	1		KNOB – GEAR CONTROL	21A11259-003
4	1		SWITCH – DIMMER	A101SYCB
5	9		SOCKETS	515-0012
	3		SCREW – ATTACH	AN526-632-8
6	1		ASS'Y – WIRE HARNESS	4A11000-008
7	1		LIGHT – RED (12V)	5073914-1431-600
	4		LIGHT – BLUE (12V)	5073914-1434-600
	4		LIGHT – GREEN (12V)	5073914-1432-600
	4		LIGHT – RED (24V)	5073918-1431-600
	4		LIGHT – BLUE (24V)	5073918-1434-600
	4		LIGHT – GREEN (24V)	5073918-1432-600
8	1		RESISTOR (12V)	35 OHM RH-5-35
	1		RESISTOR (24V)	180 OHM RH-5-180
9	4		SCREW – ATTACH TO INST. PANEL (NOT SHOWN)	MS35214-42

WIPLINE MODEL 3450 FLOAT PARTS MANUAL



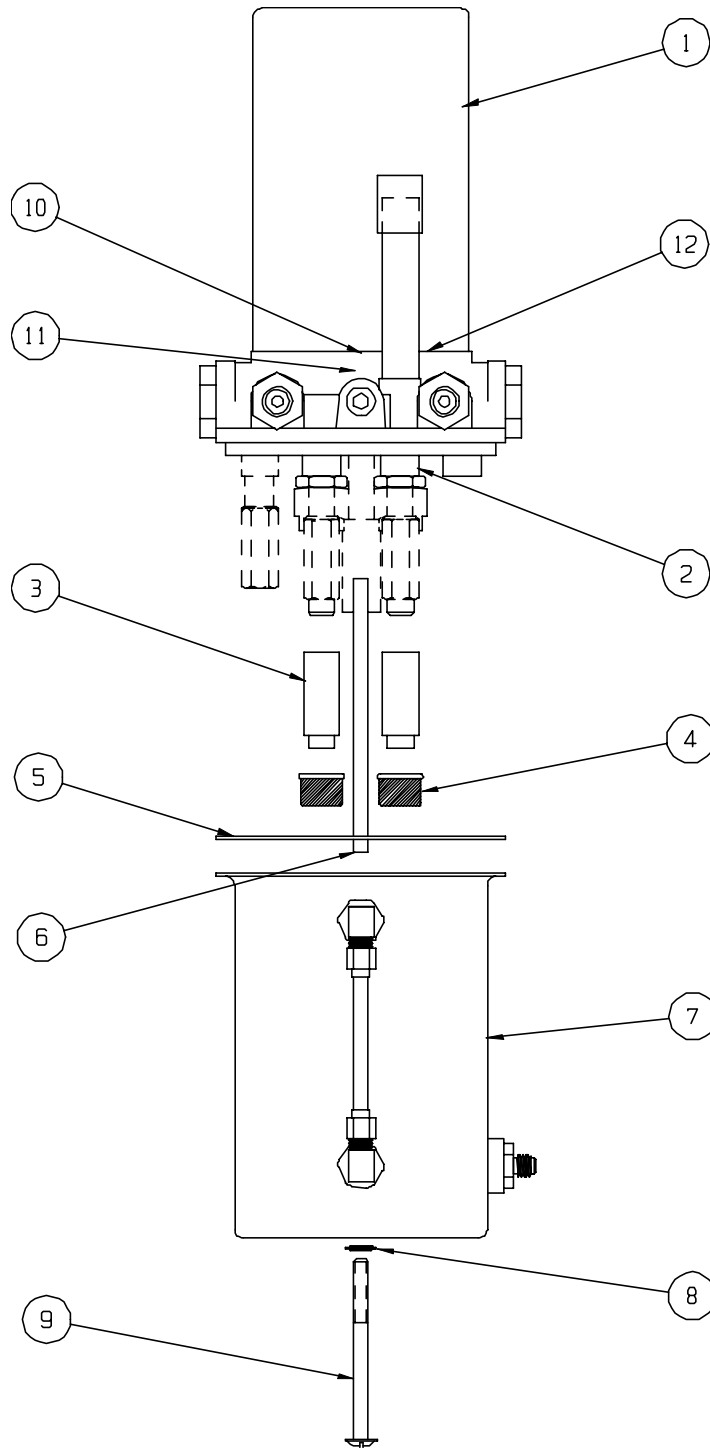
GEAR CONTROL (RECTANGLE)
FIGURE 26

WIPLINE MODEL 3450 FLOAT PARTS MANUAL

GEAR CONTROL (RECTANGLE), FIGURE 26

<u>REF NO.</u>	<u>NO.</u>	<u>REQ.</u>	<u>PART DESCRIPTION</u>	<u>PART NO.</u>
1	1		BLOCK – INDICATOR (RECTANGLE)	21A11179-002
2	1		PLACARD – FACE	10B3-6277
3	1		SWITCH – ASSEMBLY	8857K44
	1		KNOB – GEAR CONTROL	21A11259-003
4	1		SWITCH – DIMMER	A101SYCB
5	9		SOCKETS	515-0012
	3		SCREW – ATTACH	AN526-632-8
6	1		ASS'Y – WIRE HARNESS	4A11000-008
7	1		LIGHT – RED (12V)	5073914-1431-600
	4		LIGHT – BLUE (12V)	5073914-1434-600
	4		LIGHT – GREEN (12V)	5073914-1432-600
	4		LIGHT – RED (24V)	5073918-1431-600
	4		LIGHT – BLUE (24V)	5073918-1434-600
	4		LIGHT – GREEN (24V)	5073918-1432-600
8	1		RESISTOR (12V)	35 OHM RH-5-35
	1		RESISTOR (24V)	180 OHM RH-5-180
9	4		SCREW – INST. PANEL ATTACH (NOT SHOWN)	MS35214-42

WIPLINE MODEL 3450 FLOAT PARTS MANUAL

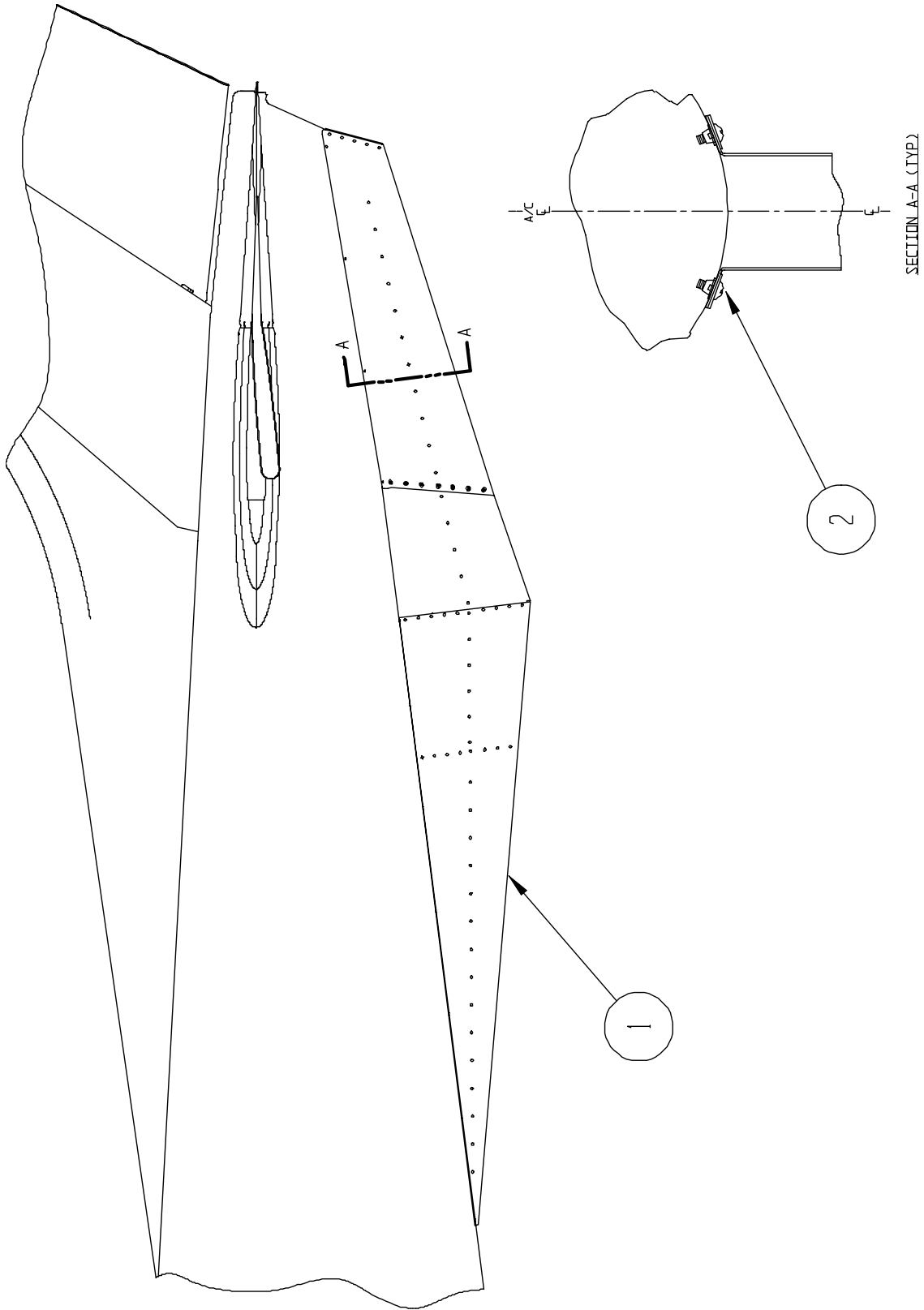


HYDRAULIC PUMP
FIGURE 27

WIPLINE MODEL 3450 FLOAT PARTS MANUAL

HYDRAULIC PUMP, FIGURE 27

<u>REF NO.</u>	<u>NO.</u>	<u>REQ.</u>	<u>PART DESCRIPTION</u>	<u>PART NO.</u>
1	1		HYDRAULIC PUMP ASS'Y (12V)	21A09000-215
			HYDRAULIC PUMP ASS'Y (24V)	21A09000-282
			MOTOR (12V)	410497
			MOTOR (24V)	411165
2	1		BASIC PUMP	634873
3	2		TUBE EXTENSIONS	362136
4	2		FILTER	410521
5	1		SEAL RESERVIOR	410578
6	1		RETURN TUBE	365047
7	1		RESERVIOR – GAUGE ASS'Y	775260
8	1		SEAL THREAD	359071
9	1		SCREW – RESERVIOR ATTACH	409715
10	1		COUPLING – MOTOR TO PUMP	361183
11	1		SEAL – PUMP SHAFT	410512
12	1		“O” RING MOTOR TO BASE	405673



VENTRAL FIN
FIGURE 28

WIPLINE MODEL 3450 FLOAT PARTS MANUAL

VENTRAL FIN, FIGURE 28

<u>REF NO.</u>	<u>NO.</u>	<u>REQ.</u>	<u>PART DESCRIPTION</u>	<u>PART NO.</u>
1	1		ASS'Y VENTRAL FIN	34A12000-048
2	A/R		SCREW – ATTACH	AN526-1032-8
	A/R		NUT PLATE – ATTACH	MS21078-3

WIPLINE MODEL 3450 FLOAT PARTS MANUAL

AL 206 SERIES AIRCRAFT

EMERGENCY HANDPUMP

PULL GEAR MOTOR CIRCUIT BREAKER
SELECT DESIRED GEAR POSITION
PUMP GEAR TO DESIRED POSITION

P/N: 10B3-6283-1

FLD/PLANE
MAX FLAPS
30°

P/N: 343-1104.

P/N: 10B2-6339-2

WATER RUDDER CONTROL

DOWN UP

P/N: 343-1115-1, -2, -3 PLACARDS

DO NOT LAND ON WATER UNLESS
GEAR IS FULLY RETRACTED

P/N: 6B3-2243-3 PLACARD

WATER RUDDER UP
FOR ALL FLIGHT OPERATIONS

P/N: 6B3-2243-2 PLACARD

REFER TO WIPLINE APK SUPPLEMENT FOR
OPERATION WITH WIPLINE FLOATS INSTALLED

P/N: 10B3-6279 PLACARD

AVOID TAIL-LOW TAKEOFF AND LANDINGS
WITH FLD/PLANE STINGER INSTALLED
DURING OPERATIONS AS A LANDPLANE.

P/N: 343-1118

CLIMB/EUEL FLOW SCHEDULES

ALTITUDE	S.L.	2000'	4000'	6000'	8000'	10000'	12000'	14000'
	2200 RPM	2300 RPM	2400 RPM	2500 RPM	2600 RPM	2700 RPM	2800 RPM	2900 RPM
	28.5 GPH	27.5 GPH	26.5 GPH	25.5 GPH	24.5 GPH	23.5 GPH	22.5 GPH	21.5 GPH
	20.0 GPH	19.0 GPH	18.0 GPH	17.0 GPH	16.0 GPH	15.0 GPH	14.0 GPH	13.0 GPH

P/N: 1243-735 (206H ONLY)

MCCALLEY LANDPLANE PROPELLER
NO LIMITATIONS OPERATION
AT OR BELOW 2000 RPM ABOVE 28 IN. HG
MANIFOLD PRESSURE

HARTZELL FLD/PLANE PROPELLER
NO LIMITATIONS

P/N: 1243-7363 (206H ONLY)

FLD/PLANE/AMPHIB
FLAPS UP STALL SPEED IS
APPROX. 5 KIAS LOWER
THAN INDICATOR MARKING

343-1116 (1U206 SERIES S/N 4050 THRU 6439)

FLD/PLANE OPERATIONS LIMITATIONS

The markings and placards installed in this airplane contain operating limitations which must be complied with when operating this airplane in the Normal Category. Other operating limitations which must be complied with when operating this airplane in this category are contained in the Pilot's Operating Handbook and FAA Approved Airplane Flight Manual Supplement.

P/N: 1243-7337 (206H ONLY)

SEAPLANE/AMPHIBIAN MAXIMUM ALTITUDE - 17,000 FEET

P/N: 343-1121 (1U206 SERIES S/N 3522 AND UP & 1U206H)

FLD/PLANE MANEUVERING SPEED 122 KIAS

P/N: 1243-7338 (206H ONLY)

WARNING
IN FLD/PLANE AND AMPHIBIAN RETRACT
FLAPS TO 20 DEG. IMMEDIATELY AFTER
APPLYING POWER FOR BRKED LANDING GO AROUND

343-119 (1U206 SERIES EXCEPT H MODEL)

FLD/PLANE/AMPHIBIAN
FLAPS UP STALL SPEED IS
APPROX. 4 KIAS LOWER
THAN INDICATOR MARKING

343-1117 (1U206 SERIES S/N 2389 & 3021 THRU 6439)

WEIGHT AND BALANCE MODEL 3450 AMPHIB.

ITEM	WT.	ARM	MDM.
1. FLDAT ASS Y COMPLETE WITH STEPS (NOT INCLUDING BELOW ITEMS)	634.00	41.68	26425
2. ADD CANOE PADDOLES	4.50	45.00	202
3. ADD VENTRAL FIN	4.50	214.00	963
ADD OPTIONAL RIGHT EXTENDED CARGO STEP (EXCHANGE)	6.00	107.00	640
*4. ADD HARTZELL PROP REMOVE MCCALLEY PROP (EXCHANGE)	10.90	-21.00	-229

WEIGHT AND BALANCE MODEL 3450 SEAPLANE.

ITEM	WT.	ARM	MDM.
1. FLDAT ASSEMBLY COMPLETE WITH STEPS 444.00 (NOT INCLUDING BELOW ITEMS)	444.00	45.68	20282
2. ADD CANOE PADDOLES	4.50	45.00	202
3. ADD VENTRAL FIN	4.50	214.00	963
ADD OPTIONAL RIGHT EXTENDED CARGO STEP (EXCHANGE)	6.00	107.00	640
REMOVE FUSELAGE ITEMS			

ITEM	WT.	ARM	MDM.
1. MAIN GEAR L/R (APPROX)	-121.00	63.10	-7823
2. NOSE GEAR (APPROX)	-41.00	-1.68	28

*HARTZELL PROP (HC-529P-105/618EA-26) SPINNER (0-4576-1P)
MCCALLEY PROP (630362438) SPINNER (2150151-2)

PLACARDS AND MISC DATA CESSNA 206
FIGURE 29