



SERVICE LETTER NUMBER 151			
TITLE: Replacement Grove Wheel			
BY: D. Smith	AIRCRAFT MAKE/MODEL(S):	FLOAT MODEL(S):	NOTE(S):
APP: S.Wagner	VARIES	2100, 2350, 3000, 3450	OPTIONAL
DATE: 9/2/13			
REV: A			

FAA APPROVAL HAS BEEN OBTAINED FOR TECHNICAL DATA IN THIS PUBLICATION THAT AFFECTS STC OR TSO DESIGN COMPLIANCE

EFFECTIVITY:

This service letter applies to all Serial Numbers prior to the following numbers:

2100 float: 21827A/21828A
2350 float: 23149A/23150A
3000 float: 30239A/30240A
3450 float: 34281A/34282A

COMPLIANCE:

This service letter is optional.

BACKGROUND:

Wipaire has changed the nose wheel assembly in these floats, from a Parker wheel to a Grove wheel, starting with the serial numbers listed above.

COMPLIANCE METHOD:

Remove Parker wheel and hardware and replace with Grove wheel and hardware.

APPROX. SHOP HOURS:

The functions outlined by this Service letter will take approximately 2-4 hrs. to accomplish.

WARRANTY INFORMATION:

This service letter does not include any warranty, labor or parts.

TECHNICAL DATA:

Copies of this service letter, float service manuals, and float parts manuals are available on the website www.wipaire.com.

For basic model 2100/2350 maintenance information, see Wipaire Service Manual 1002549

For basic model 3000/3450 maintenance information, see Wipaire Service Manual 1002550

NOTES:

Table 1 shows replacement parts list with parts to be replaced.

Fig. 2 shows Parker nose wheel assembly.

Fig. 3 shows Grove nose wheel assembly.

1. Secure airplane safely first before following the procedures for replacement of parts.
2. Jack up the float until tires are no longer in contact with ground. (Refer to float service manual section 4.0)
3. Remove nose wheel assembly from nose gear forks, as shown in Fig 2. Also remove tire and tube off wheel assembly (21A06000-021 or 30A06000-025) for reuse.
4. Mount tube and tire on Grove wheel and replace parts according to Table 1, reassemble nose wheel assembly as shown in Fig. 3
5. After reassembly is complete, pump grease into greasezerk until entire bearing cavity is full and a steady stream of grease is exiting the vent hole in the opposite end of the axle bolt.

ORIGINAL PARTS	ITEM AND FIG. #	KIT (-1) PARTS	ITEM AND FIG. #
21A06000-021	2-2.1	49-12AF-001	3-3.1
3A06259-001	4-2.1	1005929	2-3.1
3A06702-002	5-2.1	1005927	1-3.1

TABLE 1.1
PARTS LIST 2100/2350

ORIGINAL PARTS	ITEM AND FIG. #	KIT (-2) PARTS	ITEM AND FIG. #
30A06000-025	2-2.2	49-12AF-001	6-3.2
3A06259-001	3-2.2	1005928	2-3.2
3A06702-002	5-2.2	1005927	1-3.2

TABLE 1.2
PARTS LIST 3000/3450

ITEM	QTY	PART NUMBER	DESCRIPTION
1	1	1095K41	COMMON GREASEZERK
2	1	21A06000-021	ASSEMBLY, NOSE WHEEL
3	1	21A06020-001	FORK, NOSE GEAR
4	2	3A06259-001	SPACER, NOSE WHEEL
5	1	3A06702-002	BOLT, MODIFIED, AXLE, NOSE GEAR
6	1	3A06702-003	MODIFIED WASHER
7	1	MS21083N8	NUT
8	2	NAS1149D0863J	WASHER

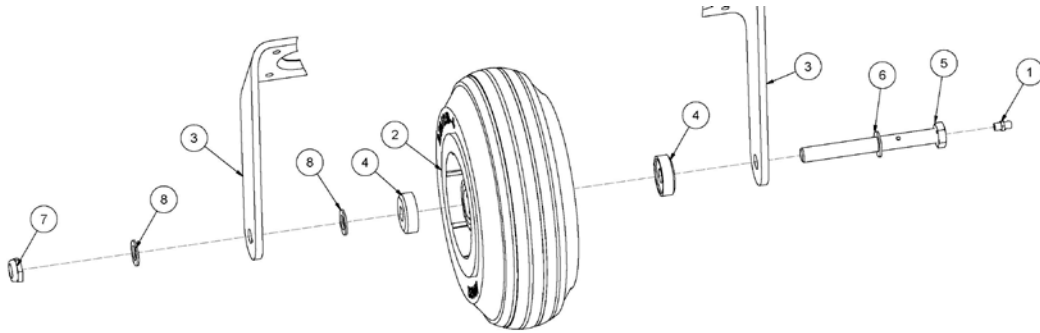


Fig. 2.1
 Parker on 2100/2350

ITEM	QTY	PART NUMBER	DESCRIPTION
1	1	1005927	BOLT, MODIFIED, AXLE, NOSE GEAR
2	2	1005929	SPACER, AXLE, NOSE GEAR
3	1	49-12AF-001	NOSE WHEEL
4	1	1095K41	COMMON GREASEZERK
5	1	21A06020-001	FORK, NOSE GEAR
6	1	3A06702-003	MODIFIED WASHER
7	1	MS21083N8	NUT
8	1	NAS1149D0863J	WASHER

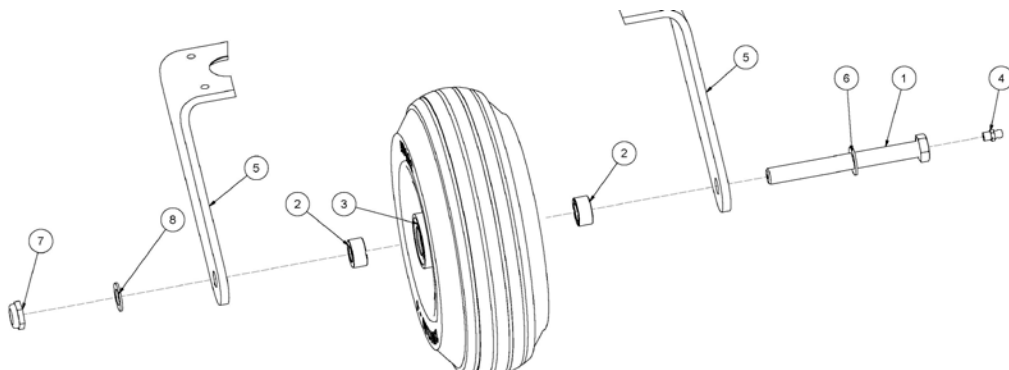


Fig. 3.1
 Grove on 2100/2350

ITEM	QTY	PART NUMBER	DESCRIPTION
1	1	1095K41	COMMON GREASEZERK
2	1	30A06000-025	ASSEMBLY, NOSE WHEEL
3	2	3A06259-001	SPACER, NOSE WHEEL
4	1	3A06438-001	FORK, NOSE GEAR
5	1	3A06702-002	BOLT, MODIFIED, AXLE, NOSE GEAR
6	1	3A06702-003	MODIFIED WASHER
7	1	MS21083N8	NUT
8	1	NAS1149D0863J	WASHER

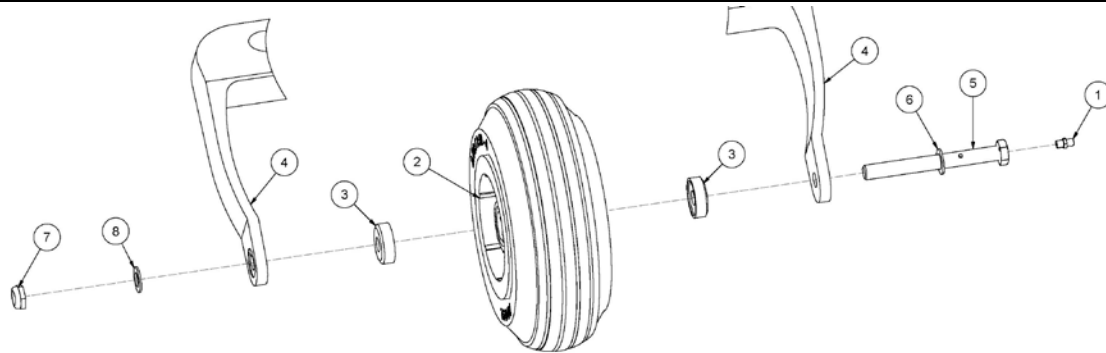


Fig. 2.2
 Parker on 3000/3450

ITEM	QTY	PART NUMBER	DESCRIPTION
1	1	1005927	BOLT, MODIFIED, AXLE, NOSE GEAR
2	2	1005928	SPACER, AXLE, NOSE GEAR
3	1	1095K41	COMMON GREASEZERK
4	1	3A06438-001	FORK, NOSE GEAR
5	1	3A06702-003	MODIFIED WASHER
6	1	49-12AF-001	NOSE WHEEL
7	1	MS21083N8	NUT
8	1	NAS1149D0863J	WASHER

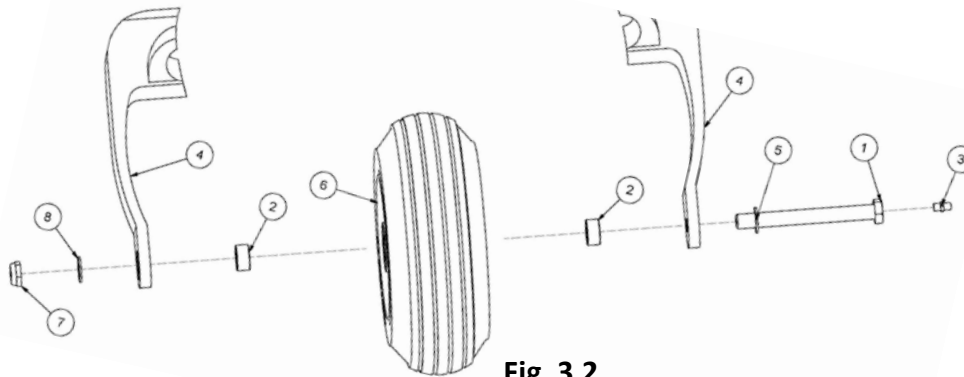


Fig. 3.2
 Grove on 3000/3450
 ### END ###