



WIPLINE FLOATS • SKIS • MODIFICATIONS • AIRCRAFT SALES
AVIONICS • INTERIOR • MAINTENANCE • PAINT REFINISHING

WIPLINE FLOATS

MODEL 3000

PARTS MANUAL



CESSNA 182

1700 Henry Ave – Fleming Field (KSGS), South St. Paul, MN 55075

Ph: 651.451.1205 Fax: 651.457.7858

www.wipaire.com

THIS PAGE INTENTIONALLY LEFT BLANK

WIPLINE MODEL 3000 FLOAT PARTS MANUAL

TABLE OF CONTENTS

| <u>SECTION</u> | <u>PAGE</u> |
|--|-------------|
| LOG OF REVISIONS | 5 |
| FLOAT PART SALES DEPT. OPERATIONS..... | 6 |
| PARTS ORDERING | 6 |
| DAMAGED GOODS | 6 |
| RETURNED PARTS..... | 6 |
| ORDER SHORTAGES | 7 |
| CREDIT POLICY | 7 |
| LIST OF ABBREVIATIONS | 7 |
| NEW CUSTOMER INFORMATION..... | 8 |
| HULL ASSEMBLY – AMPHIBIAN | 9 |
| HULL ASSEMBLY – SEAPLANE | 17 |
| TOP SKIN HULL ASSEMBLY - AMPHIBIAN | 25 |
| TOP SKIN - HULL – SEAPLANE | 29 |
| WHEEL WELL – ASSEMBLY – AMPHIBIAN..... | 33 |
| ASSEMBLY, WHEEL WELL (ALUM. GEAR) | 35 |
| EXTRUSIONS – HULL – AMPHIBIAN | 37 |
| EXTRUSIONS – HULL – SEAPLANE | 39 |
| PUMPER TUBE INSTALLATION..... | 41 |
| INSTALLATION WATER RUDDER..... | 43 |
| ASSEMBLY – NOSE GEAR RETRACTION | 47 |
| ASSEMBLY – NOSE GEAR – LOWER..... | 51 |
| ASSEMBLY - NOSE WHEEL (GROVE)..... | 53 |
| ASSEMBLY - NOSE WHEEL (PARKER)..... | 55 |
| MAIN GEAR INSTALLATION..... | 57 |
| MAIN GEAR RETRACTION..... | 59 |
| MAIN GEAR HYDRAULIC INSTALLATION | 63 |
| ASSEMBLY – MAIN GEAR WHEEL | 65 |

| | |
|--|-----|
| ASSEMBLY, SHOCK, MAIN GEAR (ALUM. GEAR)..... | 69 |
| ASSY. PIVOT, MAIN GEAR W/O WHEEL (ALUM. GEAR)..... | 71 |
| ASSY. PIVOT, MAIN GEAR WITH WHEEL (ALUM. GEAR)..... | 73 |
| ASSY., MAIN GEAR (ALUM. GEAR) | 77 |
| ASSEMBLY, ROTARY ACTUATOR, MAIN GEAR | 81 |
| INSTALLATION – STRUTS, WIRES AND SPREADER WIRES | 83 |
| INSTALLATION – STRUTS, WIRES AND SPREADER WIRES (4 POINT)..... | 89 |
| INSTALLATION – STEERING AND RETRACT SYSTEM | 93 |
| ASSEMBLY – RETRACT HANDLE..... | 97 |
| INSTALLATION – HYDRAULIC SYSTEM | 99 |
| ASSEMBLY – HYDRAULIC PUMP | 103 |
| INSTALLATION RUDDER VENTRAL FIN | 107 |
| INSTALLATION STEPS | 109 |
| HYDRAULIC SCHEMATIC – FIREWALL PUMP | 111 |
| HYDRAULIC PUMP SCHEMATIC – PUMP AFT FUSELAGE | 113 |
| ELECTRICAL SCHEMATIC | 115 |
| GEAR CONTROL (ROUND) | 117 |
| GEAR CONTROL (RECTANGLE) | 119 |
| HYDRAULIC PUMP | 121 |

NOTE:

Any information not found in this manual for strut package parts and other aircraft installation items, refer to the installation drawing package provided with the STC at the time of float installation. Additional drawing copies are available for purchase through the Wipaire Customer Service department.

WIPLINE MODEL 3000 PARTS MANUAL

LOG OF REVISIONS

| Revision | Pages Effected | Description | Date |
|----------|----------------------|--|-----------|
| A | 40, 51 | NOSE GEAR AND MAIN GEAR RETRACT CYLINDER P/N CHANGES | 3/17/06 |
| B | 20-26 | Changed float deck P/Ns. | 8/3/06 |
| C | 48 | REVISED P/N FOR BUBBLE 2.3 ON FIGURE 14 | 9/29/06 |
| D | 47-49 | Changed P/Ns for Main Gear Bushings Added part number and revision to all pages | 11/7/06 |
| E | 53 | Changed part number for wheel nut to MS21042-5 | 8/20/07 |
| F | 55-59 | Updated Figure 17 and associated parts list to reflect product improvement and hardware correction. | 3/1/08 |
| G | 90-91 | Revised placards. | 11/1/10 |
| H | ALL | Reformatted entire manual, update to Part Sales Dept page, added new warranty and customer information, added new style gear assemblies, updated multiple clerical errors and incorrect part/item callouts Added Grove Nose Wheel | 11/13/12 |
| J | 4, 5, 55, 57, 82-123 | Update to tube and tire P/N, added Rotary actuator assembly, washer 415067 was 359071 | 6/11/2013 |
| K | 3 | Removed Warranty Claim Form | 3/31/16 |
| | | | |
| | | | |
| | | | |
| | | | |
| | | | |
| | | | |
| | | | |
| | | | |

You may also look at the latest parts manual at www.wipaire.com
Hours: 7:00 AM – 6:00 PM, Monday through Friday

FLOAT PART SALES DEPT. OPERATIONS

Hours: 7:00 AM – 6:00 PM, Monday through Friday
Central U.S. Time

Phone: 651-306-0459

Fax: 651-306-0666

Email: customerservice@wipaire.com

Website: www.wipaire.com

Shipping Schedule:

In-stock orders received before 3:00 PM CST ship the same day. Orders received after this time may be assessed an AOG fee for special priority handling.

As we are primarily a manufacturer, our stocks can be rapidly depleted by production requirements. Therefore, prices and availability are subject to change at any time. It is our intent to provide courteous and prompt service of your needs. Please let us know of any problem or concerns so that changes in these procedures can be a benefit to all.

PARTS ORDERING

Purchase orders should include

1. P.O. Number
2. Name of person placing order
3. Invoicing information:
 - I. Customer name – company or individual
 - i. Address
 - ii. Phone and fax number
4. Shipping information:
 - I. Address (if different from invoice address)
 - II. Method of shipment/preferred carrier
5. Aircraft model, float model and serial numbers
6. Wipaire part number; name; type, e.g. left or right; quantity
7. Payment method: VISA, MasterCard, COD (U.S. customers only). Pre-payment by check or wire transfer, open account (see credit policy section).

DAMAGED GOODS

Inspect all parts upon receipt. Damages to parts in transit must be filed as a claim against the carrier.

RETURNED PARTS

Written explanation of reason for return must accompany parts, including invoice number of original shipment. Shipping charges on returned parts must be prepaid or the shipment will be refused.

ORDER SHORTAGES

Check shipment against delivery slip immediately. All claims for any shortages should be made within three (3) days after order receipt.

CREDIT POLICY

Parts will be shipped on open account, net 30 days, to Wipaire-approved credit customers only. A balance due over 60 days will result in no shipments. Wipaire, Inc reserves the right to send any order C.O.D.

LIST OF ABBREVIATIONS

All references in this manual to LEFT and RIG HT are from the perspective of the pilot's seat with the floats fully installed and ready for floatplane operation. The following is a list of abbreviations that may appear in the description nomenclature fields of this manual:

| | | | |
|---------|-------------|--------|---------------|
| AB | Afterbody | Inbd. | Inboard |
| Amphib. | Amphibious | Lg. | Large. |
| AR | As Required | Lt. | Left |
| Assy. | Assembly | Lwr. | Lower |
| Brkt. | Bracket | Opt. | Optional |
| Btm. | Bottom | Otbd. | Outboard |
| Bulk. | Bulkhead | Reinf. | Reinforcement |
| Ctr. | Center | Rr. | Rear |
| Cyl. | Cylinder | Rt. | Right |
| Ft. | Front | Sm. | Small |
| Ftg. | Fitting | SN | Serial Number |
| Fus. | Fuselage | Spr. | Spreader |
| Fwd. | Forward | Upr. | Upper |
| Horiz. | Horizontal | Vert. | Vertical |
| Hyd. | Hydraulic | W.W. | Wheel Well |
| | | Alum. | Aluminum |



NEW CUSTOMER INFORMATION

| | |
|--|--------------|
| Customer Name | |
| Billing Address | |
| Shipping address | |
| Phone Number | Fax Number |
| Purchasing Contact | Phone Number |
| E-Mail | Fax Number |
| Accounts Payable Contact | Phone Number |
| E-Mail | Fax Number |
| Type(s) of Floats and Skis owned or Maintained | |
| Models(s) of Floats and Skis owned or Maintained | |
| FedEx and/or UPS account number (if applicable) | |

Please return to Wipaire Customer Service:

Fax 651-306-0666

Phone 651-306-0459

CustomerService@wipaire.com

WIPLINE MODEL 3000 FLOAT PARTS MANUAL

HULL ASSEMBLY - AMPHIBIAN, FIGURE 1

| <u>REF NO.</u> | <u>NO.</u> | <u>REQ.</u> | <u>PART DESCRIPTION</u> | <u>PART NO.</u> |
|----------------|------------|-------------|--------------------------|-----------------|
| 1 | 1 | | ASS'Y. BULKHEAD #1 | 30A01000-329 |
| | 1 | | BULKHEAD MAIN | 30A01155-029 |
| | 8 | | NUT PLATES | MS21078-4 |
| 2 | 1 | | ASS'Y. BULKHEAD #3 | 30A01000-330 |
| | 1 | | BULKHEAD - MAIN | 30A01158-208 |
| | 1 | | ANGLE – NOSE BOX ATTACH | 30A01326-020 |
| | 1 | | ANGLE – NOSE BOX ATTACH | 30A01326-021 |
| | 1 | | ANGLE – BEND L. | 30A01359-211 |
| | 1 | | ANGLE – BEND R. | 30A01359-212 |
| | 1 | | ANGLE – SHORT L. | 30A01359-213 |
| | 1 | | ANGLE – SHORT R. | 30A01359-214 |
| | 2 | | SHIM – ANGLE | 30A01163-072 |
| 3 | 1 | | ASS'Y. BULKHEAD #4 | 30A01000-331 |
| | 1 | | BULKHEAD – MAIN L. | 30A01158-209 |
| | 1 | | BULKHEAD – MAIN R. | 30A01158-210 |
| | 1 | | SUPPORT – BULKHEAD LOWER | 30A01158-222 |
| | 1 | | ANGLE L. | 30A01359-223 |
| | 1 | | ANGLE R. | 30A01359-224 |
| | 2 | | ANGLE | 6A01359-004 |
| 4 | 1 | | ASS'Y. BULKHEAD #5 | 30A01000-336 |
| | 1 | | BULKHEAD - MAIN L. | 30A01158-211 |
| | 1 | | BULKHEAD - MAIN R. | 30A01158-212 |
| | 1 | | ANGLE – SIDE L. | 30A01352-037 |
| | 1 | | ANGLE – SIDE R. | 30A01352-038 |
| | 1 | | PANEL – SPR. BAR | 30A01155-032 |
| | 1 | | SUPPORT – BULKHEAD LOWER | 30A01158-223 |
| | 1 | | ANGLE L. | 30A01359-221 |
| | 1 | | ANGLE R. | 30A01359-222 |
| 5 | 1 | | ASS'Y. BULKHEAD #6 | 30A01000-332 |
| | 1 | | BULKHEAD – MAIN L. | 30A01158-213 |
| | 1 | | BULKHEAD – MAIN R. | 30A01158-214 |

WIPLINE MODEL 3000 FLOAT PARTS MANUAL

HULL ASSEMBLY - AMPHIBIAN, FIGURE 1

| <u>REF NO.</u> | <u>NO.</u> | <u>REQ.</u> | <u>PART DESCRIPTION</u> | <u>PART NO.</u> |
|----------------|------------|-------------|------------------------------|-----------------|
| | 1 | | SUPPORT – BULKHEAD LOWER | 30A01158-224 |
| | 6 | | ANGLE | 6A01359-004 |
| 6 | 1 | | ASS'Y. BULKHEAD #7 L. | 30A01000-333 |
| | 1 | | BULKHEAD – MAIN L. | 30A01158-215 |
| | 1 | | BULKHEAD – MAIN R. | 30A01158-216 |
| | 1 | | SUPPORT – BULKHEAD LOWER | 30A01158-225 |
| | 1 | | BAGGAGE FLOOR | 34A01008-116 |
| | 1 | | ANGLE - #7 BULKHEAD | 30A01326-036 |
| | 1 | | ANGLE - #7 BULKHEAD | 30A01326-037 |
| | 2 | | DOUBLER, SUPPORT BULKHEAD #7 | 1001110 |
| 7 | 1 | | ASS'Y. BULKHEAD #8 L | 30A01000-335 |
| | 1 | | BULKHEAD – MAIN L. | 30A01158-217 |
| | 1 | | BULKHEAD – MAIN R. | 30A01158-229 |
| | 1 | | SUPPORT – BULKHEAD LOWER | 30A01158-227 |
| | 6 | | ANGLE | 6A01359-004 |
| | 1 | | ASS'Y BULKHEAD #8 R | 30A01000-334 |
| | 1 | | BULKHEAD – MAIN L. | 30A01158-218 |
| | 1 | | BULKHEAD – MAIN R. | 30A01158-228 |
| | 1 | | SUPPORT – BULKHEAD LOWER | 30A01158-226 |
| | 6 | | ANGLE | 6A01359-004 |
| 8 | 1 | | ASS'Y. BULKHEAD #9 L | 30A01000-337 |
| | 1 | | BULKHEAD – MAIN L. | 30A01158-219 |
| | 1 | | BULKHEAD – MAIN R. | 30A01158-233 |
| | 1 | | SUPPORT – BULKHEAD LOWER | 30A01158-231 |
| | 4 | | ANGLE | 6A01359-004 |
| | 1 | | ASSY BULKHEAD #9 R | 30A01000-338 |
| | 1 | | BULKHEAD – MAIN L. | 30A01158-220 |
| | 1 | | BULKHEAD – MAIN R. | 30A01158-232 |
| | 1 | | SUPPORT – BULKHEAD LOWER | 30A01158-230 |
| | 4 | | ANGLE | 6A01359-004 |
| 9 | 1 | | ASS'Y. BULKHEAD #10 | 30A01000-339 |
| | 1 | | BULKHEAD – MAIN | 30A01158-221 |

WIPLINE MODEL 3000 FLOAT PARTS MANUAL

HULL ASSEMBLY - AMPHIBIAN, FIGURE 1

| <u>REF NO.</u> | <u>NO.</u> | <u>REQ.</u> | <u>PART DESCRIPTION</u> | <u>PART NO.</u> |
|----------------|------------|-------------|--------------------------|-----------------|
| | 1 | | ANGLE – SIDE L. | 30A01352-035 |
| | 1 | | ANGLE – SIDE R. | 30A01352-036 |
| | 1 | | PANEL – SPR. BAR | 30A01155-032 |
| | 2 | | ANGLE | 6A01359-004 |
| 10 | 1 | | ASS'Y. BULKHEAD #11 | 30A01000-340 |
| | 1 | | BULKHEAD – MAIN | 30A01158-204 |
| | 1 | | ANGLE L. | 30A01359-217 |
| | 1 | | ANGLE R. | 30A01359-216 |
| | 2 | | ANGLE | 6A01359-004 |
| 11 | 1 | | ASS'Y. BULKHEAD #12 | 30A01000-341 |
| | 1 | | BULKHEAD – MAIN | 30A01158-205 |
| | 1 | | ANGLE L. | 30A01359-217 |
| | 1 | | ANGLE R. | 30A01359-216 |
| | 2 | | ANGLE | 6A01359-004 |
| 12 | 1 | | ASS'Y. BULKHEAD #13 | 30A01000-342 |
| | 1 | | BULKHEAD - MAIN | 30A01158-206 |
| | 1 | | ANGLE L. | 30A01359-219 |
| | 1 | | ANGLE R. | 30A01359-218 |
| | 2 | | ANGLE | 6A01359-004 |
| 13 | 1 | | ASS'Y. BULKHEAD #14 | 30A01000-343 |
| | 1 | | BULKHEAD - MAIN | 30A01158-207 |
| | 1 | | CASTING – HINGE | 3A01437-001 |
| | 1 | | ANGLE UPPER | 30A01359-209 |
| | 1 | | ANGLE LOWER | 30A01359-210 |
| | 4 | | ANGLE | 6A01359-004 |
| 14 | 1 | | ASS'Y SPR. BAR PANEL FWD | 30A03000-354 |
| | 1 | | PANEL – SPR. BAR | 30A01155-031 |
| | 1 | | ANGLE – SIDE L. | 30A01352-039 |
| | 1 | | ANGLE – SIDE R. | 30A01352-040 |
| | 2 | | ANGLE | 6A01359-004 |
| | 1 | | BOLT | AN4-5A |

WIPLINE MODEL 3000 FLOAT PARTS MANUAL

HULL ASSEMBLY - AMPHIBIAN, FIGURE 1

| <u>REF NO.</u> | <u>NO.</u> | <u>REQ.</u> | <u>PART DESCRIPTION</u> | <u>PART NO.</u> |
|----------------|------------|-------------|-----------------------------------|-----------------|
| | 1 | | WASHER | NAS1149F0463P |
| | 1 | | NUT | MS21044N4 |
| 15 | 1 | | ASS'Y. SPR. BAR PANEL AFT | 30A01000-353 |
| | 1 | | PANEL – SPR. BAR | 30A01155-031 |
| | 1 | | ANGLE – SIDE L. | 30A01352-033 |
| | 1 | | ANGLE – SIDE R. | 30A01352-034 |
| | 2 | | ANGLE | 30A01156-125 |
| | 1 | | BOLT | AN4-5A |
| | 1 | | WASHER | NAS1149F0463P |
| | 1 | | NUT | MS21044N4 |
| 16 | 1 | | NOSE BUMPER | 30A01000-365 |
| | 2 | | ANGLE | 30A01359-225 |
| 17 | 1 | | STEP – BOARDING | 30A01000-358 |
| 18 | 2 | | REINFORCEMENT – COVER | 30A01156-144 |
| 19 | 2 | | COVER SIDE ACCESS ASSY. | 21A01000-427 |
| | 56 | | SCREW – ATTACH | AN526-632R6 |
| 20 | 1 | | SIDE SKIN – FWD L. OUTBR'D ASS'Y. | 30A01000-367 |
| | 1 | | SIDE SKIN – FWD L. OUTBR'D | 30A01148-005 |
| | 1 | | STIFFENER | 30A01340-153 |
| | 1 | | STIFFENER | 30A01340-133 |
| | 1 | | STIFFENER | 30A01340-134 |
| | 1 | | STIFFENER | 30A01340-135 |
| | 1 | | STIFFENER | 30A01340-136 |
| | 1 | | SIDE SKIN – FWD R. OUTBR'D ASS'Y. | 30A01000-368 |
| | 1 | | SIDE SKIN – FWD R. OUTBR'D | 30A01148-006 |
| | 1 | | STIFFENER | 30A01340-153 |
| | 1 | | STIFFENER | 30A01340-133 |
| | 1 | | STIFFENER | 30A01340-134 |
| | 1 | | STIFFENER | 30A01340-135 |
| | 1 | | STIFFENER | 30A01340-136 |

WIPLINE MODEL 3000 FLOAT PARTS MANUAL

HULL ASSEMBLY - AMPHIBIAN, FIGURE 1

| <u>REF NO.</u> | <u>NO.</u> | <u>REQ.</u> | <u>PART DESCRIPTION</u> | <u>PART NO.</u> |
|----------------|------------|-------------|--|-----------------|
| 21 | 1 | | SIDE SKIN – MIDDLE L. OUTBR'D ASS'Y. | 30A01000-378 |
| | 1 | | SIDE SKIN – MIDDLE L. OUTBR'D | 30A01148-011 |
| | 1 | | SIDE SKIN – MIDDLE L. OUTBR'D ASS'Y.(ALUM. GEAR) | 1005572 |
| | 1 | | SIDE SKIN – MIDDLE L. OUTBR'D (ALUM. GEAR) | 1005568 |
| | 1 | | STIFFENER | 30A01340-137 |
| | 1 | | STIFFENER | 30A01340-152 |
| | 1 | | STIFFENER | 30A01340-138 |
| | 1 | | SIDE SKIN – MIDDLE R. OUTBR'D ASSY. | 30A01000-377 |
| | 1 | | SIDE SKIN – MIDDLE R. OUTBR'D | 30A01148-011 |
| | 1 | | SIDE SKIN – MIDDLE R. OUTBR'D ASSY. (ALUM. GEAR) | 1005571 |
| | 1 | | SIDE SKIN – MIDDLE R. OUTBR'D (ALUM. GEAR) | 1005568 |
| | 1 | | STIFFENER | 30A01340-137 |
| | 1 | | STIFFENER | 30A01340-152 |
| | 1 | | STIFFENER | 30A01340-138 |
| | 1 | | SIDE SKIN – MIDDLE L. INBR'D ASS'Y. | 30A01000-379 |
| | 1 | | SIDE SKIN – MIDDLE L. INBR'D | 30A01148-007 |
| | 1 | | SIDE SKIN – MIDDLE L. INBR'D ASS'Y. (ALUM. GEAR) | 1005570 |
| | 1 | | SIDE SKIN – MIDDLE L. INBR'D (ALUM. GEAR) | 1005567 |
| | 1 | | STIFFENER | 30A01340-137 |
| | 1 | | STIFFENER | 30A01340-152 |
| | 1 | | STIFFENER | 30A01340-138 |
| | 1 | | STIFFENER | 30A01340-139 |
| | 1 | | BRACKET, CANOE PADDLE | 1002114 |
| | 1 | | CLIP | 3A01503-001 |
| | 1 | | SIDE SKIN – MIDDLE R. INBR'D ASS'Y. | 30A01000-380 |
| | 1 | | SIDE SKIN – MIDDLE R. INBR'D | 30A01148-007 |
| | 1 | | SIDE SKIN – MIDDLE R. INBR'D ASS'Y. (ALUM. GEAR) | 1005569 |
| | 1 | | SIDE SKIN – MIDDLE R. INBR'D (ALUM. GEAR) | 1005567 |
| | 1 | | STIFFENER | 30A01340-137 |
| | 1 | | STIFFENER | 30A01340-152 |
| | 1 | | STIFFENER | 30A01340-138 |
| | 1 | | STIFFENER | 30A01340-139 |
| | 1 | | BRACKET, CANOE PADDLE | 1002114 |
| | 1 | | CLIP | 3A01503-001 |

WIPLINE MODEL 3000 FLOAT PARTS MANUAL

HULL ASSEMBLY - AMPHIBIAN, FIGURE 1

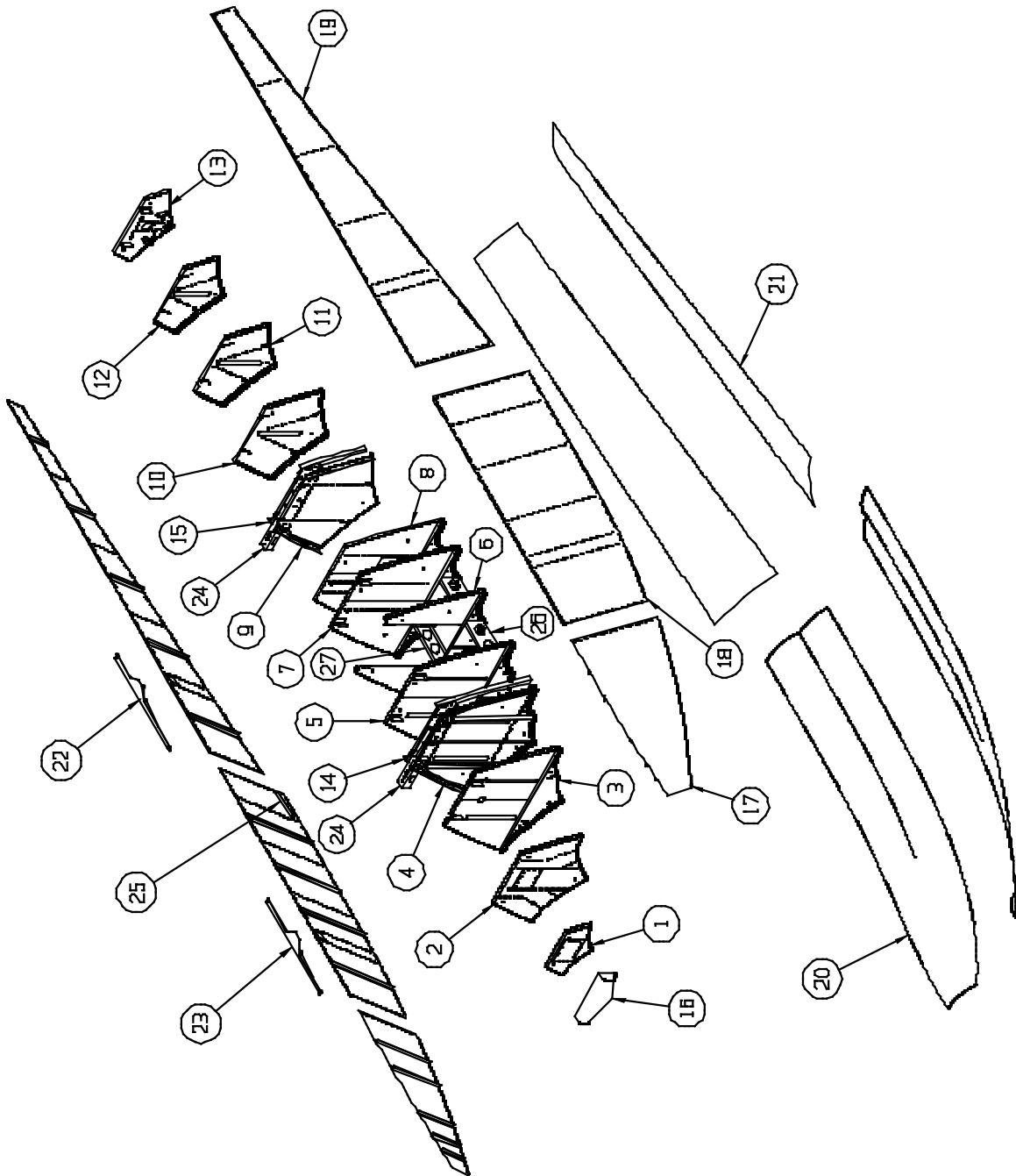
| <u>REF NO.</u> | <u>NO.</u> | <u>REQ.</u> | <u>PART DESCRIPTION</u> | <u>PART NO.</u> |
|----------------|------------|-------------|-----------------------------------|-----------------|
| 22 | 1 | | SIDE SKIN – AFT L. OUTBR'D ASS'Y. | 30A01000-381 |
| | 1 | | SIDE SKIN – AFT L. OUTBR'D | 30A01148-013 |
| | 1 | | STIFFENER | 30A01340-140 |
| | 1 | | STIFFENER | 30A01340-141 |
| | 1 | | STIFFENER | 30A01340-142 |
| | 1 | | STIFFENER | 30A01340-143 |
| | 1 | | STIFFENER | 30A01340-144 |
| | 1 | | SIDE SKIN – AFT R. OUTBR'D ASS'Y. | 30A01000-382 |
| | 1 | | SIDE SKIN – AFT R. OUTBR'D | 30A01148-013 |
| | 1 | | STIFFENER | 30A01340-140 |
| | 1 | | STIFFENER | 30A01340-141 |
| | 1 | | STIFFENER | 30A01340-142 |
| | 1 | | STIFFENER | 30A01340-143 |
| | 1 | | STIFFENER | 30A01340-144 |
| | 1 | | SIDE SKIN – AFT L. INBR'D ASS'Y. | 30A01000-383 |
| | 1 | | SIDE SKIN – AFT L. INBR'D | 30A01148-009 |
| | 1 | | STIFFENER | 30A01340-140 |
| | 1 | | STIFFENER | 30A01340-141 |
| | 1 | | STIFFENER | 30A01340-142 |
| | 1 | | STIFFENER | 30A01340-143 |
| | 1 | | STIFFENER | 30A01340-144 |
| | 1 | | BRACKET, CANOE PADDLE STOP, L/H | 6A01156-059 |
| | 1 | | PADDLE, 5FT, BEAVER BRAND | 0238-0050 |
| | 1 | | SIDE SKIN – AFT R. INBR'D ASS'Y. | 30A01000-384 |
| | 1 | | SIDE SKIN – AFT R. INBR'D | 30A01148-010 |
| | 1 | | STIFFENER | 30A01340-140 |
| | 1 | | STIFFENER | 30A01340-141 |
| | 1 | | STIFFENER | 30A01340-142 |
| | 1 | | STIFFENER | 30A01340-143 |
| | 1 | | STIFFENER | 30A01340-144 |
| | 1 | | BRACKET, CANOE PADDLE STOP, R/H | 6A01156-058 |
| | 1 | | PADDLE, 5FT, BEAVER BRAND | 0238-0050 |
| 23 | 1 | | BOTTOM SKIN FWD L. | 30A01151-103 |
| | 1 | | BOTTOM SKIN FWD R. | 30A01151-102 |

WIPLINE MODEL 3000 FLOAT PARTS MANUAL

HULL ASSEMBLY - AMPHIBIAN, FIGURE 1

| <u>REF NO.</u> | <u>NO.</u> | <u>REQ.</u> | <u>PART DESCRIPTION</u> | <u>PART NO.</u> |
|----------------|------------|-------------|-----------------------------|-----------------|
| 24 | 1 | | BOTTOM SKIN AFTERBODY L. | 30A01148-037 |
| | 1 | | BOTTOM SKIN AFTERBODY R. | 30A01148-038 |
| 25 | 1 | | DOUBLER – GUNWALL AFT L. | 30A01162-047 |
| | 1 | | DOUBLER – GUNWALL AFT R. | 30A01162-048 |
| 26 | 1 | | DOUBLER – GUNWALL FWD L. | 30A01162-045 |
| | 1 | | DOUBLER – GUNWALL FWD R. | 30A01162-046 |
| 27 | 1 | | TUBE – SPR. BAR MOUNTING R. | 30A03319-001 |
| | 1 | | TUBE – SPR. BAR MOUNTING L. | 30A03319-002 |
| | 6 | | BOLT | AN5-24A |
| | 6 | | WASHER | NAS1149D0532J |
| | 12 | | WASHER | NAS1149D0563J |
| | 6 | | NUT | MS21044N5 |
| 28 | 2 | | BAGGAGE REINFORCEMENT | 34A01005-385 |
| | 4 | | ANGLE | 34A01340-173 |
| | 4 | | ANGLE | 34A01340-174 |
| 29 | 2 | | BAGGAGE REINFORCEMENT | 34A01005-384 |
| | 4 | | ANLGE | 34A01340-173 |
| | 4 | | ANGLE | 34A01340-174 |

WIPLINE MODEL 3000 FLOAT PARTS MANUAL



HULL ASSEMBLY – SEAPLANE
FIGURE 2

WIPLINE MODEL 3000 FLOAT PARTS MANUAL

HULL ASSEMBLY - SEAPLANE, FIGURE 2

| <u>REF NO.</u> | <u>NO.</u> | <u>REQ.</u> | <u>PART DESCRIPTION</u> | <u>PART NO.</u> |
|----------------|------------|-------------|--------------------------|-----------------|
| 1 | 1 | | ASS'Y. BULKHEAD #1 | 30A01000-329 |
| | 1 | | BULKHEAD MAIN | 30A01155-029 |
| | 1 | | COVER – BULKHEAD | 30S01158-263 |
| | 8 | | NUT PLATES | MS21078-4 |
| 2 | 1 | | ASS'Y. BULKHEAD #3 | 30A01000-330 |
| | 1 | | BULKHEAD - MAIN | 30A01158-208 |
| | 1 | | ANGLE – NOSE BOX ATTACH | 30A01326-020 |
| | 1 | | ANGLE – NOSE BOX ATTACH | 30A01326-021 |
| | 1 | | ANGLE – BEND L. | 30A01359-211 |
| | 1 | | ANGLE – BEND R. | 30A01359-212 |
| | 1 | | ANGLE – SHORT L. | 30A01359-213 |
| | 1 | | ANGLE – SHORT R. | 30A01359-214 |
| | 2 | | SHIM – ANGLE | 30A01163-072 |
| | 1 | | COVER – BULKHEAD | 30S01158-264 |
| 3 | 1 | | ASS'Y. BULKHEAD #4 | 30A01000-331 |
| | 1 | | BULKHEAD – MAIN L. | 30A01158-209 |
| | 1 | | BULKHEAD – MAIN R. | 30A01158-210 |
| | 1 | | SUPPORT – BULKHEAD LOWER | 30A01158-222 |
| | 1 | | ANGLE L. | 30A01359-223 |
| | 1 | | ANGLE R. | 30A01359-224 |
| | 2 | | ANGLE | 6A01359-004 |
| 4 | 1 | | ASS'Y. BULKHEAD #5 | 30A01000-336 |
| | 1 | | BULKHEAD - MAIN L. | 30A01158-211 |
| | 1 | | BULKHEAD - MAIN R. | 30A01158-212 |
| | 1 | | ANGLE – SIDE L. | 30A01352-037 |
| | 1 | | ANGLE – SIDE R. | 30A01352-038 |
| | 1 | | PANEL – SPR. BAR | 30A01155-032 |
| | 1 | | SUPPORT – BULKHEAD LOWER | 30A01158-223 |
| | 1 | | ANGLE L. | 30A01359-221 |
| | 1 | | ANGLE R. | 30A01359-222 |
| | 2 | | ANGLE | 6A01359-004 |
| 5 | 1 | | ASS'Y. BULKHEAD #6 | 30A01000-332 |
| | 1 | | BULKHEAD – MAIN L. | 30A01158-213 |

WIPLINE MODEL 3000 FLOAT PARTS MANUAL

HULL ASSEMBLY - SEAPLANE, FIGURE 2

| <u>REF NO.</u> | <u>NO.</u> | <u>REQ.</u> | <u>PART DESCRIPTION</u> | <u>PART NO.</u> |
|----------------|------------|-------------|--------------------------------|-----------------|
| | 1 | | BULKHEAD – MAIN R. | 30A01158-214 |
| | 1 | | SUPPORT – BULKHEAD LOWER | 30A01158-224 |
| | 6 | | ANGLE | 6A01359-004 |
| 6 | 1 | | ASS'Y. BULKHEAD #7 | 30A01000-333 |
| | 1 | | BULKHEAD – MAIN L. | 30A01158-215 |
| | 1 | | BULKHEAD – MAIN R. | 30A01158-216 |
| | 1 | | SUPPORT – BULKHEAD LOWER | 30A01158-225 |
| | 1 | | ANGLE-- #7 BULKHEAD | 30A01326-036 |
| | 1 | | ANGLE-- #7 BULKHEAD | 30A01326-037 |
| | 2 | | DOUBLER, SUPPORT BULKHEAD | 1001110 |
| | 1 | | BAGGAGE FLOOR | 34A01008-116 |
| 7 | 1 | | ASS'Y. BULKHEAD #8 LEFT ASSY. | 30A01000-335 |
| | 1 | | BULKHEAD – MAIN L. | 30A01158-217 |
| | 1 | | BULKHEAD – MAIN R. | 30A01158-229 |
| | 1 | | SUPPORT – BULKHEAD LOWER | 30A01158-227 |
| | 6 | | ANGLE | 6A01359-004 |
| | 1 | | ASS'Y. BULKHEAD #8 RIGHT ASSY. | 30A01000-334 |
| | 1 | | BULKHEAD – MAIN L. | 30A01158-218 |
| | 1 | | BULKHEAD – MAIN R. | 30A01158-228 |
| | 1 | | SUPPORT – BULKHEAD LOWER | 30A01158-226 |
| | 6 | | ANGLE | 6A01359-004 |
| 8 | 1 | | ASS'Y. BULKHEAD #9 | 30S01000-407 |
| | 1 | | BULKHEAD – MAIN L. | 34A01158-239 |
| | 1 | | BULKHEAD – MAIN R. | 34A01158-240 |
| | 1 | | SUPPORT – BULKHEAD LOWER | 34A01158-241 |
| | 4 | | ANGLE | 6A01359-004 |
| | 1 | | ANGLE | 34S01158-258 |
| | 1 | | ANGLE | 34S01158-259 |
| | 2 | | DOUBLER, SISTER KEEL BULKHEAD | 4S01158-098 |
| 9 | 1 | | ASS'Y. BULKHEAD #10 | 30S01000-408 |
| | 1 | | BULKHEAD – MAIN | 30A01158-221 |
| | 1 | | ANGLE – SIDE L. | 30A01352-035 |
| | 1 | | ANGLE – SIDE R. | 30A01352-036 |

WIPLINE MODEL 3000 FLOAT PARTS MANUAL

HULL ASSEMBLY - SEAPLANE, FIGURE 2

| <u>REF NO.</u> | <u>NO.</u> | <u>REQ.</u> | <u>PART DESCRIPTION</u> | <u>PART NO.</u> |
|----------------|------------|-------------|---------------------------|-----------------|
| | 1 | | PANEL – SPR. BAR | 30A01155-032 |
| | 4 | | ANGLE | 6A01359-004 |
| | 2 | | ANGLE | 30S01340-180 |
| 10 | 1 | | ASS'Y. BULKHEAD #11 | 30A01000-340 |
| | 1 | | BULKHEAD – MAIN | 30A01158-204 |
| | 1 | | ANGLE L. | 30A01359-217 |
| | 1 | | ANGLE R. | 30A01359-216 |
| | 2 | | ANGLE | 6A01359-004 |
| 11 | 1 | | ASS'Y. BULKHEAD #12 | 30A01000-341 |
| | 1 | | BULKHEAD – MAIN | 30A01158-205 |
| | 1 | | ANGLE L. | 30A01359-217 |
| | 1 | | ANGLE R. | 30A01359-216 |
| | 2 | | ANGLE | 6A01359-004 |
| 12 | 1 | | ASS'Y. BULKHEAD #13 | 30A01000-342 |
| | 1 | | BULKHEAD - MAIN | 30A01158-206 |
| | 1 | | ANGLE L. | 30A01359-219 |
| | 1 | | ANGLE R. | 30A01359-218 |
| | 2 | | ANGLE | 6A01359-004 |
| 13 | 1 | | ASS'Y. BULKHEAD #14 | 30A01000-343 |
| | 1 | | BULKHEAD - MAIN | 30A01158-207 |
| | 1 | | CASTING – HINGE | 3A01437-001 |
| | 1 | | ANGLE UPPER | 30A01359-209 |
| | 1 | | ANGLE LOWER | 30A01359-210 |
| | 4 | | ANGLE | 6A01359-004 |
| 14 | 1 | | ASS'Y. SPR. BAR PANEL FWD | 30A01000-354 |
| | 1 | | PANEL – SPR. BAR | 30A01155-031 |
| | 1 | | ANGLE – SIDE L. | 30A01352-039 |
| | 1 | | ANGLE – SIDE R. | 30A01352-040 |
| | 2 | | ANGLE | 6A01359-004 |
| | 1 | | BOLT | AN4-5A |
| | 1 | | WASHER | NAS1149F0463P |

WIPLINE MODEL 3000 FLOAT PARTS MANUAL

HULL ASSEMBLY - SEAPLANE, FIGURE 2

| <u>REF NO.</u> | <u>NO.</u> | <u>REQ.</u> | <u>PART DESCRIPTION</u> | <u>PART NO.</u> |
|----------------|------------|-------------|-------------------------------------|-----------------|
| | 1 | | NUT | MS21044N4 |
| 15 | 1 | | ASS'Y. SPR. BAR PANEL AFT | 30A01000-353 |
| | 1 | | PANEL – SPR. BAR | 30A01155-031 |
| | 1 | | ANGLE – SIDE L. | 30A01352-033 |
| | 1 | | ANGLE – SIDE R. | 30A01352-034 |
| | 2 | | ANGLE | 30A01156-125 |
| | 1 | | BOLT | AN4-5A |
| | 1 | | WASHER | NAS1149F0463P |
| | 1 | | NUT | MS21044N4 |
| | 4 | | SCREW | 1032R10 |
| 16 | 1 | | NOSE BUMPER | 30S01739-001 |
| | 2 | | ANGLE | 30S01326-034 |
| | 4 | | SCREW | AN5261032R10 |
| 17 | 1 | | SIDE SKIN – FWD L. OUTBR'D ASS'Y. | 30A01000-367 |
| | 1 | | SIDE SKIN – FWD L. OUTBR'D | 30A01148-005 |
| | 1 | | STIFFENER | 30A01340-153 |
| | 1 | | STIFFENER | 30A01340-133 |
| | 1 | | STIFFENER | 30A01340-134 |
| | 1 | | STIFFENER | 30A01340-135 |
| | 1 | | STIFFENER | 30A01340-136 |
| | 1 | | SIDE SKIN – FWD R. OUTBR'D ASS'Y. | 30A01000-368 |
| | 1 | | SIDE SKIN – FWD R. OUTBR'D | 30A01148-006 |
| | 1 | | STIFFENER | 30A01340-153 |
| | 1 | | STIFFENER | 30A01340-133 |
| | 1 | | STIFFENER | 30A01340-134 |
| | 1 | | STIFFENER | 30A01340-135 |
| | 1 | | STIFFENER | 30A01340-136 |
| 18 | 1 | | SIDE SKIN – MIDDLE L. OUTBR'D ASS'Y | 30S01000-402 |
| | 1 | | SIDE SKIN – MIDDLE L. OUTBR'D | 30S01148-035 |
| | 1 | | STIFFENER | 30A01340-137 |
| | 1 | | STIFFENER | 30A01340-152 |
| | 1 | | STIFFENER | 30A01340-138 |
| | 1 | | STIFFENER | 30A01340-139 |

WIPLINE MODEL 3000 FLOAT PARTS MANUAL

HULL ASSEMBLY - SEAPLANE, FIGURE 2

| <u>REF NO.</u> | <u>NO.</u> | <u>REQ.</u> | <u>PART DESCRIPTION</u> | <u>PART NO.</u> |
|----------------|------------|-------------|--------------------------------------|-----------------|
| | 1 | | SIDE SKIN – MIDDLE R. OUTBR'D ASS'Y. | 30S01000-403 |
| | 1 | | SIDE SKIN – MIDDLE R. OUTBR'D | 30S01148-035 |
| | 1 | | STIFFENER | 30A01340-137 |
| | 1 | | STIFFENER | 30A01340-152 |
| | 1 | | STIFFENER | 30A01340-138 |
| | 1 | | STIFFENER | 30A01340-139 |
| | 1 | | SIDE SKIN – MIDDLE R. INBR'D ASS'Y. | 30S01000-400 |
| | 1 | | SIDE SKIN – MIDDLE R. INBR'D | 30S01148-033 |
| | 1 | | STIFFENER | 30A01340-137 |
| | 1 | | STIFFENER | 30A01340-152 |
| | 1 | | STIFFENER | 30A01340-138 |
| | 1 | | STIFFENER | 30A01340-139 |
| | 1 | | BRACKET, CANOE PADDLE | 1002114 |
| | 1 | | CLIP | 3A01503-001 |
| | 1 | | SIDE SKIN – MIDDLE L. INBR'D ASS'Y. | 30S01000-401 |
| | 1 | | SIDE SKIN – MIDDLE L. INBR'D | 30S01148-034 |
| | 1 | | STIFFENER | 30A01340-137 |
| | 1 | | STIFFENER | 30A01340-152 |
| | 1 | | STIFFENER | 30A01340-138 |
| | 1 | | STIFFENER | 30A01340-139 |
| | 1 | | BRACKET, CANOE PADDLE | 1002114 |
| | 1 | | CLIP | 3A01503-001 |
| 19 | 1 | | SIDE SKIN – AFT L. OUTBR'D ASS'Y. | 30A01000-381 |
| | 1 | | SIDE SKIN – AFT L. OUTBR'D | 30A01148-013 |
| | 1 | | STIFFENER | 30A01340-140 |
| | 1 | | STIFFENER | 30A01340-141 |
| | 1 | | STIFFENER | 30A01340-142 |
| | 1 | | STIFFENER | 30A01340-143 |
| | 1 | | STIFFENER | 30A01340-144 |
| | 1 | | SIDE SKIN – AFT R. OUTBR'D ASS'Y. | 30A01000-382 |
| | 1 | | SIDE SKIN – AFT R. OUTBR'D | 30A01148-013 |
| | 1 | | STIFFENER | 30A01340-140 |
| | 1 | | STIFFENER | 30A01340-141 |
| | 1 | | STIFFENER | 30A01340-142 |
| | 1 | | STIFFENER | 30A01340-143 |
| | 1 | | STIFFENER | 30A01340-144 |

WIPLINE MODEL 3000 FLOAT PARTS MANUAL

HULL ASSEMBLY - SEAPLANE, FIGURE 2

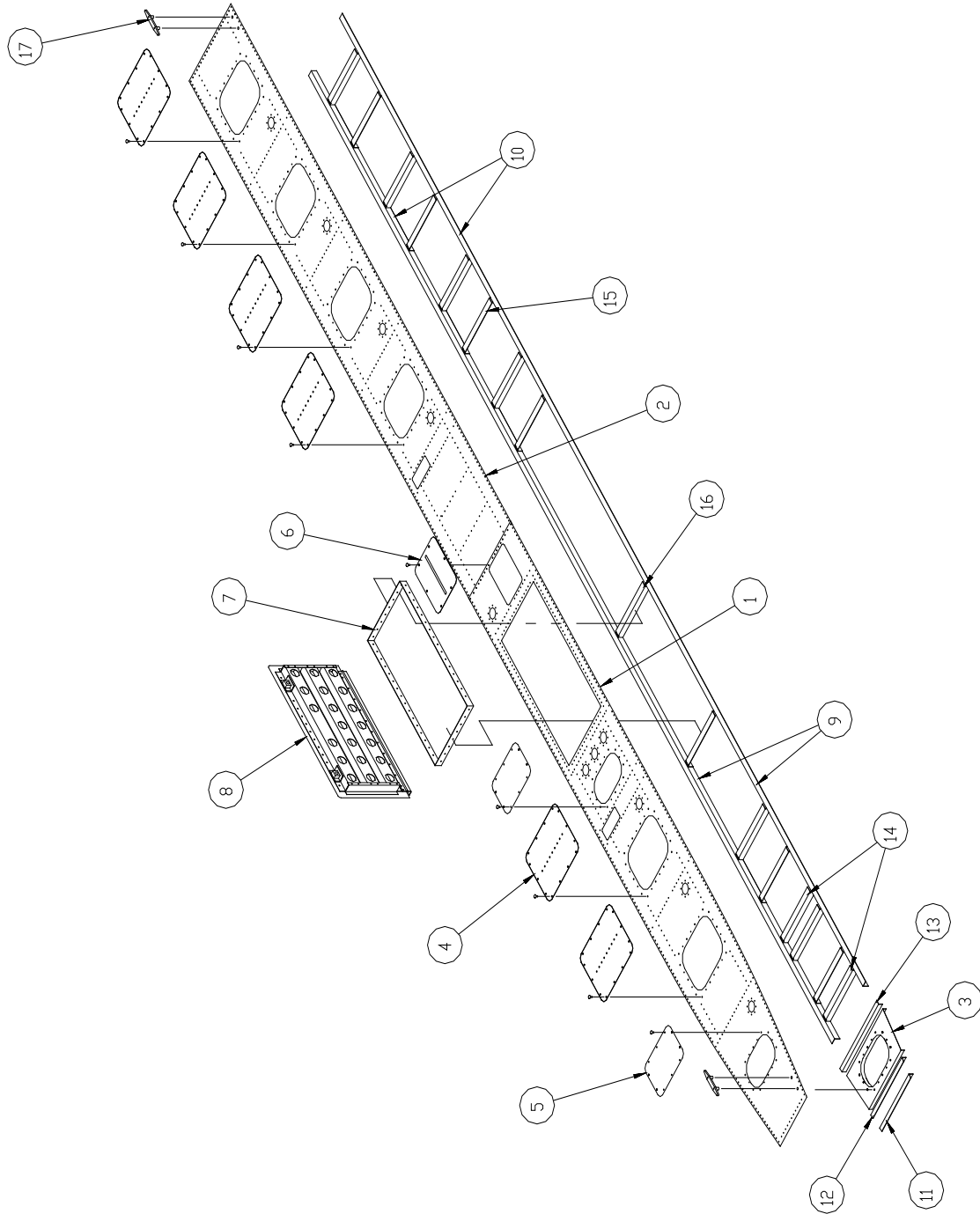
| <u>REF NO.</u> | <u>NO.</u> | <u>REQ.</u> | <u>PART DESCRIPTION</u> | <u>PART NO.</u> |
|----------------|------------|-------------|----------------------------------|-----------------|
| | 1 | | SIDE SKIN – AFT L. INBR'D ASS'Y. | 30A01000-383 |
| | 1 | | SIDE SKIN – AFT L. INBR'D | 30A01148-009 |
| | 1 | | STIFFENER | 30A01340-140 |
| | 1 | | STIFFENER | 30A01340-141 |
| | 1 | | STIFFENER | 30A01340-142 |
| | 1 | | STIFFENER | 30A01340-143 |
| | 1 | | STIFFENER | 30A01340-144 |
| | 1 | | BRACKET, CANOE PADDLE STOP, L/H | 6A01156-059 |
| | 1 | | PADDLE, 5FT, BEAVER BRAND | 0238-0050 |
| | 1 | | SIDE SKIN – AFT R. INBR'D ASS'Y. | 30A01000-384 |
| | 1 | | SIDE SKIN – AFT R. INBR'D | 30A01148-010 |
| | 1 | | STIFFENER | 30A01340-140 |
| | 1 | | STIFFENER | 30A01340-141 |
| | 1 | | STIFFENER | 30A01340-142 |
| | 1 | | STIFFENER | 30A01340-143 |
| | 1 | | STIFFENER | 30A01340-144 |
| | 1 | | BRACKET, CANOE PADDLE STOP, R/H | 6A01156-058 |
| | 1 | | PADDLE, 5FT, BEAVER BRAND | 0238-0050 |
| 20 | 1 | | BOTTOM SKIN FWD L. | 30A01151-103 |
| | 1 | | BOTTOM SKIN FWD R. | 30A01151-102 |
| 21 | 1 | | BOTTOM SKIN AFTERBODY L. | 30S01148-041 |
| | 1 | | BOTTOM SKIN AFTERBODY R. | 30S01148-042 |
| 22 | 1 | | DOUBLER – GUNWALL AFT L. | 30A01162-047 |
| | 1 | | DOUBLER – GUNWALL AFT R. | 30A01162-048 |
| 23 | 1 | | DOUBLER – GUNWALL FWD L. | 30A01162-045 |
| | 1 | | DOUBLER – GUNWALL FWD R. | 30A01162-046 |
| 24 | 1 | | TUBE – SPR. BAR MOUNTING R. | 30A03319-001 |
| | 1 | | TUBE – SPR. BAR MOUNTING L. | 30A03319-002 |
| | 6 | | BOLT | AN5-24A |
| | 6 | | WASHER | NAS1149D0532J |
| | 12 | | WASHER | NAS1149D0563J |
| | 6 | | NUT | MS21044N5 |

WIPLINE MODEL 3000 FLOAT PARTS MANUAL

HULL ASSEMBLY - SEAPLANE, FIGURE 2

| <u>REF NO.</u> | <u>NO.</u> | <u>PART DESCRIPTION</u> | <u>PART NO.</u> |
|----------------|------------|-------------------------|-----------------|
| 25 | 2 | DOUBLER – AFT CHINE | 30A01340-154 |
| 26 | 2 | BAGGAGE REINFORCEMENT | 34A01005-385 |
| | 4 | ANGLE | 34A01340-173 |
| | 4 | ANGLE | 34A01340-174 |
| 27 | 2 | BAGGAGE REINFORCEMENT | 34A01005-384 |
| | 4 | ANGLE | 34A01340-173 |
| | 4 | ANGLE | 34A01340-174 |

WIPLINE MODEL 3000 FLOAT PARTS MANUAL



TOP SKIN HULL ASSEMBLY - AMPHIBIAN
FIGURE 3

WIPLINE MODEL 3000 FLOAT PARTS MANUAL

TOP SKIN - HULL – AMPHIBIAN, FIGURE 3

| <u>REF NO.</u> | <u>NO.</u> | <u>REQ.</u> | <u>PART DESCRIPTION</u> | <u>PART NO.</u> |
|----------------|------------|-------------|--|-----------------|
| 1 | 1 | | SKIN – FWD SECTION L. | 30A01148-001 |
| | 1 | | SKIN – FWD SECTION L. (ALUM. GEAR) | 1005565 |
| | 1 | | SKIN – FWD SECTION R. | 30A01148-002 |
| | 1 | | SKIN – FWD SECTION R. (ALUM. GEAR) | 1005566 |
| 2 | 1 | | SKIN – AFT SECTION L. | 30A01148-003 |
| | 1 | | SKIN – AFT SECTION R. | 30A01148-004 |
| 3 | 1 | | SUPPORT – INSP. COVER – SMALL | 21A01002-131 |
| | A/R | | NUT – TINNERMAN | 9A3-671 |
| | A/R | | TAPE – INSULATOR | COMM. |
| 4 | 6 | | INSP. COVER – LARGE - W/ ANGLE & GASKETS | 21A01000-258 |
| | A/R | | SCREW – ATTACH | #8 X 5/8 |
| | 6 | | SEAL – GASKET ONLY | 1001437 |
| 5 | 2 | | INSP. COVER – SMALL & GASKETS | 21A01000-284 |
| | A/R | | SCREW – ATTACH | #8 X 5/8 |
| | 2 | | SEAL – GASKET ONLY | 21A01000-284 |
| 6 | 1 | | COVER – GEAR INDICATOR L. | 30A01002-203 |
| | 1 | | COVER – GEAR INDICATOR L. (ALUM. GEAR) | 1005561 |
| | 1 | | COVER – GEAR INDICATOR R. | 30A01002-202 |
| | 1 | | COVER – GEAR INDICATOR R. (ALUM. GEAR) | 1005560 |
| | 1 | | PLACARD – DOWN - LAND | 10A3-6338-1 |
| | 1 | | PLACARD – UP - WATER | 10A3-6338-2 |
| | 2 | | SCREW – CAM - LOK | 2600-4 |
| | 4 | | SCREW – CAM – LOK | 2600-5 |
| | 6 | | RECEPTACLE – CAM – LOK | 212-12N |
| 7 | 1 | | JAMB – BAGGAGE DOOR | 30A01162-042 |
| | 1 | | JAMB – BAGGAGE DOOR, HINGE SIDE | 1001573 |
| 8 | 1 | | ASS'Y. BAGGAGE DOOR | 30A01000-324 |

WIPLINE MODEL 3000 FLOAT PARTS MANUAL

TOP SKIN - HULL – AMPHIBIAN, FIGURE 3

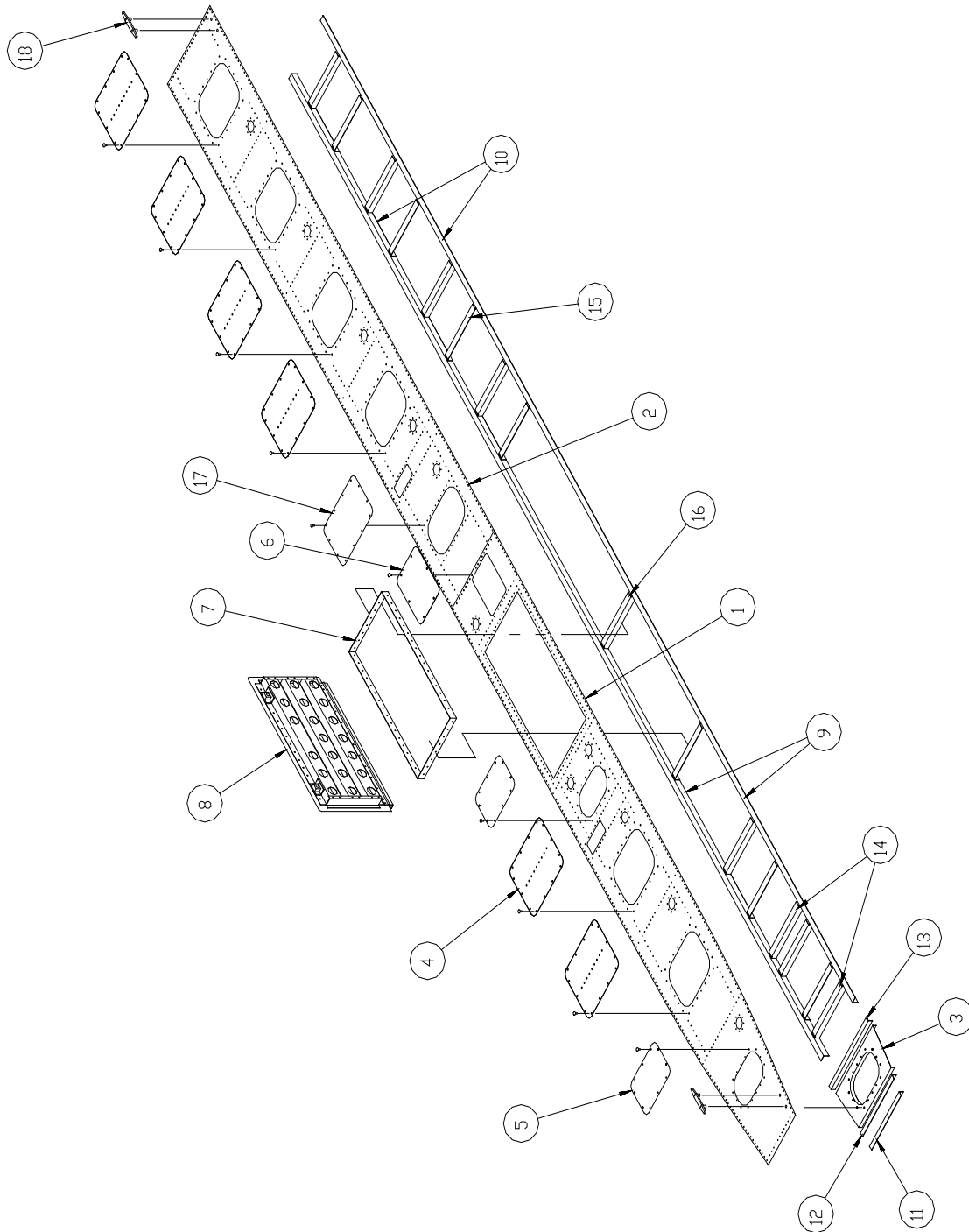
| <u>REF NO.</u> | <u>NO.</u> | <u>REQ.</u> | <u>PART DESCRIPTION</u> | <u>PART NO.</u> |
|----------------|------------|-------------|-----------------------------------|-----------------|
| | 1 | | COVER - SKIN | 30A01162-041 |
| | 1 | | PIN, HINGE | 1002186 |
| | 1 | | STIFFENER – DOOR | 30A01004-145 |
| | 2 | | STIFFENER - DOOR | 30A01004-144 |
| | 2 | | STIFFENER ENDS | 4A01004-049 |
| | 2 | | RETAINER - LOCK | 3A01206-001 |
| | 2 | | LOCK PIN | 3A01273-004 |
| | 2 | | CATCH – LATCH | 3A01702-001 |
| | 2 | | LOCK SPRING | 3A01525-003 |
| | 2 | | RING – OPENING | 1001838 |
| | 1 | | SEAL – GASKET (NOT SHOWN) | 1001499 |
| | 2 | | RING, BAGGAGE LOCK | 1002663 |
| | 1 | | HINGE, BAGGAGE COVER 3/4” | 30A01740-007 |
| | 1 | | HINGE, BAGGAGE COVER 1 ½ “ | 30A01741-006 |
| | 2 | | BOLT, BAGGAGE BAY COVER(MODIFIED) | 3A01702-004 |
| 9 | 1 | | TOP RAIL – FWD L. | 30A01326-025 |
| | 1 | | TOP RAIL – FWD R. | 30A01326-024 |
| 10 | 1 | | TOP RAIL – AFT L. | 30A01326-029 |
| | 1 | | TOP RAIL – AFT R. | 30A01326-028 |
| 11 | 1 | | STIFFENER | 30A01340-175 |
| 12 | 1 | | STIFFENER | 30A01340-176 |
| 13 | 1 | | STIFFENER | 30A01340-177 |
| 14 | 2 | | STIFFENER | 30A01326-032 |
| 15 | A/R | | STIFFENER | 30A01326-022 |
| 16 | 2 | | STIFFENER – BAGGAGE DOOR | 30A01326-030 |

WIPLINE MODEL 3000 FLOAT PARTS MANUAL

TOP SKIN - HULL – AMPHIBIAN, FIGURE 3

| <u>REF NO.</u> | <u>NO.</u> | <u>REQ.</u> | <u>PART DESCRIPTION</u> | <u>PART NO.</u> |
|----------------|------------|-------------|-------------------------|-----------------|
| 17 | 2 | | CLEAT – TIE DOWN | 30A01213-007 |
| | 4 | | BOLT | AN4-7A |
| | 4 | | WASHER | NAS1149D0463J |
| | 4 | | NUT | MS21083N4 |

WIPLINE MODEL 3000 FLOAT PARTS MANUAL



TOP SKIN - HULL - SEAPLANE
FIGURE 4

WIPLINE MODEL 3000 FLOAT PARTS MANUAL

TOP SKIN - HULL - SEAPLANE, FIGURE 4

| <u>REF NO.</u> | <u>NO. REQ.</u> | <u>PART DESCRIPTION</u> | <u>PART NO.</u> |
|----------------|-----------------|--|-----------------|
| 1 | 1 | SKIN – FWD SECTION L. | 30A01148-001 |
| | 1 | SKIN – FWD SECTION R. | 30A01148-002 |
| 2 | 1 | SKIN – AFT SECTION L. | 30A01148-003 |
| | 1 | SKIN – AFT SECTION R. | 30A01148-004 |
| 3 | 1 | SUPPORT – INSP. COVER – SMALL | 21A01002-131 |
| | A/R | NUT – TINNERMAN | 9A3-671 |
| | A/R | TAPE – INSULATOR | COMM. |
| 4 | 6 | INSP. COVER – LARGE - W/ ANGLE & GASKETS | 21A01000-258 |
| | A/R | SCREW – ATTACH | #8 X 5/8 |
| | 6 | SEAL – GASKET ONLY | 1001437 |
| 5 | 2 | INSP. COVER – SMALL & GASKETS | 21A01000-284 |
| | A/R | SCREW – ATTACH | #8 X 5/8 |
| | 2 | SEAL – GASKET ONLY | 1001728 |
| 6 | 1 | ASS'Y. ACCESS COVER | 21S01000-399 |
| | 1 | COVER, ACCESS | 21S01008-171 |
| | 1 | RETRACT COVER (GASKET ONLY) | 1002110 |
| 7 | 1 | JAMB – BAGGAGE DOOR | 30A01162-042 |
| | 1 | JAMB - BAGGAGE DOOR HINGE SIDE | 1001573 |
| 8 | 1 | ASS'Y. BAGGAGE DOOR | 30A01000-324 |
| | 1 | COVER - SKIN | 30A01162-041 |
| | 1 | PIN, HINGE | 1002186 |
| | 1 | STIFFENER – DOOR | 30A01004-145 |
| | 2 | STIFFENER - DOOR | 30A01004-144 |
| | 2 | STIFFENER ENDS | 4A01004-049 |
| | 2 | RETAINER - LOCK | 3A01206-001 |
| | 2 | LOCK PIN | 3A01273-004 |
| | 2 | CATCH – LATCH | 3A01702-001 |
| | 2 | LOCK SPRING | 3A01525-003 |
| | 2 | RING – OPENING | 1001838 |

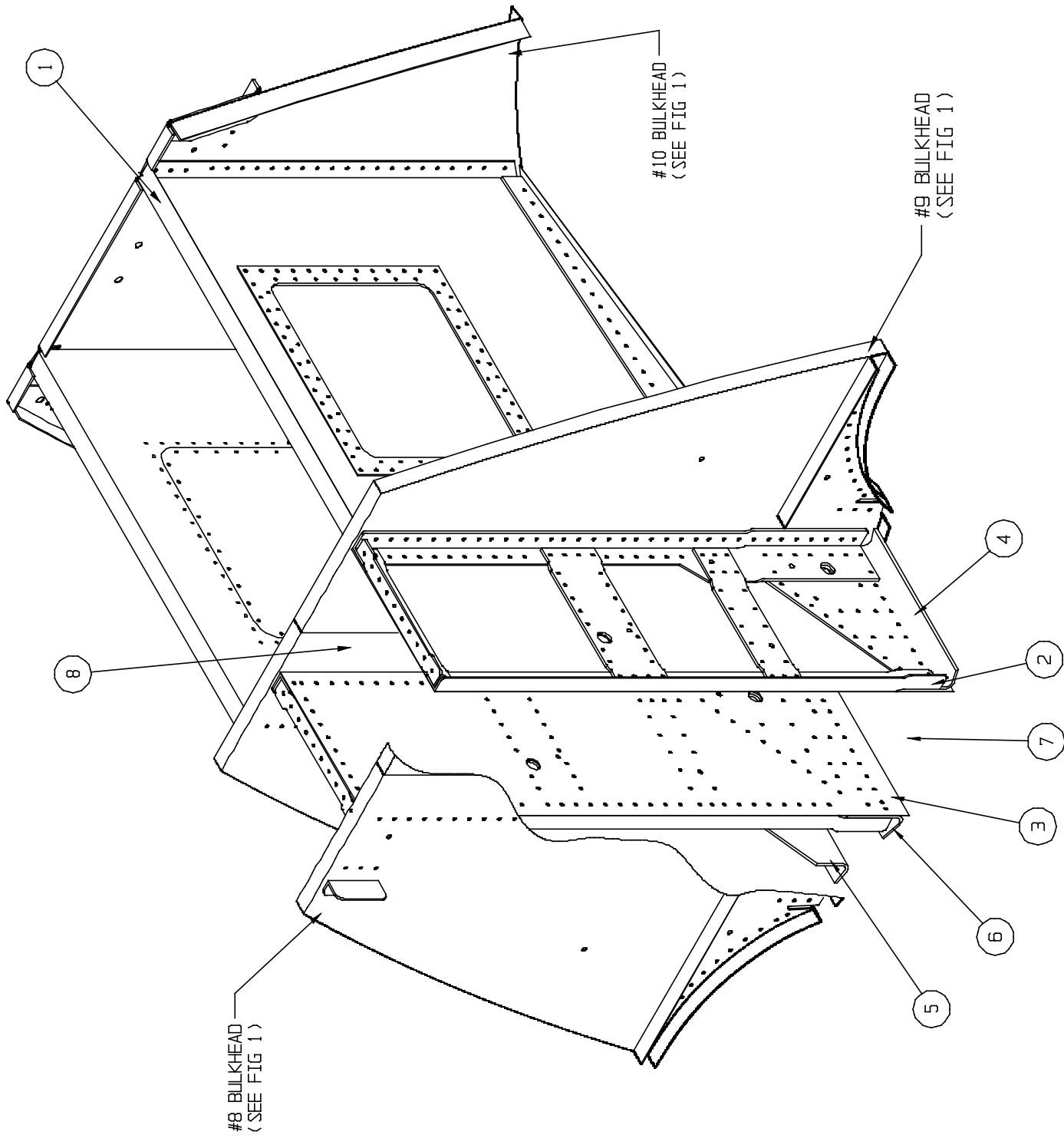
WIPLINE MODEL 3000 FLOAT PARTS MANUAL

TOP SKIN - HULL - SEAPLANE, FIGURE 4

| <u>REF NO.</u> | <u>NO. REQ.</u> | <u>PART DESCRIPTION</u> | <u>PART NO.</u> |
|----------------|-----------------|-----------------------------------|-----------------|
| | 1 | SEAL – GASKET (NOT SHOWN) | 1001499 |
| | 2 | RING, BAGGAGE LOCK | 1002663 |
| | 1 | HINGE, BAGGAGE COVER 3/4” | 30A01740-007 |
| | 1 | HINGE, BAGGAGE COVER 1 ½ “ | 30A01741-006 |
| | 2 | BOLT, BAGGAGE BAY COVER(MODIFIED) | 3A01702-004 |
| 9 | 1 | TOP RAIL – FWD L. | 30A01326-025 |
| | 1 | TOP RAIL – FWD R. | 30A01326-024 |
| 10 | 1 | TOP RAIL – AFT L. | 30A01326-029 |
| | 1 | TOP RAIL – AFT R. | 30A01326-028 |
| 11 | 1 | STIFFENER | 30A01340-175 |
| 12 | 1 | STIFFENER | 30A01340-176 |
| 13 | 1 | STIFFENER | 30A01340-177 |
| 14 | 2 | STIFFENER | 30A01326-032 |
| 15 | A/R | STIFFNER | 30A01326-022 |
| 16 | 1 | STIFFENER – BAGGAGE DOOR | 30A01326-030 |
| 17 | 1 | ASS’Y. COVER, ACCESS | 30S01000-409 |
| | 1 | COVER, ACCESS | 30S01005-392 |
| | 1 | SCREW – ATTACH | #8 X 5/8 |
| | 1 | COVER, ACCESS (GASKET ONLY) | 1002109 |
| 18 | 2 | CLEAT – TIE DOWN | 30A01213-007 |
| | 4 | WASHER | NAS1149D0463J |
| | 4 | NUT | MS21083N4 |

THIS PAGE INTENTIONALLY LEFT BLANK

WIPLINE MODEL 3000 FLOAT PARTS MANUAL



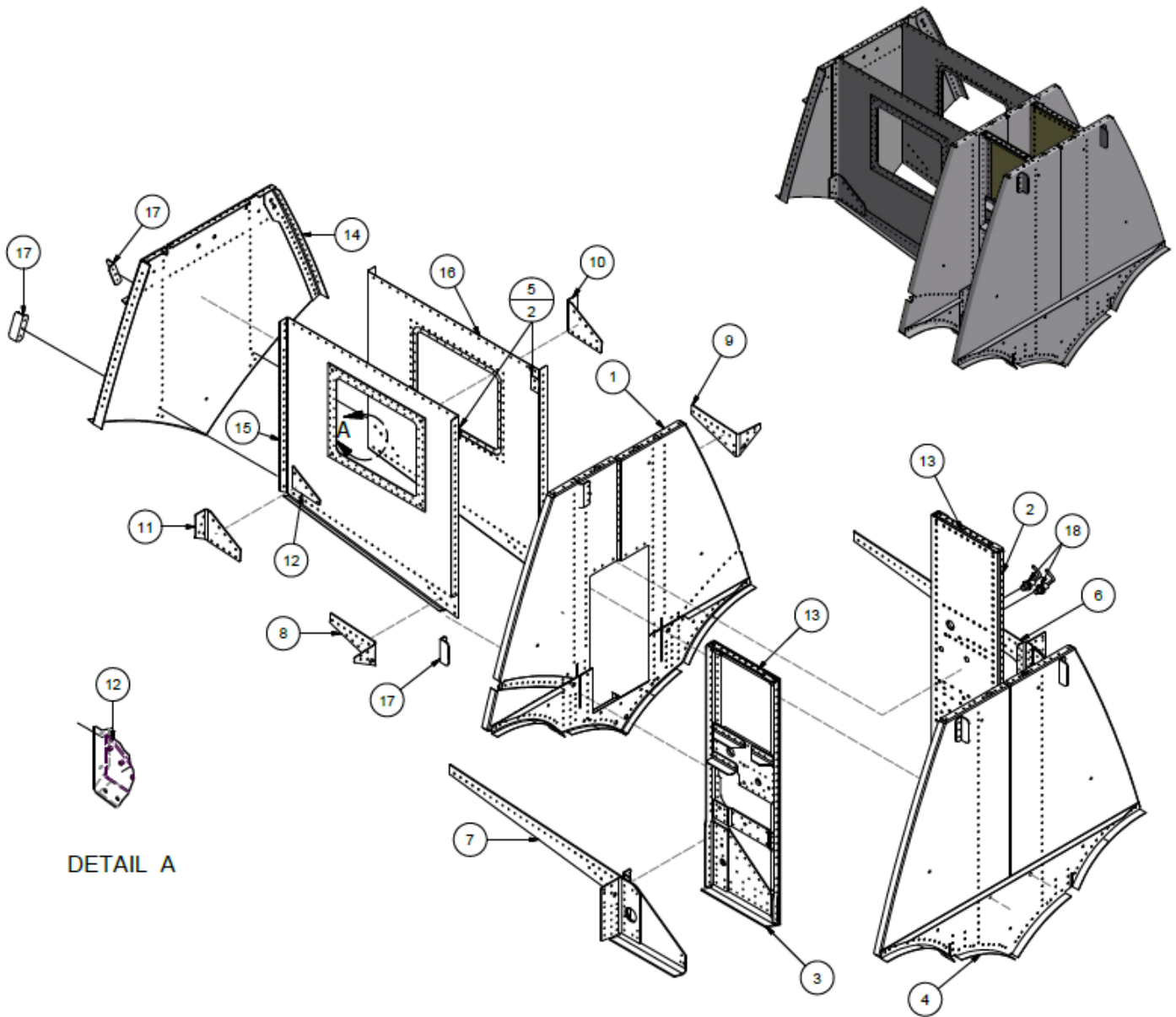
WHEEL WELL – ASSEMBLY – AMPHIBIAN
FIGURE 5

WIPLINE MODEL 3000 FLOAT PARTS MANUAL

WHEEL WELL – ASSEMBLY--AMPHIBIAN, FIGURE 5

| <u>REF NO.</u> | <u>NO.</u> | <u>REQ.</u> | <u>PART DESCRIPTION</u> | <u>PART NO.</u> |
|----------------|------------|-------------|-------------------------------------|-----------------|
| 1 | 1 | | ASS'Y. WHEELWELL HALF L. | 30A01000-349 |
| | 1 | | PANEL – FORMED L. | 30A01158-235 |
| | 1 | | RING – COVER REINFORCEMENT | 13A01156-124 |
| | 1 | | COVER | 21A01004-101 |
| | 28 | | SCREW | AN526-632R6 |
| | 1 | | ASS'Y. WHEELWELL HALF R. | 30A01000-348 |
| | 1 | | PANEL – FORMED R. | 30A01158-234 |
| | 1 | | RING – COVER REINFORCEMENT | 13A01156-124 |
| | 1 | | COVER | 21A01004-101 |
| | 28 | | SCREW | AN526-632R6 |
| 2 | 1 | | ASS'Y. WHEELWELL PANEL – OUTBR'D L. | 30A01000-345 |
| | 1 | | ASS'Y. WHEELWELL PANEL – OUTBR'D R. | 30A01000-350 |
| 3 | 1 | | ASS'Y. WHEELWELL PANEL – INBR'D L. | 30A01000-347 |
| | 1 | | ASS'Y. WHEELWELL PANEL – INBR'D R. | 30A01000-346 |
| 4 | 1 | | CARRY-THRU STRAP OUTBR'D L. | 30A01156-139 |
| | 1 | | CARRY-THRU STRAP OUTBR'D R. | 30A01156-142 |
| 5 | 1 | | CARRY-THRU STRAP INBR'D L. | 30A01156-141 |
| | 1 | | CARRY-THRU STRAP INBR'D R. | 30A01156-140 |
| 6 | 1 | | CARRY-THRU STRAP INBR'D L. | 30A01156-143 |
| | 1 | | CARRY-THRU STRAP INBR'D R. | 30A01156-138 |
| | 1 | | ANGLE – ATTACH AFT L. | 30A01156-145 |
| | 1 | | ANGLE – ATTACH AFT R. | 30A01156-150 |
| | 1 | | SHIM | 30A01160-004 |
| | 2 | | ANGLE – ATTACH FWD | 21A01326-015 |
| 7 | 1 | | SAND GUARD (NOT SHOWN) L. | 30A01150-139 |
| | 1 | | SAND GUARD (NOT SHOWN) R. | 30A01150-140 |
| | 8 | | SCREW | AN526-1032R8 |
| 8 | 1 | | MUD FLAP (NOT SHOWN) | 30A01569-002 |
| | 1 | | REINFORCEMENT | 30A01150-141 |

WIPLINE MODEL 3000 FLOAT PARTS MANUAL



DETAIL A

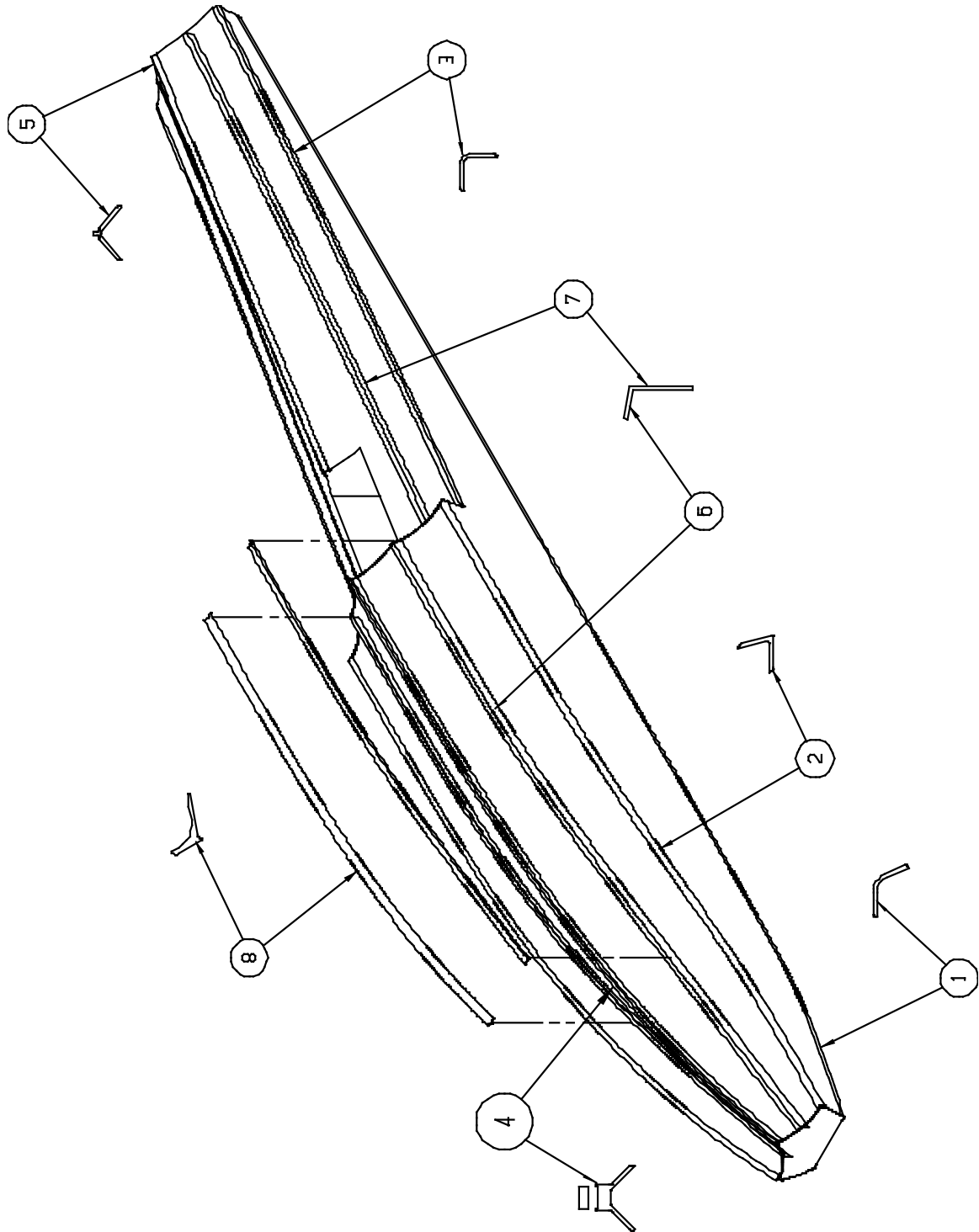
ASSEMBLY, WHEEL WELL (ALUM. GEAR)
FIGURE 5A

WIPLINE MODEL 3000 FLOAT PARTS MANUAL

ASSEMBLY WHEEL WELL (ALUM. GEAR), FIGURE 5A

| <u>REF NO.</u> | <u>NO.</u> | <u>REQ.</u> | <u>PART DESCRIPTION</u> | <u>PART NO.</u> |
|----------------|------------|-------------|---------------------------------------|-----------------|
| 1 | 1 | | ASS'Y BULKHEAD #9 | 1004888 |
| 2 | 1 | | ASSEMBLY, PANEL, MAIN GEAR | 1004893 |
| 3 | 1 | | ASSEMBLY, PANEL, MAIN GEAR | 1004894 |
| 4 | 1 | | ASSEMBLY, BULKHEAD | 1004914 |
| 5 | 2 | | SPACER, ATTACH, ANGLE, TOP RAIL | 1005520 |
| 6 | 1 | | ASSEMBLY, CARRY THRU STRAP, RIGHT | 1005523 |
| 7 | 1 | | ASSEMBLY, CARRY THRU STRAP, LEFT | 1005524 |
| 8 | 1 | | GUSSET, WHEELWELL | 1005531 |
| 9 | 1 | | GUSSET, WHEEL WELL | 1005532 |
| 10 | 1 | | GUSSET, WHEELWELL, REAR | 1005542 |
| 11 | 1 | | GUSSET, WHEELWELL, REAR | 1005543 |
| 12 | 2 | | SPACER, GUSSET, CARRY-THRU | 1005550 |
| 13 | 2 | | SPACER, ANGLE, PANEL, MAIN GEAR | 1005557 |
| 14 | 1 | | ASS'Y BULKHEAD #10 | 30A01000-339 |
| 15 | 1 | | ASSEMBLY, PANEL, SIDE, WHEEL WELL, RH | 30A01000-348 |
| 16 | 1 | | ASSEMBLY, PANEL, SIDE, WHEEL WELL, LH | 30A01000-349 |
| 17 | 4 | | ANGLE - SUPPORT | 6A01359-004 |
| 18 | 2 | | SWITCH, PROXIMITY | 1005724 |

WIPLINE MODEL 3000 FLOAT PARTS MANUAL



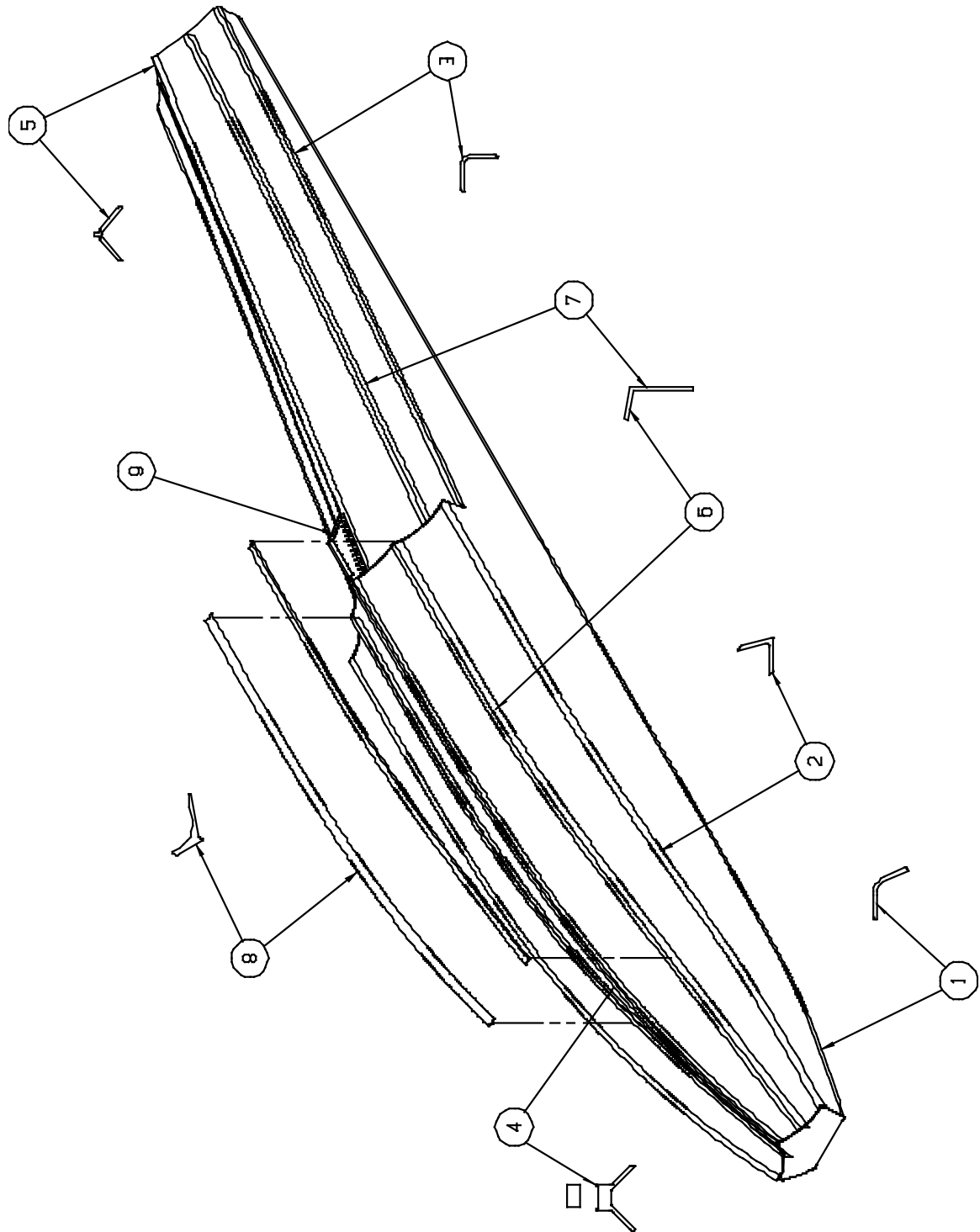
EXTRUSIONS – HULL – AMPHIBIAN
FIGURE 6

WIPLINE MODEL 3000 FLOAT PARTS MANUAL

EXTRUSIONS – HULL – AMPHIBIAN, FIGURE 6

| <u>REF NO.</u> | <u>NO.</u> | <u>REQ.</u> | <u>PART DESCRIPTION</u> | <u>PART NO.</u> |
|----------------|------------|-------------|-------------------------|-----------------|
| 1 | 1 | | GUNWALL – L. | 30A01324-005 |
| | 1 | | GUNWALL – R. | 30A01324-006 |
| 2 | 1 | | CHINE - FWD L. | 30A01394-001 |
| | 1 | | CHINE – FWD R. | 30A01394-002 |
| 3 | 1 | | CHINE – AFTERBODY L. | 30A01395-001 |
| | 1 | | CHINE – AFTERBODY R. | 30A01395-002 |
| 4 | 1 | | KEEL - MAIN | 30A01377-001 |
| | 1 | | STRIP, WEAR | 3A01200-001 |
| 5 | 1 | | KEEL - AFTERBODY | 30A01425-001 |
| 6 | 1 | | SISTER KEEL – FWD L. | 30A01361-037 |
| | 1 | | SISTER KEEL – FWD R. | 30A01361-038 |
| 7 | 1 | | SISTER KEEL – AFT L. | 30A01361-039 |
| | 1 | | SISTER KEEL – AFT R. | 30A01361-040 |
| 8 | 1 | | SISTER KEEL – OUTER L. | 30A01342-009 |
| | 1 | | SISTER KEEL – OUTER R. | 30A01342-010 |

WIPLINE MODEL 3000 FLOAT PARTS MANUAL



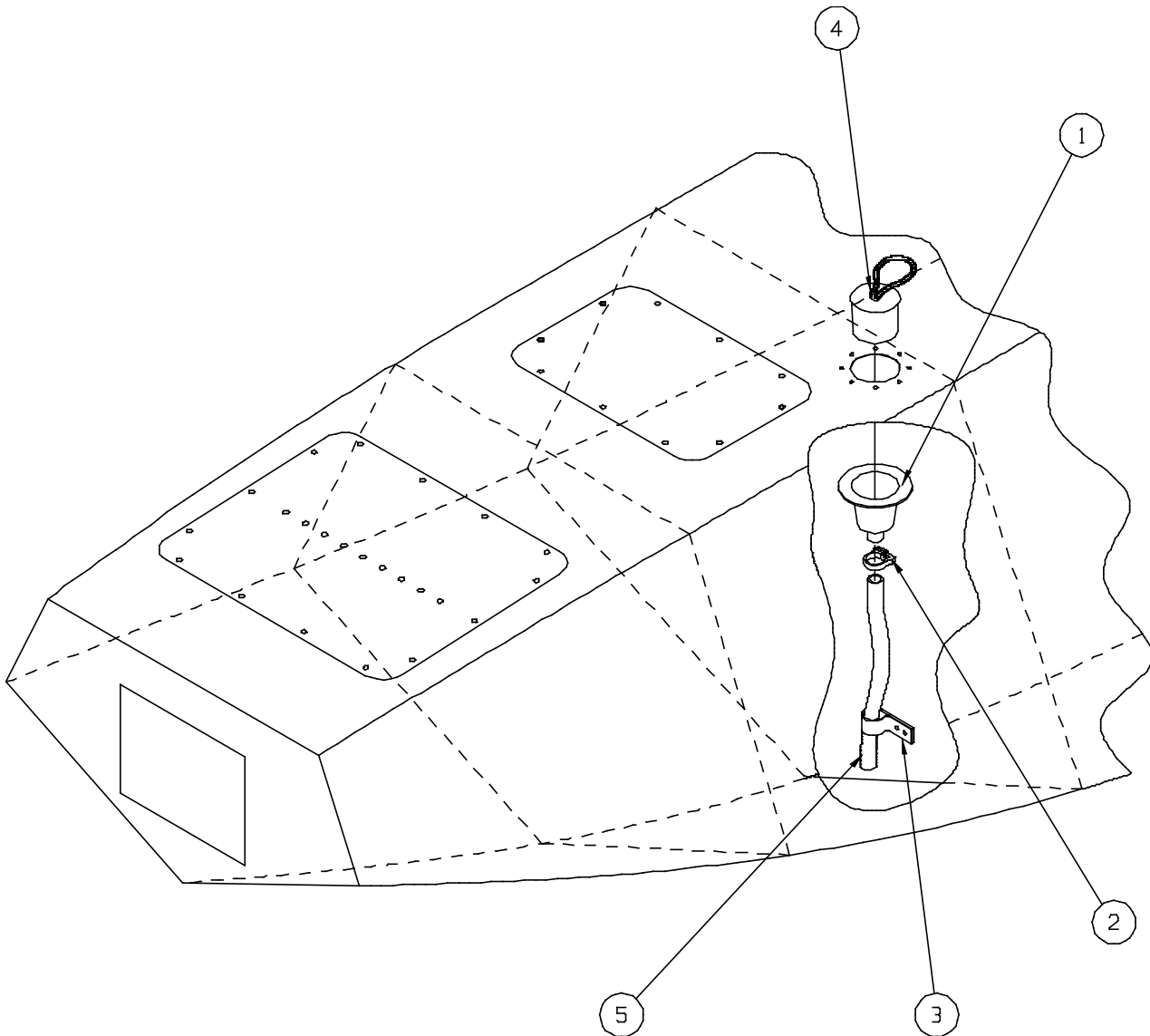
EXTRUSIONS – HULL – SEAPLANE
FIGURE 7

WIPLINE MODEL 3000 FLOAT PARTS MANUAL

EXTRUSIONS – HULL – SEAPLANE, FIGURE 7

| <u>REF NO.</u> | <u>NO.</u> | <u>REQ.</u> | <u>PART DESCRIPTION</u> | <u>PART NO.</u> |
|----------------|------------|-------------|------------------------------|-----------------|
| 1 | 1 | | GUNWALL – L. | 30A01324-005 |
| | 1 | | GUNWALL – R. | 30A01324-006 |
| 2 | 1 | | CHINE - FWD L. | 30A01394-001 |
| | 1 | | CHINE – FWD R. | 30A01394-002 |
| 3 | 1 | | CHINE – AFTERBODY L. | 30A01395-001 |
| | 1 | | CHINE – AFTERBODY R. | 30A01395-002 |
| 4 | 1 | | KEEL - MAIN | 1001120 |
| | 1 | | STRIP, WEAR | 3A01200-001 |
| 5 | 1 | | KEEL - AFTERBODY | 30S01425-003 |
| 6 | 1 | | SISTER KEEL – FWD L. | 30A01361-037 |
| | 1 | | SISTER KEEL – FWD R. | 30A01361-038 |
| 7 | 1 | | SISTER KEEL – AFT L. | 30S01361-043 |
| | 1 | | SISTER KEEL – AFT R. | 30S01361-044 |
| 8 | 1 | | SISTER KEEL – OUTER L. | 30A01342-009 |
| | 1 | | SISTER KEEL – OUTER R. | 30A01342-010 |
| 9 | 1 | | ANGLE SUPPORT – AFTERBODY L. | 30S01163-085 |
| | 1 | | ANGLE SUPPORT – AFTERBODY R. | 30S01163-086 |

WIPLINE MODEL 3000 FLOAT PARTS MANUAL



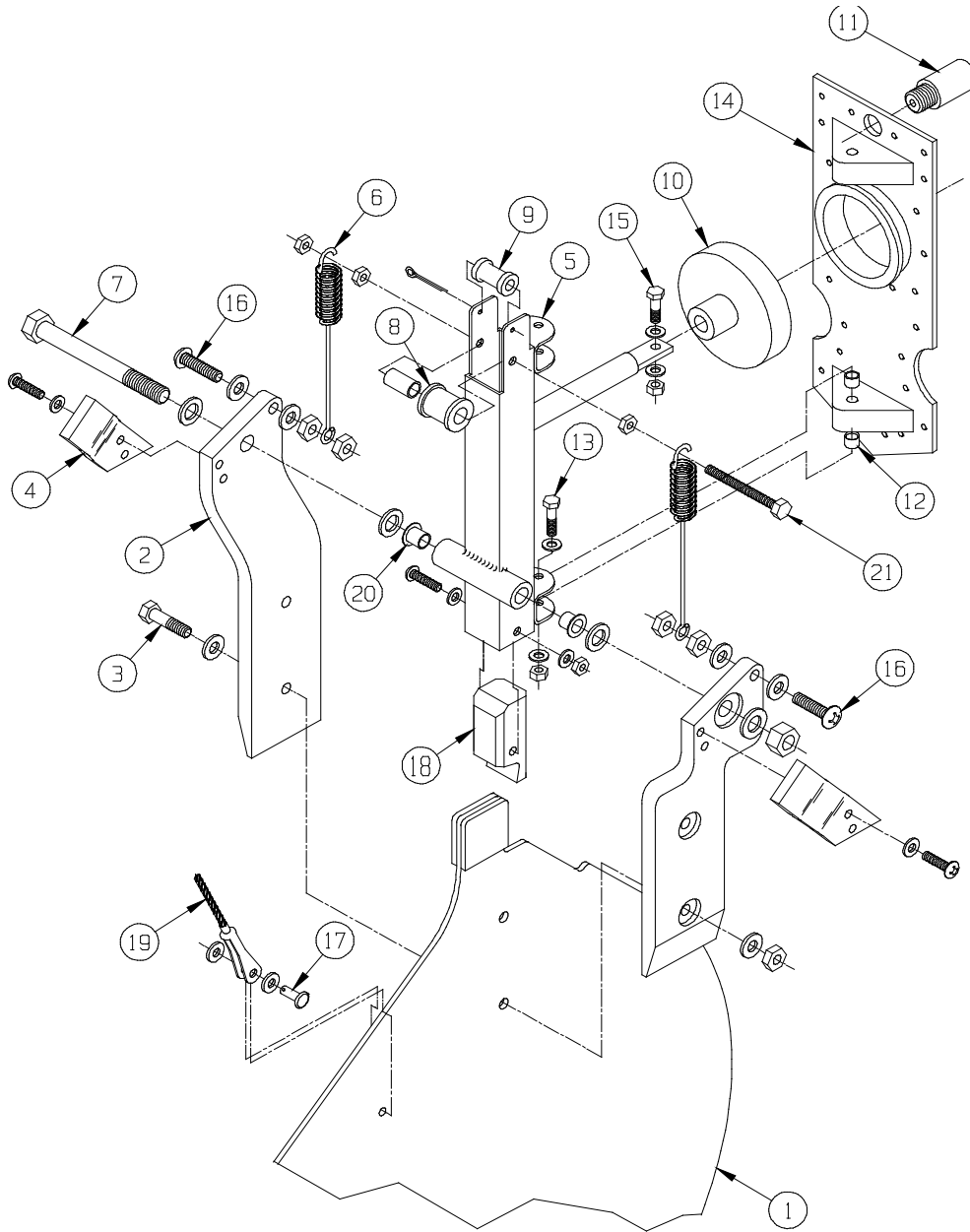
PUMPER TUBE INSTALLATION
FIGURE 8

WIPLINE MODEL 3000 FLOAT PARTS MANUAL

PUMPOUT TUBE INSTALLATION, FIGURE 8

| <u>REF NO.</u> | <u>NO.</u> | <u>REQ.</u> | <u>PART DESCRIPTION</u> | <u>PART NO.</u> |
|----------------|------------|-------------|-------------------------|-----------------|
| 1 | 11 | | CUP – PUMPOUT ALUM. | 4A01749-001 |
| | A/R | | RIVETS | MS20470AD4-4 |
| 2 | 11 | | CLAMP – UPPER END | 57134 |
| 3 | 1 | | CLAMP – LOWER END | 3A01158-003 |
| 4 | 11 | | STOPPER – PUMPER TUBE | 2111 |
| 5 | 1 | | PUMPOUT TUBE 18.5 IN. | 30A01618-064 |
| | 1 | | PUMPOUT TUBE 24.5 | 30A01618-065 |
| | 1 | | PUMPOUT TUBE 26.5 | 30A01618-066 |
| | 1 | | PUMPOUT TUBE 29.0 | 30A01618-067 |
| | 1 | | PUMPOUT TUBE 23.0 | 30A01618-068 |
| | 1 | | PUMPOUT TUBE 26.5 | 30A01618-069 |
| | 1 | | PUMPOUT TUBE 22.0 | 30A01618-070 |
| | 1 | | PUMPOUT TUBE 18.0 | 30A01618-071 |
| | 1 | | PUMPOUT TUBE 15.5 | 30A01618-072 |
| | 1 | | PUMPOUT TUBE 12.5 | 30A01618-073 |
| | 1 | | PUMPOUT TUBE 25.0 | 30A01618-074 |

WIPLINE MODEL 3000 FLOAT PARTS MANUAL



INSTALLATION WATER RUDDER
FIGURE 9

WIPLINE MODEL 3000 FLOAT PARTS MANUAL

INSTALLATION WATER RUDDER, FIGURE 9

| <u>REF NO.</u> | <u>NO. REQ.</u> | <u>PART DESCRIPTION</u> | <u>PART NO.</u> |
|----------------|-----------------|------------------------------------|-----------------|
| 1 | 1 | ASS'Y. BLADE | 4A08000-094 |
| | 1 | BLADE | 4A08000-062 |
| 2 | 1 | ARM – BLADE – L.H. | 4A08197-009 |
| | 1 | ARM – BLADE – R.H. | 4A08197-008 |
| 3 | 2 | BOLT – ARM ATTACH | AN4-10A |
| | A/R | WASHER | NAS1149D0463J |
| | 2 | NUT | NAS679A4W |
| 4 | 1 | RUDDER STOP - UP - L.H. (IF REQ'D) | 34A08205-007 |
| | 1 | RUDDER STOP - UP - R.H. (IF REQ'D) | 34A08205-008 |
| | 4 | SCREW | AN526-1032R10 |
| | 1 | WASHER - LOCK | MS35333-39 |
| 5 | 1 | ASS'Y – WATER RUDDER PIVOT | 3A08000-096 |
| 6 | 2 | SPRING - RETRACT | 3A08525-001 |
| 7 | 1 | BOLT – WATER RUDDER HINGE | AN6C34A |
| | A/R | WASHER | NAS1149D0663J |
| | 1 | NUT | MS21083N6 |
| 8 | 1 | ROLLER – RETRACT CABLE - LOWER | 3A08606-001 |
| | 1 | BUSHING - ROLLER | 3A08502-001 |
| | 1 | BOLT – ROLLER (HEX HD. S.S. | 10/32 X 2" |
| | 3 | NUT | H10-3 |
| 9 | 1 | ROLLER – RETRACT CABLE - UPPER | 6A08601-002 |
| | 1 | COTTER PIN | MS24665-306 |
| 10 | 1 | BOOT – WATER RUDDER | 3A08650-001 |
| 11 | 1 | GUIDE – WATER RUDDER CABLE | 3A08605-001 |
| 12 | 4 | BEARING | 03DU-04 |

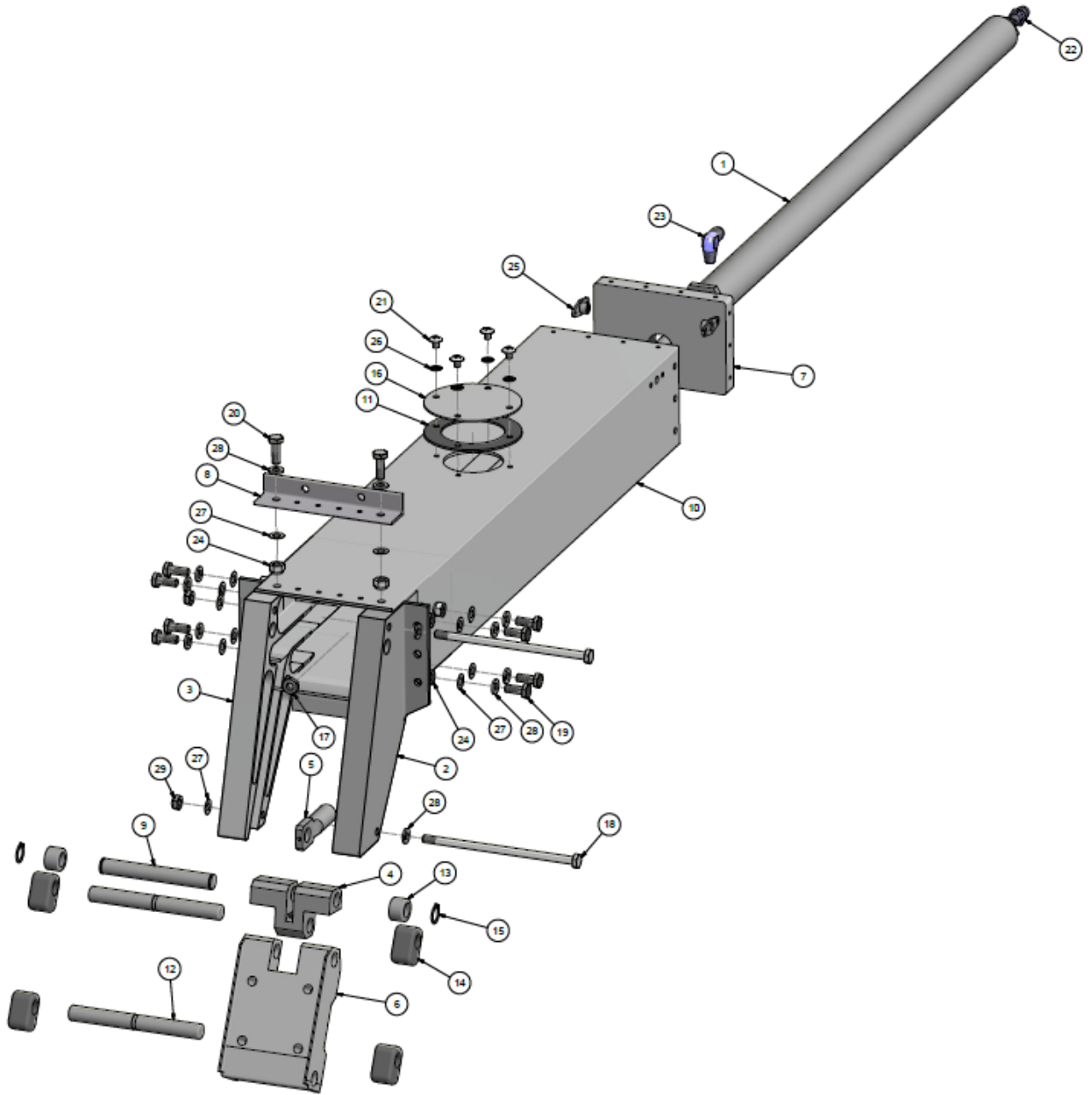
WIPLINE MODEL 3000 FLOAT PARTS MANUAL

INSTALLATION WATER RUDDER, FIGURE 9

| <u>REF NO.</u> | <u>NO. REQ.</u> | <u>PART DESCRIPTION</u> | <u>PART NO.</u> |
|----------------|-----------------|--------------------------------|-----------------|
| 13 | 2 | BOLT – RUDDER POST HINGE | AN3C10A |
| | A/R | WASHER | NAS1149D0363J |
| | 2 | NUT | H10-3 |
| 14 | 1 | CASTING – PIVOT – WATER RUDDER | 3A01437-001 |
| 15 | 1 | BOLT – RUDDER TO ARM ATTACH | AN3-6A |
| | A/R | WASHER | NAS1149D0363J |
| | 1 | NUT | MS21044N3 |
| 16 | 2 | SCREW – SPRING ATTACH | AN526-428R16 |
| | A/R | WASHER | NAS1149D0363J |
| | 4 | NUT | H10-3 |
| 17 | 1 | PIN - CLEVIS | MS20392-2C11 |
| | A/R | WASHER | NAS1149D0316J |
| | 1 | COTTER PIN | MS24665-151 |
| 18 | 1 | RUDDER STOP – DOWN (185 ONLY) | 6A08183-005 |
| | 1 | SCREW – RUDDER STOP | AN526-1032R16 |
| | 2 | WASHER | NAS1149D0363J |
| | 1 | NUT | H10-3 |
| 19 | 1 | ASS'Y. CABLE – RETRACT | 4A08000-072 |
| 20 | 2 | BEARING – NYLINER (NOTE 4) | 6L11F |
| 21 | 1 | BOLT | 1032 X 2" SS |

THIS PAGE INTENTIONALLY LEFT BLANK

WIPLINE MODEL 3000 FLOAT PARTS MANUAL



ASSEMBLY – NOSE GEAR RETRACTION
FIGURE 10

WIPLINE MODEL 3000 FLOAT PARTS MANUAL
ASSEMBLY – NOSE GEAR RETRACTION, FIGURE 10

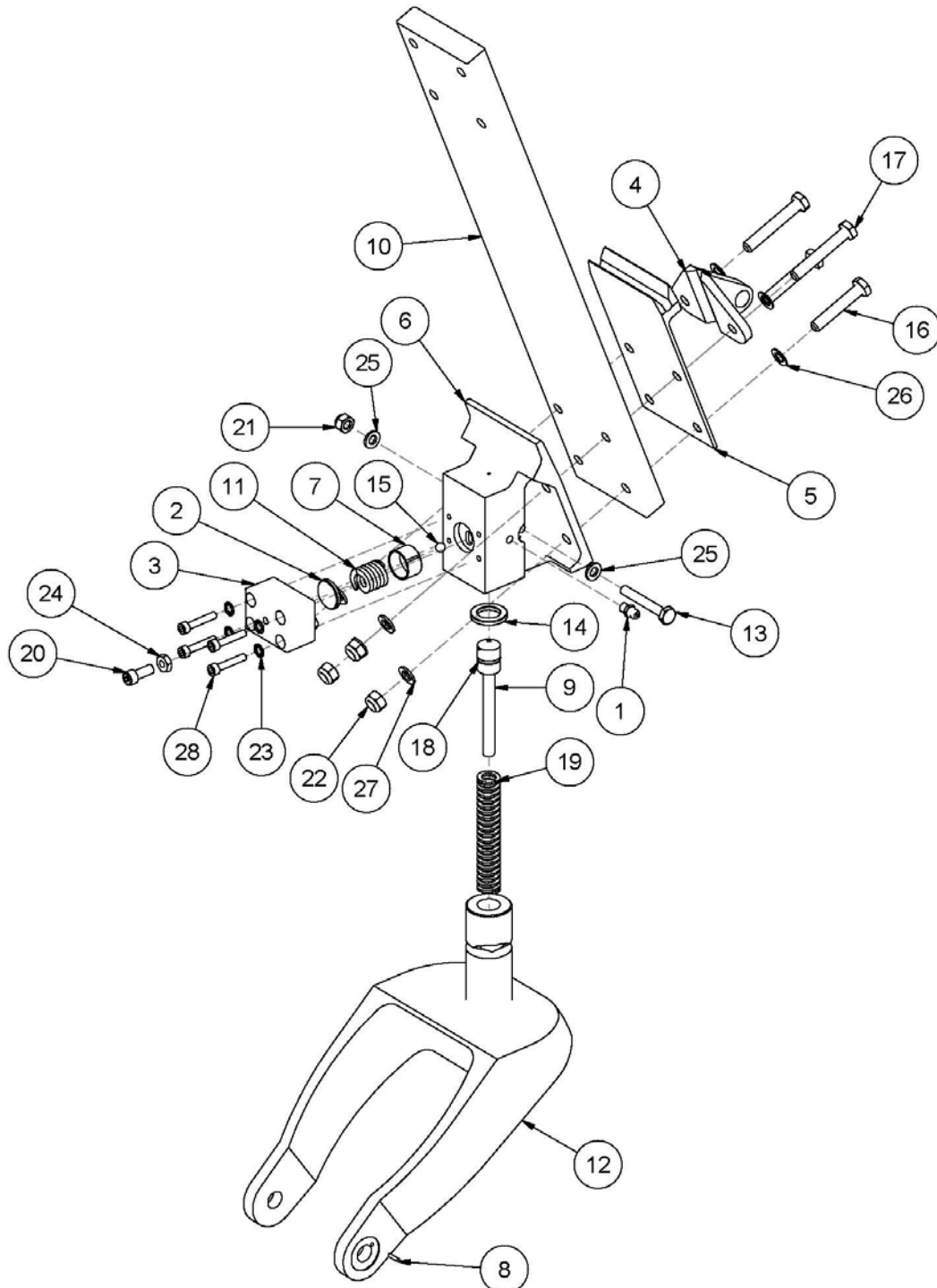
| <u>REF NO.</u> | <u>NO. REQ.</u> | <u>PART DESCRIPTION</u> | <u>PART NO.</u> |
|----------------|-----------------|--|-----------------|
| 1 | 1 | CYLINDER, NOSE GEAR, 3000/3450 | 1002572 |
| 2 | 1 | END, NOSE GEAR TRACK LEFT | 1005837 |
| 3 | 1 | END, NOSE GEAR TRACK, RIGHT | 1005838 |
| 4 | 1 | LINK - TROLLEY, NOSE GEAR | 21A07032-005 |
| 5 | 1 | END - ROD, CYLINDER, NOSE GEAR | 21A07094-002 |
| 6 | 1 | TROLLEY - NOSE GEAR | 21A07187-009 |
| 7 | 1 | END CAP, NOSE BOX | 21A07237-002 |
| 8 | 1 | EXTRUSION, ANGLE | 21A07359-194 |
| 9 | 1 | AXLE, TROLLEY LINK | 21A07509-007 |
| 10 | 1 | NOSE BOX, 3000 FLOAT | 1005857 |
| 11 | 1 | GASKET, COVER, NOSE BOX, 2100 AND 3000 | 30A07567-011 |
| 12 | 2 | AXLE, TROLLEY | 34A07509-008 |
| 13 | 2 | BEARING - TROLLEY, NOSE GEAR | 3A07530-001 |
| 14 | 4 | BLOCK, SLIDE, TROLLEY, NOSE GEAR | 3A07604-001 |
| 15 | 2 | SNAP RING | 5100-46-H |
| 16 | 1 | COVER, BULKHEAD HYD CYL. HOLE | 8A01008-080 |
| 17 | 1 | NUT | AN316-5R |
| 18 | 2 | BOLT | AN4-53A |
| 19 | 8 | BOLT | AN4-5A |
| 20 | 2 | BOLT | AN4-6A |

WIPLINE MODEL 3000 FLOAT PARTS MANUAL
ASSEMBLY – NOSE GEAR RETRACTION, FIGURE 10

| <u>REF NO.</u> | <u>NO. REQ.</u> | <u>PART DESCRIPTION</u> | <u>PART NO.</u> |
|----------------|-----------------|-------------------------------------|-----------------|
| 21 | 4 | SCREW, MACHINE, TRUSS HEAD | AN526-1032R4 |
| 22 | 1 | NIPPLE, FLARED TUBE AND PIPE THREAD | AN816-4D |
| 23 | 1 | ELBOW | MS20822-4D |
| 24 | 10 | NUT | MS21044N4 |
| 25 | 2 | NUT PLATE | MS21078-4 |
| 26 | 4 | STAR WASHER | MS35333-39 |
| 27 | 12 | WASHER | NAS1149D0416J |
| 28 | 12 | WASHER | NAS1149D0463J |
| 29 | 2 | KAYNAR NUT | NAS679-A4W |
| | 1 | NOSE SPRING (NOT SHOWN) | 30A06655-001 |

THIS PAGE INTENTIONALLY LEFT BLANK

WIPLINE MODEL 3000 FLOAT PARTS MANUAL

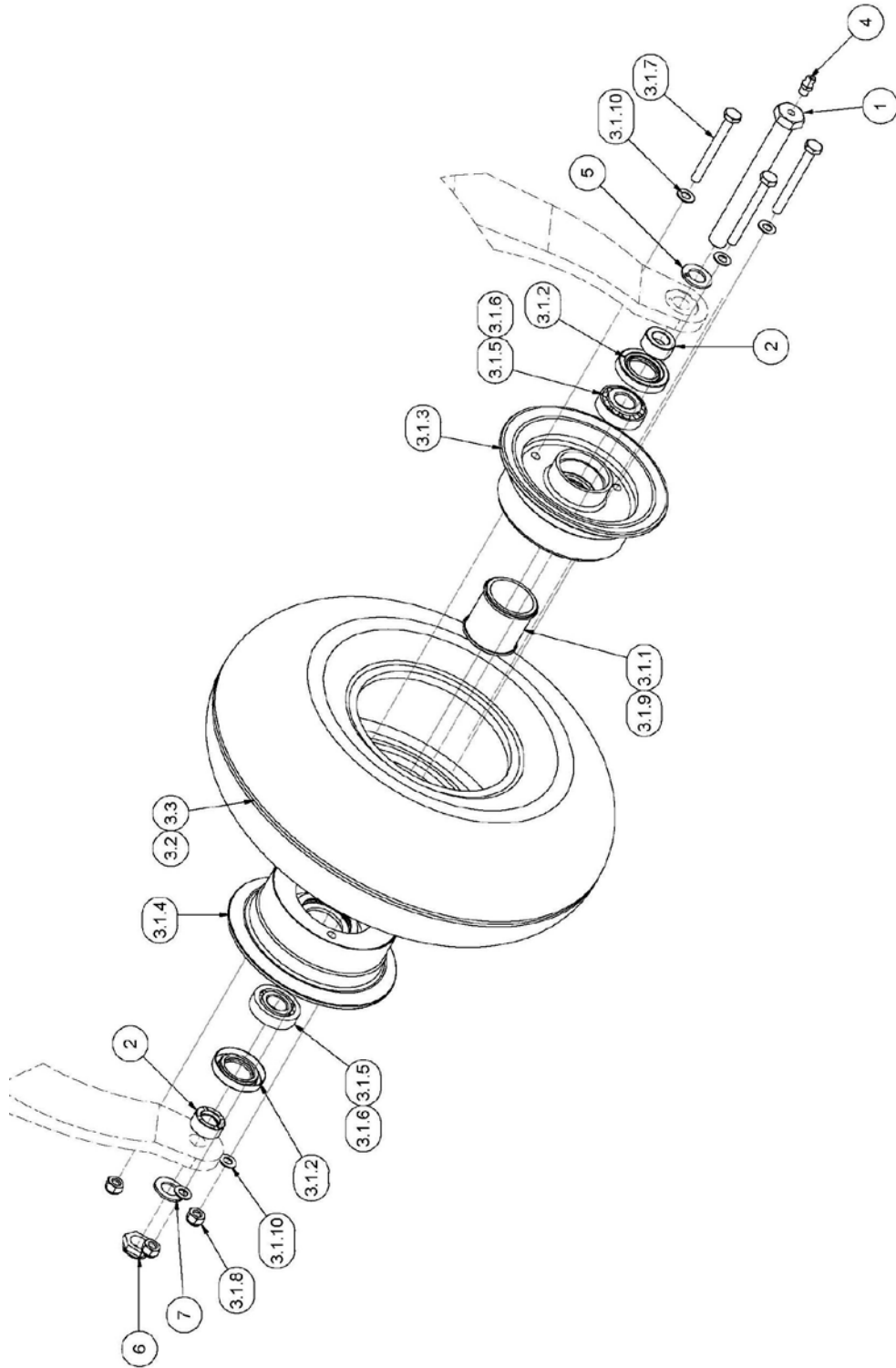


ASSEMBLY – NOSE GEAR – LOWER
FIGURE 11

WIPLINE MODEL 3000 FLOAT PARTS MANUAL
ASSEMBLY – NOSE GEAR - LOWER, FIGURE 11

| <u>REF NO.</u> | <u>NO. REQ.</u> | <u>PART DESCRIPTION</u> | <u>PART NO.</u> |
|----------------|-----------------|--------------------------------------|-----------------|
| 1 | 1 | COMMON GREASEZERK | 1095K41 |
| 2 | 1 | PRESSURE PLATE | 21A06160-053 |
| 3 | 1 | BLOCK - SPRING | 21A06194-005 |
| 4 | 1 | TOW HOOK NOSE GEAR | 21A06213-006 |
| 5 | 1 | BEARING PLATE, LOWER, NOSE GEAR | 21A06237-001 |
| 6 | 1 | BLOCK - PIVOT, NOSE GEAR | 21A06318-005 |
| 7 | 1 | FRICITION CUP | 21A06475-006 |
| 8 | 1 | PIN, ANTIROTATION | 21A06476-003 |
| 9 | 1 | PLUNGER- NOSE WHEEL, 21,23,3,34 | 21A06605-002 |
| 10 | 1 | SPRING NOSE GEAR | 21A06653-001 |
| 11 | 1 | PRESSURE SPRING | 21A06705-005 |
| 12 | 1 | ASSEMBLY,- PIVOT AND FORK, NOSE GEAR | 30A06000-024 |
| 13 | 1 | BOLT - MODIFIED, PIVOT BLOCK | 30A06702-016 |
| 14 | 1 | THRUST WASHER | 3A06602-001 |
| 15 | 1 | 1/4" CHROME BALL BEARING | 9528K15 |
| 16 | 2 | BOLT | AN5-15A |
| 17 | 2 | BOLT | AN5-17A |
| 18 | 1 | O-RING | AN6227-9 |
| 19 | 1 | SPRING | M62-350 |
| 20 | 1 | BOLT | MS16997-60 |
| 21 | 1 | NUT | MS21044N4 |
| 22 | 4 | NUT | MS21044N5 |
| 23 | 4 | STAR WASHER | MS35333-39 |
| 24 | 1 | NUT | MS35649-2252 |
| 25 | 2 | WASHER | NAS1149D0463J |
| 26 | 4 | WASHER | NAS1149F0532P |
| 27 | 4 | WASHER | NAS1149F0563P |
| 28 | 4 | BOLT | NAS1352-316P |

WIPLINE MODEL 3000 FLOAT PARTS MANUAL

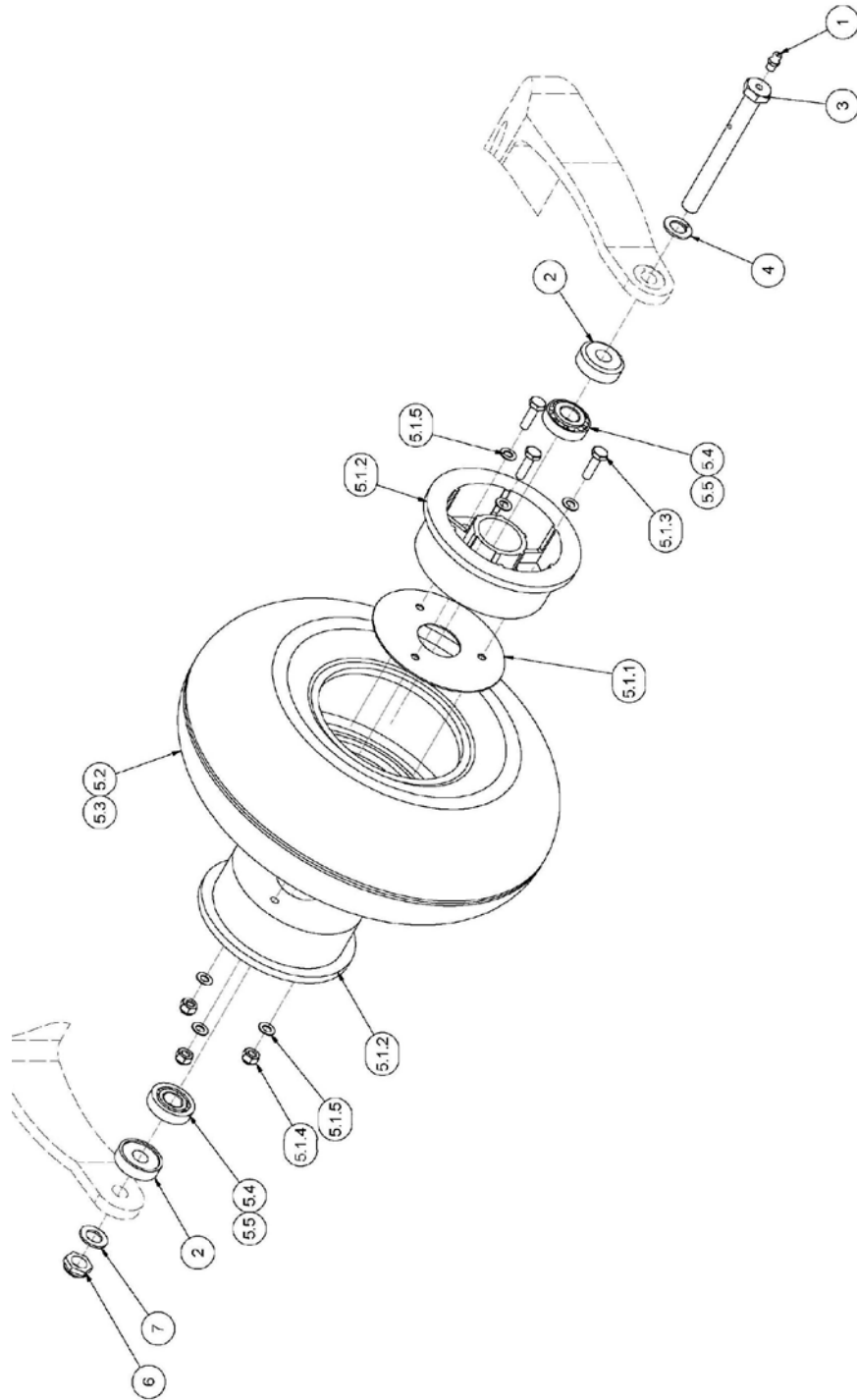


ASSEMBLY - NOSE WHEEL (GROVE)
FIGURE 12A

WIPLINE MODEL 3000 FLOAT PARTS MANUAL
ASSEMBLY – NOSE GEAR – (GROVE), FIGURE 12A

| <u>REF NO.</u> | <u>NO. REQ.</u> | <u>PART DESCRIPTION</u> | <u>PART NO.</u> |
|----------------|-----------------|---------------------------------|-----------------|
| 1 | 1 | BOLT, MODIFIED, AXLE, NOSE GEAR | 1005927 |
| 2 | 2 | SPACER | 1005928 |
| 3 | 1 | ASSEMBLY, NOSE WHEEL | 1006679 |
| 3.1 | 1 | WHEEL ASSEMBLY, GROVE | 49-12AF-001 |
| 3.1.1 | 1 | GREASE RETAINER | 010-019 |
| 3.1.2 | 2 | SEAL | 010-026 |
| 3.1.3 | 1 | WHEEL HALF INNER | 015-020A |
| 3.1.4 | 1 | WHEEL HALF OUTER | 016-020AF |
| 3.1.5 | 2 | BEARING CORE | A4050 |
| 3.1.6 | 2 | BEARING CONE | A4138 |
| 3.1.7 | 3 | BOLT | AN4-23A |
| 3.1.8 | 3 | NUT | MS21044N-4 |
| 3.1.9 | 2 | O-RING | MS28775-029 |
| 3.1.10 | 6 | WASHER | NAS1149F0416 |
| 3.2 | 1 | TUBE | XA1AB |
| 3.3 | 1 | TIRE | AD1B2 |
| 4 | 1 | COMMON GREASEZERK | 1095K41 |
| 5 | 1 | MODIFIED WASHER | 3A06702-003 |
| 6 | 1 | NUT | MS21083N8 |
| 7 | 1 | WASHER | NAS1149D0863J |

WIPLINE MODEL 3000 FLOAT PARTS MANUAL

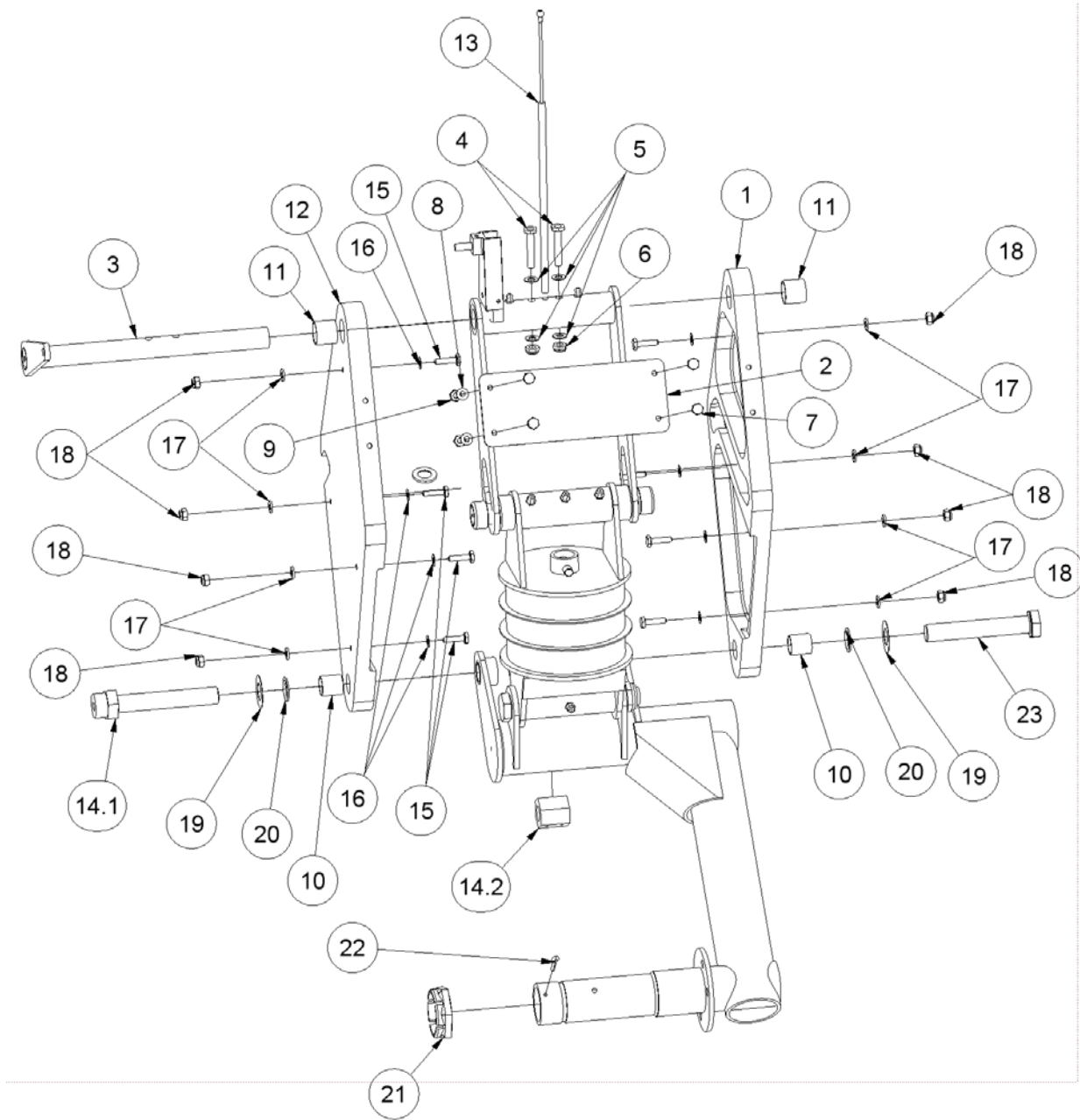


ASSEMBLY - NOSE WHEEL (PARKER)
FIGURE 12B

WIPLINE MODEL 3000 FLOAT PARTS MANUAL
 ASSEMBLY – NOSE GEAR – (PARKER), FIGURE 12B

| <u>REF NO.</u> | <u>NO. REQ.</u> | <u>PART DESCRIPTION</u> | <u>PART NO.</u> |
|----------------|-----------------|-----------------------------------|-----------------|
| 1 | 1 | COMMON GREASEZERK | 1095K41 |
| 2 | 2 | SPACER - NOSE WHEEL - SMALL FLOAT | 3A06259-001 |
| 3 | 1 | BOLT, MODIFIED, AXLE, NOSE GEAR | 3A06702-002 |
| 4 | 1 | MODIFIED WASHER | 3A06702-003 |
| 5 | 1 | NOSE WHEEL ASSEMBLY | 30A06000-025 |
| 5.1 | 1 | PARKER WHEEL ASSEMBLY | D-30380 |
| 5.1.1 | 1 | GASKET | 068-30373 |
| 5.1.2 | 2 | WHEEL HALF | 161-30382 |
| 5.1.3 | 3 | BOLT | AN4-7A |
| 5.1.4 | 3 | NUT | MS21044N4 |
| 5.1.5 | 6 | WASHER | NAS1149F0432P |
| 5.2 | 1 | TIRE | AD1B2 |
| 5.3 | 1 | TUBE | XA1AB |
| 5.4 | 2 | BEARING CORE | A4050 |
| 5.5 | 2 | BEARING CONE | A4138 |
| 6 | 1 | NUT | MS21083N8 |
| 7 | 1 | WASHER | NAS1149D0863J |

WIPLINE MODEL 3000 FLOAT PARTS MANUAL



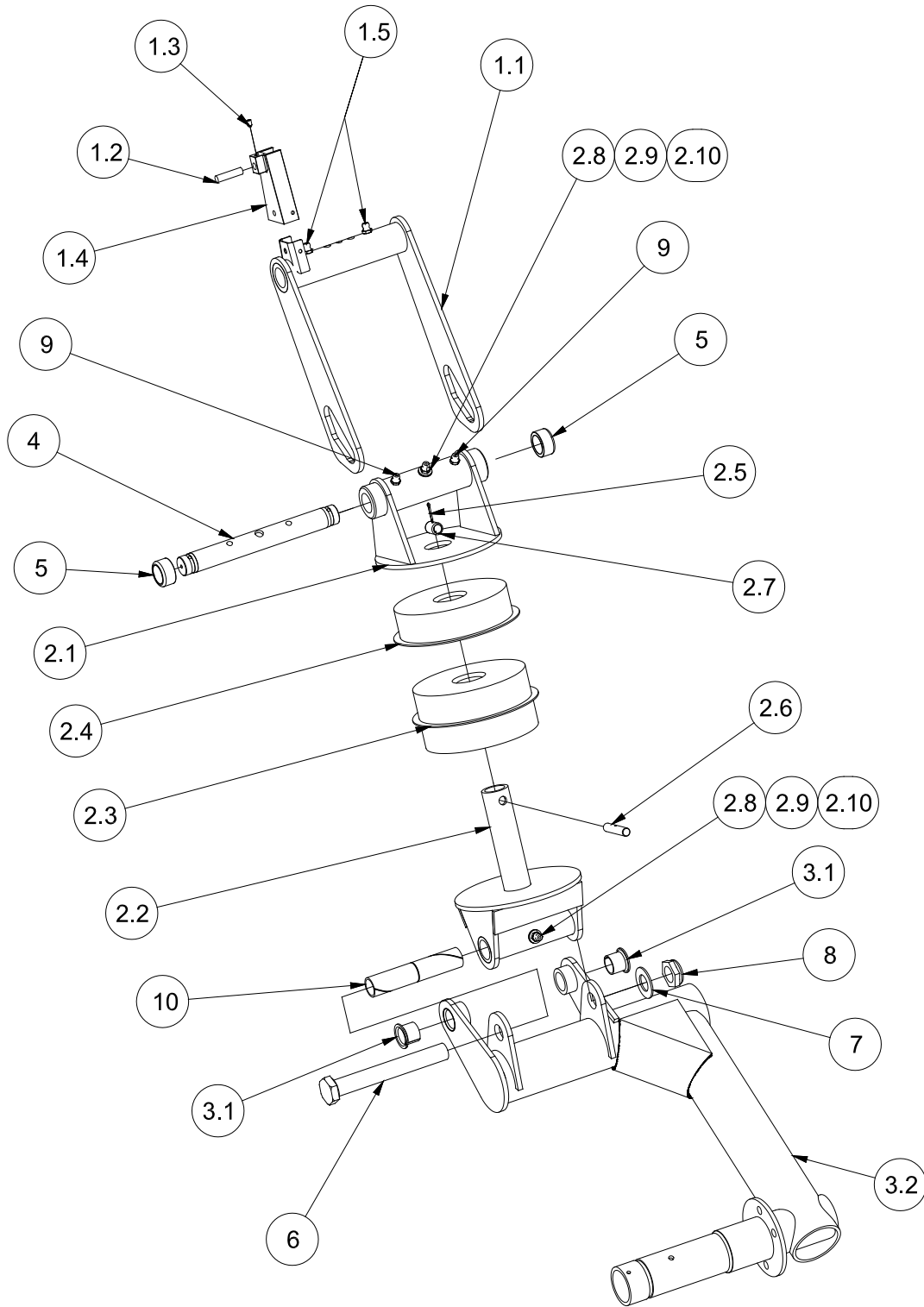
MAIN GEAR INSTALLATION
FIGURE 13

WIPLINE MODEL 3000 FLOAT PARTS MANUAL

MAIN GEAR INSTALLATION, FIGURE 13

| <u>REF NO.</u> | <u>NO. REQ.</u> | <u>PART DESCRIPTION</u> | <u>PART NO.</u> |
|----------------|-----------------|----------------------------------|-----------------|
| 1 | 1 | TRACK - MAIN GEAR - RIGHT | 30A05114-008 |
| 2 | 1 | SPACING PLATE | 30A05003-085 |
| 3 | 1 | ASS'Y. ARM RETRACT | 30A05000-039 |
| 4 | 2 | BOLT | NAS6204-17 |
| 5 | 4 | WASHER | NAS1149F0432P |
| 6 | 2 | NUT | MS21083N4 |
| 7 | 4 | BOLT | AN3-5A |
| 8 | 4 | WASHER | NAS1149D0316J |
| 9 | 4 | NUT | MS21044N3 |
| 10 | 2 | BUSHING | 10DU12 |
| 11 | 2 | BUSHING | 12DU12 |
| 12 | 1 | TRACK - MAIN GEAR - LEFT | 30A05114-007 |
| 13 | 1 | ASS"Y - ARM - GEAR INDICATOR | 30A05000-027 |
| 14 | 1 | MAIN GEAR BOLT ASS"Y - LOWER | 30A05000-038 |
| 14.1 | 1 | MODIFIED BOLT - DRAG LINK ATTACH | 30A05558-001 |
| 14.2 | 1 | COUPLING - MAIN GEAR | 30A04574-001 |
| 15 | 8 | BOLT | AN3-6A |
| 16 | 8 | WASHER | NAS1149D0316J |
| 17 | 8 | WASHER | NAS1149D0363J |
| 18 | 8 | NUT | MS21044N3 |
| 19 | 2 | WASHER | NAS1149D1016J |
| 20 | 2 | SEALING WASHER | 93783A033 |
| 21 | 1 | NUT, AXLE | MS21025-24 |
| 22 | 1 | COTTER PIN | MS24665-351 |
| 23 | 1 | BOLT | NAS6210-52 |

WIPLINE MODEL 3000 FLOAT PARTS MANUAL



MAIN GEAR RETRACTION
FIGURE 14

WIPLINE MODEL 3000 FLOAT PARTS MANUAL

MAIN GEAR RETRACTION, FIGURE 14

| <u>REF</u> <u>NO.</u> | <u>NO.</u> <u>REQ.</u> | <u>PART DESCRIPTION</u> | <u>PART NO.</u> |
|--------------------------|---------------------------|--|-----------------|
| 1 | 1 | ASS'Y. ARM RETRACT - DRAG LINK | 30A05000-042 |
| 1.1 | 1 | ASS'Y. ARM RETRACT - DRAG LINK | 30A05000-041 |
| 1.2 | 1 | CYLINDRICAL MAGNET | 3A05701-001 |
| 1.3 | 1 | SET SCREW | 1032 NFX 3/16 |
| 1.4 | 1 | PROX. SWITCH HOLDER | 30A05214-007 |
| 1.5 | 2 | COMMON GREASEZERK | 1095K41 |
| 2 | 1 | ASS'Y. SHOCK STRUT | 30A04000-100 |
| 2.1 | 1 | ASSEMBLY - END SHOCK STRUT - UPPER | 30A04000-093 |
| 2.2 | 1 | ASSEMBLY - END SHOCK STRUT - LOWER | 30A04000-120 |
| 2.3 | 1 | DUAL BUSHING ASSEMBLY | 1002089 |
| 2.4 | 1 | BUSHING ASSEMBLY (for Cessna 180 only) | 1001102 |
| 2.5 | 1 | COTTER PIN | MS24665-151 |
| 2.6 | 1 | PIN - RETAINING, SHOCK STRUT | 30A04476-004 |
| 2.7 | 1 | SLEEVE - SHOCK STRUT RETAINER | 30A04459-002 |
| 2.8 | 2 | COMMON GREASEZERK | 1095K41 |
| 2.9 | 2 | WASHER | NAS1149D0416J |
| 2.10 | 2 | WASHER | NAS1149D0463J |
| 3 | 1 | DRAG LINK - MAIN GEAR | 30A04000-091 |
| 3.1 | 2 | BUSHING | 10FDU10 |
| 3.2 | 1 | ASS'Y. DRAG LINK, MAIN GEAR | 30A04000-091 |

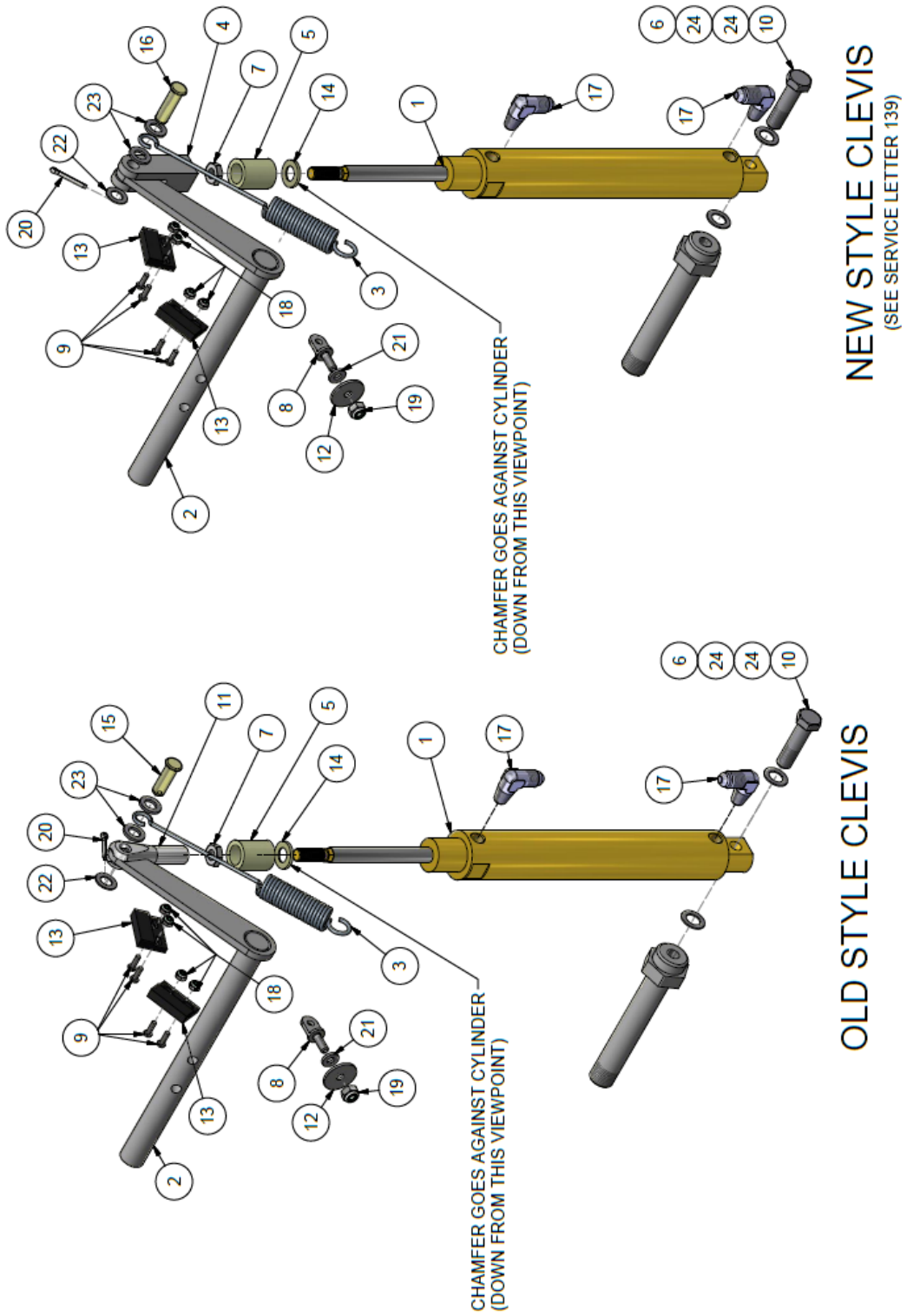
WIPLINE MODEL 3000 FLOAT PARTS MANUAL

MAIN GEAR RETRACTION, FIGURE 14

| <u>REF NO.</u> | <u>NO. REQ.</u> | <u>PART DESCRIPTION</u> | <u>PART NO.</u> |
|----------------|-----------------|-------------------------------|-----------------|
| 4 | 1 | SHAFT - AXLE - SHOCK STRUT | 30A04454-007 |
| 5 | 2 | ROLLER, SHOCK STRUT - RETRACT | 21A05520-003 |
| 6 | 1 | BOLT - DRAG LINK | 30A05702-016 |
| 7 | 1 | WASHER | NAS1149F1063P |
| 8 | 1 | NUT | MS21083N10 |
| 9 | 2 | COMMON GREASEZERK | 1095K41 |
| 10 | 1 | BUSHING | 30A04475-006 |

THIS PAGE INTENTIONALLY LEFT BLANK

WIPLINE MODEL 3000 FLOAT PARTS MANUAL



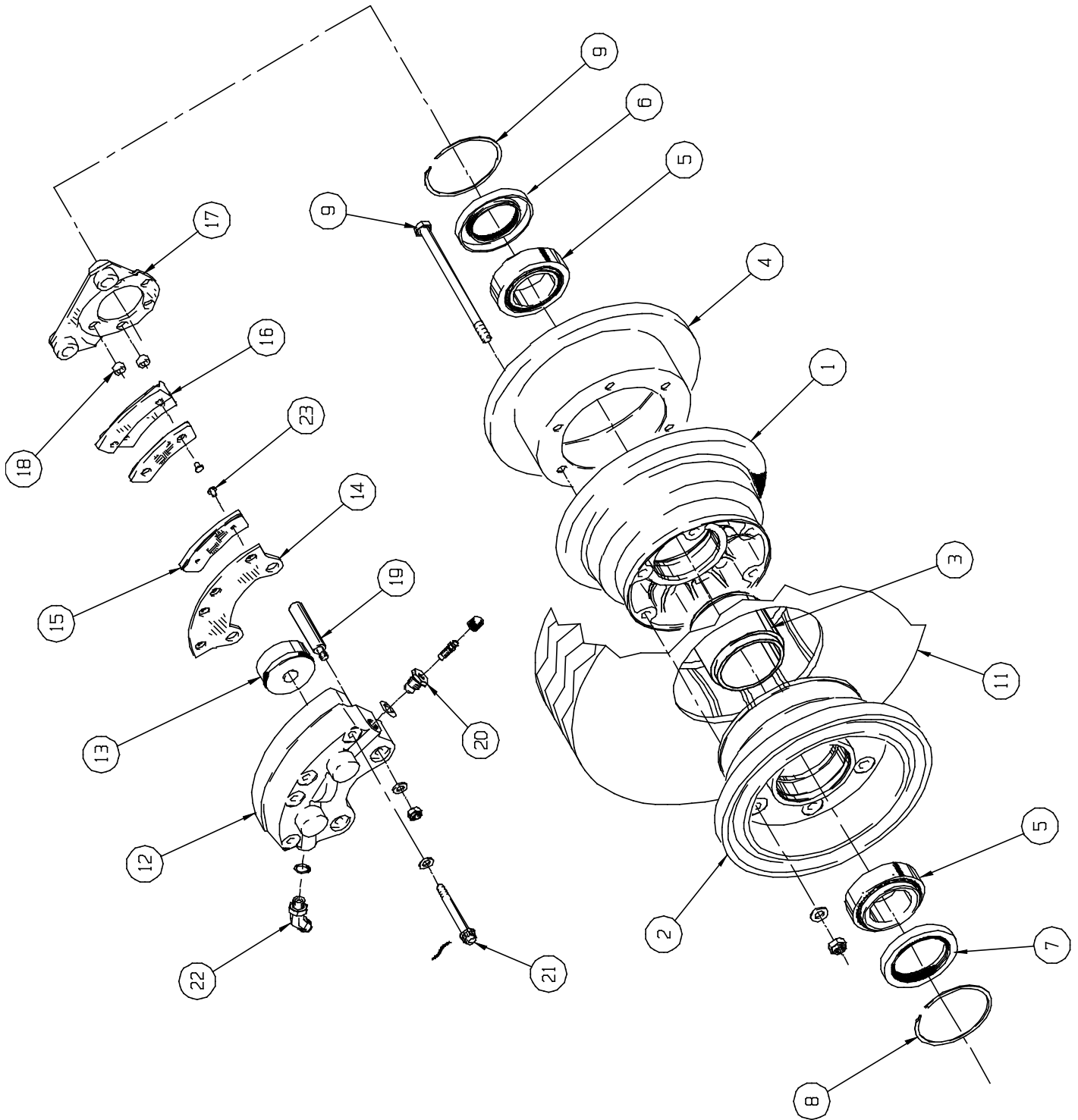
MAIN GEAR HYDRAULIC INSTALLATION
FIGURE 15

WIPLINE MODEL 3000 FLOAT PARTS MANUAL

MAIN GEAR HYDRAULIC INSTALLATION, FIGURE 15

| <u>REF NO.</u> | <u>NO. REQ.</u> | <u>PART DESCRIPTION</u> | <u>PART NO.</u> |
|--------------------|---------------------|--|-----------------|
| 1 | 1 | CYLINDER-MAIN GEAR, 3000-3450 | 1002573 |
| 2 | 1 | WELDMENT, ARM RETRACT, RIGHT | 21A05000-016 |
| 3 | 1 | SPRING - GEAR | 21A05525-008 |
| 4 | 1 | SPACER - HYDRAULIC CYLINDER | 30A05252-001 |
| 5 | 1 | CLEVIS - RETRACT ARM, MAIN GEAR, (30/3450) | 30A05460-001 |
| 6 | 1 | MODIFIED BOLT, DRAG LINK ATTACH | 30A05558-001 |
| 7 | 1 | NUT | AN316-5R |
| 8 | 1 | EYE BOLT | AN42-4A |
| 9 | 4 | SCREW, MACHINE | AN515-4R6 |
| 10 | 1 | BOLT | AN6-13A |
| 11 | 1 | TERMINAL, FLY WIRE | AN665-46RS |
| 12 | 1 | WASHER | AN970-3 |
| 13 | 2 | HAMLIN MAGNETIC SWITCH | Hamlin 59135-20 |
| 14 | 1 | WASHER - COUNTER SUNK | MS20002C6 |
| 15 | 1 | CLEVIS PIN | MS20392-4C25 |
| 16 | 1 | CLEVIS PIN | MS20392-4C29 |
| 17 | 2 | ELBOW | MS20822-4-4D |
| 18 | 4 | NUT | MS21044N04 |
| 19 | 1 | NUT | MS21044N3 |
| 20 | 2 | COTTER PIN | MS24665-283 |
| 21 | 1 | WASHER | NAS1149D0363J |
| 22 | 1 | WASHER | NAS1149F0532P |
| 23 | 2 | WASHER | NAS1149F0563P |
| 24 | 2 | WASHER | NAS1149F0632P |

WIPLINE MODEL 3000 FLOAT PARTS MANUAL



ASSEMBLY – MAIN GEAR WHEEL
FIGURE 16

WIPLINE MODEL 3000 FLOAT PARTS MANUAL

ASSEMBLY – MAIN GEAR WHEEL, FIGURE 16

| <u>REF NO.</u> | <u>NO. REQ.</u> | <u>PART DESCRIPTION</u> | <u>PART NO.</u> |
|----------------|-----------------|-----------------------------------|------------------------------------|
| 1 | 1 | WHEEL ASS'Y. (W/ TIRE & TUBE) | 8A04000-031 |
| 2 | 1 | WHEEL ASS'Y. (BOTH HALVES) | 40-418-3 |
| 3 | 1 | SPACER – GREASE DAM | 067-14700 |
| 4 | 1 | DISC – BRAKE | 164-24500 |
| 5 | 2 | CUP – BEARING | 13836 |
| | 2 | CONE – BEARING | 13889 |
| 6 | 1 | SEAL – GREASE | 473232 |
| 7 | 1 | SEAL – GREASE | 472439 |
| 8 | 2 | RING - SNAP | 155-14300 |
| 9 | 6 | BOLT | AN5-35A |
| | 6 | WASHER | NAS1149F0563P |
| | 6 | NUT | MS210425 |
| 10 | 1 | NAMEPLATE – “WARNING” (NOT SHOWN) | 166-20000 |
| | 1 | NAMEPLATE (NOT SHOWN) | 166-19700 |
| 11 | 1 | TIRE | AA1E6* |
| | 1 | TUBE | XA1AD** |
| 12 | 1 | BRAKE ASS'Y. | 30A04000-103 RH 30A04000-102 LH |
| 13 | 2 | PISTON | 062-10700 |
| | 1 | O-RING | MS28775-222 |
| 14 | 1 | PLATE - PRESSURE | 063-01100 |
| 15 | 2 | LINING - BRAKE | 066-10500 |

WIPLINE MODEL 3000 FLOAT PARTS MANUAL

ASSEMBLY – MAIN GEAR WHEEL, FIGURE 16

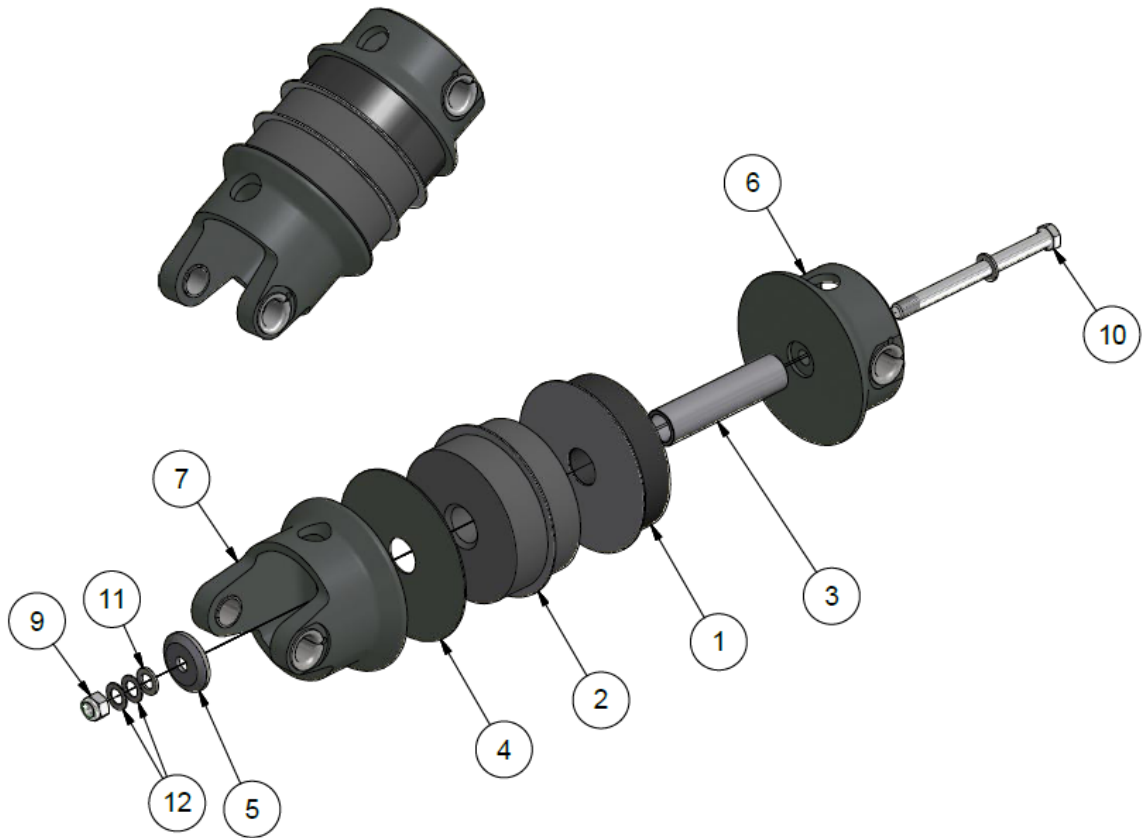
| <u>REF NO.</u> | <u>NO. REQ.</u> | <u>PART DESCRIPTION</u> | <u>PART NO.</u> |
|----------------|-----------------|-------------------------|-----------------|
| 16 | 1 | PLATE – BACK | 064-01500 |
| 17 | 1 | PLATE - TORQUE | 075-20700 |
| 18 | 1 | BUSHING | 145-01000 |
| 19 | 2 | BOLT - ANCHOR | 069-03100 |
| | 2 | WASHER | NAS1149F0463P |
| | 2 | NUT | MS21044N4 |
| 20 | 1 | SEAT - BLEEDER | 081-00200 |
| | 1 | O-RING | MS28775-012 |
| | 1 | SCREW – BLEEDER | 079-00300 |
| | 1 | CAP – BLEEDER | 183-00100 |
| 21 | 4 | BOLT | MS21250H04026 |
| | 4 | WASHER | MS20002C4 |
| | A/R | LOCKWIRE | MS20995-C32 |
| 22 | 1 | FITTING | 104-04700 |
| | 1 | O-RING | MS28775-012 |
| 23 | 4 | RIVET | 105-00200 |

*6.00 X 6, 8 PLY

**6.00 X 6

THIS PAGE INTENTIONALLY LEFT BLANK

WIPLINE MODEL 3000 FLOAT PARTS MANUAL



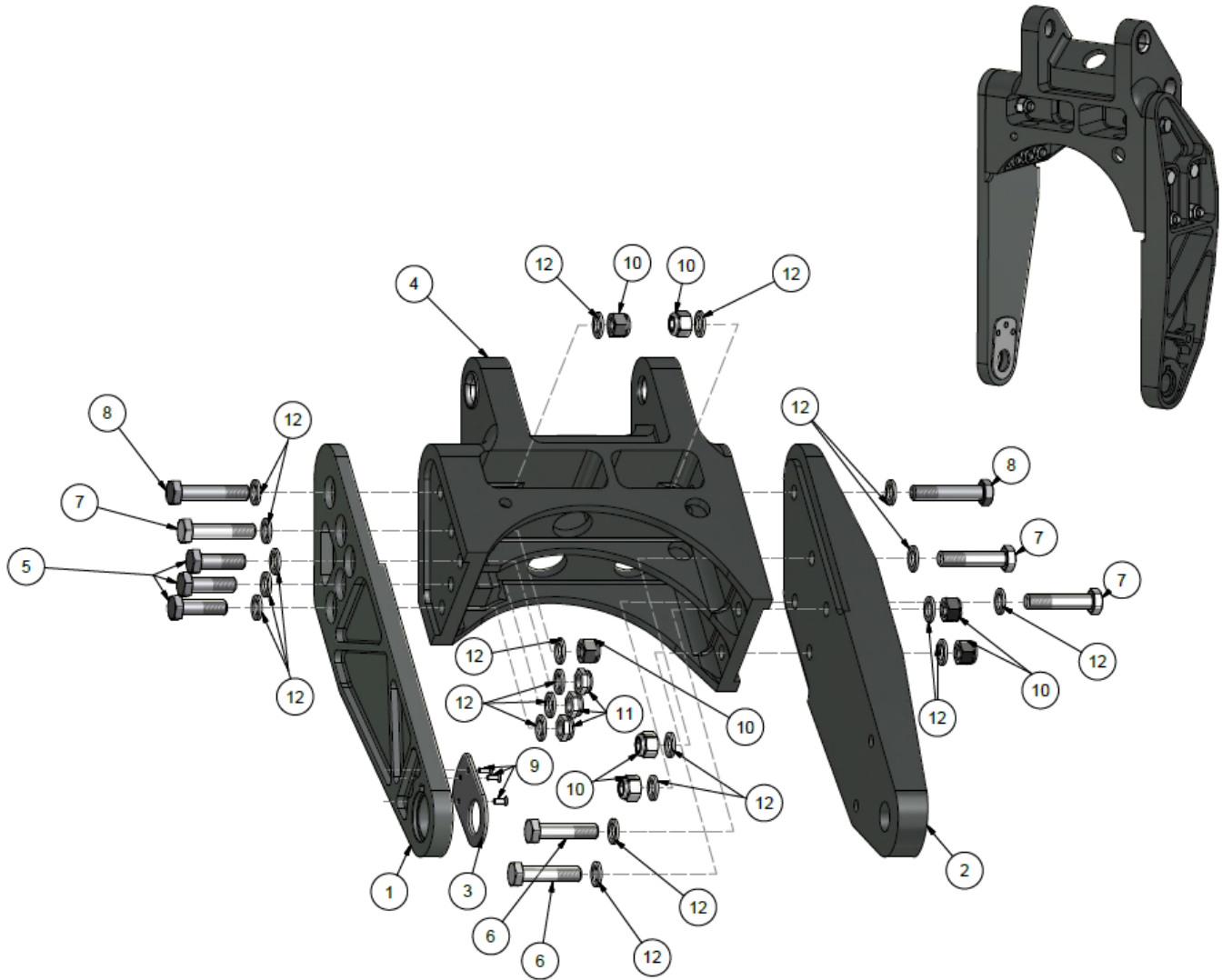
ASSEMBLY, SHOCK, MAIN GEAR (ALUM. GEAR)
FIGURE 17

WIPLINE MODEL 3000 FLOAT PARTS MANUAL

ASSEMBLY, SHOCK, MAIN GEAR (ALUM. GEAR), FIGURE 17

| <u>REF NO.</u> | <u>NO. REQ.</u> | <u>PART DESCRIPTION</u> | <u>PART NO.</u> |
|----------------|-----------------|---|-------------------|
| | 2 | ASS'Y. SHOCK, LIGHT DUTY, MAIN GEAR | 1004286-02 |
| 1 | 1 | BUSHING ASS'Y., SHOCK STRUT | 1001103 |
| 2 | 1 | BUSHING ASS'Y., DUAL, SHOCK STRUT | 1002089 |
| 3 | 1 | TUBE, STRUT, MAIN | 1004267 |
| 4 | 1 | SHOCK SPACER, MAIN | 1004268 |
| 5 | 1 | STRUT END CAP, MAIN | 1004269 |
| 6 | 1 | ASS'Y., UPPER SHOCK STRUT, MAIN | 1005765 |
| 7 | 1 | ASS'Y., LOWER SHOCK STRUT, MAIN | 1005766 |
| 9 | 1 | NUT | MS21044N7 |
| 10 | 1 | BOLT | AN7-51A |
| 11 | 2 | WASHER | NAS1149D0763P |
| 12 | 2 | WASHER | NAS1149D0732P |
| | 2 | ASS'Y. SHOCK, MEDIUM DUTY, MAIN GEAR | 1004286-03 |
| 1 | 1 | BUSHING ASS'Y., SHOCK STRUT | 1001102 |
| 2 | 1 | BUSHING ASS'Y., DUAL, SHOCK STRUT | 1002090 |
| 3 | 1 | TUBE, STRUT, MAIN | 1004267 |
| 4 | 1 | SHOCK SPACER, MAIN | 1004268 |
| 5 | 1 | STRUT END CAP, MAIN | 1004269 |
| 6 | 1 | ASS'Y., UPPER SHOCK STRUT, MAIN | 1005765 |
| 7 | 1 | ASS'Y., LOWER SHOCK STRUT, MAIN | 1005766 |
| 9 | 1 | NUT | MS21044N7 |
| 10 | 1 | BOLT | AN7-51A |
| 11 | 2 | WASHER | NAS1149D0763P |
| 12 | 2 | WASHER | NAS1149D0732P |

WIPLINE MODEL 3000 FLOAT PARTS MANUAL



ASSY. PIVOT, MAIN GEAR W/O WHEEL (ALUM. GEAR)
FIGURE 18

WIPLINE MODEL 3000 FLOAT PARTS MANUAL

ASSY., PIVOT, MAIN GEAR W/O WHEEL (ALUM. GEAR)
FIGURE 18

| <u>REF NO.</u> | <u>NO.</u> | <u>PART DESCRIPTION</u> | <u>PART NO.</u> |
|----------------|------------|---|-----------------|
| | 1 | ASS'Y., PIVOT, RH, MAIN GEAR W/O WHEEL | 1005746 |
| | 1 | ASS'Y., PIVOT, LH, MAIN GEAR W/O WHEEL | 1005747 |
| 1 | 1 | LINK ARM, OUTBRD, RT FLOAT | 1004274 |
| | 1 | LINK ARM, OUTBRD, LT FLOAT | 1005370 |
| 2 | 1 | LINK ARM, INBRD, RT FLOAT | 1004275 |
| | 1 | LINK ARM, INBRD, LT FLOAT | 1005369 |
| 3 | 1 | GREASE COVER, MAIN GEAR, 3000 3450 | 1005387 |
| 4 | 1 | ASSY, CENTER LINK, RH, MAIN GEAR | 1005744 |
| | 1 | ASSY, CENTER LINK, LH, MAIN GEAR | 1005745 |
| 5 | 3 | BOLT | AN6-11A |
| 6 | 2 | BOLT | AN6-14A |
| 7 | 3 | BOLT | AN6-15A |
| 8 | 2 | BOLT | AN6-16A |
| 9 | 3 | RIVET-FLAT HEAD | MS20426-4 |
| 10 | 7 | NUT | MS21044N6 |
| 11 | 3 | NUT | MS21083N6 |
| 12 | 20 | WASHER | NAS1149D0663J |

WIPLINE MODEL 3000 FLOAT PARTS MANUAL

ASSY., PIVOT, MAIN GEAR WITH WHEEL (ALUM. GEAR)
FIGURE 19

| <u>REF NO.</u> | <u>NO.</u> | <u>PART DESCRIPTION</u> | <u>PART NO.</u> |
|----------------|------------|---|-----------------|
| | 1 | ASS'Y., PIVOT, RH, MAIN GEAR | 1004288 |
| | 1 | ASS'Y., PIVOT, LH, MAIN GEAR | 1005377 |
| 1 | 1 | TORQUE PLATE | 075-20700 |
| 2 | 1 | LOCKING HUB, MAIN | 1004281 |
| 3 | 1 | AXLE, MAIN GEAR | 1004283 |
| 4 | 1 | BOLT - 7/16-20 UNF-3A, 8.20 GRIP | 1005374 |
| 5 | 1 | HUB, AXLE | 1005378 |
| 6 | 1 | HUB, AXLE | 1005389 |
| 7 | 1 | ASS'Y., PIVOT, RH, MAIN GEAR W/O WHEEL | 1005746 |
| | 1 | ASS'Y., PIVOT, LH, MAIN GEAR W/O WHEEL | 1005747 |
| 8 | 1 | BRAKE ASSEMBLY COMPLETE, RH | 1005844 |
| | 1 | BRAKE ASSEMBLY COMPLETE, LH | 1005775 |
| 8a | 4 | BOLT | AN4H21A |
| 8b | 2 | NUT | MS21083N4 |
| 8c | 6 | WASHER | NAS1149F0463P |
| 8d | 2 | BOLT - ANCHOR | 069-03100 |
| 9 | 1 | ASSY, BRACKET, ANTI ROTATION, MAIN, 3000 3450 | 1005855 |
| 10 | 1 | COMMON GREASEZERK | 1095K41 |
| 11 | 3 | BUSHING, TORQUE PLATE | 30A04523-002 |
| 12 | 1 | AXLE SPACER, MAIN WHEEL | 6A04093-002 |
| 13 | 1 | MAIN WHEEL ASSEMBLY | 8A04000-031 |
| 14 | 1 | NUT, HEX, CASTLE , 7/16-20 UNF | AN310-7 |
| 15 | 4 | BOLT | AN5-11A |
| 16 | 2 | BOLT | AN5-13A |
| 17 | 1 | NUT, AXLE | MS21025-24 |
| 18 | 6 | NUT | MS21044N5 |
| 19 | 1 | COTTER PIN | MS24665-302 |

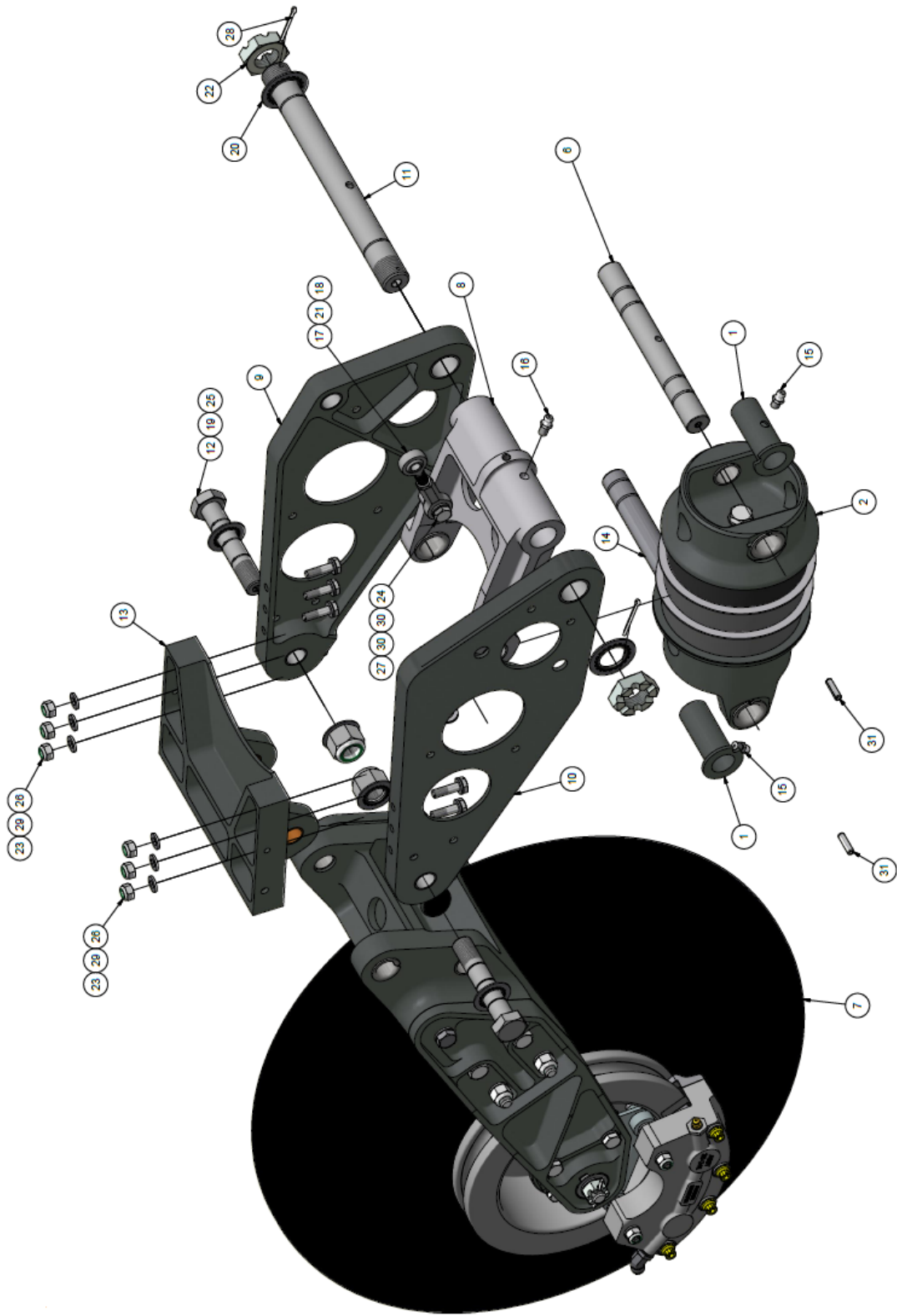
WIPLINE MODEL 3000 FLOAT PARTS MANUAL

ASSY., PIVOT, MAIN GEAR WITH WHEEL (ALUM. GEAR)
FIGURE 19

| <u>REF</u> <u>NO.</u> | <u>NO.</u> <u>REQ.</u> | <u>PART DESCRIPTION</u> | <u>PART NO.</u> |
|--------------------------|---------------------------|-------------------------|-----------------|
| 20 | 2 | WASHER | NAS1149F0532P |
| 21 | 12 | WASHER | NAS1149F0563P |
| 22 | 2 | WASHER | NAS1149F0732P |

THIS PAGE INTENTIONALLY LEFT BLANK

WIPLINE MODEL 3000 FLOAT PARTS MANUAL



ASSY., MAIN GEAR (ALUM. GEAR)
FIGURE 20

WIPLINE MODEL 3000 FLOAT PARTS MANUAL

ASSY., MAIN GEAR (ALUM. GEAR)
(LIGHT DUTY)
 FIGURE 20

| <u>REF NO.</u> | <u>NO.</u> | <u>PART DESCRIPTION</u> | <u>PART NO.</u> |
|----------------|------------|---|-------------------|
| | 1 | ASS'Y., MAIN GEAR, RIGHT, LIGHT DUTY (182) | 1004291-02 |
| | 1 | ASS'Y., MAIN GEAR, LEFT, LIGHT DUTY (182) | 1004251-02 |
| 1 | 2 | RETAINER, MAIN | 1004263 |
| 2 | 1 | ASS'Y., SHOCK, LIGHT DUTY, MAIN GEAR | 1004286-01 |
| 6 | 1 | ASS'Y., PIVOT PIN, SHOCK, UPPER, MAIN | 1004287 |
| 7 | 1 | ASSY, PIVOT, RH, MAIN GEAR | 1004288 |
| | 1 | ASS'Y., PIVOT, LH, MAIN GEAR | 1005377 |
| 8 | 1 | ASS'Y., UPPER SHOCK LINK | 1004289 |
| 9 | 1 | ASS'Y., SIDE SUPPORT, LH, MAIN | 1004882 |
| 10 | 1 | ASS'Y., SIDE SUPPORT, RH, MAIN | 1005375 |
| 11 | 1 | ASSEMBLY, SHAFT, UPPER SHOCK, MAIN GEAR | 1005733 |
| 12 | 2 | ASSEMBLY, BOLT, MODIFIED, LOWER PIVOT | 1005734 |
| 13 | 1 | ASSEMBLY, SUPPORT, PIVOT, LOWER, MAIN GEAR | 1005735 |
| 14 | 1 | ASS'Y., PIVOT PIN, SHOCK, LOWER, MAIN | 1005750 |
| 15 | 4 | COMMON GREASEZERK | 1095K41 |
| 16 | 1 | COMMON GREASEZERK | 1095K42 |
| 17 | 1 | BALL JOINT ROD END, 5/16" BALL ID, MALE | 59915K273 |
| 18 | 1 | BALL JOINT END, 5/16" BALL ID, FEMALE | 59915K483 |
| 19 | 4 | SEALING WASHER | 93783A035 |
| 20 | 2 | SEALING WASHER | 93783A046 |
| 21 | 1 | NUT | AN316-4R |
| 22 | 2 | NUT, HEX, SLOTTED , 7/8-14 UNF | AN320-14 |
| 23 | 6 | BOLT | AN4-7A |
| 24 | 1 | BOLT | AN5-11A |
| 25 | 2 | NUT | MS21044N10 |
| 26 | 6 | NUT | MS21044N4 |
| 27 | 1 | NUT | MS21044N5 |
| 28 | 2 | COTTER PIN | MS24665-304 |
| 20 | 12 | WASHER | NAS1149F0463P |
| 30 | 2 | WASHER | NAS1149F0532P |
| 31 | 2 | COTTER PIN | NAS561P6-12 |

WIPLINE MODEL 3000 FLOAT PARTS MANUAL

ASSY., MAIN GEAR (ALUM. GEAR)
(MEDIUM DUTY)
 FIGURE 20

| <u>REF NO.</u> | <u>NO.</u> | <u>PART DESCRIPTION</u> | <u>PART NO.</u> |
|----------------|------------|--|-------------------|
| | 1 | ASS'Y., MAIN GEAR, RIGHT, MEDIUM DUTY (182) | 1004291-03 |
| | 1 | ASS'Y., MAIN GEAR, LEFT, MEDIUM DUTY (182) | 1004251-03 |
| 1 | 2 | RETAINER, MAIN | 1004263 |
| 2 | 1 | ASS'Y., SHOCK, LIGHT DUTY, MAIN GEAR | 1004286-03 |
| 6 | 1 | ASS'Y., PIVOT PIN, SHOCK, UPPER, MAIN | 1004287 |
| 7 | 1 | ASSY, PIVOT, RH, MAIN GEAR | 1004288 |
| | 1 | ASS'Y., PIVOT, LH, MAIN GEAR | 1005377 |
| 8 | 1 | ASS'Y., UPPER SHOCK LINK | 1004289 |
| 9 | 1 | ASS'Y., SIDE SUPPORT, LH, MAIN | 1004882 |
| 10 | 1 | ASS'Y., SIDE SUPPORT, RH, MAIN | 1005375 |
| 11 | 1 | ASSEMBLY, SHAFT, UPPER SHOCK, MAIN GEAR | 1005733 |
| 12 | 2 | ASSEMBLY, BOLT, MODIFIED, LOWER PIVOT | 1005734 |
| 13 | 1 | ASSEMBLY, SUPPORT, PIVOT, LOWER, MAIN GEAR | 1005735 |
| 14 | 1 | ASS'Y., PIVOT PIN, SHOCK, LOWER, MAIN | 1005750 |
| 15 | 4 | COMMON GREASEZERK | 1095K41 |
| 16 | 1 | COMMON GREASEZERK | 1095K42 |
| 17 | 1 | BALL JOINT ROD END, 5/16" BALL ID, MALE | 59915K273 |
| 18 | 1 | BALL JOINT END, 5/16" BALL ID, FEMALE | 59915K483 |
| 19 | 4 | SEALING WASHER | 93783A035 |
| 20 | 2 | SEALING WASHER | 93783A046 |
| 21 | 1 | NUT | AN316-4R |
| 22 | 2 | NUT, HEX, SLOTTED , 7/8-14 UNF | AN320-14 |
| 23 | 6 | BOLT | AN4-7A |
| 24 | 1 | BOLT | AN5-11A |
| 25 | 2 | NUT | MS21044N10 |
| 26 | 6 | NUT | MS21044N4 |
| 27 | 1 | NUT | MS21044N5 |
| 28 | 2 | COTTER PIN | MS24665-304 |
| 20 | 12 | WASHER | NAS1149F0463P |
| 30 | 2 | WASHER | NAS1149F0532P |
| 31 | 2 | COTTER PIN | NAS561P6-12 |

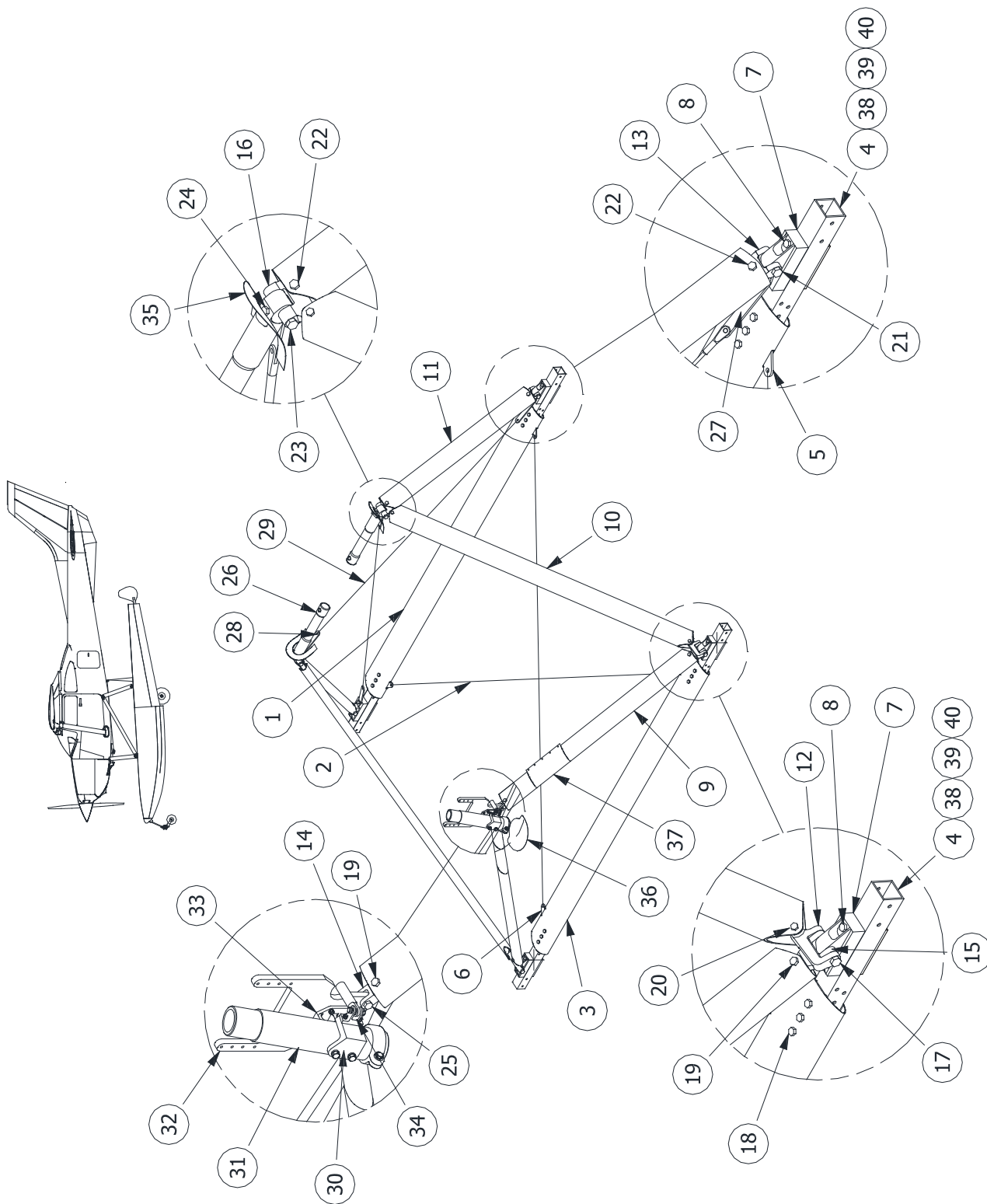
THIS PAGE INTENTIONALLY LEFT BLANK

WIPLINE MODEL 3000 FLOAT PARTS MANUAL

ASSEMBLY, ROTARY ACUATOR, MAIN GEAR
FIGURE 21

| <u>REF</u> <u>NO.</u> | <u>NO.</u> <u>REQ.</u> | <u>PART DESCRIPTION</u> | <u>PART NO.</u> |
|--------------------------|---------------------------|--|-----------------|
| | 1 | ASSMEBLY, ROTARY ACUTATOR, MAIN GEAR | 1005271 |
| 1 | 2 | CYLINDER, ROTARY ACTUATOR, MAIN GEAR | 1005272 |
| 2 | 2 | CYLINDER CAP, ROTARY ACTUATOR, MAIN GEAR | 1005273 |
| 3 | 1 | HOUSING TOP, ROTARY ACTUATOR, MAIN GEAR | 1005274 |
| 4 | 1 | HOUSING, ROTARY ACTUATOR, MAIN GEAR | 1005275 |
| 5 | 2 | PISTON, ROTARY ACTUATOR, MAIN GEAR | 1005276 |
| 6 | 1 | SHAFT, ROTARY ACTUATER, MAIN GEAR | 1005277 |
| 7 | 1 | ARM, GEAR ACTUATOR, 3000 3450 | 1005280 |
| 8 | 1 | SPUR GEAR, PDIA 2.00 BORE .625 MODIFIED | 1005282 |
| 9 | 2 | BOLT, 5/16-24 UNF X 1.5, W/ 1/8 DRIVE, SST, MODIFIED | 1005283 |
| 10 | 1 | RACK, MOD, ROTARY ACTUATOR, MAIN GEAR | 1005284 |
| 11 | 4 | SEAL, U-CUP, .156 C/S, .937 ID, 1.250 OD, 90 DURO, | 1005285 |
| 12 | 1 | GREASE ZERK | 1095K41 |
| 13 | 2 | 5018T168 | 5018T168 |
| 14 | 1 | KEY, 3/16 X 3/16 X .75 LG, 1018 STL, .002 OVER SIZED | 98870A330 |
| 15 | 1 | KEY, 3/16 X 3/16 X .75 LG, 1018 STL, .002 OVER SIZED | 98870A570 |
| 16 | 2 | NUT | AN316C5R |
| 17 | 1 | BOLT | AN4-10A |
| 18 | 2 | SCREW, MACHINE, TRUSS HEAD | AN526C832R8 |
| 19 | 2 | ELBOW | MS20822-4D |
| 20 | 2 | "O" RING | MS28775-024 |
| 21 | 2 | "O" RING | MS28775-121 |
| 22 | 2 | WASHER | NAS1149C0563R |
| 23 | 2 | WASHER | NAS1149CN832R |
| 24 | 1 | WASHER | NAS1149D0416J |
| 25 | 2 | RETAINING RING, INTERNAL | MS16625-4125 |
| 26 | 2 | RETAINING RING, INTERNAL | MS16625-4131 |
| 27 | 2 | FLANGED BUSHING | 10FDU10 |
| 28 | 1 | GREASE ZERK | 1095K11 |
| 29 | 1 | NUT | MS21044N4 |

WIPLINE MODEL 3000 FLOAT PARTS MANUAL



INSTALLATION – STRUTS, WIRES AND SPREADER WIRES
FIGURE 22

WIPLINE MODEL 3000 FLOAT PARTS MANUAL

INSTALLATION – STRUTS, WIRES, & SPREADER BARS, FIGURE 22

| <u>REF NO.</u> | <u>NO. REQ.</u> | <u>PART DESCRIPTION</u> | <u>PART NO.</u> |
|----------------|-----------------|---------------------------------------|-----------------|
| 1 | 1 | SPREADER BAR - AFT | 30A03000-033 |
| 2 | 2 | ASS'Y – DRAG WIRE – SPR. BAR. | 30A02000-189 |
| | 1 | CLEVIS L. | AN665-34LS * |
| | 1 | CLEVIS R. | AN665-34RS * |
| | 1 | NUT CHECK L. | AN316C4L |
| | 1 | NUT CHECK R. | AN316C4R |
| | 2 | PIN – CLEVIS | MS20392-3C15 |
| | 2 | PIN – COTTER | MS24665-151 |
| 3 | 1 | SPREADER BAR - FWD | 30A03000-032 |
| 4 | 2 | TUBE – SPR. BAR – L. (SEE FIG. 1 & 2) | 30A03319-001 |
| | 2 | TUBE – SPR. BAR – R. (SEE FIG. 1 & 2) | 30A03319-002 |
| 5 | 2 | WIRE PULL – AFT SPR. BAR | 30A03462-007 |
| 6 | 2 | WIRE PULL – FWD SPR. BAR | 30A03462-009 |
| 7 | 4 | FITTING – DECK – FWD & AFT | 30A02219-003 |
| 8 | 8 | BOLT – DECK FITTING ATTACH | AN6-42A |
| | A/R | WASHER | NAS1149F0663P |
| | 8 | NUT | MS21044N6 |
| 9 | 2 | ASS'Y – FRONT STRUT | 30A02000-194 |
| 10 | 2 | ASS'Y – DIAGONAL STRUT | 30A02000-195 |
| 11 | 2 | ASS'Y – REAR STRUT | 30A02000-196 |
| 12 | 2 | FITTING – FRONT STRUT – LOWER | 30A02191-003 |

* "S" DENOTES STAINLESS STEEL

WIPLINE MODEL 3000 FLOAT PARTS MANUAL

INSTALLATION – STRUTS, WIRES, & SPREADER BARS, FIGURE 22

| <u>REF NO.</u> | <u>NO. REQ.</u> | <u>PART DESCRIPTION</u> | <u>PART NO.</u> |
|----------------|-----------------|-------------------------------------|-----------------|
| 13 | 2 | FITTING – REAR STRUT – LOWER | 30A02207-005 |
| 14 | 1 | FITTING – FRONT STRUT – UPPER L. | 30A02194-003 |
| | 1 | FITTING – FRONT STRUT – UPPER R. | 30A02194-004 |
| 15 | 1 | FITTING – FRONT DIAGONAL – LOWER L. | 30A02204-007 |
| | 1 | FITTING – FRONT DIAGONAL – LOWER R. | 30A02204-008 |
| 16 | 2 | FITTING – REAR STRUT – UPPER | 30A02204-006 |
| 17 | 2 | BOLT – FITTING ATTACH | AN7-37A |
| | A/R | WASHER | NAS1149F0763P |
| | 2 | NUT | MS21044N7 |
| 18 | 12 | BOLT – SPR. BAR ATTACH | AN6-30A |
| | A/R | WASHER | NAS1149F0663P |
| | 12 | NUT | MS21044N6 |
| 19 | 4 | BOLT – STRUT ATTACH | AN6-21A |
| | A/R | WASHER | NAS1149F0632P |
| | 4 | NUT | MS21044N6 |
| 20 | 4 | BOLT – STRUT ATTACH | AN5-16A |
| | A/R | WASHER | NAS1149F0563P |
| | 4 | NUT | MS21044N5 |
| 21 | 2 | BOLT – REAR FITTING ATTACH | AN7-26A |
| | A/R | WASHER | NAS1149F0763P |
| | 2 | NUT | MS21044N7 |
| 22 | 4 | BOLT – STRUT ATTACH | AN7-17A |
| | A/R | WASHER | NAS1149F0763P |
| | 4 | NUT | MS21044N7 |

WIPLINE MODEL 3000 FLOAT PARTS MANUAL

INSTALLATION – STRUTS, WIRES, & SPREADER BARS, FIGURE 22

| <u>REF NO.</u> | <u>NO. REQ.</u> | <u>PART DESCRIPTION</u> | <u>PART NO.</u> |
|----------------|-----------------|--------------------------|-----------------|
| 23 | 2 | BOLT – STRUT ATTACH | AN8-37A |
| | A/R | WASHER | NAS1149F0832P |
| | 2 | NUT | MS21044N8 |
| 24 | 2 | BOLT – FITTING | AN7-23A |
| | A/R | WASHER | NAS1149F0963J |
| | 2 | NUT | MS21044N7 |
| 25 | 2 | BOLT – UPPER FITTING | AN6-14A |
| | A/R | WASHER | NAS1149F0463P |
| | 2 | NUT | MS21044N6 |
| 26 | 2 | FITTING – MAIN GEAR | 30A02251-003 |
| 27 | 2 | WIRE PULL – LOWER | 30A02462-016 |
| 28 | 2 | WIRE PULL – UPPER | 30A02462-017 |
| 29 | 2 | ASS'Y – DRAG WIRE | 3A02000-045 |
| | 1 | WIRE | AN676AC-59.75 |
| | 1 | CLEVIS L. | AN665-80LAS * |
| | 1 | CLEVIS R. | AN665-80RAS * |
| | 1 | NUT CHECK L. | AN316C6L |
| | 1 | NUT CHECK R. | AN316C6R |
| | 2 | PIN – CLEVIS | MS20392-5C21 |
| | 2 | PIN – COTTER | MS24665-301 |
| 30 | 1 | BRACKET, SHIMMY DAMPENER | 30A12376-001 |
| | 2 | BOLT - ATTACH | AN5-34A |
| | A/R | WASHER | NAS1149F0563P |
| | 2 | NUT | MS21044N5 |
| 31 | 1 | TUBE | 30A02713-003 |

* "S" DENOTES STAINLESS STEEL

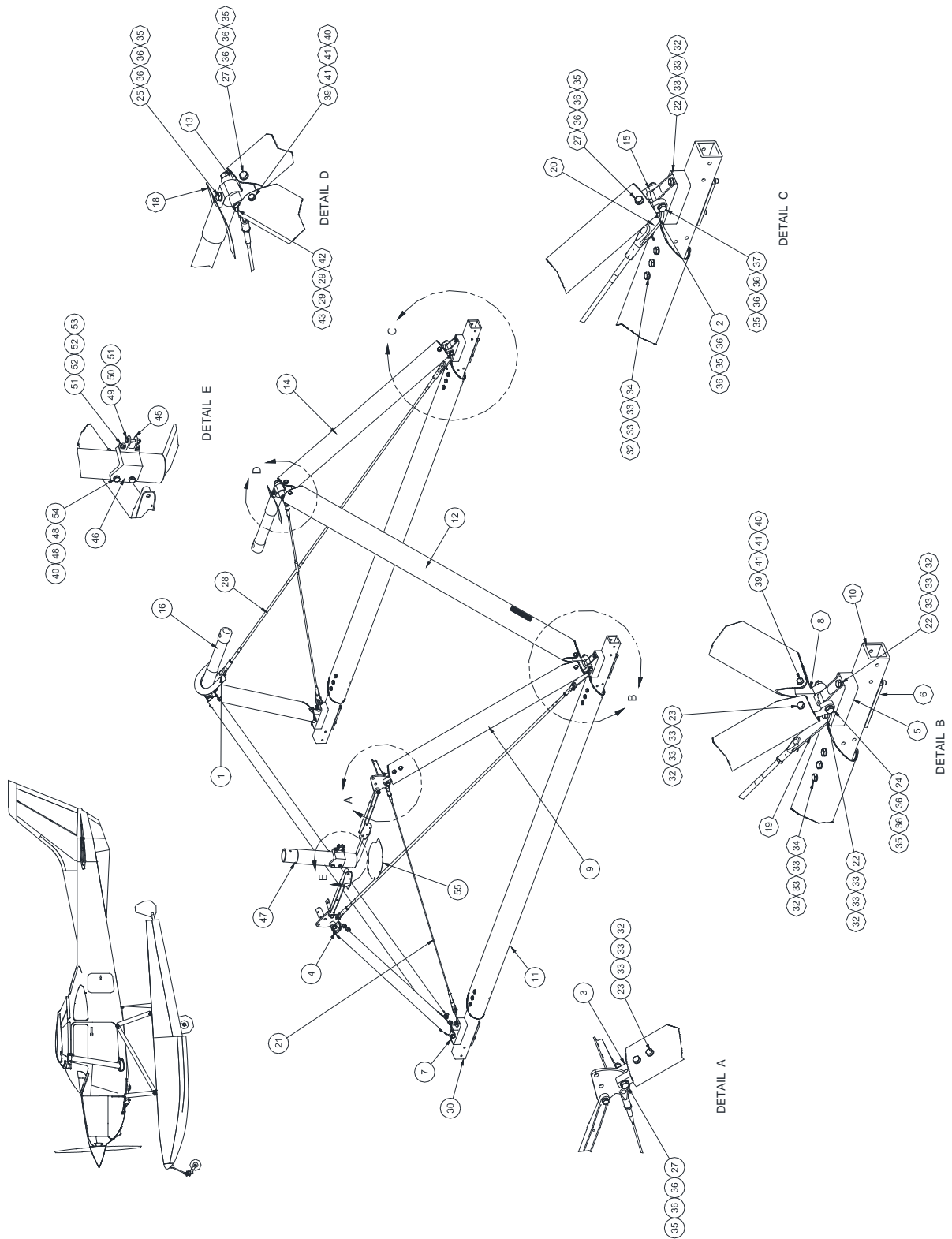
WIPLINE MODEL 3000 FLOAT PARTS MANUAL

INSTALLATION – STRUTS, WIRES, & SPREADER BARS, FIGURE 22

| <u>REF NO.</u> | <u>NO. REQ.</u> | <u>PART DESCRIPTION</u> | <u>PART NO.</u> |
|----------------|-----------------|---|-----------------|
| 32 | 1 | SUPPORT - PLATE | 30A12000-047 |
| 33 | 1 | BRACKET, FRONT STRUT SUPPORT | 30A02192-008 |
| | 4 | BOLT – ATTACH | AN4-12A |
| A/R | | WASHER | NAS1149F0463P |
| | 4 | NUT | MS21044N4 |
| 34 | 1 | LUG – SHIMMY DAMPENER | 30A12193-004 |
| | 2 | BOLT – ATTACH | AN3-10A |
| A/R | | WASHER | NAS1149F0363P |
| | 2 | NUT | MS21044N3 |
| 35 | 2 | COVER – MAIN GEAR | 30A12005-305 |
| 36 | 1 | COVER – GEAR FAIRING | 30A12005-304 |
| 37 | 2 | COVER – EXHAUST SHIELD (LYCOMING ENGINE ONLY) | 30A02451-001 |
| | 10 | SCREW | AN526C632R6 |
| | 10 | WASHER | NAS1149FN632P |
| | 10 | NUT | MS21045-06 |
| 38 | 8 | BLOCK – TUBE, SPREADER BAR | 30A03237-003 |
| 39 | 16 | SCREW | MS24694S49 |
| 40 | 4 | BOLT | AN6-41A |
| | 4 | WASHER | NAS1149F0663P |
| | 4 | NUTS | MS21044N6 |

THIS PAGE INTENTIONALLY LEFT BLANK

WIPLINE MODEL 3000 FLOAT PARTS MANUAL



INSTALLATION – STRUTS, WIRES AND SPREADER WIRES (4 POINT)
 FIGURE 22a

WIPLINE MODEL 3000 FLOAT PARTS MANUAL

INSTALLATION – STRUTS, WIRES, & SPREADER BARS, (4 POINT), FIGURE 22a

| <u>REF NO.</u> | <u>NO. REQ.</u> | <u>PART DESCRIPTION</u> | <u>PART NO.</u> |
|----------------|-----------------|---------------------------|-----------------|
| 1 | 2 | LUG | 1002810 |
| 2 | 2 | BOLT | AN7-43A |
| 3 | 1 | FITTING - UPPER FWD LEFT | 1002610 |
| 4 | 1 | FITTING - UPPER FWD RIGHT | 1002612 |
| 5 | 4 | FITTING | 30A02219-003 |
| 6 | 4 | PLATE - REINFORCEMENT | 30A03154-010 |
| 7 | 1 | FITTING - LOWER FWD RIGHT | 1002604 |
| 8 | 1 | FITTING - LOWER FWD LEFT | 1002607 |
| 9 | 2 | ASS'Y - STRUT - FWD | 1002608 |
| 10 | 2 | TUBE - SPREADER BAR - LH | 30A03319-001 |
| 11 | 2 | SPREADER BAR | 30A03000-031 |
| 12 | 2 | ASS'Y - STRUT - DIAGONAL | 30A02000-195 |
| 13 | 2 | UPPER REAR FITTING | 30A02204-006 |
| 14 | 2 | ASS'Y - STRUT - REAR | 30A02000-196 |
| 15 | 2 | LOWER REAR FITTING | 30A02207-005 |
| 16 | 2 | MAIN GEAR FITTING | 30A02251-003 |
| 18 | 2 | COVER - MAIN GEAR | 30A12005-305 |
| 19 | 2 | LUG | 30A02462-016 |

WIPLINE MODEL 3000 FLOAT PARTS MANUAL

INSTALLATION – STRUTS, WIRES, & SPREADER BARS, (4 POINT), FIGURE 22a

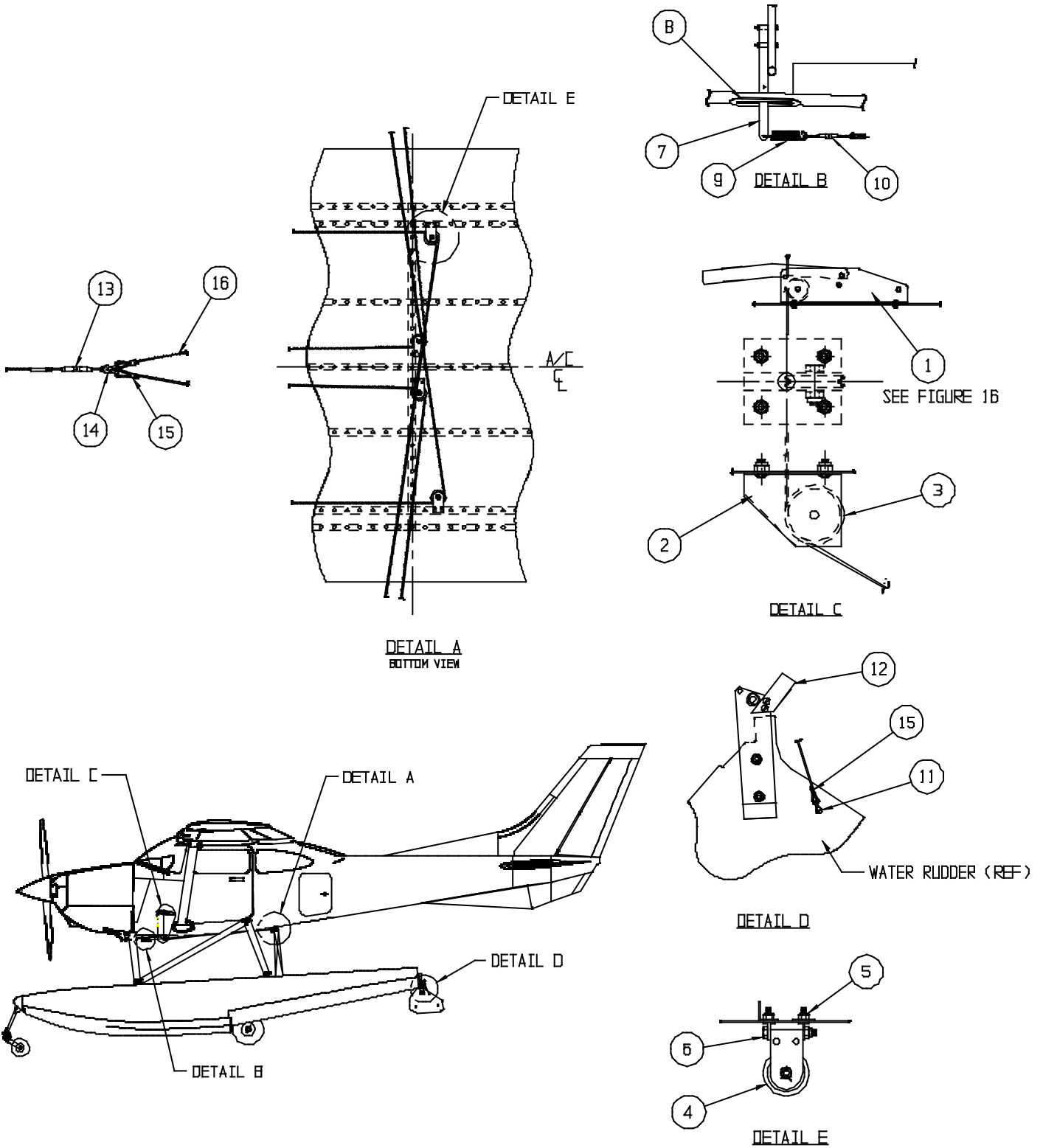
| <u>REF NO.</u> | <u>NO. REQ.</u> | <u>PART DESCRIPTION</u> | <u>PART NO.</u> |
|----------------|-----------------|--------------------------|-----------------|
| 20 | 2 | LUG | 34A02496-003 |
| 21 | 2 | ASS'Y | 30A02000-045 |
| 22 | 6 | BOLT | AN6-42A |
| 23 | 6 | BOLT | AN6-22A |
| 24 | 2 | BOLT | AN7-32A |
| 25 | 2 | BOLT | AN7-23A |
| 27 | 6 | BOLT | AN7-22A |
| 28 | 2 | ASS'Y | 34A02000-209 |
| 29 | 4 | WASHER | NAS1149F0863P |
| 30 | 2 | TUBE - SPREADER BAR - RH | 30A03319-002 |
| 32 | 24 | NUT | MS21044N6 |
| 33 | 52 | WASHER | NAS1149F0663P |
| 34 | 12 | BOLT | AN6-30A |
| 35 | 14 | NUT | MS21044N7 |
| 36 | 28 | WASHER | NAS1149F0763P |
| 37 | 2 | BOLT | AN7-26A |
| 39 | 4 | BOLT | AN5-22A |
| 40 | 6 | NUT | MS21044N5 |

WIPLINE MODEL 3000 FLOAT PARTS MANUAL

INSTALLATION – STRUTS, WIRES, & SPREADER BARS, (4 POINT), FIGURE 22a

| <u>REF NO.</u> | <u>NO. REQ.</u> | <u>PART DESCRIPTION</u> | <u>PART NO.</u> |
|----------------|-----------------|---------------------------------|-----------------|
| 41 | 8 | WASHER | NAS1149F0563P |
| 42 | 2 | BOLT | AN8-37A |
| 43 | 2 | NUT | MS21044N8 |
| 45 | 1 | LUG - SHIMMY DAMPENER (182) | 30A12193-004 |
| 46 | 1 | BRACKET - SHIMMY DAMPENER (182) | 30A12376-001 |
| 47 | 1 | TUBE - UPPER FWD FITTING (182) | 30A02713-003 |
| 48 | 4 | WASHER | NAS1149F0463P |
| 49 | 1 | BOLT | AN3-11A |
| 50 | 1 | WASHER | NAS1149F0332P |
| 51 | 3 | NUT | MS21044N3 |
| 52 | 4 | WASHER | NAS1149F0363P |
| 53 | 2 | SCREW | MS24694S57 |
| 54 | 2 | BOLT | AN5-34A |
| 55 | 1 | COVER - FAIRING | 30A12005-304 |

WIPLINE MODEL 3000 FLOAT PARTS MANUAL



INSTALLATION – STEERING AND RETRACT SYSTEM
FIGURE 23

WIPLINE MODEL 3000 FLOAT PARTS MANUAL

INSTALLATION – STEERING AND RETRACT SYSTEM, FIGURE 23

| <u>REF NO.</u> | <u>NO. REQ.</u> | <u>PART DESCRIPTION</u> | <u>PART NO.</u> |
|----------------|-----------------|---|-----------------|
| 1 | 1 | ASS'Y – RETRACT HANDLE SEE FIGURE 16 | 21A08000-128 |
| | 4 | SCREW - ATTACH | AN526-1032R8 |
| | 4 | WASHER | NAS1149D0332J |
| | 4 | NUT | MS21044N3 |
| 2 | 1 | PULLEY BRACKET | 3A08151-046 |
| | 4 | SCREW – ATTACH | AN526-1032R8 |
| | 4 | WASHER | NAS1149D0316J |
| | 4 | NUT | MS21044N3 |
| 3 | 1 | PULLEY | MS20219-2 |
| | 1 | BOLT | AN4-7A |
| | 1 | WASHER | NAS1149D0463J |
| | 1 | NUT | MS21044N4 |
| 4 | 4 | ASS'Y – PULLEY BRACKET | 21A08000-125 |
| | 1 | BRACKET | 21A08008-150 |
| | 1 | SPACER BLOCK | 21A08230-002 |
| | 1 | PULLEY | MS20219-2 |
| | 1 | BOLT | AN4-7A |
| | 1 | NUT | MS21083N4 |
| | 1 | WASHER | NAS1149D0463J |
| | 1 | WASHER | NAS1149D0416J |
| 5 | 8 | EYEBOLT | AN42B4A |
| | 8 | WASHER | NAS1149D0363J |
| | 8 | NUT | MS21044N3 |
| 6 | 4 | BOLT | AN3-16A |
| | 4 | WASHER | NAS1149D0332J |
| | 4 | NUT | MS21044N3 |
| 7 | 1 | ASS'Y – ARM - STEERING | 30A08000-146 |
| | 2 | BOLT – ATTACH | AN3-21A |
| | 2 | WASHER | NAS1149D0363J |
| | 2 | NUT | MS21044N3 |

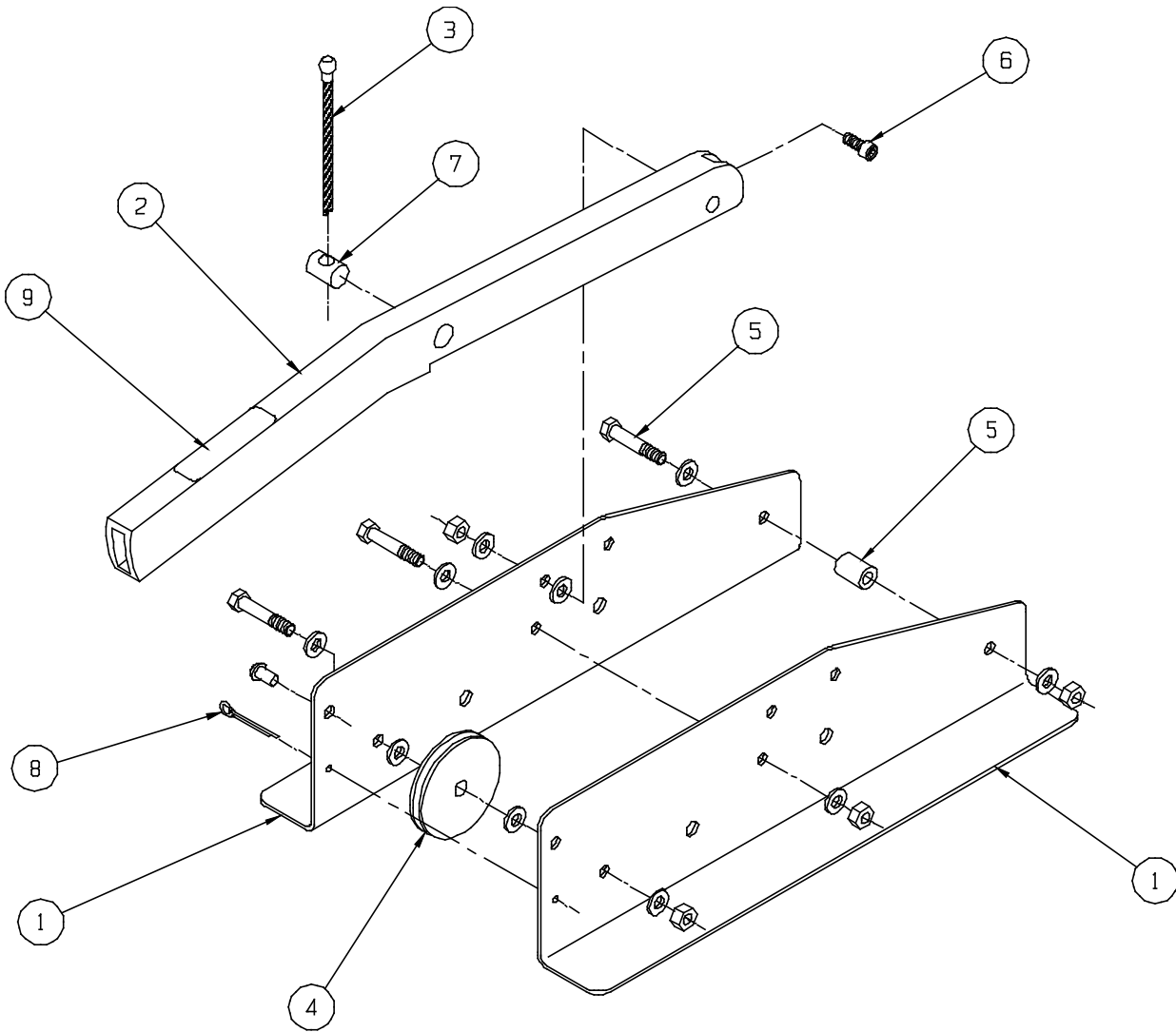
WIPLINE MODEL 3000 FLOAT PARTS MANUAL

INSTALLATION – STEERING AND RETRACT SYSTEM, FIGURE 23

| <u>REF NO.</u> | <u>NO. REQ.</u> | <u>PART DESCRIPTION</u> | <u>PART NO.</u> |
|----------------|-----------------|--------------------------|-----------------|
| 8 | 2 | COVER - SPRING | 30A12156-156 |
| | 2 | SEAL | 30A12566-008 |
| 9 | 2 | SPRING | 21A08525-007 |
| 10 | 2 | TURNBUCKLE - BARREL | MS21251B3S |
| | 2 | EYE - TERMINAL | MS21255-3RS |
| | 2 | EYE – TERMINAL | MS21255-3LS |
| 11 | 2 | SHACKLES | MS20115-3 |
| | 2 | PIN – ATTACH | MS20392-2-13 |
| | 2 | PIN – COTTER | MS24665-132 |
| | 2 | WASHER | NAS1149F0363P |
| 12 | 2 | STOP – WATER RUDDER L. | 34A08205-007 |
| | 2 | STOP – WATER RUDDER R. | 34A08205-008 |
| | 8 | SCREW – ATTACH | AN526-1032R10 |
| | 8 | WASHER | NAS1149F0332P |
| | 8 | WASHER, LOCK | MS35333-39 |
| 13 | 1 | TURNBUCKLE – BARREL | MS21251B3S |
| 14 | 1 | FORK, TURNBUCKLE | AN161-16RS |
| | 1 | PIN – CLEVIS | MS20392-2C15 |
| | 1 | PIN – COTTER | MS24665-132 |
| | 1 | WASHER | NAS1149F0332P |
| 15 | 4 | STRAP, FORK END | NAS1435K3 |
| 16 | A/R | CABLE – (REQUEST LENGTH) | RM 590 |

THIS PAGE INTENTIONALLY LEFT BLANK

WIPLINE MODEL 3000 FLOAT PARTS MANUAL



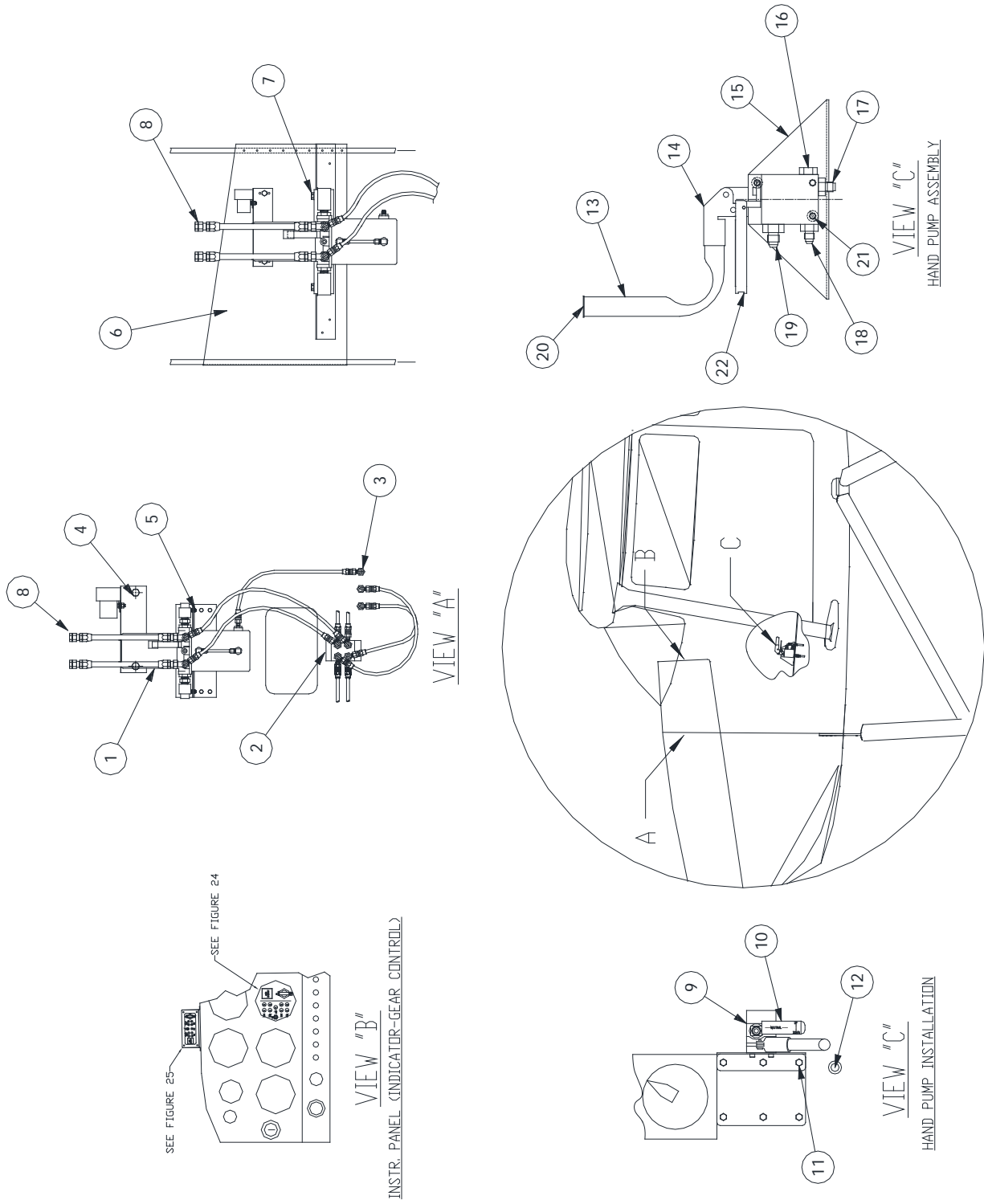
ASSEMBLY – RETRACT HANDLE
FIGURE 24

WIPLINE MODEL 3000 FLOAT PARTS MANUAL

ASSEMBLY – RETRACT HANDLE, FIGURE 24

| <u>REF NO.</u> | <u>NO. REQ.</u> | <u>PART DESCRIPTION</u> | <u>PART NO.</u> |
|----------------|-----------------|--------------------------------|-----------------|
| | 1 | ASS'Y – RETRACT HANDLE | 21A08000-128 |
| 1 | 1 | BRACKET SIDE L. | 3A08003-015 |
| | 1 | BRACKET SIDE R. | 3A08003-016 |
| 2 | 1 | HANDLE | 3A08414-001 |
| 3 | 1 | CABLE ASS'Y | 21A08000-137 |
| 4 | 1 | PULLEY | MS20219-2 |
| | 1 | BOLT – ATTACH | AN4-10A |
| | 2 | WASHER | NAS1149F0463P |
| | 2 | WASHER | NAS1149F0432P |
| | 1 | NUT | NAS679A4W |
| 5 | 2 | BOLT | AN3-10A |
| | 2 | BUSHING – PLASTIC | 3A08613-001 |
| | 4 | WASHER | NAS1149D0332P |
| | 2 | NUT | NAS679A3W |
| 6 | 2 | PIN PIVOT | 3A08702-006 |
| | 2 | WASHER | NAS1149F0332P |
| | 2 | NUT | NAS679A3W |
| 7 | 1 | SWIVEL | 4A08506-002 |
| 8 | 1 | PIN – COTTER | MS24665-285 |
| 9 | 1 | PLACARD – DOWN | 3A3-1115-2 |
| | 1 | PLACARD – UP | 3A3-1115-3 |
| | 1 | PLACARD – WATER RUDDER CONTROL | 3A3-1115-1 |

WIPLINE MODEL 3000 FLOAT PARTS LIST



INSTALLATION – HYDRAULIC SYSTEM
FIGURE 25

WIPLINE MODEL 3000 FLOAT PARTS MANUAL
 INSTALLATION – HYDRAULIC SYSTEM, FIGURE 25

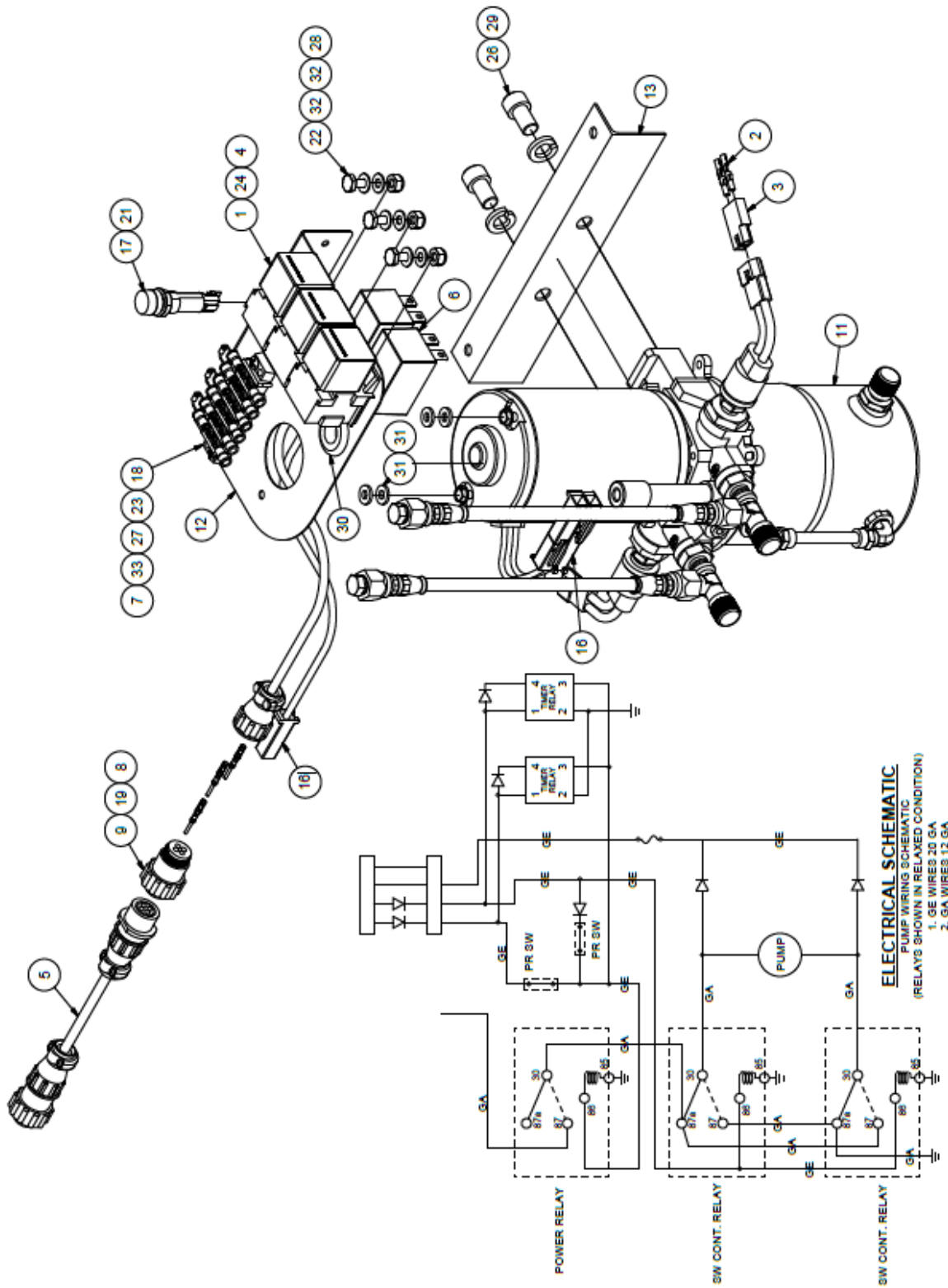
| <u>REF NO.</u> | <u>NO.</u> | <u>REQ.</u> | <u>PART DESCRIPTION</u> | <u>PART NO.</u> |
|----------------|------------|-------------|---|-----------------|
| 1 | 1 | | ASS'Y – HYDRAULIC PUMP - FIREWALL SEE FIGURE 25 (BREAK DOWN) | 21A09000-239 |
| 2 | 1 | | ASS'Y – MANIFOLD | 21A09000-240 |
| | 1 | | MANIFOLD | 6A09046-001 |
| | 4 | | NIPPLE – FITTING | AN816-4-4D |
| | 2 | | BOLT - ATTACH | AN3-5A |
| | 2 | | WASHER | NAS1149F0363P |
| | 2 | | NUT | MS21044N3 |
| | 4 | | NIPPLE – FITTING | AN816-4D |
| 3 | 3 | | UNION - FIREWALL | AN832-4D |
| | 3 | | WASHER | NAS1149F0763P |
| | 3 | | NUT | AN924-4D |
| 4 | 2 | | BOLT - TOP BRACKET ATTACH | AN3-3A |
| | 4 | | WASHER | NAS1149F0332J |
| | 2 | | NUT | MS21044N3 |
| 5 | 1 | | ANGLE – LOWER PUMP ATTACH | 21A09348-020 |
| | 4 | | BOLT | AN3-4A |
| | 8 | | WASHER | NAS1149F0363J |
| | 4 | | NUT | MS21044N3 |
| 6 | 1 | | ASS'Y – HYDRAULIC PUMP - FUSELAGE SEE FIGURE 25 (BREAK DOWN) | 30A09000-284 |
| 7 | 2 | | BOLT | AN4-4A |
| | 2 | | WASHER | AN960-4L |
| 8 | 2 | | HOES, ACCUMULATOR | 8A09000-048 |
| | 2 | | PLUG | AN806-4D |
| 9 | 1 | | ASS'Y – HAND PUMP | 21A09000-194 |
| 10 | 1 | | ASS'Y – PLACARD | 12A3-7379-1 |

WIPLINE MODEL 3000 FLOAT PARTS MANUAL
 INSTALLATION – HYDRAULIC SYSTEM, FIGURE 25

| <u>REF NO.</u> | <u>NO.</u> | <u>REQ.</u> | <u>PART DESCRIPTION</u> | <u>PART NO.</u> |
|----------------|------------|-------------|--------------------------------|-----------------|
| 11 | 3 | | BOLT – ATTACH | AN3-4A |
| | 3 | | WASHER | AN970-3 |
| | 3 | | WASHER | NAS1149F0363P |
| | 3 | | NUT | MS21044N3 |
| 12 | 1 | | GROMMET | MS35489-49 |
| 13 | 1 | | HANDLE | 21A09396-001 |
| 14 | 1 | | HAND PUMP (ONLY) | 642873 |
| 15 | 1 | | BRACKET – PUMP ATTACH | 21A09156-129 |
| 16 | 1 | | PLUG | AN814-4D |
| | 1 | | “O” RING | MS28775-012 |
| 17 | 1 | | UNION | 21A09746-001 |
| | 1 | | “O” RING | MS28775-012 |
| 18 | 1 | | UNION | AN815-4D |
| | 1 | | “O” RING | MS28775-012 |
| 19 | 1 | | UNION | AN919-6D |
| | 1 | | “O” RING | MS28775-014 |
| 20 | 1 | | CAP PLUG | 9283K13 |
| 21 | 2 | | CAP SCREW – ATTACH | MS16997-77 |
| | 2 | | WASHER | NAS1149F0563P |
| 22 | 1 | | ASS’Y - HANDLE | 21A12000-052 |
| 23 | 2 | | ASS’Y – BRAKE LINE (NOT SHOWN) | 21A04000-080 |
| | 2 | | FITTING | 63-190600-3 |

THIS PAGE INTENTIONALLY LEFT BLANK

WIPLINE MODEL 3000 FLOAT PARTS MANUAL



ASSEMBLY – HYDRAULIC PUMP
 FIGURE 26

WIPLINE MODEL 3000 FLOAT PARTS MANUAL

ASSEMBLY – HYDRAULIC PUMP, FIGURE 26

| <u>REF NO.</u> | <u>NO.</u> | <u>REQ.</u> | <u>PART DESCRIPTION</u> | <u>PART NO.</u> |
|----------------|------------|-------------|-------------------------------|-----------------|
| 1 | 3 | | RELAY, 12V, 5 PRONG | 0-332-209-137 |
| | 3 | | RELAY, 24V, 5 PRONG | 0-332-209-211 |
| 2 | 4 | | PIN, CRIMP FEMALE, 1/8" DIA | 02-09-1104 |
| 3 | 2 | | CONNECTOR PLUG, MALE, 2 CONN. | 03-09-1022 |
| 4 | 14 | | TERMINAL | 1-901-355-917 |
| 5 | 1 | | CABLE, DIODE ADAPTOR | 1004949 |
| 6 | 1 | | TIMER RELAY HARNESS 12V | 1005042 |
| | 1 | | TIMER RELAY HARNESS 24V | 1005043 |
| 7 | 3 | | DIODE, 2-1/2" | 1N4004 |
| 8 | 2 | | CLAMP, CABLE, CPC SIZE 11 | 206062-3 |
| 9 | 1 | | PLUG, MALE, CPC SIZE 1, 4 PIN | 206429-1 |
| 10 | 1 | | CPC FREE HANG, 4 PIN, FEMALE | 206430-2 |
| 11 | 1 | | ASSEMBLY, HYDRAULIC PUMP, 12V | 21A09000-215 |
| | 1 | | ASSEMBLY, HYDRAULIC PUMP, 12V | 21A09000-82 |
| 12 | 1 | | SUPPORT, HYD. PUMP ATTCH | 21A09005-264 |
| 13 | 1 | | ANGLE, MOUNTING, HYD. PUMP | 21A09352-030 |
| 14 | 6 FT | | WIRE, 12 AWG, WHITE | 22759-16-12-9 |
| 15 | 10.1 FT | | WIRE, 20 AWG, WHITE | 22759-16-20-9 |
| 16 | 3 | | HOUSING CONNECTOR ASSEMBLY | 2601048-200 |

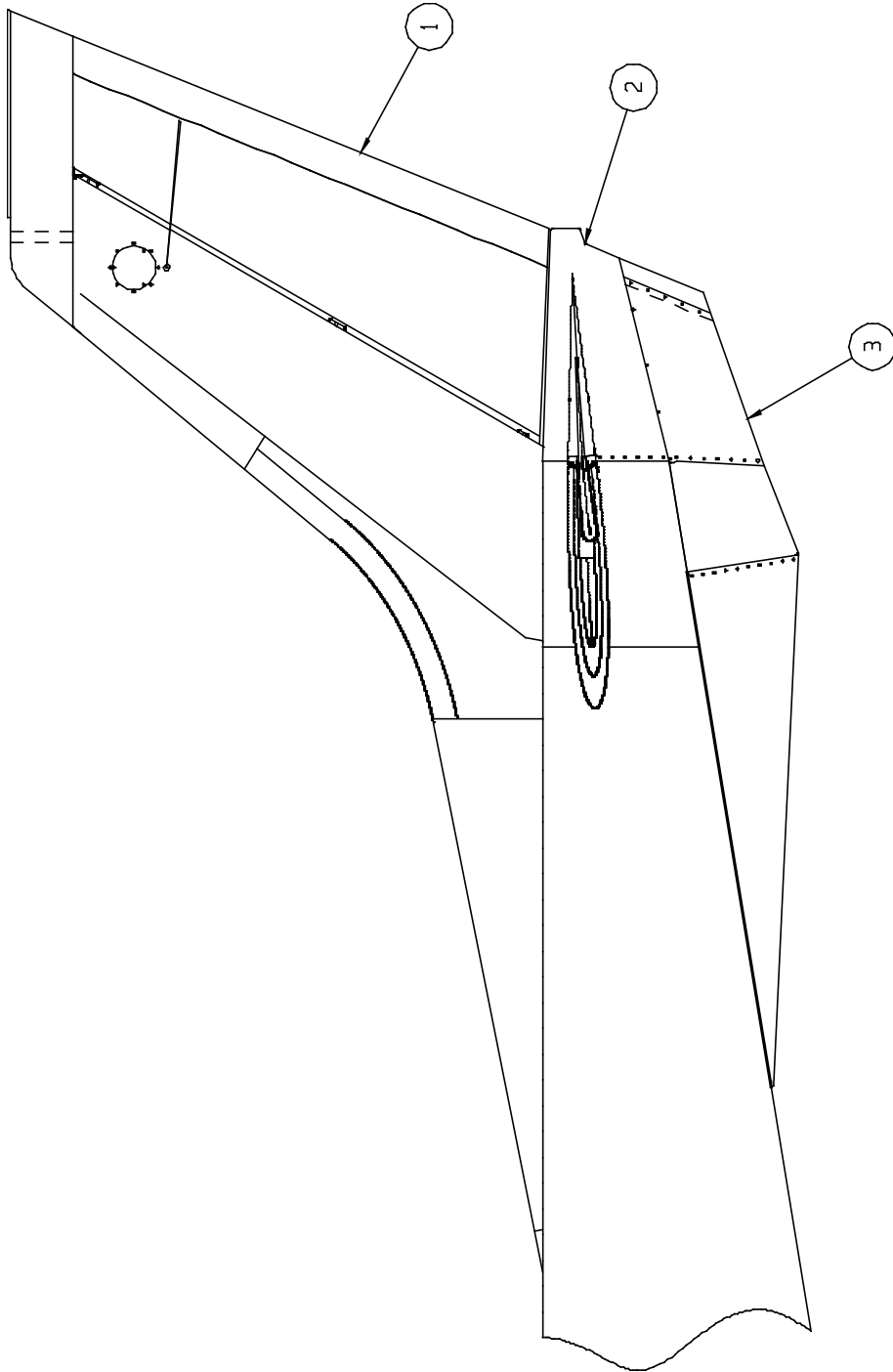
WIPLINE MODEL 3000 FLOAT PARTS MANUAL

ASSEMBLY – HYDRAULIC PUMP, FIGURE 26

| <u>REF NO.</u> | <u>NO. REQ.</u> | <u>PART DESCRIPTION</u> | <u>PART NO.</u> |
|----------------|-----------------|-----------------------------|-----------------|
| 17 | 1 | FUSE HOLDER | 3453LF2A |
| 18 | 1 | TERMINAL BLOCK, 6 CONNECTOR | 6-140 |
| 19 | 3 | PIN, CRIMP SOCKET, 24-20G | 66103-4 |
| 20 | 3 | CRIMP SOCKET, FEMALE | 66105-4 |
| 21 | 1 | FUSE, 250V, (S2565-1) | AGC-1 |
| 22 | 3 | BOLT | AN3-3A |
| 23 | 2 | SCREW, MACHINE, TRUSS HEAD | AN526-632R8 |
| 24 | 3 | SOCKET, 5 PRONG, PLASTIC | BR05FW |
| 25 | 1.5 FT | HEAT SHRINK, TUBING, BLACK | HS105-3/16-0 |
| 26 | 2 | SOCKET HEAD CAP SXREW | MS16997-96 |
| 27 | 2 | NUT | MS21044N06 |
| 28 | 3 | NUT | MS21044N3 |
| 29 | 2 | WASHER, SPLIT | MS35338-46 |
| 30 | 1 | GROMMET, RUBBER | MS35489-14 |
| 31 | 4 | WASHER | NAS1149D0363J |
| 32 | 6 | WASHER | NAS1149F0332P |
| 33 | 12 | RING CONNECTOR | R-3 |

THIS PAGE INTENTIONALLY LEFT BLANK

WIPLINE MODEL 3000 FLOAT PARTS MANUAL

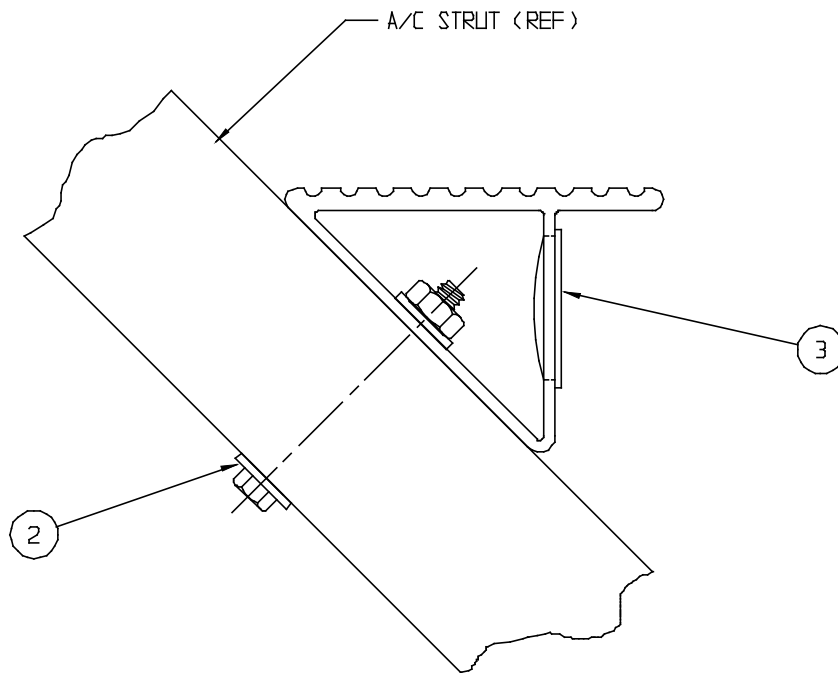
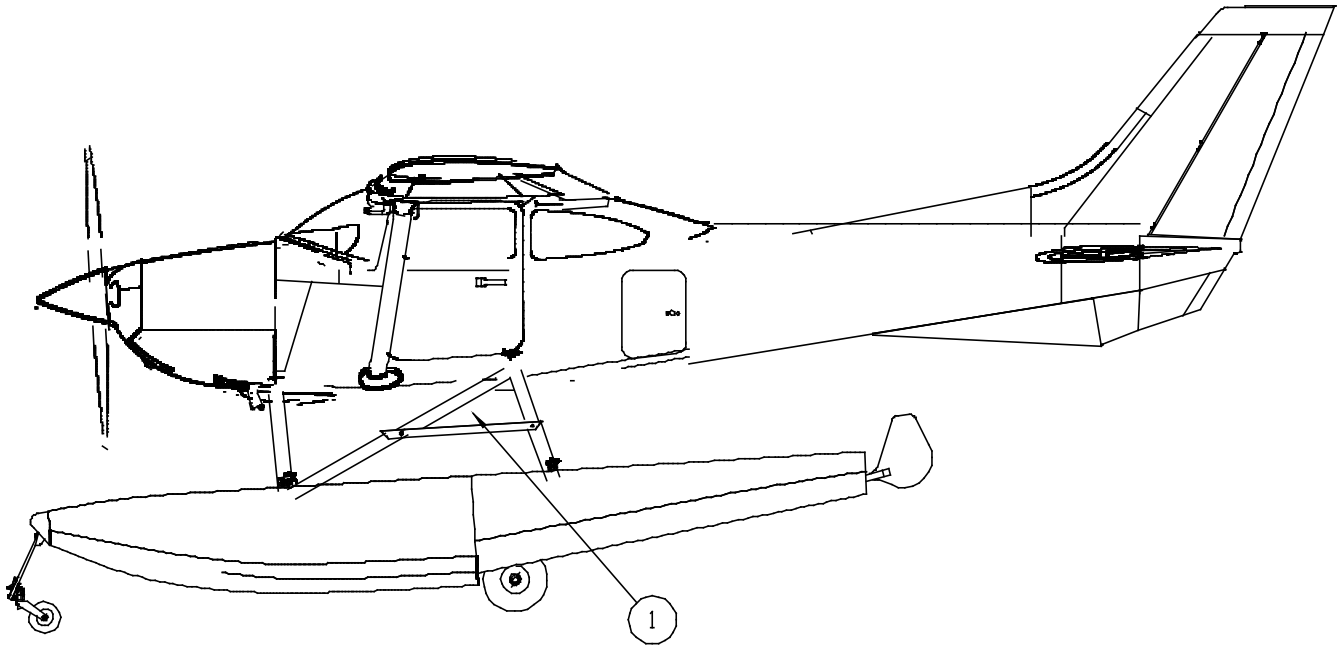


INSTALLATION RUDDER VENTRAL FIN
FIGURE 27

WIPLINE MODEL 3000 FLOAT PARTS MANUAL
 INSTALLATION RUDDER VENTRAL FIN, FIGURE 27

| <u>REF NO.</u> | <u>NO.</u> | <u>REQ.</u> | <u>PART DESCRIPTION</u> | <u>PART NO.</u> |
|----------------|------------|-------------|-------------------------|-----------------|
| 1 | 1 | | ASS'Y - RUDDER | 30A13000-008 |
| 2 | 1 | | TAIL STINGER | 30A16599-002 |
| 3 | 1 | | ASS'Y – VENTRAL FIN | 30A12000-044 |
| | 24 | | RIVNUT - ATTACH | MS27130A13 |
| | 24 | | WASHER – LOCK | MS35333-38 |
| | 24 | | WASHER | NAS1149FN832P |
| | 24 | | SCREW – ATTACH | AN526-832R8 |

WIPLINE MODEL 3000 FLOAT PARTS MANUAL



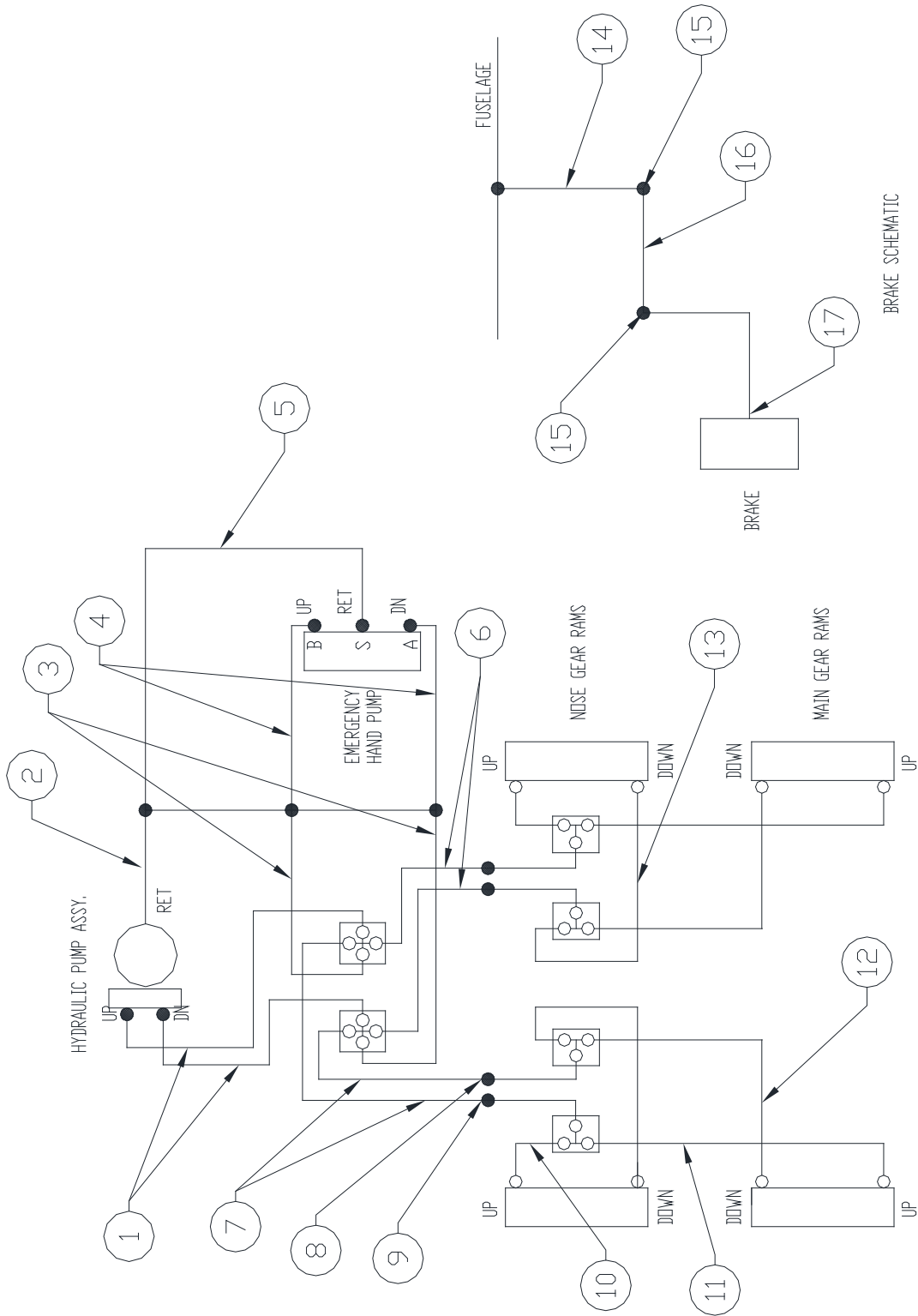
INSTALLATION STEPS
FIGURE 28

WIPLINE MODEL 3000 FLOAT PARTS MANUAL

INSTALLATION STEPS, FIGURE 28

| <u>REF NO.</u> | <u>NO. REQ.</u> | <u>PART DESCRIPTION</u> | <u>PART NO.</u> |
|----------------|-----------------|-------------------------|-----------------|
| 1 | 1 | STEP - L.H. | 21A02369-039 |
| | 1 | STEP - R.H. | 30A02369-045 |
| 2 | 4 | BOLT - ATTACH | AN3-20A |
| | A/R | WAHER | NAS1149F0332P |
| | 4 | NUT | MS21044N3 |
| 3 | A/R | HOLE PLUG 1 INCH | BPF |

WIPLINE MODEL 3000 FLOAT PARTS MANUAL

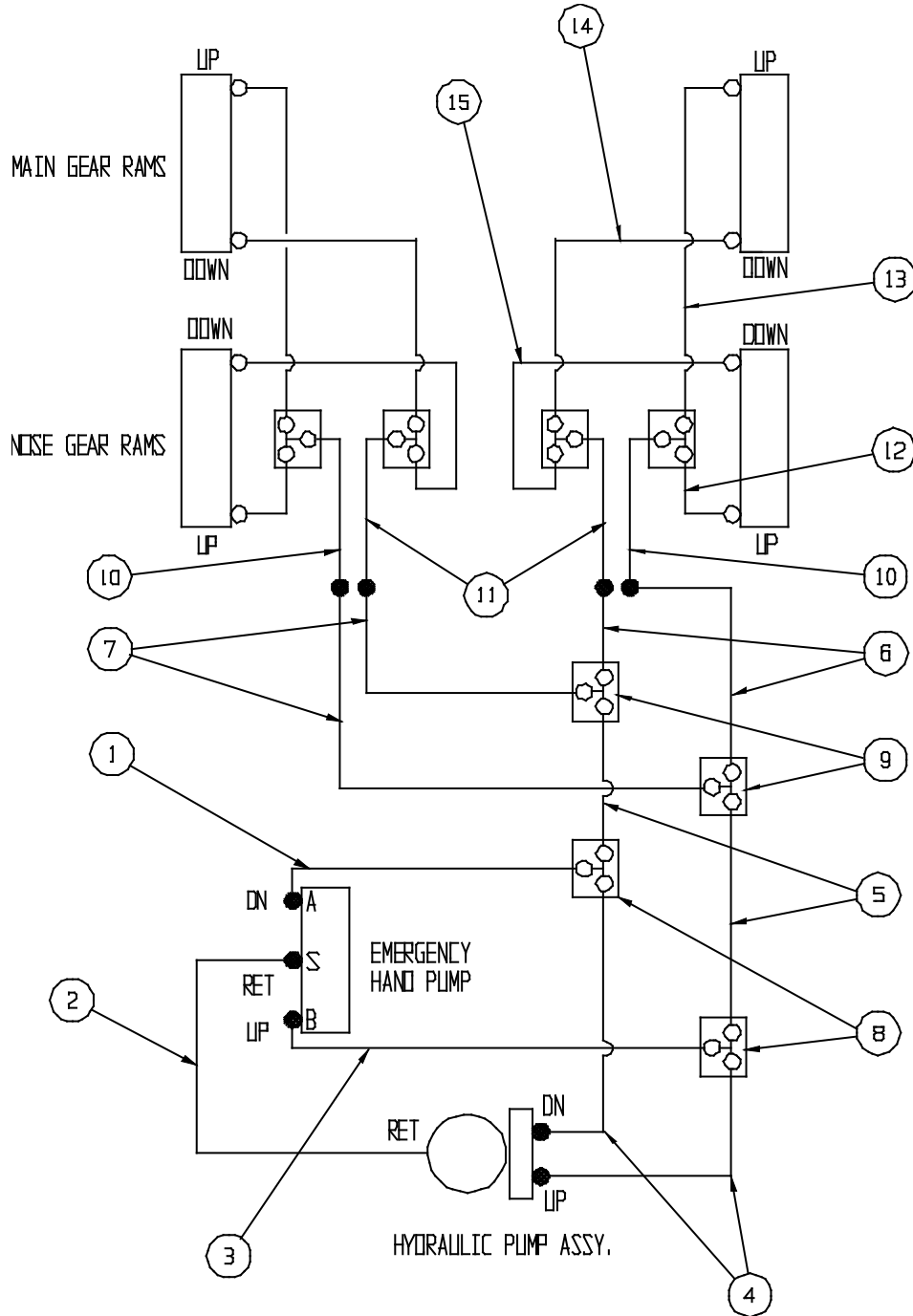


HYDRAULIC SCHEMATIC – FIREWALL PUMP
FIGURE 29

WIPLINE MODEL 3000 FLOAT PARTS MANUAL
 HYDRAULIC SCHEMATIC - FIREWALL PUMP, FIGURE 29

| <u>REF NO.</u> | <u>NO. REQ.</u> | <u>PART DESCRIPTION</u> | <u>PART NO.</u> |
|----------------|-----------------|-------------------------|-----------------|
| 1 | 2 | ASS'Y – HYDRAULIC HOSE | 21A09000-197 |
| 2 | 1 | ASS'Y – HYDRAULIC HOSE | 21A09000-201 |
| 3 | 2 | ASS'Y – HYDRAULIC HOSE | 21A09000-200 |
| 4 | 2 | ASS'Y – HYDRAULIC HOSE | 21A09000-202 |
| 5 | 1 | ASS'Y – HYDRAULIC HOSE | 21A09000-203 |
| 6 | 2 | ASS'Y – HYDRAULIC HOSE | 21A09000-198 |
| 7 | 2 | ASS'Y – HYDRAULIC HOSE | 21A09000-199 |
| 8 | 2 | ASS'Y – HYDRAULIC HOSE | 30A09000-273 |
| 9 | 2 | ASS'Y – HYDRAULIC HOSE | 30A09000-272 |
| 10 | 2 | ASS'Y – HYDRAULIC HOSE | 30A09000-268 |
| 11 | 2 | ASS'Y – HYDRAULIC HOSE | 30A09000-270 |
| 12 | 2 | ASS'Y – HYDRAULIC HOSE | 30A09000-271 |
| 13 | 2 | ASS'Y – HYDRAULIC HOSE | 30A09000-269 |
| 14 | 2 | ASS'Y – HYDRAULIC HOSE | 21A09000-080 |
| | 2 | FITTING – ENDS | 63-190600-3 |
| 15 | 2 | FITTING – ELBOW | AN833-3D |
| | 4 | WASHER | NAS1149D0663J |
| | 2 | NUT | AN924-3D |
| 16 | 2 | LINE ASS'Y – HARD | 21A04000-079 |
| 17 | 2 | LINE ASS'Y – FLEX | 21A04000-078 |

WIPLINE MODEL 3000 FLOATS PARTS MANUAL



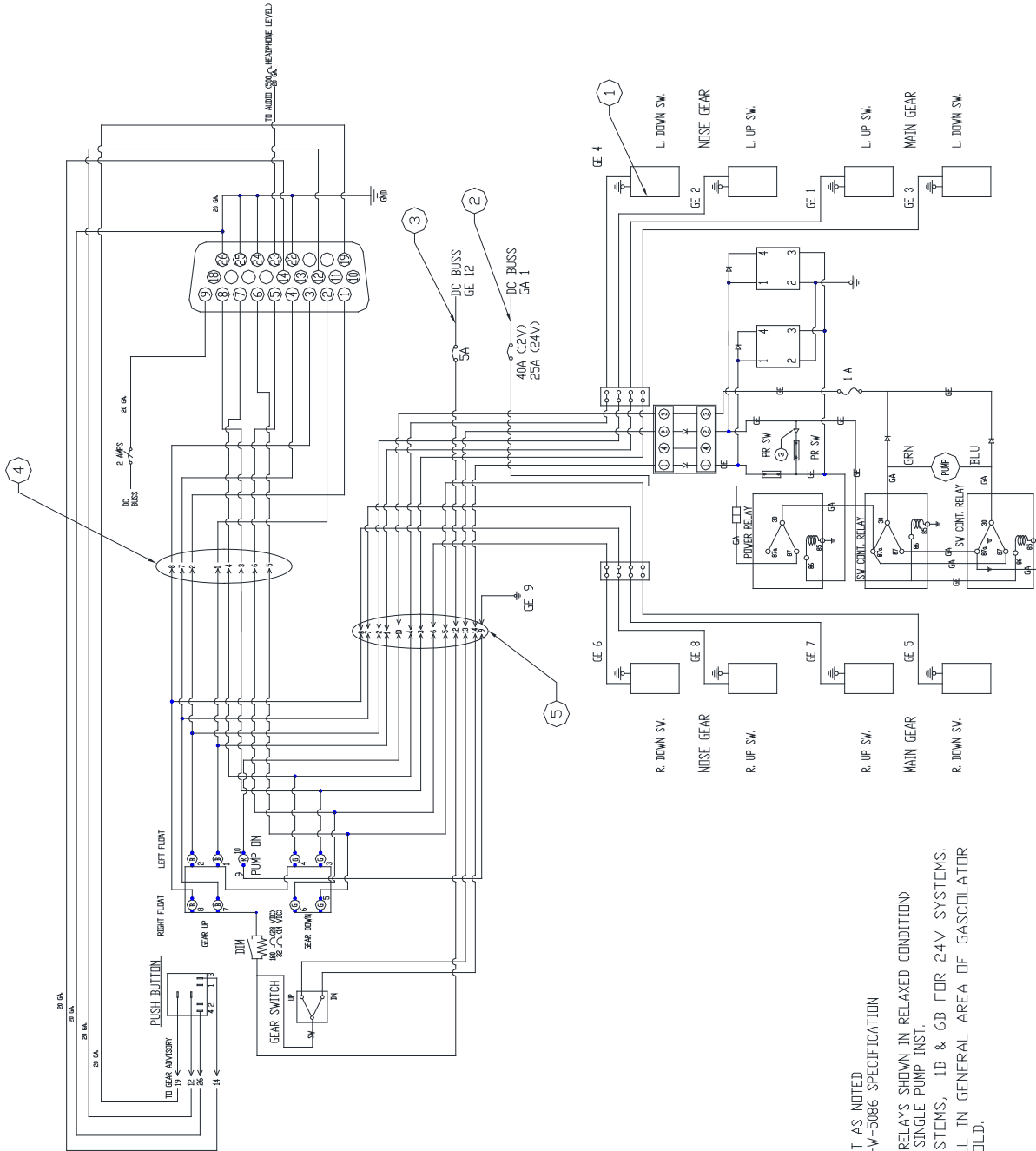
HYDRAULIC PUMP SCHEMATIC – PUMP AFT FUSELAGE
FIGURE 30

WIPLINE MODEL 3000 FLOAT PARTS MANUAL

HYDRAULIC PUMP SCHEMATIC – PUMP AFT FUSELAGE, FIGURE 30

| <u>REF NO.</u> | <u>NO. REQ.</u> | <u>PART DESCRIPTION</u> | <u>PART NO.</u> |
|----------------|-----------------|-------------------------|-----------------|
| 1 | 1 | ASS'Y – HYDRAULIC HOSE | 34A09000-249 |
| 2 | 1 | ASS'Y – HYDRAULIC HOSE | 34A09000-257 |
| 3 | 1 | ASS'Y – HYDRAULIC HOSE | 21A09000-219 |
| 4 | 2 | ASS'Y – HYDRAULIC HOSE | 34A09000-285 |
| 5 | 2 | ASS'Y – HYDRAULIC HOSE | 21A09000-218 |
| 6 | 2 | ASS'Y – HYDRAULIC HOSE | 34A09000-259 |
| 7 | 2 | ASS'Y – HYDRAULIC HOSE | 34A09000-260 |
| 8 | 2 | FITTING – “T” | AN824-4D |
| 9 | 2 | FITTING – “T” | AN804-4D |
| | 2 | NUT | AN924-4D |
| | 2 | WASHER | NAS1149F0763P |
| 10 | 2 | ASS'Y – HYDRAULIC HOSE | 30A09000-272 |
| 11 | 2 | ASS'Y – HYDRAULIC HOSE | 30A09000-273 |
| 12 | 2 | ASS'Y – HYDRAULIC HOSE | 30A09000-268 |
| 13 | 2 | ASS'Y – HYDRAULIC HOSE | 30A09000-270 |
| 14 | 2 | ASS'Y – HYDRAULIC HOSE | 30A09000-271 |
| 15 | 2 | ASS'Y – HYDRAULIC HOSE | 30A09000-269 |

WIPLINE MODEL 3000 FLOAT PARTS MANUAL



- NOTES:
1. GE WIRES ARE 20 GA.
 - GA WIRES ARE 12 GA.
 - ALL WIRES 22 GA. EXCEPT AS NOTED.
 - ALL WIRES TO MEET MIL-W-5086 SPECIFICATION
 2. ALL GROUND WIRES GE 9
 3. PUMP WIRING SCHEMATIC (RELAYS SHOWN IN RELAXED CONDITION)
 4. ONE GE 11 NOT USED FOR SINGLE PUMP INST.
 - △ 1A & 6A FOR 12V SYSTEMS, 1B & 6B FOR 24V SYSTEMS.
 - △ LOCATED ON FIREWALL IN GENERAL AREA OF GASCOLATOR OR HYDRAULIC MANIFOLD.

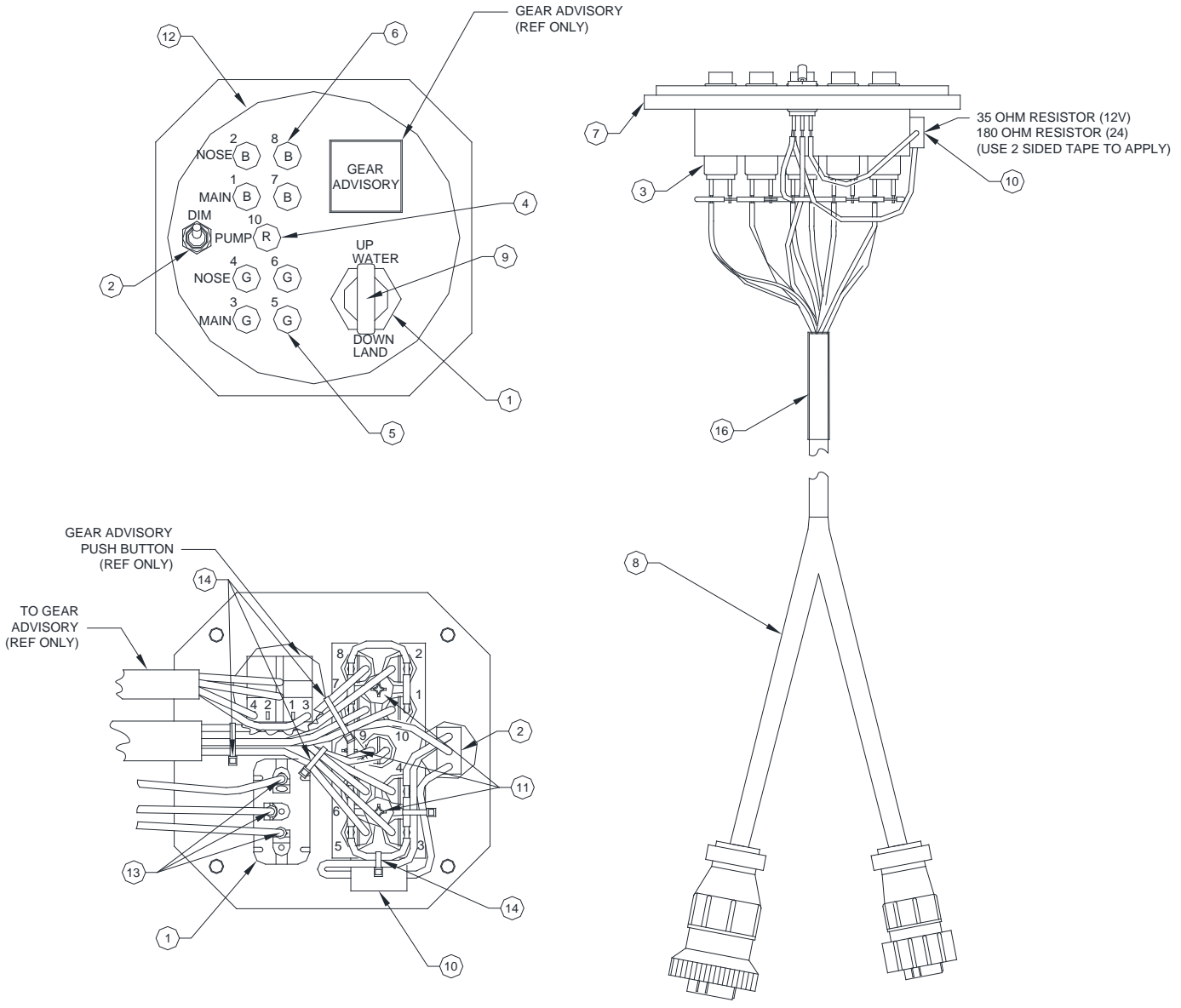
**ELECTRICAL SCHEMATIC
FIGURE 31**

WIPLINE MODEL 3000 FLOAT PARTS MANUAL

ELECTRICAL SCHEMATIC, FIGURE 31

| <u>REF NO.</u> | <u>NO. REQ.</u> | <u>PART DESCRIPTION</u> | <u>PART NO.</u> |
|----------------|-----------------|-------------------------------|-----------------|
| 1 | 8 | SWITCH – PROXIMITY - MAGNETIC | 5801 |
| | 8 | CLIP – SWITCH HOLDER | 21A09005-262 |
| 2 | 1 | CIRCUIT BREAKER 40 AMP | W23-X1A1G-40 |
| 3 | 1 | CIRCUIT BREAKER 25 AMP | W23-X1A1G-25 |
| 4 | 1 | WIRE HARNESS | 4A11000-014 |
| 5 | 1 | WIRE HARNESS | 4A11000-012 |

WIPLINE MODEL 3000 FLOAT PARTS MANUAL



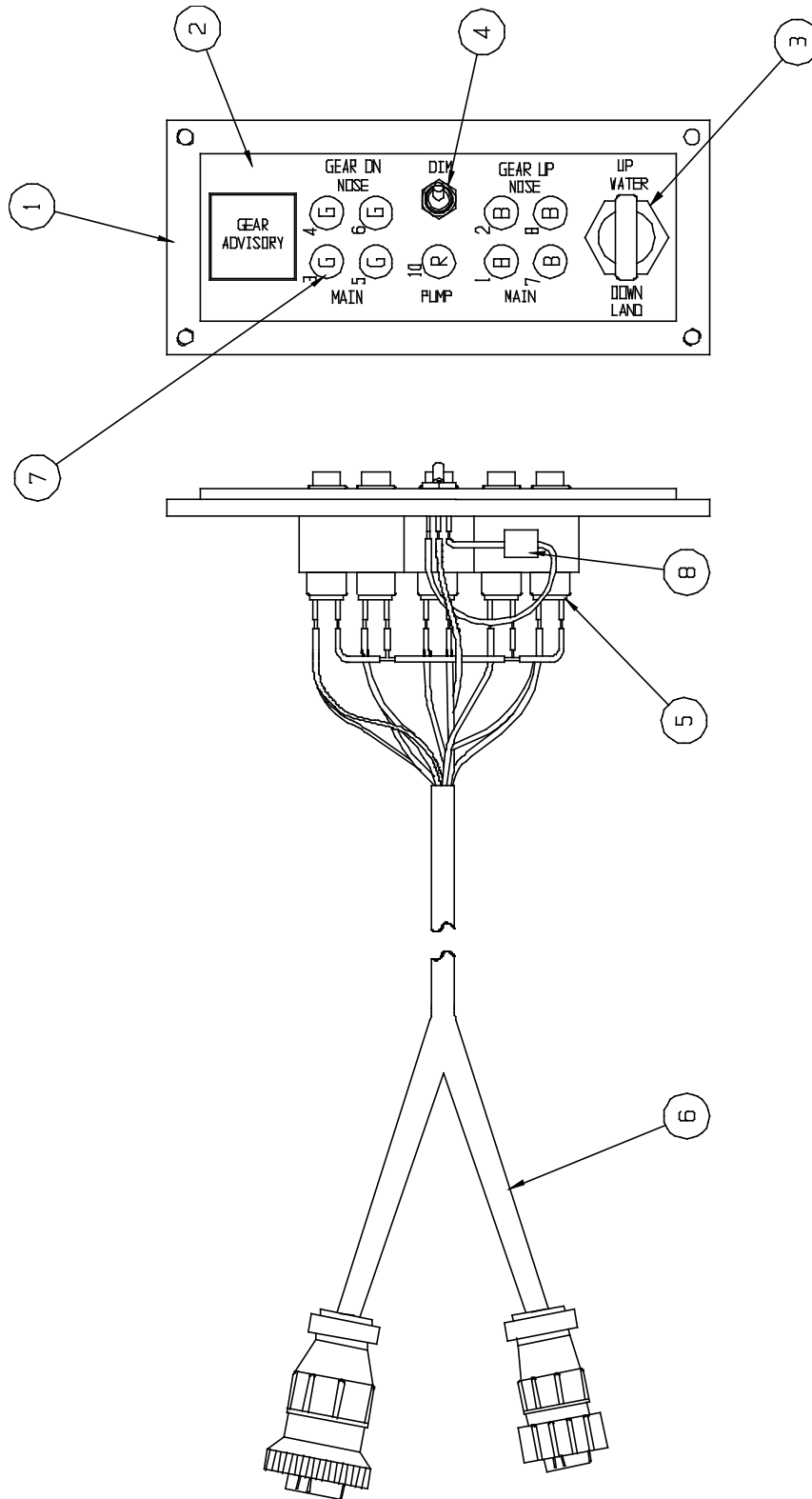
GEAR CONTROL (ROUND)
FIGURE 32

WIPLINE MODEL 3000 FLOAT PARTS MANUAL

GEAR CONTROL (ROUND), FIGURE 32

| <u>REF NO.</u> | <u>NO.</u> | <u>REQ.</u> | <u>PART DESCRIPTION</u> | <u>PART NO.</u> |
|----------------|------------|-------------|----------------------------------|-------------------|
| | 1 | | GEAR SELECTOR ASSY. ROUND (12V) | 21A11000-009 |
| | 1 | | GEAR SELECTOR ASSY. ROUND (24V) | 21A11000-019 |
| 1 | 1 | | SWITCH | 8857K44 |
| 2 | 1 | | TOGGLE SWITCH, SPDT, ON-ON | A101SYCB |
| 3 | 9 | | SOCKET | 515-0012 |
| 4 | 1 | | INDICATOR LAMP, 14V, RED | 507-3914-1431-600 |
| | 1 | | INDICATOR LAMP, 28V, RED | 507-3918-1431-600 |
| 5 | 4 | | INDICATOR LAMP, 14V, GREEN | 507-3914-1432-600 |
| | 4 | | INDICATOR LAMP, 28V, GREEN | 507-3918-1432-600 |
| 6 | 4 | | INDICATOR LAMP, 14V, BLUE | 507-3914-1434-600 |
| | 4 | | INDICATOR LAMP, 28V, BLUE | 507-3918-1434-600 |
| 7 | 1 | | BLOCK, GEAR CONTROL | 21A11179-001 |
| 8 | 1 | | HARNESS ASSEMBLY, GEAR SELECTOR | 4A11000-008 |
| 9 | 1 | | GEAR SWITCH KNOB | 21A11259-003 |
| 10 | 1 | | RESISTOR, 14V, DALE RH5 5W | RH-5-35 |
| | 1 | | RESISTOR, 28V, DALE RH5 5W | RH-5-180 |
| 11 | 3 | | SCREW, TRUSS HEAD, 6-32 | AN526-632R8 |
| 12 | 1 | | PLACARD, ROUND2100 GEAR SELECTOR | 10B3-6202 |
| 13 | 3 | | RING CONNECTOR, #6, 20 AWG, RED | R-3 |
| 14 | 5 | | CABLE TIE | PLT1M-M |
| 15 | 16" | | SHRINK WRAP, 3/16, WHITE | HIXR-3/16 |
| 16 | 3" | | HEAT SHRINK TUBING | HS105-1/2-0 |
| 17 | 6" | | WIRE, 20AWG, WHITE | 22759-16-20-9 |

WIPLINE MODEL 3000 FLOAT PARTS MANUAL



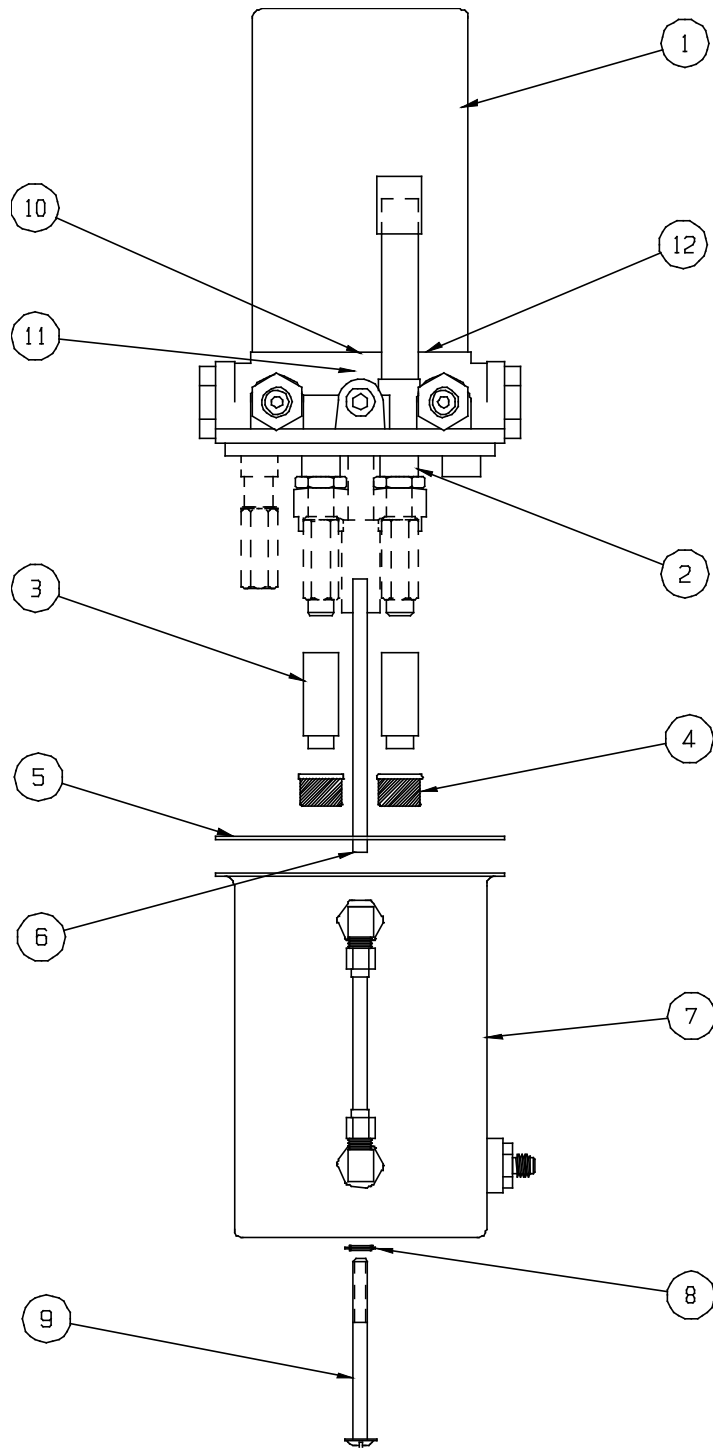
GEAR CONTROL (RECTANGLE)
FIGURE 33

WIPLINE MODEL 3000 FLOAT PARTS MANUAL

GEAR CONTROL (RECTANGLE), FIGURE 33

| <u>REF NO.</u> | <u>NO.</u> | <u>REQ.</u> | <u>PART DESCRIPTION</u> | <u>PART NO.</u> |
|----------------|------------|-------------|----------------------------------|-------------------|
| | 1 | | GEAR SELECTOR ASSY. ROUND (12V) | 21A11000-009 |
| | 1 | | GEAR SELECTOR ASSY. ROUND (24V) | 21A11000-019 |
| 1 | 1 | | SWITCH | 8857K44 |
| 2 | 1 | | TOGGLE SWITCH, SPDT, ON-ON | A101SYCB |
| 3 | 9 | | SOCKET | 515-0012 |
| 4 | 1 | | INDICATOR LAMP, 14V, RED | 507-3914-1431-600 |
| | 1 | | INDICATOR LAMP, 28V, RED | 507-3918-1431-600 |
| 5 | 4 | | INDICATOR LAMP, 14V, GREEN | 507-3914-1432-600 |
| | 4 | | INDICATOR LAMP, 28V, GREEN | 507-3918-1432-600 |
| 6 | 4 | | INDICATOR LAMP, 14V, BLUE | 507-3914-1434-600 |
| | 4 | | INDICATOR LAMP, 28V, BLUE | 507-3918-1434-600 |
| 7 | 1 | | BLOCK, GEAR CONTROL | 21A11179-001 |
| 8 | 1 | | HARNESS ASSEMBLY, GEAR SELECTOR | 4A11000-008 |
| 9 | 1 | | GEAR SWITCH KNOB | 21A11259-003 |
| 10 | 1 | | RESISTOR, 14V, DALE RH5 5W | RH-5-35 |
| | 1 | | RESISTOR, 28V, DALE RH5 5W | RH-5-180 |
| 11 | 3 | | SCREW, TRUSS HEAD, 6-32 | AN526-632R8 |
| 12 | 1 | | PLACARD, ROUND2100 GEAR SELECTOR | 10B3-6202 |
| 13 | 3 | | RING CONNECTOR, #6, 20 AWG, RED | R-3 |
| 14 | 3 | | CABLE TIE | PLT1M-M |
| 15 | 16" | | SHRINK WRAP, 3/16, WHITE | HIXR-3/16 |
| 16 | 3" | | HEAT SHRINK TUBING | HS105-1/2-0 |
| 17 | 6" | | WIRE, 20AWG, WHITE | 22759-16-20-9 |

WIPLINE MODEL 3000 FLOAT PARTS MANUAL



HYDRAULIC PUMP
FIGURE 34

WIPLINE MODEL 3000 FLOAT PARTS MANUAL

HYDRAULIC PUMP, FIGURE 34

| <u>REF NO.</u> | <u>NO. REQ.</u> | <u>PART DESCRIPTION</u> | <u>PART NO.</u> |
|----------------|-----------------|----------------------------|-----------------|
| 1 | 1 | HYDRAULIC PUMP ASS'Y (12V) | 21A09000-215 |
| | | HYDRAULIC PUMP ASS'Y (24V) | 21A09000-282 |
| | | MOTOR (12V) | 640661 |
| | | MOTOR (24V) | 641131 |
| 2 | 1 | BASIC PUMP | 634873 |
| 3 | 2 | TUBE EXTENSIONS | 362136 |
| 4 | 2 | FILTER | 410521 |
| 5 | 1 | SEAL RESERVIOR | 410578 |
| 6 | 1 | RETURN TUBE | 365047 |
| 7 | 1 | RESERVIOR – GAUGE ASS'Y | 775260 |
| 8 | 1 | SEAL THREAD | 415067 |
| 9 | 1 | SCREW – RESERVIOR ATTACH | 409715 |
| 10 | 1 | COUPLING – MOTOR TO PUMP | 361183 |
| 11 | 1 | SEAL – PUMP SHAFT | 410512 |
| 12 | 1 | “O” RING MOTOR TO BASE | 405673 |