

DATE: June 1, 2000

SERVICE KIT: #28

SUBJECT: Conversion Kit for Replacement of McCauley Nose Wheels used on Wipline Floats

MODEL: Wipline Model 13000 Floats

<u>Item</u>	<u>Quantity</u>	<u>Part No.</u>	<u>Description</u>
1.	2	40-426	Nose Wheel Assembly (6.00-6)

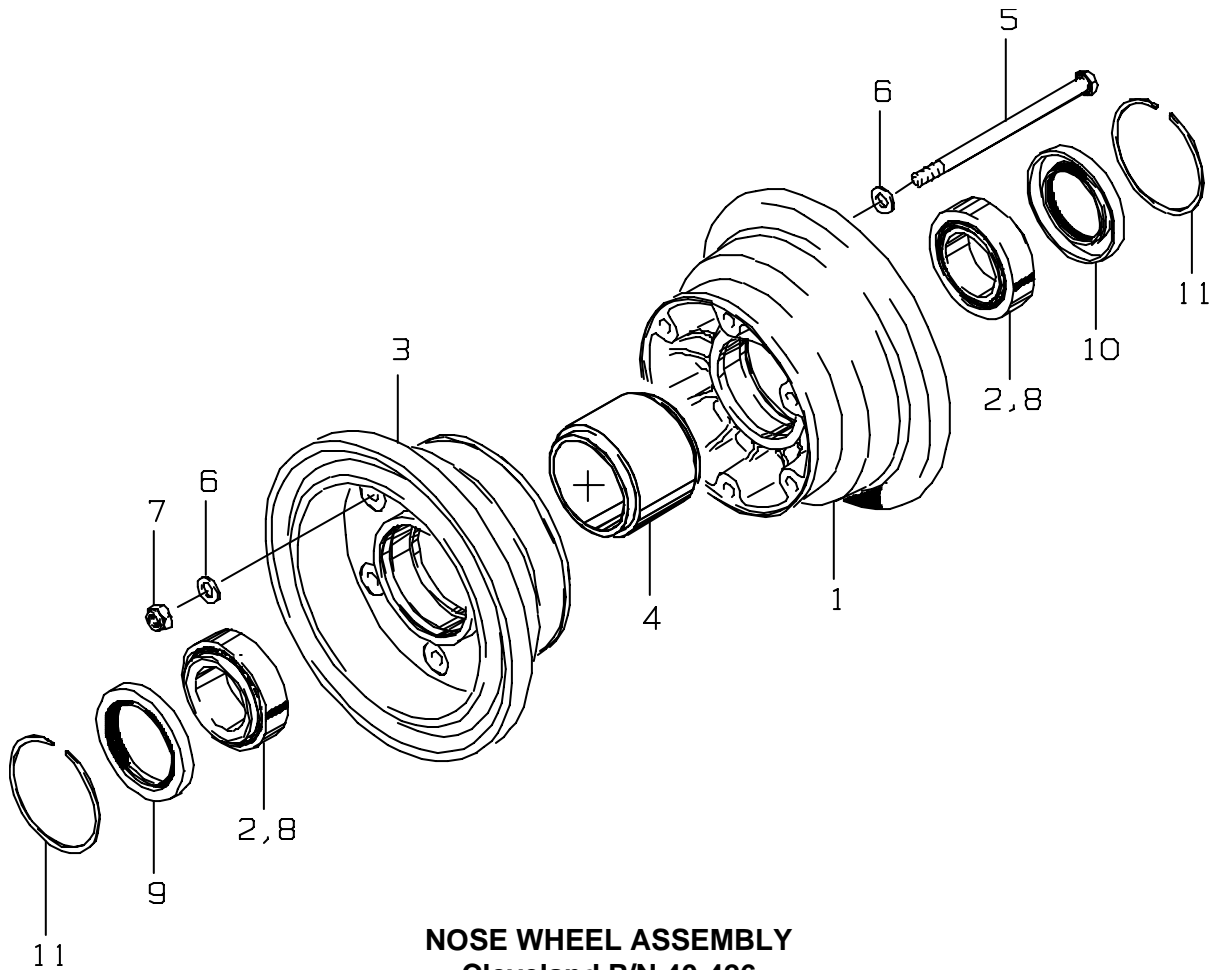
Note: This service kit will convert 1 aircraft (2 floats) from existing McCauley nose wheel to Parker sand cast aluminum nose wheels.

INSTALLATION INSTRUCTIONS:

1. Refer to your applicable Wipaire Service Manual for jacking procedures and nose wheel removal and installation instructions.
2. Existing tires and tubes may be used on new wheels provided they are serviceable.
3. Refer to Parker Hannifin Component Maintenance Manual Number AWBCMMOOO1-3/USA for proper wheel and brake repair and service instructions. Contact Parker Hannifin Technical Service Hotline @ 1-800-272-5464 to procure this manual.
4. Refer to pages 2 for illustrated parts breakdown of above wheel and brake assembly and fastener torque values.
5. Upon completion of installation, make appropriate entries to aircraft maintenance logs denoting installation of kit.

WEIGHT AND BALANCE:

The shipset weight for 2 McCauley Nose Wheels is 11.48 lbs. The weight of 2 p/n 40-426 nose wheel assemblies is 13.9 lbs. Therefore there is a 2.42 lb. weight increase utilizing the p/n #28 service kit.



ITEM	PART NUMBER	DESCRIPTION	QTY PER ASS'Y
* 1	161-19900	Subassembly, Wheel Half, Inner	1
2	214-01100	Cup Bearing	1
* 3	162-19900	Subassembly, Wheel Half, Outer	1
2	214-01100	Cup- Bearing	1
4	067-14700	Spacer, Grease Dam	1
5	103-20400	Bolt (AN5-35A)	6
6	095-10500	Washer (AN960-516)	12
7	094-10400	Nut (MS21044-N5)	6
8	214-01200	Cone, Bearing	2
9	154-08300	Seal, Grease	1
10	154-08200	Seal, Grease	1
11	155-14300	Ring, Snap	2
- 12	166-20000	Nameplate "Warning"	1
- 13	166-19700	Nameplate	1

- Item not illustrated.

* Subassembly includes wheel half with bearing cup installed.

** Dry torque fasteners to 150in-lbs. during tire installation.

Grease bearings with BG products #605 HCF grease.