

DATE: September 20, 2000

SERVICE KIT: #29

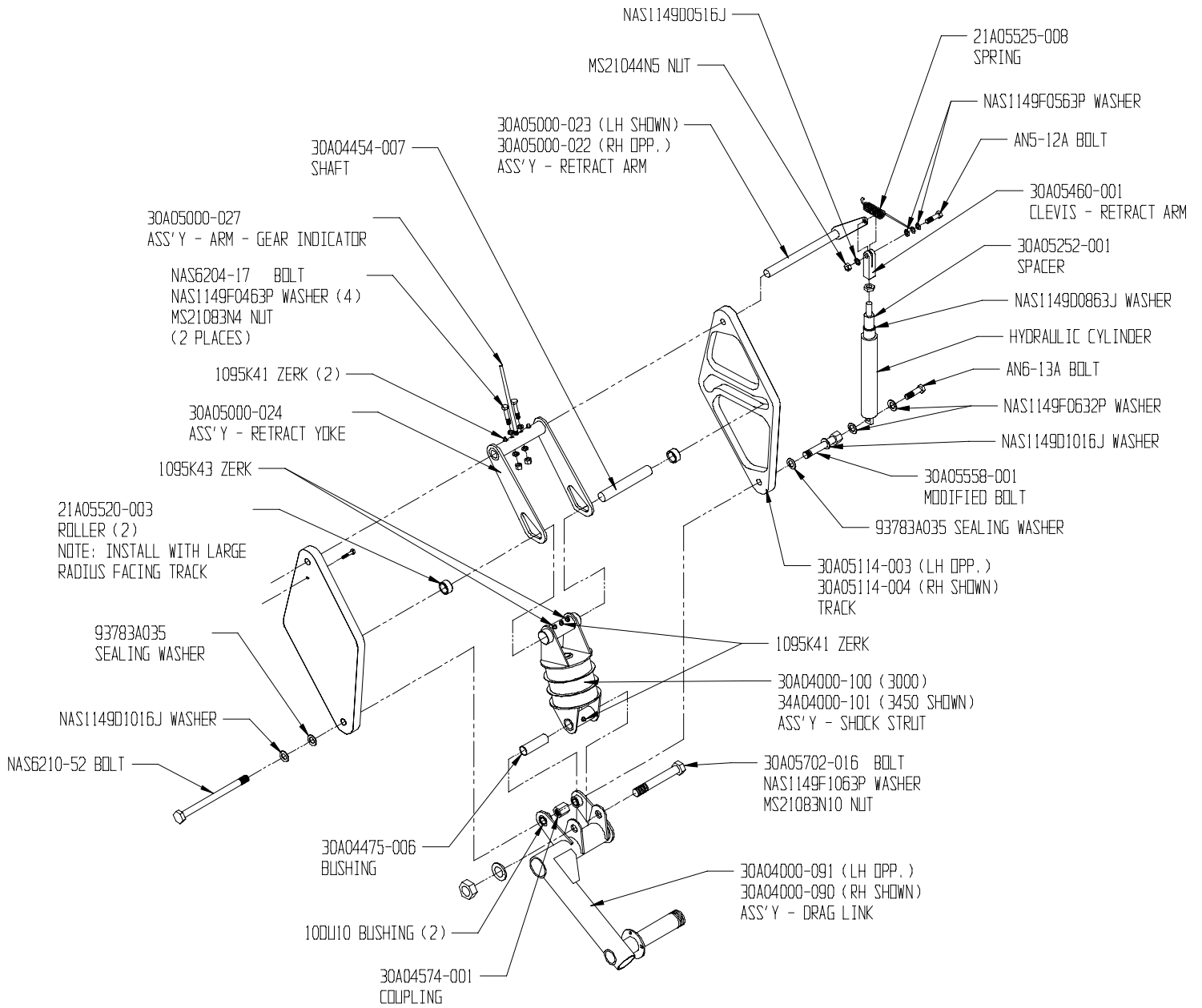
SUBJECT: Modification – Landing Gear

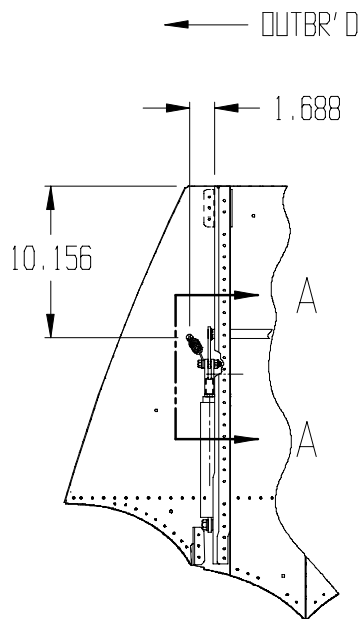
MODEL: 3000 and 3450 Floats

<u>Item</u>	<u>Quantity</u>	<u>Part No.</u>	<u>Description</u>
1.	2	30A05702-016 (12A3-7390)	Bolt-Drag Link
2.	2	MS21083N10	Shear Nut
3.	2	NAS1149F1063P	Washer
4.	2	30A04000-100 (12C2-7133-1)	Ass'y- Shock Strut (3000 Float)
5.	2	34A04000-101 (12C2-7133-2)	Ass'y- Shock Strut (3450 Float)
6.	2	30A05000-024 (12C2-7139)	Ass'y-Yoke Retract
7.	2	30A04454-007 (12B3-7043)	Shaft-Axle
8.	1	30A05000-022 (12B3-7136-2)	Ass'y-Arm RH
9.	1	30A05000-023 (12B3-7136-1)	Ass'y-Arm LH
10.	4	NAS6204-17	Bolt
11.	8	NAS1149F0463P	Washer
12.	4	MS21083N4	Nut
13.	4	21A05520-003 (10A3-6106)	Roller
14.	4	1095K43	Zerk
15.	8	1095K41 (4 on Assemblies)	Zerk
16.	2	21A05525-008 (10A3-6149)	Spring
17.	2	AN5-12A	Bolt
18.	2	MS21044N5	Nut
19.	4	NAS1149F0563P	Washer
20.	2	NAS1149D0563J	Washer
21.	2	AN42-4A	Eyebolt
22.	2	AN970-3	Washer
23.	2	MS21044N3	Nut
24.	2	NAS1149D0363J	Washer
25.	2	30A05460-001 (12A3-7249) (Revised)	Clevis – Retract Arm
26.	2	30A05252-001 (12A3-7396)	Spacer – Hyd. Cylinder
27.	2	NAS1149D0863J	Washer
28.	4	93783A035	Washer - Sealing
29.	4	34A07509-008 (12A3-7398)	Axle – Trolley Nose Gear
30.	1	No. 45, or 46	Service Letter

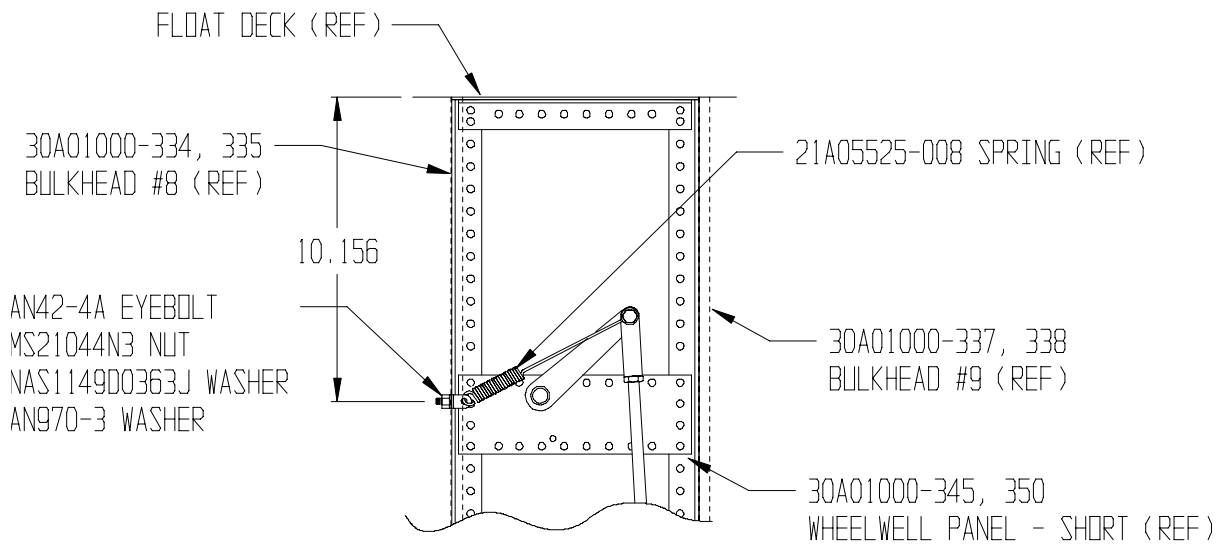
Instructions:

1. Reference sheet 2 for Main Gear Assembly
2. Reference sheet 3 for Spring Instl.
3. Reference sheet 4 for Nose Gear.(Item 29)
4. Service Manual





L.H. SIDE FLOAT LOOKING FWD



VIEW A-A
L.H. SIDE VIEW

34A07509-008
AXLE - TROLLEY (4)

