

DATE: August 15, 2002

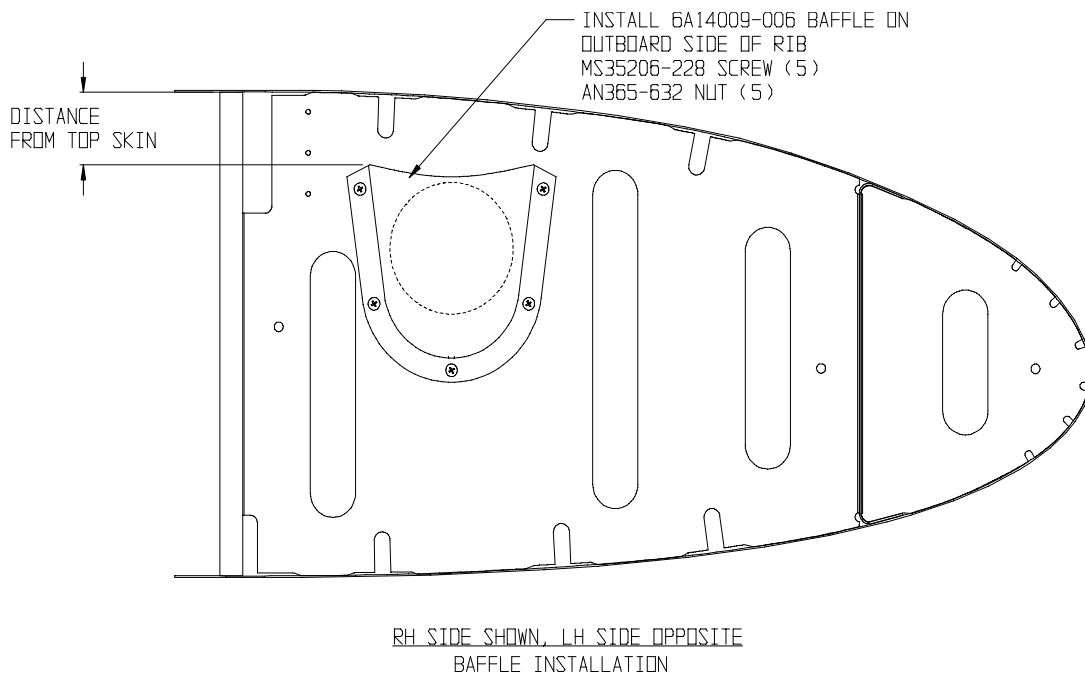
REVISED: Nov. 28, 2006

SERVICE KIT: #36

SUBJECT: Installation wing fuel check valve.

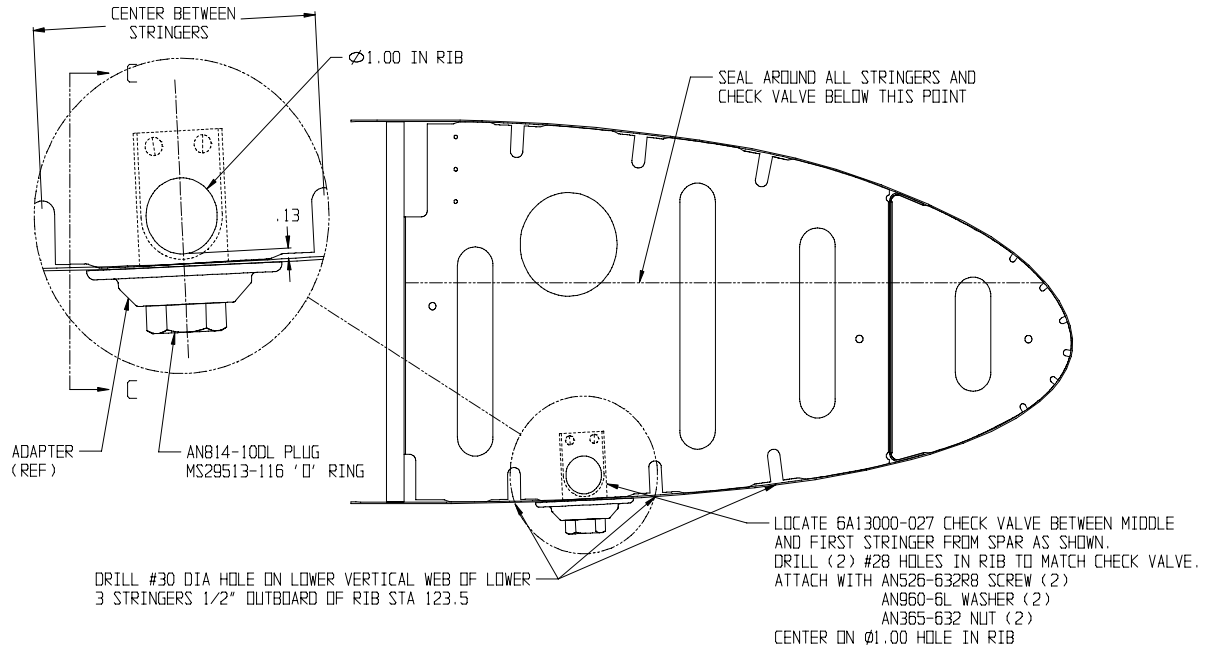
MODEL: DHC-2, MKIII, Wipaire STC SA001186CH, 6100 LB GW Conv.

<u>Item</u>	<u>Quantity</u>	<u>Part No.</u>	<u>Description</u>
1.	2	6A14009-006	Baffle
2.	2	6A13000-027	Ass'y - check valve
3.	2	6A12264-004	Adapter
4.	2	AN814-10DL	Plug
5.	2	MS29513-116	'O' Ring
6.	4	AN526-632R8	Screw
7.	4	AN960-6L	Washer
8.	4	AN365-632	Nut
9.	10	MS35206-228	Screw
10.	10	AN365-632	Nut



### INSTALLATION – BAFFLE

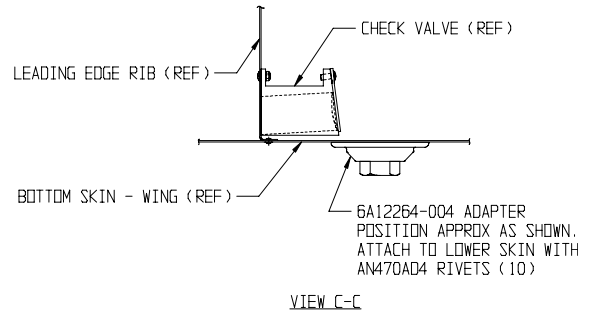
# SERVICE KIT: #36



DISTANCE FROM TOP SKIN	STA. NBR
NO BAFFLE	29.0
1.5	42.5
2.0	56.0
2.5	69.5
3.0	83.0
3.5	96.0
NO BAFFLE	110.0
NO BAFFLE	123.5
1.5	137.0
1.5	150.5
1.5	164.0
1.5	177.5
NO BAFFLE	191.0
NO BAFFLE	204.0

← CHECK VALVE INSTALLED

RH SIDE SHOWN, LH SIDE OPPOSITE



## INSTALLATION – FUEL CHECK VALVE