



WIPLINE FLOATS • SKIS • MODIFICATIONS • AIRCRAFT SALES
AVIONICS • INTERIOR • MAINTENANCE • PAINT REFINISHING

SERVICE LETTER 172 8750A BULKHEAD 9 CRACKING

By: RCG	Aircraft Makes/Model(s): Cessna 208 Cessna 208B Quest Kodiak 100	Float Model(s): 8750A 7000A	Note(s): Mandatory Compliance Service Letter P/N 1008990
Approved: JRS			
Date: 11/30/2017			
Revision: C			

LOG OF REVISIONS

Revision	Description	Date
A	Initial release	10/27/2016
B	<ul style="list-style-type: none">Added (4) 1006513 nylon nutplates to kit instead of reusing removed onesChanged kit to be per set of floats instead of per float	6/21/2017
C	Changed 1003690 stiffeners to be installed using hardware instead of rivets, added 7000 model float	11/30/2017

FAA approval has been obtained for technical data in this publication that affects STC or TSO design compliance

EFFECTIVITY:

This service letter applies to: Cessna 208 and Cessna 208B with Wipline 8750 Amphibious Floats SN 87174 and prior installed per STC SA1311GL

COMPLIANCE:

Mandatory compliance

BACKGROUND:

Cracking has been found on the 1006080 Bulkhead 9 Main Panel. The 1003690 Vertical Stiffeners have been revised to include a flange that will be riveted to the Horizontal Stiffeners for additional support

COMPLIANCE METHOD:

Inspect bulkhead 9 and install the parts included in this service letter in accordance with the Work Instruction section of this service letter. If cracks are found on the 1006080 Bulkhead Main Panel, contact Wipaire Customer Service to receive additional instruction for repair. If revision B or previous has been complied with, no additional work is required

APPROXIMATE SHOP HOURS:

Replacing the 1003690 Vertical Stiffeners will take approximately 3 hours per float

WARRANTY INFORMATION:

Labor not included for this modification. Hardware provided with service kit

TECHNICAL DATA:

Copies of this service letter, associated service kit, float service manual, and float parts manual are available at www.wipaire.com

See photos and figures below for details to aid in performing this modification

See Table 1 below for a list of parts included in the service kit

1700 Henry Ave - Fleming Field (KSGS), South St. Paul, MN 55075

Phone: 651.451.1205 | Fax: 651.457.7858

www.wipaire.com

ITEMS PROVIDED IN SERVICE KIT (PER SET OF FLOATS)

ITEM	QTY	PART NUMBER	DESCRIPTION
1	4	1003690	Bulkhead 9 Access Panel Vertical Stiffener
2	48	AN526-832R6	Truss Head Machine Screw
3	8	1006513	Nylon Nutplate
4	16	NAS1149FN632P	Washer
5	8	MS21044N06	Nut
6	8	NAS601-6	Screw

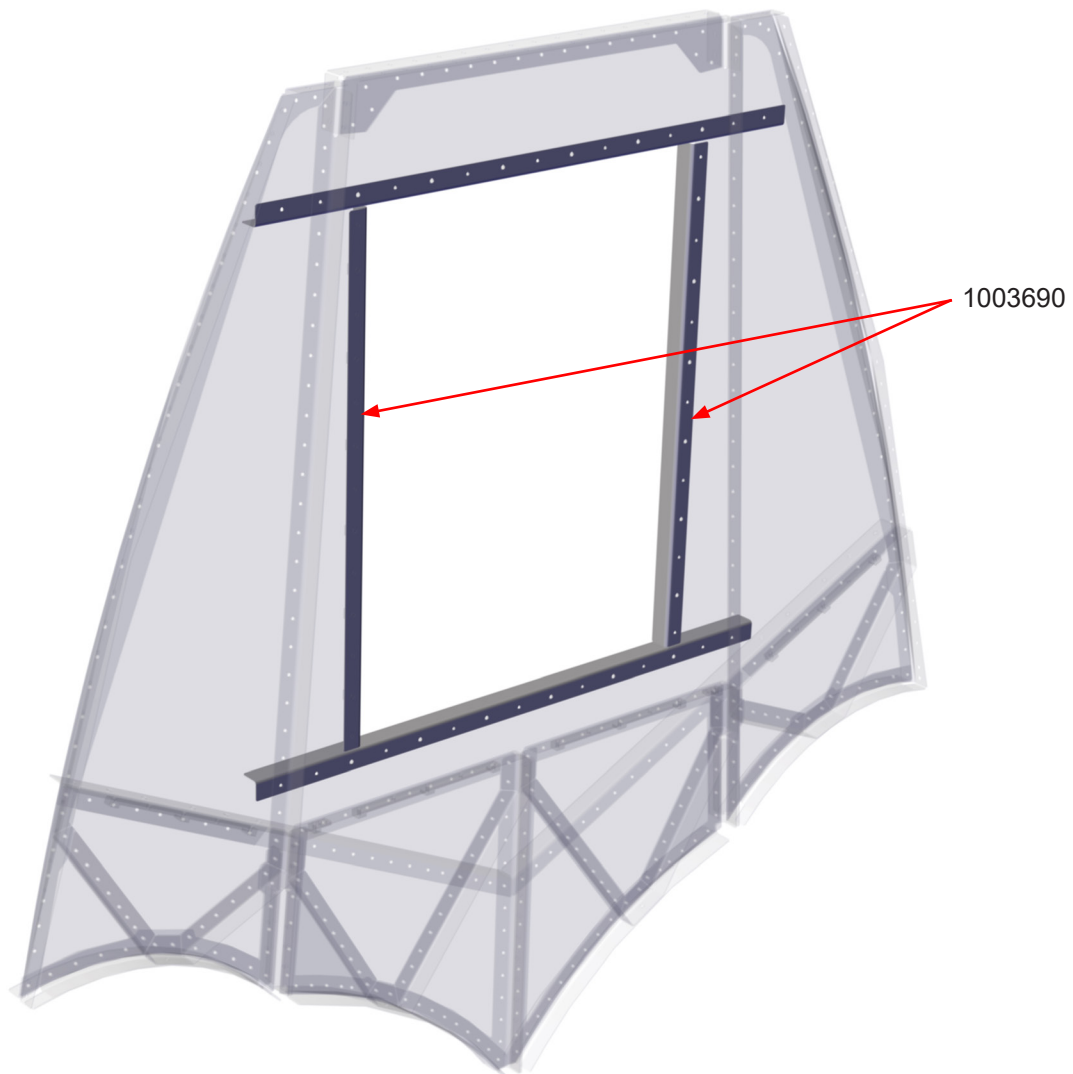
TABLE 1

Reference the following documents for instruction pertaining to inspection and repair when completing the following tasks:

- AC43.13-1B or later FAA approved revision guidelines
- Structural Repair Manual for Wipline Aluminum Floats Wipaire part number 1008274

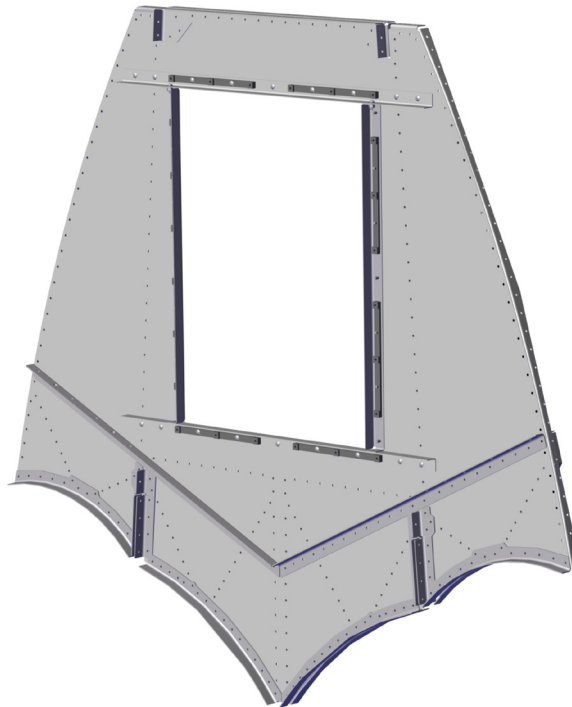
WORK INSTRUCTION

1. Gain access to the bulkhead 9 assembly through the aft baggage compartment and remove 1003688 Bulkhead 9 Access Panel. Discard (24) AN526-832R6 screws
2. Drill out (2) 1003690 Vertical Stiffeners

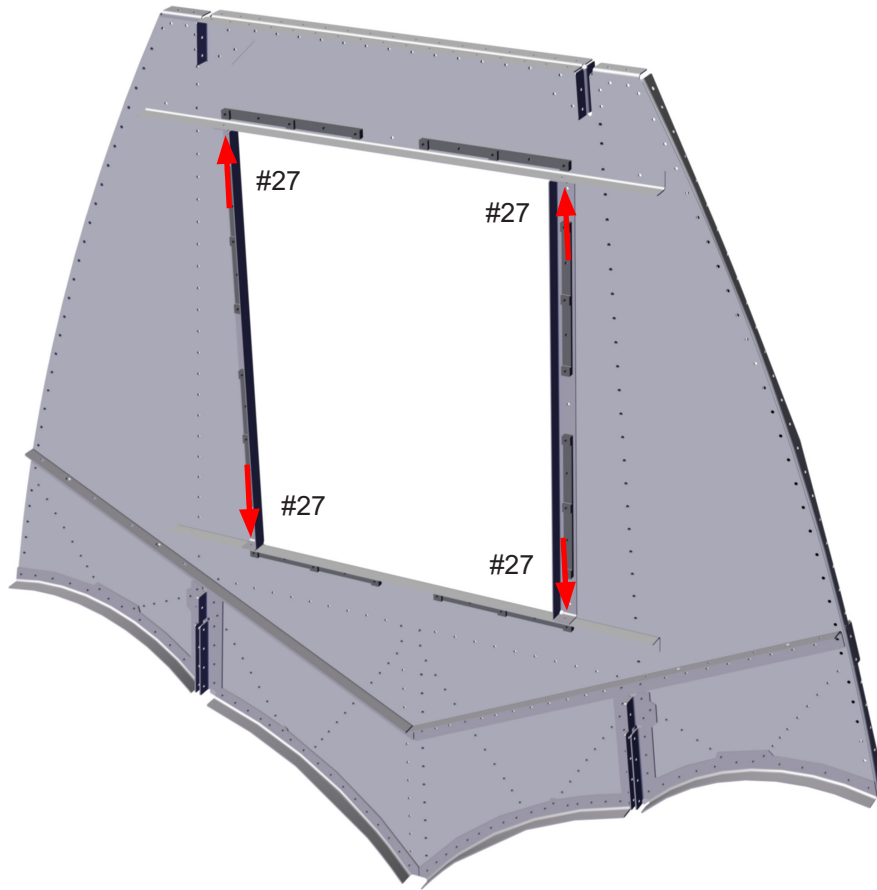


3. Inspect 1006080 Bulkhead Main Panel for cracking. If cracking is found, contact Wipaire Customer Service to receive additional instruction for repair. If no cracking is found, proceed to the next step

4. Remove (2) 1006513 Nylon Nutplates from each 1003690 Vertical Stiffener (4 total)
5. Position (2) revised 1003690 Vertical Stiffeners and (4) new 1006513 Nylon Nutplates where shown. Cleco in position and rivet Vertical Stiffeners and Nylon Nutplates to 1006080 Bulkhead 9 Main Panel

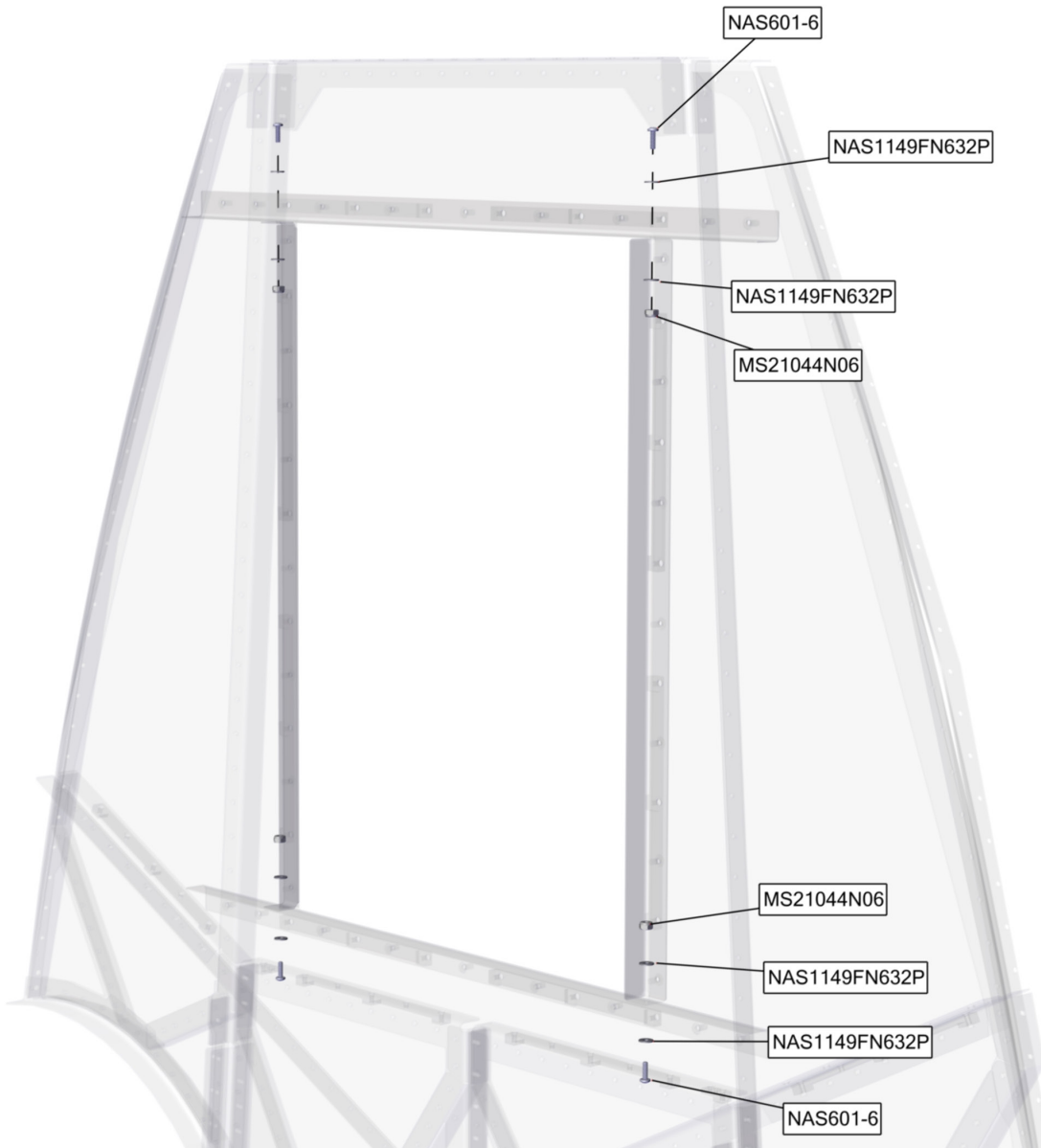


6. Backdrill through the 1003689 Horizontal Stiffeners in the 4 locations shown using a #27 drill bit



7. Install (4) NAS601-6 screws, (4) MS21044N06 nuts, and (8) NAS1149FN632P washers attaching the flange of each 1003690 Vertical Stiffener to the 1003689 Horizontal Stiffeners as shown

NOTE: Rivets may be used in place of the hardware if desired



8. Reinstall 1003688 Bulkhead 9 Access Panel using Crest Midwest Industries Black Strip Caulk P/N CRSXSB (or equivalent) and new (24) AN526-832R6 screws

NOTES:

1. Upon completion of inspection, enter information in Aircraft Logbook for completion of Wipaire Service Letter 172
2. Once service letter is accomplished, please visit www.wipaire.com and update your aircraft service letter/kit record using the link found on the Customer Support dropdown menu under "Update Service Letter & Kit Compliance Status"