



WIPLINE FLOATS | MODIFICATIONS | AIRCRAFT SALES
AVIONICS | INTERIORS | MAINTENANCE | PAINT



**PARTS MANUAL
FOR
WIPLINE MODEL 4000
AMPHIBIAN AND SEAPLANE FLOATS
ON CESSNA 185 & 206 SERIES**

Revision L

THIS PAGE INTENTIONALLY LEFT BLANK

LOG OF REVISIONS

Revision	Pages Affected	Description	Date
B	100	Part number changes.	1/11/2006
C	65, 67	Drawing change and part added.	2/10/2006
D	74	Item 15M handle part number changed.	5/10/2008
E	All	Added Grove nose wheel, reformatted entire document, renumbered and reordered figures, changed "AN" washer part number to "NAS" part number, changed "AN" nut part number to "MS" part number.	7/9/2014
F	3	Removed Warranty Claim Form	3/31/2016
G	All	Updated manual in new software and changed format. Removed New Customer Form. Updated sections and Table of Contents. Added note about nose and main gear tire/tube. Updated tire and tube part numbers AA1D4 and XA1AC in main wheel. Updated tire and tube part numbers AD1A2 and XA1AA in nose wheel. Added note about Wipaire drawing 1011032 for alternate part numbers in Hydraulic Pump Overview.	6/10/2021
H	All	Combined Nose Gear section with Main Gear section to form new Landing Gear section.	1/5/2022
J	69	Changed 010-026 Seal to 471570 Seal, Timken.	7/19/2022
K	113, 115	Corrected bulb part numbers in gear control indicator assemblies.	9/23/2024
L	28-36, 67, 73	Updated images and parts lists in Top Deck sections. Added Pumpout Cup and Tube section. Added Float Hand Pump section to Section 3. Changed O-Ring MS28775-314 to M83461/1-314. Changed O-Ring MS28775-316 to M83461/1-316.	4/10/2026

View most current version of parts manual at www.wipaire.com.

THIS PAGE INTENTIONALLY LEFT BLANK

TABLE OF CONTENTS

FLOAT PART SALES DEPARTMENT OPERATIONS	6
INTRODUCTION	7
SECTION 1 HULL ASSEMBLY - AMPHIBIAN AND STRAIGHT	9
SECTION 2 BOTTOM & SIDE SKINS	21
SECTION 3 TOP DECK.....	27
SECTION 4 WHEEL WELL ASSEMBLY	37
SECTION 5 EXTRUSIONS & STIFFENERS	41
SECTION 6 STRUTS, STEPS & SPREADER BARS.....	47
SECTION 7 LANDING GEAR	57
SECTION 8 BRAKE LINES	75
SECTION 9 WATER RUDDER, STEERING & RETRACT SYSTEM	79
SECTION 10 HYDRAULICS	97
SECTION 11 ELECTRICAL.....	113

FLOAT PART SALES DEPARTMENT OPERATIONS

Parts Sales:

Wipaire, Inc.

1700 Henry Avenue – Fleming Field

South St. Paul, MN 55075

Telephone: (651) 306-0459

Fax: (651)-306-0666

Website: www.wipaire.com

Email: customerservice@wipaire.com

Note: Any information not found in this manual for strut package parts and other installation items refer to the installation drawing package provided with the STC at the time of float installation. Additional drawing copies are available for purchase through the Wipaire Customer Service Department.

Parts Ordering

Purchase orders should include:

1. Purchase order number
2. Name of person placing order
3. Invoicing information:
 - a. Customer name - company or individual
 - b. Address
 - c. Phone and fax number
4. Shipping information:
 - a. Address (if different from invoice address)
 - b. Method of shipment/preferred carrier
5. Aircraft model, float model, and serial numbers
6. Wipaire part number; name; type, e.g. left or right; quantity
7. Payment method: VISA, MasterCard, C.O.D. (Collect on Delivery) (U.S. customers only), pre-payment by check or wire transfer, open account (see Credit Policy)

INTRODUCTION

All references in this manual to LEFT and RIGHT are from the perspective of the pilot's seat with the floats fully installed and ready for floatplane operation.

The following is a list of abbreviations that may appear in the description nomenclature fields of this manual:

AB	Afterbody	Inbd.	Inboard
Amphib.	Amphibious	Lg.	Large
AR	As Required	Lt.	Left
Assy.	Assembly	Lwr.	Lower
Brkt.	Bracket	Opt.	Optional
Btm.	Bottom	Otbd.	Outboard
Bulk.	Bulkhead	Reinf.	Reinforcement
Ctr.	Center	Rr.	Rear
Cyl.	Cylinder	Rt.	Right
Ft.	Front	Sm.	Small
Ftg.	Fitting	SN	Serial Number
Fus.	Fuselage	Spr.	Spreader
Fwd	Forward	Up.	Upper
Horiz.	Horizontal	Vert.	Vertical
Hyd.	Hydraulic	W.W.	Wheel Well

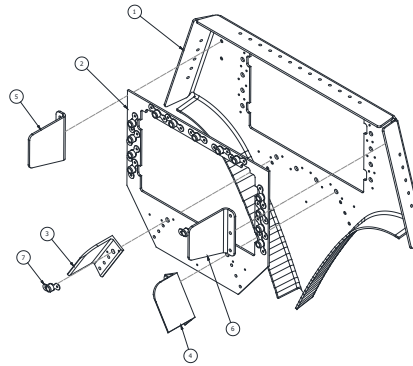
USING THIS PARTS MANUAL

COVERAGE

Parts information is provided in this manual for the hulls and all "deck down" parts. For information on strut package parts and other aircraft installation items, refer to the installation drawing package provided with the STC at the time of float installation. Additional drawing copies are available for purchase through Wipaire Customer Service Department.

Name of main part in the section. Example: This part is showing the components made up in Bulkhead #1.

BULKHEAD #1



Main part image. If the image has numbers associated with it, then those numbers are item numbers shown in the table below.

Items with a (-) instead of a number represent the main part as an assembly. Other parts represent the parts included in the assembly.

ITEM	QTY	PART NO.	PART DESCRIPTION
-	1	1008815	ASSEMBLY BULKHEAD #1, 10000
1	1	1008797	PANEL, BULKHEAD #1
2	1	13A01156-085	DOUBLER #1 BULKHEAD
3	1	13A01357-049	CLEAT, SISTER KEEL ATTACH #1 BULKHEAD
4	1	13A01357-050	CLEAT, SISTER KEEL ATTACH #1 BULKHEAD
5	1	6A01156-054	ANGLE – TOP RAIL
6	1	6A01156-055	ANGLE – TOP RAIL
7	17	MS21047L4	NUT PLATE, SELF LOCKING

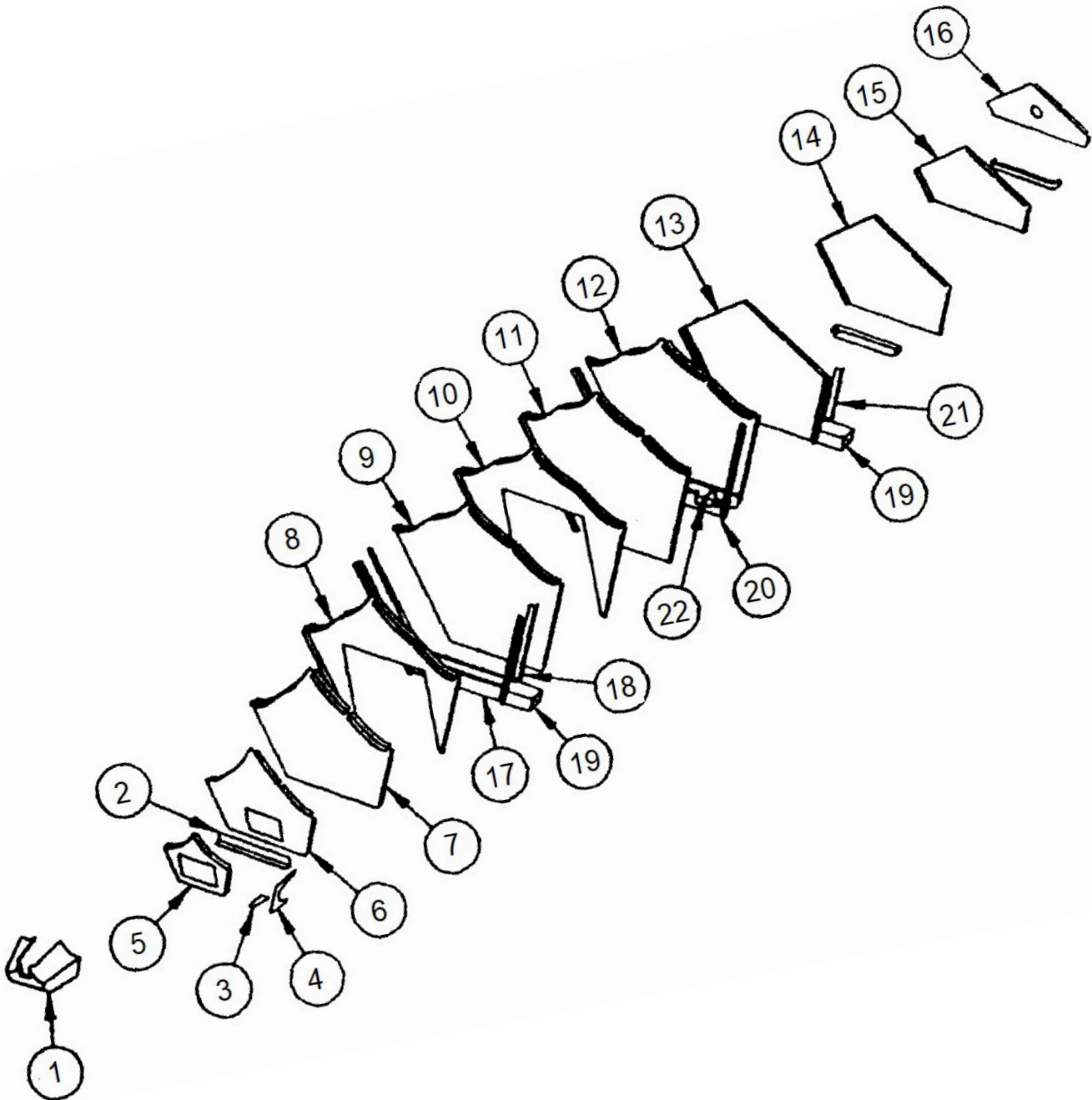
To order an individual part, order the part number associated with item number.

SECTION 1 HULL ASSEMBLY - AMPHIBIAN AND STRAIGHT

CONTENTS

HULL ASSEMBLY - AMPHIBIAN	10
HULL ASSEMBLY - SEAPLANE.....	15
HULL MISCELLANEOUS PARTS – SEAPLANE	20

HULL ASSEMBLY - AMPHIBIAN



PARTS MANUAL
4000 FLOATS ON CESSNA 185 & 206 SERIES

ITEM	QTY	PART NO.	PART DESCRIPTION
-	1	4A01000-168	ASSY., RT. FLOAT HULL, AMPHIB.
-	1	4A01000-167	ASSY., LT. FLOAT HULL, AMPHIB.
1	1	6A01729-001	NOSE BUMPER
	2	6A01359-052	ANGLE, NOSE BUMPER ATTACH
	4	AN526-1032R8	SCREW-ATTACH
2	1	6A01339-030	STIFFENER, TOP SKIN FWD.
3	2	4A01156-068	GUSSET, NOSE BULK., TOP
4	2	4A01156-067	GUSSET, NOSE BULK., SIDE
5	1	4A01000-159	ASSY., BULK. #1
	1	4A01156-076	BULK., NOSE
	2	6A01359-004	ANGLE, KEEL ATTACH
	11	22NA1-048	NUT PLATES
6	1	4A01000-134	ASSY., BULK. #2
	1	4A01158-064	BULK. TOP
	1	4A01158-083	BULK. BTM.
	1	6A01359-003	ANGLE, KEEL ATTACH, LT.
	1	4A01359-104	ANGLE, SISTER KEEL ATTACH, RT.
	1	4A01359-103	ANGLE, SISTER KEEL ATTACH, LT.
	1	4A01359-109	ANGLE, NOSE BOX ATTACH, RT.
	1	4A01359-110	ANGLE, NOSE BOX ATTACH, LT.
	2	6A01359-004	ANGLE, TOP RAIL ATTACH
	2	4A01157-004	SPACER, SISTER KEEL ATTACH ANGLE
7	1	4A01000-135	ASSY., BULK. #3
	1	4A01158-065	BULK., TOP
	1	4A01150-095	BULK., BTM.
	1	4A01150-097	BULK., BTM. #3-1
	1	4A01359-156	ANGLE, KEEL ATTACH, RT.
	1	4A01359-157	ANGLE, KEEL ATTACH, LT.
	1	4A01359-154	ANGLE, SISTER KEEL ATTACH, RT.
	1	4A01359-155	ANGLE, SISTER KEEL ATTACH, LT.
	2	6A01359-004	ANGLE, TOP RAIL ATTACH
8	1	4A01000-136	ASSY., BULK. #4
	1	4A01158-080	BULK. SIDE, RT.
	1	4A01158-079	BULK. SIDE, LT.
	1	4A01150-077	BULK., BTM.
	1	4A01150-076	BULK., BTM.
	1	6A01359-010	ANGLE, KEEL ATTACH, RT.
	1	6A01359-011	ANGLE, KEEL ATTACH, LT.
	1	6A01008-014	ANGLE, SISTER KEEL ATTACH, RT.
	1	6A01008-015	ANGLE, SISTER KEEL ATTACH, LT.
	1	4A01005-228	DOUBLER, PLATE KEEL

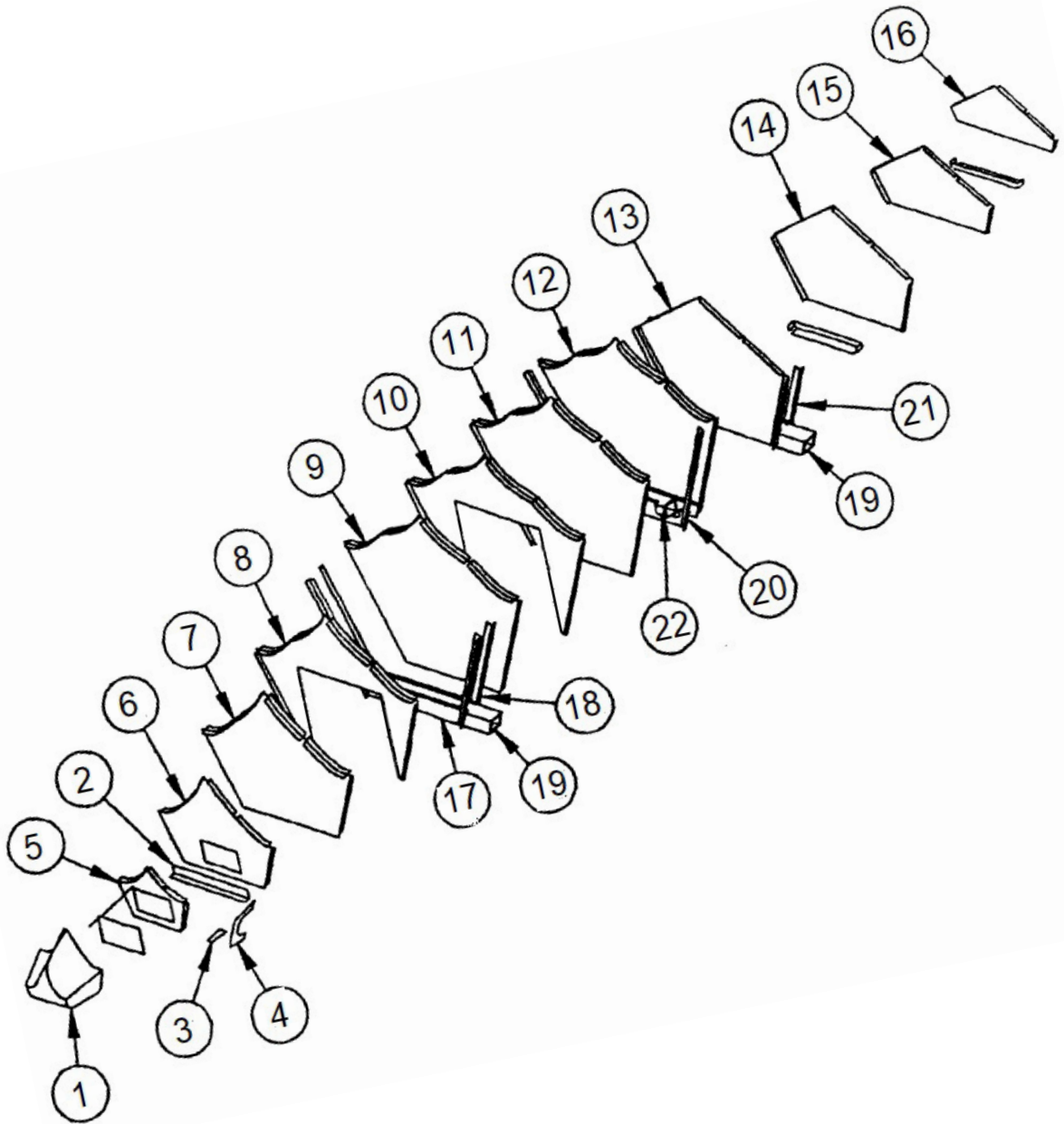
ITEM	QTY	PART NO.	PART DESCRIPTION
9	1	4A01000-137	ASSY., BULK. #5
	1	4A01158-066	BULK., TOP
	1	4A01150-096	BULK., BTM.
	1	4A01150-098	BULK., BTM. RR.
	1	4A01359-160	ANGLE, KEEL ATTACH, RT.
	1	4A01359-161	ANGLE, KEEL ATTACH, LT.
	1	4A01359-158	ANGLE, SISTER KEEL ATTACH, RT.
	1	4A01359-159	ANGLE, SISTER KEEL ATTACH, LT.
	2	6A01359-004	ANGLE, TOP RAIL ATTACH
10	1	4A01000-138	ASSY., BULK. #6
	1	4A01150-079	BULK., BTM. FT.
	1	4A01150-078	BULK., BTM.
	1	4A01158-082	BULK., SIDE, RT.
	1	4A01158-081	BULK., SIDE, LT.
	1	4A01359-096	ANGLE, KEEL ATTACH, RT.
	1	4A01359-097	ANGLE, KEEL ATTACH, LT.
	1	6A01008-014	ANGLE, SISTER KEEL ATTACH, RT.
	1	6A01008-015	ANGLE, SISTER KEEL ATTACH, LT.
	1	4A01005-228	DOUBLER, PLATE KEEL
11	1	4A01000-139	ASSY., BULK. #7
	1	4A01158-067	BULK. TOP
	1	4A01150-081	BULK., BTM. FT.
	1	4A01150-080	BULK., BTM. RR.
	1	4A01359-094	ANGLE, SISTER KEEL ATTACH, RT.
	1	4A01359-095	ANGLE, SISTER KEEL ATTACH, LT.
	2	4A01359-096	ANGLE, KEEL ATTACH, RT.
	2	4A01359-097	ANGLE, KEEL ATTACH, LT.
	2	6A01359-004	ANGLE, TOP RAIL ATTACH
	1	8A01348-004	ANGLE, TUNNEL
12	1	4A01000-140	ASSY., BULK. #8
	1	4A01158-068	BULK., TOP.
	1	4A01150-083	BULK., BTM. FT.
	1	4A01150-082	BULK., BTM. RR.
	1	4A01156-064	PANEL, SPR. BAR SUPPORT
	1	4A01359-096	ANGLE, KEEL ATTACH, RT.
	1	4A01359-097	ANGLE, KEEL ATTACH, LT.
	1	4A01357-042	ANGLE, SUPPORT TRUNNION, RT.
	1	4A01357-043	ANGLE, SUPPORT TRUNNION, LT.
	1	4A01359-098	ANGLE, HORIZ. TOP
	1	4A01359-099	ANGLE, HORIZ. BTM.
	1	4A01008-091	ANGLE, VERT., LT.

PARTS MANUAL
4000 FLOATS ON CESSNA 185 & 206 SERIES

ITEM	QTY	PART NO.	PART DESCRIPTION
	1	4A01008-092	ANGLE, VERT., RT.
	1	4A01008-088	ANGLE, AFT. INSIDE RT.
	1	4A01008-089	ANGLE, AFT. INSIDE LT.
	1	4A01008-108	SISTER KEEL, RT.
	1	4A01008-109	SISTER KEEL, LT.
	1	4A01339-056	ANGLE, SUPPORT CTR. STRUT, RT.
	1	4A01339-057	ANGLE, SUPPORT CTR. STRUT, LT.
	2	4A01156-066	ANGLE, PANEL
	2	4A01008-107	DOUBLER, HYD.
	1	4A01163-029	SPACER, SIDE STIFFENER
	2	4A01340-034	BRKT., W.W.
	2	AN5-5A	BOLT, 5/16-24 THREAD, 3/16" GRIP, 23/32" LENGTH
	2	NAS1149D0416J	WASHER, 0.265 ID, 0.016 THK, ALUMINUM
	2	NAS1149D0463J	WASHER, 0.265 ID, 0.063 THK, ALUMINUM
	2	MS21045-5	NUT, LOCK, STEEL, 5/16-24, NON DRY LUBE, REGULAR, 450F
13	1	4A01000-215	ASSY., BULK. #9
	1	4A01158-140	BODY, BULK.
	1	4A01158-100	PANEL, BULK., LWR. (FOR S/N 40083A EARLIER) OBSOLETE
	1	4A01156-064	PANEL, SPR. BAR SUPPORT, RT.
	1	4A01339-050	ANGLE, SPR. BAR PANEL, RT.
	1	4A01339-051	ANGLE, SPR. BAR PANEL, LT.
	1	4A01339-048	ANGLE, SLIDE TUBE ATTACH, RT.
	1	4A01339-049	ANGLE, SLIDE TUBE ATTACH, LT.
	1	4A01359-101	ANGLE, VERT., LT.
	1	4A01359-100	ANGLE, VERT., RT.
	1	4A01359-102	ANGLE, HORIZ.
	2	4A01008-086	ANGLE, W.W.
	2	6A01361-003	ANGLE, SISTER KEEL ATTACH
14	1	4A01000-144	ASSY., BULK. #10, RT. FLT.
	1	4A01000-171	ASSY., BULK. #10, LT. FLT.
	1	4A01158-070	BODY, BULK., RT.
	1	4A01158-109	BODY, BULK., LT.
	2	3A01151-010	PULLEY BRKT.
	2	4A01348-007	ANGLE, TOP RAIL
	1	6A01359-004	ANGLE, RAIL ATTACH
15	1	4A01000-145	ASSY., BULK. #11, RT. FLT.
	1	4A01000-172	ASSY., BULK. #11, LT. FLT.
	1	4A01158-108	BODY, BULK., RT.
	1	4A01158-071	BODY, BULK., LT.
	2	4A01348-007	ANGLE, TOP RAIL
	6	6A01359-004	ANGLE, RAIL ATTACH

ITEM	QTY	PART NO.	PART DESCRIPTION
16	1	4A01000-146	ASSY., BULK. #12
	1	4A01158-072	BODY, BULK.
	1	4A01150-001	STIFFENER, BTM.
	6	6A01359-004	ANGLE, RAIL ATTACH
	1	4A01359-120	ANGLE, RT.
	1	4A01359-121	ANGLE, LT.
	1	4A01340-035	ANGLE, BULK. TO TOP SKIN
	1	4A01435-001	PIVOT, CASTING WATER RUDDER
17	1	4A01000-150	ASSY., SPR. BAR PANEL, FWD. FT.
	1	4A01339-052	ARM, SPR. BAR PANEL, RT.
	1	4A01339-053	ARM, SPR. BAR PANEL, LT.
	1	4A01156-065	PANEL, SPR. BAR SUPPORT
18	1	4A01000-151	ASSY., SPR. BAR PANEL, FT. AFT.
	1	4A01339-054	ARM, SPR. BAR PANEL, RT.
	1	4A01339-055	ARM, SPR. BAR PANEL, LT.
	1	4A01156-065	PANEL, SPR. BAR SUPPORT
19	2	4A03390-001	STUB, SPR. BAR
20	1	4A01000-152	ASSY., SPR. BAR PANEL, MID. FT.
	1	4A01339-056	ARM, SPR. BAR PANEL, RT.
	1	4A01339-057	ARM, SPR. BAR PANEL, LT.
	1	4A01156-065	PANEL, SPR. BAR SUPPORT
21	1	4A01000-153	ASSY., SPR. BAR PANEL, RR.
	1	4A01339-058	ARM, SPR. BAR PANEL, RT.
	1	4A01339-059	ARM, SPR. BAR PANEL, LT.
	1	4A01156-077	PANEL, SPR. BAR SUPPORT
22	1	4A03390-002	SPACER, SUPPORT, CTR. STRUT

HULL ASSEMBLY - SEAPLANE



ITEM	QTY	PART NO.	PART DESCRIPTION
-	1	4S01000-169	ASSY., RT. FLOAT HULL, STRAIGHT
-	1	4S01000-170	ASSY., LT. FLOAT HULL, STRAIGHT
1	1	6S01729-002	NOSE BUMPER
	2	6A01359-052	ANGLE, NOSE BUMPER TOP.
	1	6A01359-113	ANGLE, NOSE BUMPER BTM.
	4	AN526-1032R8	SCREW
2	1	6A01339-030	STIFFENER, TOP SKIN FWD.
3	2	4A01156-068	GUSSET, NOSE BULK., TOP
4	2	4A01156-067	GUSSET, NOSE BULK., SIDE
5	1	4A01000-159	ASSY., BULK. #1
	1	4A01156-076	BULK., NOSE
	2	6A01359-004	ANGLE, KEEL ATTACH
	1	6S01002-040	COVER
	25	LP526-632R6	SCREW, SELF LOCKING, 6-32, 3/8 LONG, RECESSED HEAD
6	1	4A01000-134	ASSY., BULK. #2
	1	4A01158-064	BULK. TOP
	1	4A01158-083	BULK. BTM.
	1	6A01359-003	ANGLE, KEEL ATTACH, LT.
	1	4A01359-104	ANGLE, SISTER KEEL ATTACH, RT.
	1	4A01359-103	ANGLE, SISTER KEEL ATTACH, LT.
	1	4A01359-109	ANGLE, NOSE BOX ATTACH, RT.
	1	4A01359-110	ANGLE, NOSE BOX ATTACH, LT.
	2	6A01359-004	ANGLE, TOP RAIL ATTACH
	2	4A01157-004	SPACER, SISTER KEEL ATTACH ANGLE
7	1	4A01000-135	ASSY., BULK. #3
	1	4A01158-065	BULK., TOP
	1	4A01150-095	BULK., BTM.
	1	4A01150-096	BULK., BTM.
	1	4A01359-156	ANGLE, KEEL ATTACH, RT.
	1	4A01359-157	ANGLE, KEEL ATTACH, LT.
	1	4A01359-154	ANGLE, SISTER KEEL ATTACH, RT.
	1	4A01359-155	ANGLE, SISTER KEEL ATTACH, LT.
	2	6A01359-004	ANGLE, TOP RAIL ATTACH
8	1	4A01000-136	ASSY., BULK. #4
	1	4A01158-080	BULK. SIDE, RT.
	1	4A01158-079	BULK. SIDE, LT.
	1	4A01150-077	BULK., BTM.
	1	4A01150-076	BULK., BTM.
	1	6A01359-010	ANGLE, KEEL ATTACH, RT.
	1	6A01359-011	ANGLE, KEEL ATTACH, LT.
	1	6A01008-014	ANGLE, SISTER KEEL ATTACH, RT.

PARTS MANUAL
4000 FLOATS ON CESSNA 185 & 206 SERIES

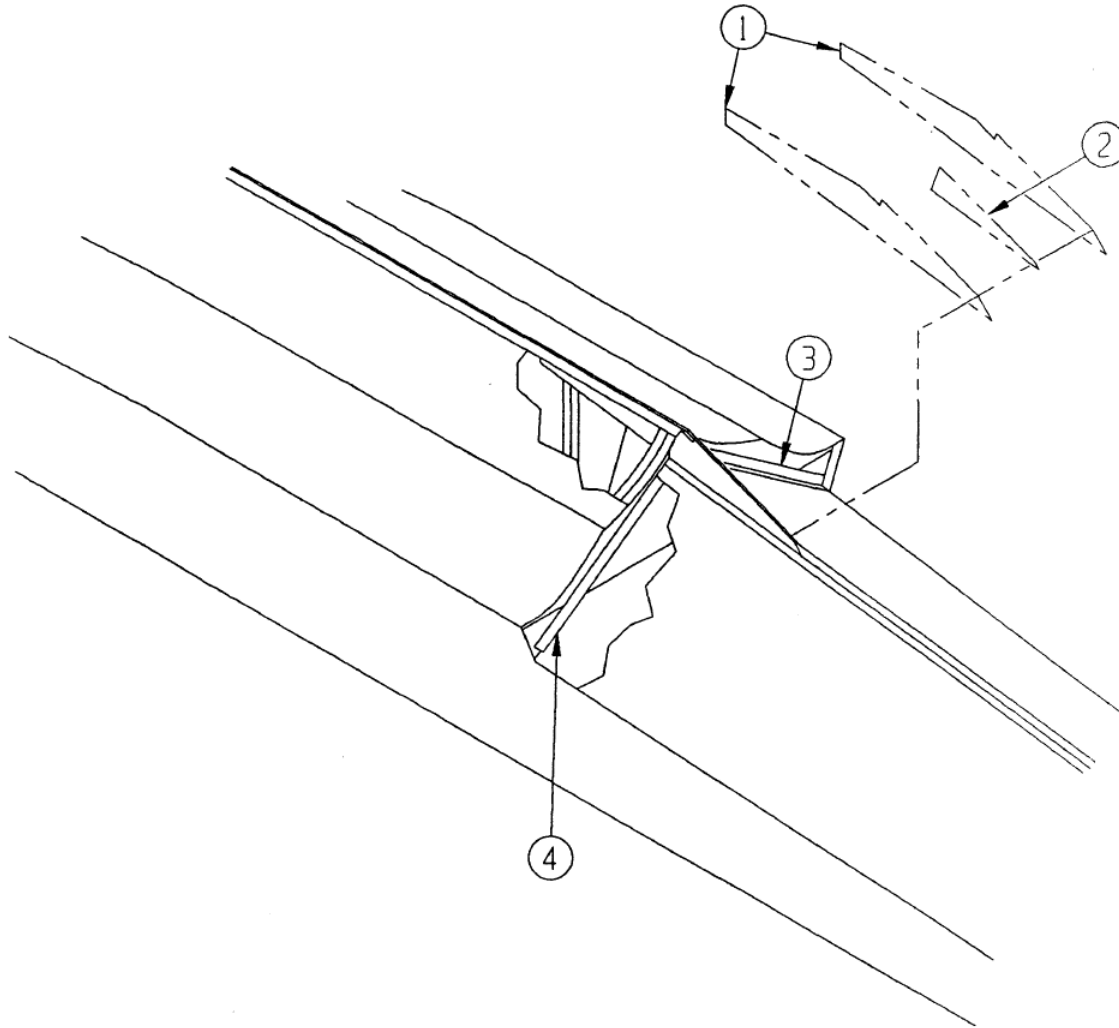
ITEM	QTY	PART NO.	PART DESCRIPTION
	1	6A01008-015	ANGLE, SISTER KEEL ATTACH, LT.
	1	4A01005-228	DOUBLER, PLATE KEEL
9	1	4A01000-137	ASSY., BULK. #5
	1	4A01158-066	BULK., TOP
	1	4A01150-097	BULK., BTM.
	1	4A01150-098	BULK., BTM. RR.
	1	4A01359-160	ANGLE, KEEL ATTACH, RT.
	1	4A01359-161	ANGLE, KEEL ATTACH, LT.
	1	4A01359-158	ANGLE, SISTER KEEL ATTACH, RT.
	1	4A01359-159	ANGLE, SISTER KEEL ATTACH, LT.
	2	6A01359-004	ANGLE, TOP RAIL ATTACH
10	1	4A01000-138	ASSY., BULK. #6
	1	4A01150-079	BULK., BTM. FT.
	1	4A01150-078	BULK., BTM.
	1	4A01158-082	BULK., SIDE, RT.
	1	4A01158-081	BULK., SIDE, LT.
	1	4A01359-096	ANGLE, KEEL ATTACH, RT.
	1	4A01359-097	ANGLE, KEEL ATTACH, LT.
	1	6A01008-014	ANGLE, SISTER KEEL ATTACH, RT.
	1	6A01008-015	ANGLE, SISTER KEEL ATTACH, LT.
	1	4A01005-228	DOUBLER, PLATE KEEL
11	1	4S01000-173	ASSY., BULK. #7
	1	4S01158-119	BULK. TOP
	1	4A01150-078	BULK. BTM.
	1	4A01150-081	BULK., BTM. FT.
	2	4A01150-080	BULK., BTM. RR.
	1	4A01359-094	ANGLE, SISTER KEEL ATTACH, RT.
	1	4A01359-095	ANGLE, SISTER KEEL ATTACH, LT.
	1	4A01359-160	ANGLE, KEEL ATTACH, RT.
	1	4A01359-161	ANGLE, KEEL ATTACH, LT.
	2	6A01359-004	ANGLE, TOP RAIL ATTACH
12	1	4S01000-141	ASSY., BULK. #8
	1	4S01158-096	BULK., TOP.
	1	4A01150-080	BULK., BTM. FT.
	1	4A01150-079	BULK., BTM. RR.
	1	4A01156-064	PANEL, SPR. BAR SUPPORT
	1	4S01359-123	ANGLE, KEEL ATTACH
	1	4S01359-105	ANGLE, KEEL ATTACH
	1	4S01359-106	ANGLE, SISTER KEEL ATTACH, RT.
	1	4S01359-107	ANGLE, SISTER KEEL ATTACH, LT.
	1	4S01008-094	ANGLE, AFT. INSIDE RT.

ITEM	QTY	PART NO.	PART DESCRIPTION
	1	4S01008-095	ANGLE, AFT. INSIDE LT.
	1	4A01008-091	ANGLE, VERT., LT.
	1	4A01008-092	ANGLE, VERT., RT.
	1	4A01339-056	ANGLE, SUPPORT CTR. STRUT, RT.
	1	4A01339-057	ANGLE, SUPPORT CTR. STRUT, LT.
	2	4A01156-066	ANGLE, PANEL
	1	4A01163-029	SPACER, SIDE STIFFENER
	2	4S01158-098	DOUBLER, SISTER KEEL
	2	AN5-5A	BOLT, 5/16-24 THREAD, 3/16" GRIP, 23/32" LENGTH
	2	NAS1149D0416J	WASHER, 0.265 ID, 0.016 THK, ALUMINUM
	2	NAS1149D0463J	WASHER, 0.265 ID, 0.063 THK, ALUMINUM
	2	MS21045-5	NUT, LOCK, STEEL, 5/16-24, NON DRY LUBE, REGULAR, 450F
13	1	4S01000-143	ASSY., BULK. #9
	1	4S01158-092	BODY, BULK.
	1	4A01156-064	PANEL, SPR. BAR SUPPORT, RT.
	1	4A01156-065	PANEL, SPR. BAR SUPPORT, LT.
	1	4A01339-050	ANGLE, SPR. BAR PANEL, RT.
	1	4A01339-051	ANGLE, SPR. BAR PANEL, LT.
	1	6A01359-021	ANGLE, VERT., RT.
	1	6A01359-020	ANGLE, VERT., LT.
14	1	4A01000-144	ASSY., BULK. #10, RT.
	1	4A01000-171	ASSY., BULK. #10, LT.
	1	4A01158-070	BODY, BULK., RT.
	1	4A01158-109	BODY, BULK., LT.
	2	3A01151-010	PULLEY BRKT.
	2	4A01348-007	ANGLE, TOP RAIL
	6	6A01359-004	ANGLE, RAIL ATTACH
15	1	4A01000-145	ASSY., BULK. #11, RT.
	1	4A01000-172	ASSY., BULK. #11, LT.
	1	4A01158-108	BODY, BULK., RT.
	1	4A01158-071	BODY, BULK., LT.
	2	4A01348-007	ANGLE, TOP RAIL
	6	6A01359-004	ANGLE, RAIL ATTACH
16	1	4A01000-146	ASSY., BULK. #12
	1	4A01158-072	BODY, BULK.
	1	3A01002-019	STIFFENER, TOP
	1	4A01150-001	STIFFENER, BTM.
	6	6A01359-004	ANGLE, RAIL ATTACH
	1	4A01359-120	ANGLE, RT.
	1	4A01359-121	ANGLE, LT.
	1	4A01340-035	ANGLE, BULK. TO TOP

PARTS MANUAL
4000 FLOATS ON CESSNA 185 & 206 SERIES

ITEM	QTY	PART NO.	PART DESCRIPTION
	1	4S01158-098	DOUBLER, SISTER KEEL
17	1	4A01000-150	ASSY., SPR. BAR PANEL, FW'D FT.
	1	4A01339-052	ARM, SPR. BAR PANEL, RT.
	1	4A01339-053	ARM, SPR. BAR PANEL, LT.
	1	4A01156-065	PANEL, SPR. BAR SUPPORT
18	1	4A01000-151	ASSY., SPR. BAR PANEL, FT. AFT
	1	4A01339-054	ARM, SPR. BAR PANEL, RT.
	1	4A01339-055	ARM, SPR. BAR PANEL, LT.
	1	4A01156-065	PANEL, SPR. BAR SUPPORT
19	2	4A03390-001	STUB, SPR. BAR
20	1	4A01000-152	ASSY., SPR. BAR PANEL, MID. FT.
	1	4A01339-062	ARM, SPR. BAR PANEL, RT.
	1	4A01339-063	ARM, SPR. BAR PANEL, LT.
	1	4A01156-065	PANEL, SPR. BAR SUPPORT
21	1	4A01000-153	ASSY., SPR. BAR PANEL, RR.
	1	4A01339-058	ARM, SPR. BAR PANEL, RT.
	1	4A01339-059	ARM, SPR. BAR PANEL, LT.
	1	4A01156-077	PANEL, SPR. BAR SUPPORT
22	1	4A03390-002	SPACER, SUPPORT CTR. STRUT

HULL MISCELLANEOUS PARTS – SEAPLANE



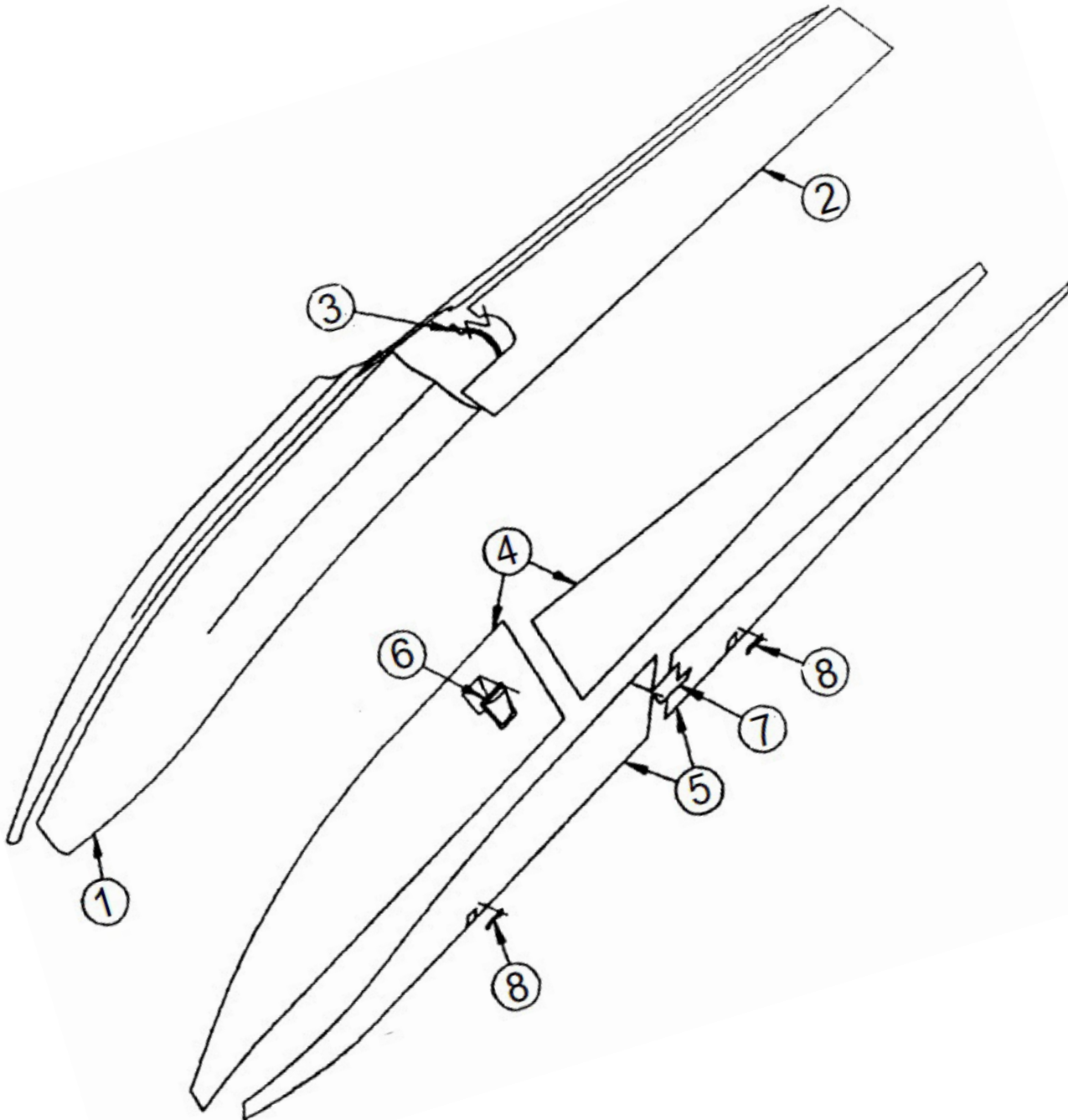
ITEM	QTY	PART NO.	PART DESCRIPTION
1	2	4S01156-075	STRAP, CARRY THRU
2	1	4S01003-059	SPACER, CARRY THRU
3	1	6S01005-082	ANGLE, AFT. SKIN ATTACH OUTSIDE, RT.
	1	6S01005-083	ANGLE, AFT. SKIN ATTACH OUTSIDE, LT.
4	1	6S01008-020	ANGLE, AFT. SKIN ATTACH, RT.
	1	6S01008-019	ANGLE, AFT. SKIN ATTACH, LT.

SECTION 2 BOTTOM & SIDE SKINS

CONTENTS

BOTTOM & SIDE SKINS - AMPHIBIAN.....	22
BOTTOM & SIDE SKINS - SEAPLANE	24

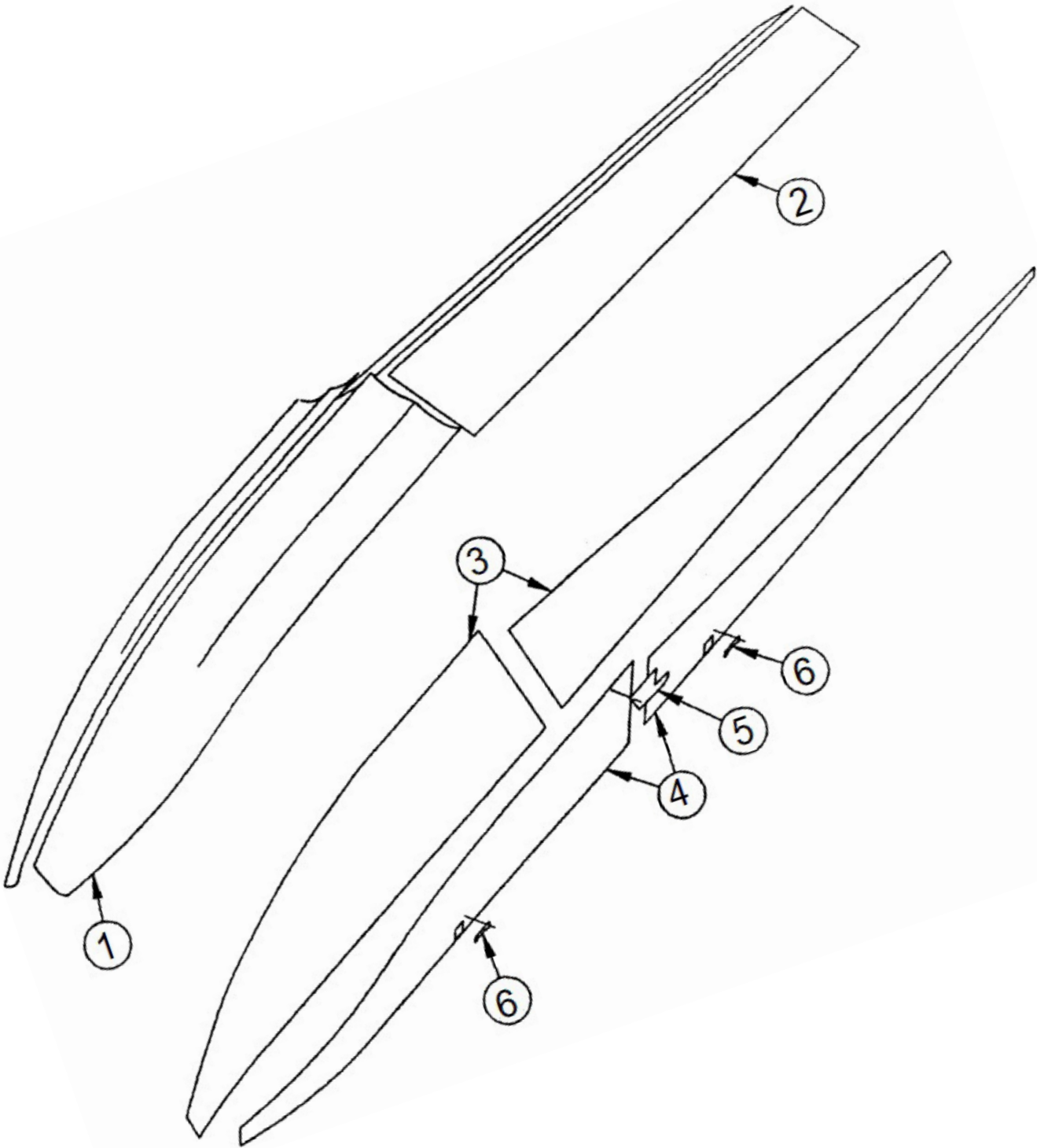
BOTTOM & SIDE SKINS - AMPHIBIAN



PARTS MANUAL
4000 FLOATS ON CESSNA 185 & 206 SERIES

ITEM	QTY	PART NO.	PART DESCRIPTION
1	1	4A01151-090	SKIN, BTM., RT. FWD.
	1	4A01151-089	SKIN, BTM., LT. FWD.
2	1	4A01004-074	SKIN, BTM., AFT. RT.
	1	4A01004-075	SKIN, BTM., AFT. LT.
3	2	4A01160-013	REINF., W.W. OPENING
4	1	4A01004-052	SKIN, SIDE, 0TBD., RT. FLOAT FWD.
	1	4A01004-053	SKIN, SIDE, 0TBD., LT. FLOAT FWD.
	1	4A01004-064	SKIN, SIDE, 0TBD., RT. FLOAT AFT.
	1	4A01004-063	SKIN, SIDE, 0TBD., LT. FLOAT AFT.
5	1	4A01004-050	SKIN, SIDE, INBD., RT. FLOAT FWD.
	1	4A01004-051	SKIN, SIDE, INBD., LT. FLOAT FWD.
	1	4A01004-066	SKIN, SIDE, INBD., RT. FLOAT AFT.
	1	4A01004-065	SKIN, SIDE, INBD., LT. FLOAT AFT.
6	1	3A01000-005	ASSY., STEP BOARDING
7	2	4A01002-091	GUSSET, SIDE SKIN
	2	4A01004-073	SPACER, GUSSET SIDE SKIN
8	2	4A01008-090	DOUBLER, SPR. BAR, HOLE SIDE

BOTTOM & SIDE SKINS - SEAPLANE



PARTS MANUAL
4000 FLOATS ON CESSNA 185 & 206 SERIES

ITEM	QTY	PART NO.	PART DESCRIPTION
1	1	4A01151-090	SKIN, BTM., RT. FWD.
	1	4A01151-089	SKIN, BTM., LT. FWD.
2	1	4S01004-076	SKIN, AFT. RT.
	1	4S01004-077	SKIN, AFT. LT.
3	1	4S01004-054	SKIN, SIDE, OUTBOARD, RT. FLOAT FWD.
	1	4S01004-055	SKIN, SIDE, OUTBOARD, LT. FLOAT FWD.
	1	4A01004-064	SKIN, SIDE, OUTBOARD, RT. FLOAT AFT.
	1	4A01004-063	SKIN, SIDE, OUTBOARD, LT. FLOAT AFT.
4	1	4A01004-050	SKIN, SIDE, INBD., RT. FLOAT FWD.
	1	4A01004-051	SKIN, SIDE, INBD., LT. FLOAT FWD.
	1	4A01004-066	SKIN, SIDE, INBD., RT. FLOAT AFT.
	1	4A01004-065	SKIN, SIDE, INBD., LT. FLOAT AFT.
5	2	4A01002-091	GUSSET, SIDE SKIN
	2	4A01004-073	SPACER, GUSSET, SIDE SKIN
6	2	4A01008-090	DOUBLER, SPR. BAR, HOLE SIDE

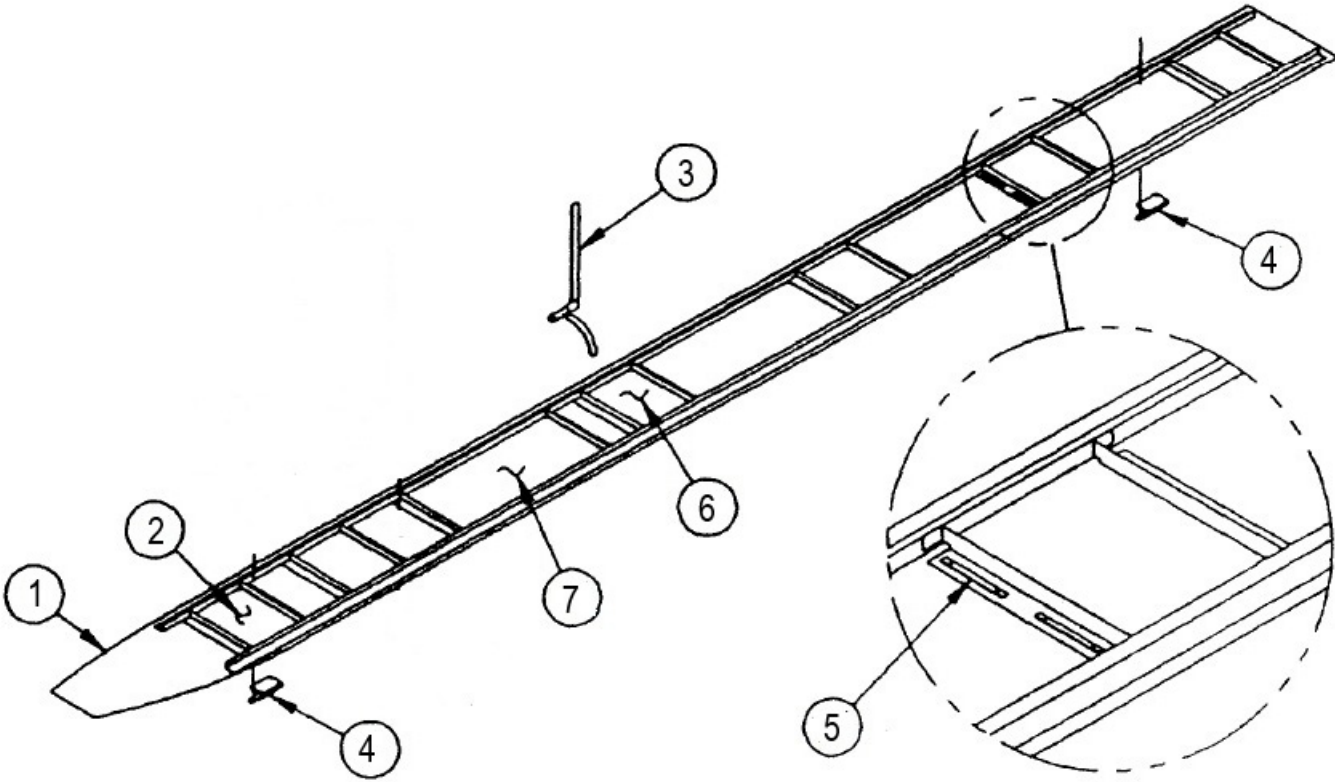
THIS PAGE INTENTIONALLY LEFT BLANK

SECTION 3 TOP DECK

CONTENTS

TOP DECK - AMPHIBIAN	28
TOP DECK - SEAPLANE	31
PUMPOUT CUP AND TUBE	34
FLOAT HAND PUMP	36

TOP DECK - AMPHIBIAN

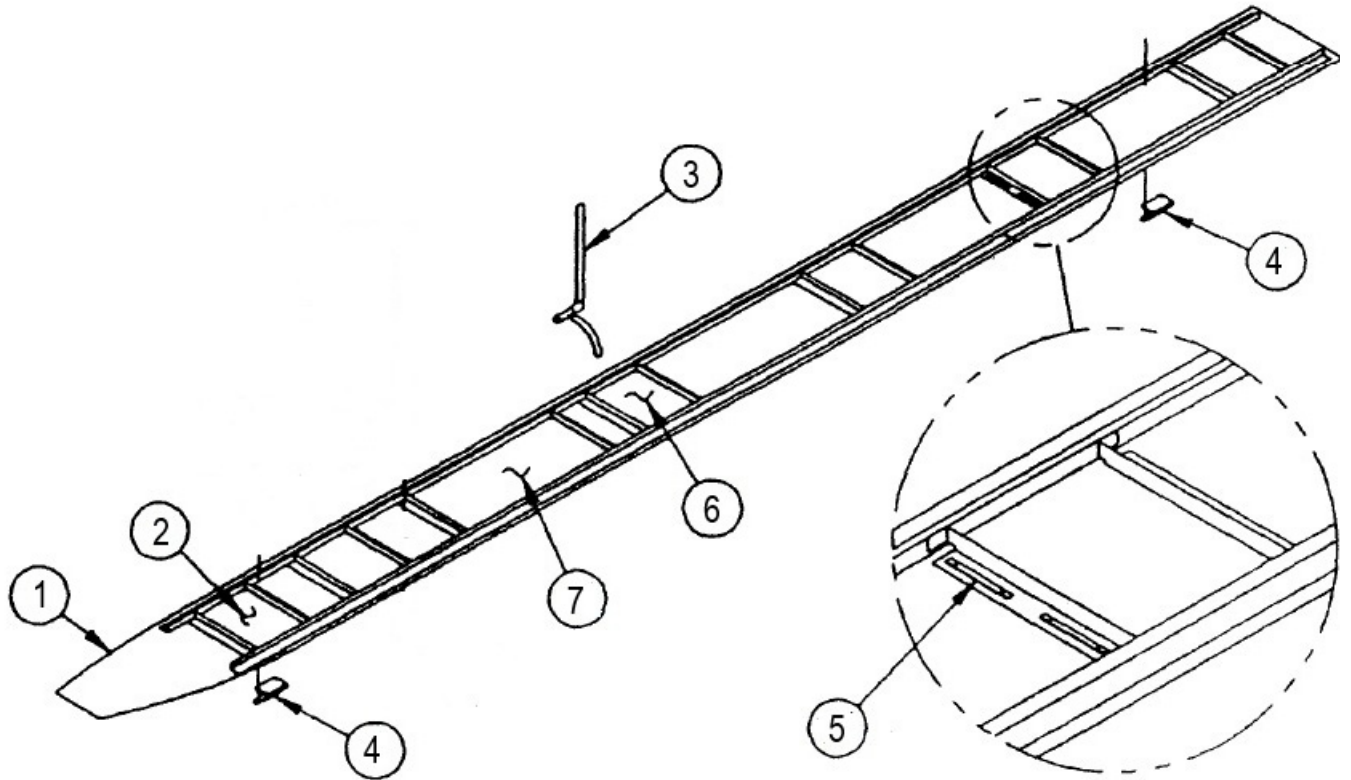


PARTS MANUAL
4000 FLOATS ON CESSNA 185 & 206 SERIES

ITEM	QTY	PART NO.	PART DESCRIPTION
1	1	4A01000-160	ASSY., TOP SKIN RT. FLOAT
	1	4A01000-161	ASSY., TOP SKIN LT. FLOAT
	1	4A01158-088	TOP SKIN RT.
	1	4A01158-089	TOP SKIN LT.
	1	4A01352-022	ANGLE, TOP SKIN RT. FORE AND AFT
	1	4A01352-023	ANGLE, TOP SKIN LT. FORE AND AFT
	16	4A01352-024	ANGLE, TOP SKIN REINF. (SHORT)
	6	4A01427-006	ANGLE, TOP DECK FTG. (STRUT FTG. HOLE)
	6	4A01008-105	SPACER, TOP DECK FTG. (STRUT FTG. HOLE)
	49	9A3-671	NUTPLATE
	A/R	9903-13-36	TAPE-INSULATION
2	5	8A01000-114	ASSY., INSPECTION COVER
	5	8A01567-006	GASKET
3	1	N/A	ASSY.-BAGGAGE PUMPOUT
	1	4A01647-001	HOSE-RUBBER 7 1/2"
	1	4A01631-001	TUBE 2"
	1	4A01632-002	TUBE 5 1/2"
	1	4A01632-001	TUBE 16 3/8"
	1	5/8" - 7/8"	REDUCER 45
	1	5/8" - 7/8"	REDUCER 90
	1	7/8"	FTG. 45
4	2	4A01213-004	CLEAT-TIE DOWN
	8	AN4-7A	BOLT, 1/4-28, 0.4375 GRIP, UNDRILLED, STEEL
	2	4A01163-028	SPACER-GUNWALL
	A/R	NAS1149D0463J	WASHER, 0.265 ID, 0.063 THK, ALUMINUM
	8	MS21044N4	NUT, LOCKING, REGULAR HEIGHT, 1/4-28 UNF
5	46	9A3-671	NUTPLATE
	AR	9903-13-36	TAPE, INSULATOR
6	1	4A01000-155	ASSY., COVER #4 (GASKET) 8A01567-006
	1	8A01163-005	COVER
	1	8A01340-021	ANGLE, COVER
	2	3A01650-002	PUMP CUP
	2	3A01003-006	RING, PUMP CUP
7	1	4A01000-154	ASSY., BAGGAGE COVER
	1	4A01162-001	COVER, BAGGAGE
	1	4A01004-048	STIFFENER, HORIZ.
	2	4A01004-067	STIFFENER, HORIZ.
	2	4A01004-049	STIFFENER, VERT.
	1	3A01525-003	LOCK SPRING
	1	3A01702-004	PIN - LOCK
	1	3A01206-001	RETAINER, LOCK

ITEM	QTY	PART NO.	PART DESCRIPTION
	1	9-0177A221	RING, OPENING
	1	3A01273-002	LOCK INSERT, BAGGAGE COMPARTMENT
	1	4A01162-004	LIP, BAGGAGE
	1	4A01621-004	FLOOR, BAGGAGE
	1	4A01000-184	HINGE ASSY.
	1	4A01740-003	HINGE
	1	4A01741-003	HINGE
	-	N/A	SEAL 1085-1MDC

TOP DECK - SEAPLANE

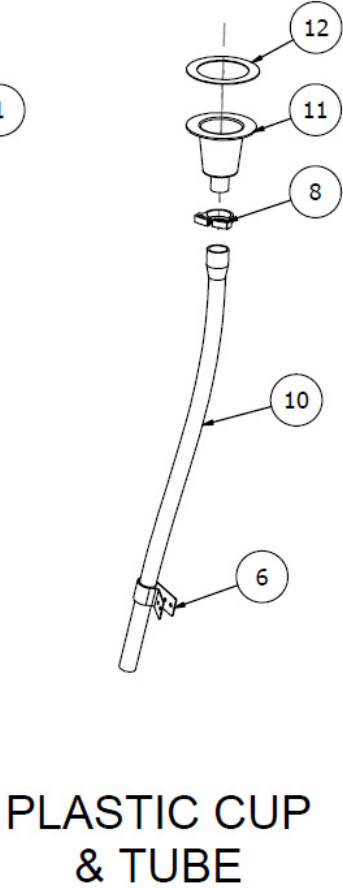
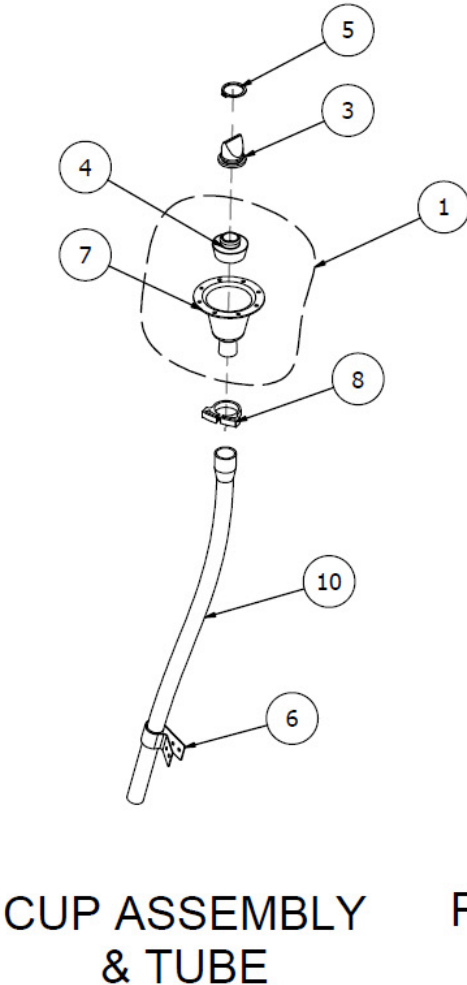
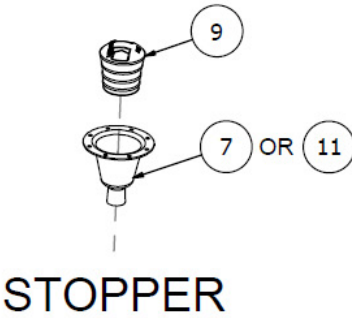
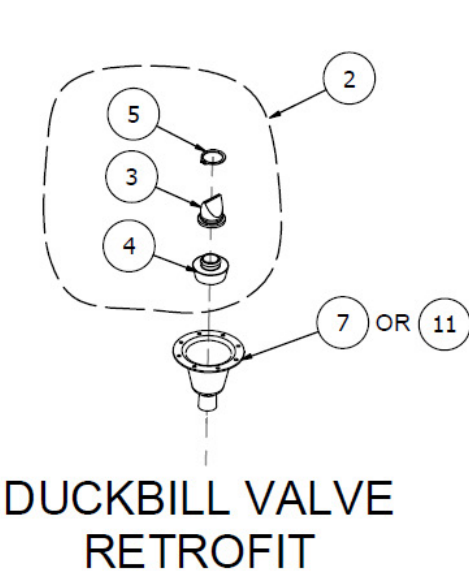


ITEM	QTY	PART NO.	PART DESCRIPTION
1	1	4S01000-162	ASSY., TOP SKIN RT. FLOAT
	1	4S01000-163	ASSY., TOP SKIN LT. FLOAT
	1	4S01158-090	TOP SKIN RT.
	1	4S01158-091	TOP SKIN LT.
	1	4S01352-026	ANGLE, TOP SKIN RT., FORE AND AFT
	1	4S01352-027	ANGLE, TOP SKIN LT., FORE AND AFT
	16	4A01352-024	ANGLE, TOP SKIN REINF. (SHORT)
	6	4A01427-006	ANGLE, TOP DECK FTG. (STRUT FTG. HOLE)
	6	4A01008-105	SPACER, TOP DECK FTG. (STRUT FTG. HOLE)
	49	9A3-671	NUTPLATE
2	5	6S01163-008	ASSY., INSPECTION COVER
3	1	N/A	ASSY.-BAGGAGE PUMPOUT
	1	4A01647-001	HOSE-RUBBER 7 1/2"
	1	4A01631-001	TUBE 2"
	1	4A01632-002	TUBE 5 1/2"
	1	4A01632-001	TUBE 16 3/8"
	1	5/8" - 7/8"	REDUCER 45
	1	5/8" - 7/8"	REDUCER 90
	1	7/8"	FTG. 45
4	2	4A01213-004	CLEAT-TIE DOWN
	8	AN4-7A	BOLT, 1/4-28, 0.4375 GRIP, UNDRILLED, STEEL
	2	3A01003-005	SPACER-GUNWALL
	A/R	NAS1149D0463J	WASHER, 0.265 ID, 0.063 THK, ALUMINUM
	8	MS21044N4	NUT, LOCKING, REGULAR HEIGHT, 1/4-28 UNF
5	49	9A3-671	NUTPLATE
	A/R	9903-13-36	TAPE, INSULATOR
6	1	4A01000-155	ASSY., COVER #4
	1	8A01163-005	COVER
	1	8A01340-021	ANGLE, COVER
	1	3A01650-002	PUMP CUP
	1	3A01003-006	RING, PUMP CUP
	1	3A01000-023	STOPPER CUP ASSY.
7	1	4A01000-154	ASSY., BAGGAGE COVER
	1	4A01162-001	COVER, BAGGAGE
	1	4A01004-048	STIFFENER, HORIZ.
	2	4A01004-067	STIFFENER, HORIZ.
	2	4A01004-049	STIFFENER, VERT.
	1	3A01525-003	LOCK SPRING
	1	3A01702-004	BAGGAGE LATCH CATCH
	1	9-0177A221	RING, OPENING
	1	3A01206-001	RETAINER, LOCK

PARTS MANUAL
4000 FLOATS ON CESSNA 185 & 206 SERIES

ITEM	QTY	PART NO.	PART DESCRIPTION
	1	3A01273-002	LOCK
	1	4A01162-004	LIP, BAGGAGE
	1	4A01000-235/236	FLOOR, BAGGAGE ASSEMBLY
	1	4A01000-184	HINGE ASSY.
	1	4A01740-003	HINGE
	1	4A01741-003	HINGE

PUMPOUT CUP AND TUBE



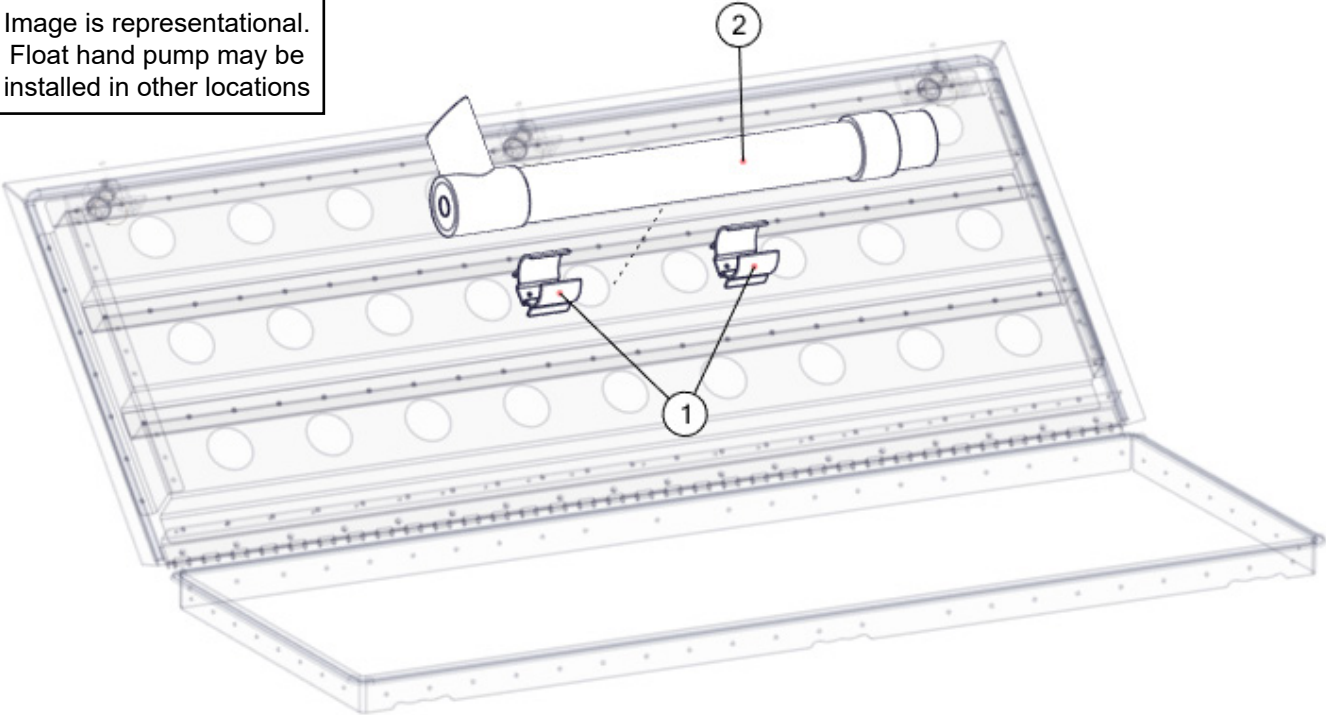
PARTS MANUAL
4000 FLOATS ON CESSNA 185 & 206 SERIES

ITEM	QTY	PART NO.	PART DESCRIPTION	NOTE
1	1	1011004	ASSEMBLY, CUP, PUMPOUT, DUCKBILL	
2	1	1011075	KIT, PUMPOUT PLUG, DUCKBILL	1
3	1	1011870	VALVE, DUCKBILL	
4	1	1011808	RETAINER, VALVE, DUCKBILL, PUMPOUT PLUG	
5	1	91590A129	RETAINING RING, EXTERNAL, 13/16 OD, STAINLESS	
6	1	3A01158-003	CLAMP, PUMP OUT TUBE	
7	1	4A01749-001	CUP, PUMP OUT	
8	1	57134	CLAMP	
9	1	2111	STOPPER, PUMPOUT, LAKE AND AIR	2
10	A/R	RM618	TUBE, 5/8 OD, 1/2 ID	3
	24.5 IN	RM618	PUMPOUT TUBE STA. #3	
	27 IN	RM618	PUMPOUT TUBE STA. #5	
	29.75 IN	RM618	PUMPOUT TUBE STA. #8	
	19.5 IN	RM618	PUMPOUT TUBE STA. WW	
	33.5 IN	RM618	PUMPOUT TUBE STA. #9	
	16.5 IN	RM618	PUMPOUT TUBE STA.#10	
	11 IN	RM618	PUMPOUT TUBE STA.#11	
11	1	3A01650-002	CUP, PUMPOUT, PLASTIC	
12	1	3A01158-005	RING, PUMP OUT CUP, REINFORCEMENT	

1. Parts kit that requires RTV adhesive, see service letter 240 for instructions.
2. Not compatible with 1011004.
3. Length in feet as required, see tube table for individual lengths.

FLOAT HAND PUMP

Image is representational.
 Float hand pump may be
 installed in other locations



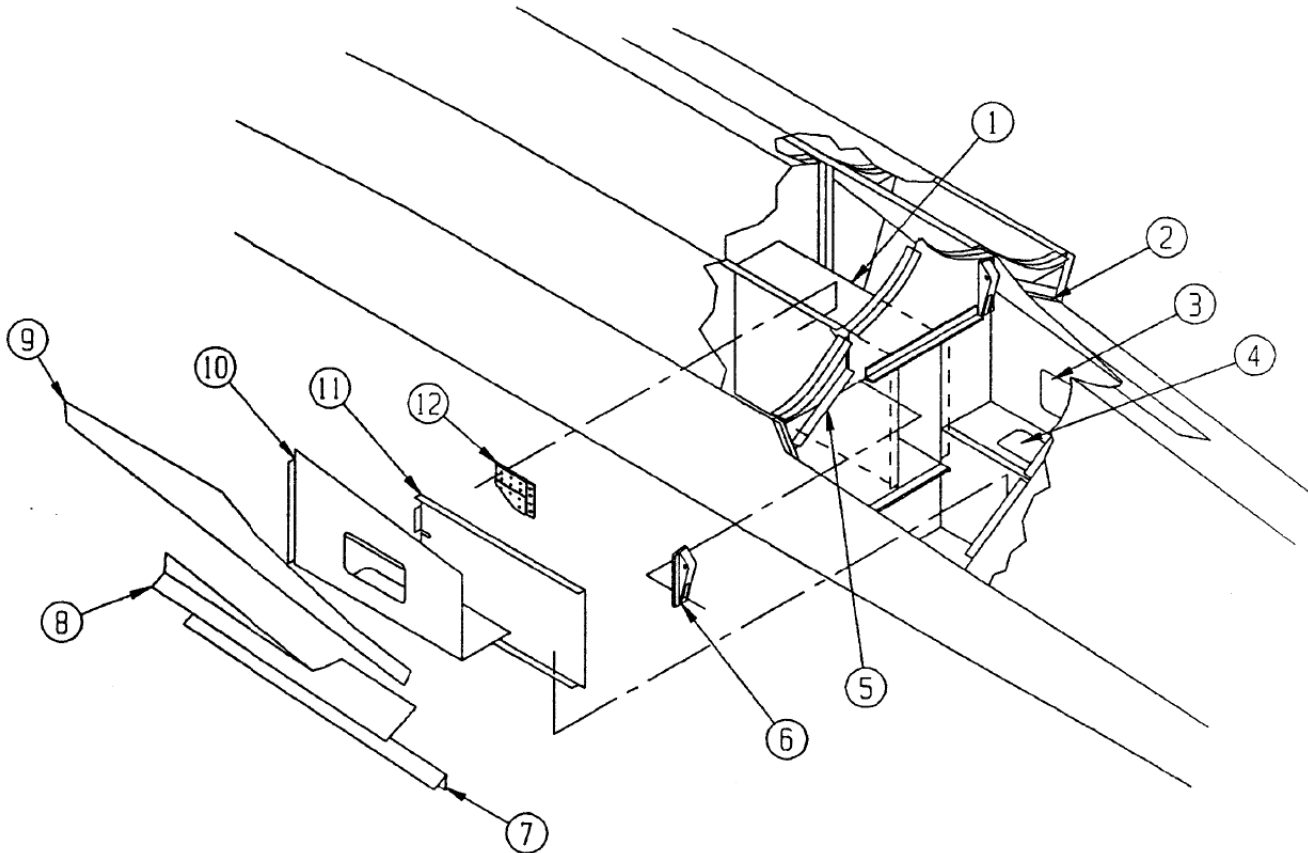
ITEM	QTY	PART NO.	PART DESCRIPTION
1	2	CM-2	CLIP, PLASTIC, PUMPOUT (SCREWS INCLUDED, MAY BE RIVETED IN)
2	1	F15PX	PUMP, HAND, FLOAT, 15"
2 (ALT)	1	F24PX	PUMP, HAND, FLOAT, 24"
2 (ALT)	1	F36PX	PUMP, HAND, FLOAT, 36"

SECTION 4 WHEEL WELL ASSEMBLY

CONTENTS

WHEEL WELL AREA38

WHEEL WELL AREA



ITEM	QTY	PART NO.	PART DESCRIPTION
1	1	4A01000-149	ASSY., TUNNEL
	1	4A01158-074	TUNNEL
	2	4A01340-029	ANGLE, TUNNEL
	1	6A01201-001	FTG., END CAP
	1	6A01005-062	COVER, TUNNEL, TOP FT.
	1	4A01005-195	COVER, TUNNEL, TOP RR.
	1	4A01005-194	COVER, TUNNEL, FT.
	1	6A01005-054	COVER, TUNNEL
	A/R	AN526-632R4	SCREW
2	1	4A01005-200	ANGLE-AFT. SKIN OUTSIDE RT. FLT.
	1	4A01005-201	ANGLE-AFT. SKIN OUTSIDE LT. FLT.
3	2	3A01002-021	COVER, W.W. ACCESS, LG.
	A/R	AN526-632R4	SCREW
	2	4A01156-060	REINFORCEMENT
4	2	6A01158-157	COVER, W.W. ACCESS, SM.
	A/R	AN526-632R4	SCREW

PARTS MANUAL
4000 FLOATS ON CESSNA 185 & 206 SERIES

ITEM	QTY	PART NO.	PART DESCRIPTION
	2	6A01156-014	REINFORCEMENT
5	1	4A01008-088	ANGLE-AFT. SKIN INSIDE RT.
	1	4A01008-089	ANGLE-AFT. SKIN INSIDE LT.
6	1	4A05000-014	ASSY., TRUNNION MAIN GEAR, RT.
	1	4A05000-013	ASSY., TRUNNION MAIN GEAR, LT.
	A/R	05DU-06	BEARING
7	2	4A01008-087	ANGLE-CARRY THRU STRAP
8	1	4A01002-114	DOUBLER-CARRY THRU STRAP, RT.
	1	4A01002-113	DOUBLER-CARRY THRU STRAP, LT.
9	2	4A01003-071	STRAP-CARRY THRU
10	1	4A01000-148	ASSY., MAIN PANEL, W.W., RT.
	1	4A01000-147	ASSY., MAIN PANEL, W.W., LT.
	1	4A01158-142	MAIN PANEL, RT.
	1	4A01158-141	MAIN PANEL, LT.
	1	4A01156-060	REINF., SM. COVER HOLE
	1	6A01156-014	REINF., LG. COVER HOLE
11	1	4A01000-158	ASSY., SIDE, W.W., RT.
	1	4A01000-157	ASSY., SIDE, W.W., LT.
	1	4A01158-078	W.W., SIDE, RT.
	1	4A01158-077	W.W., SIDE, LT.
	1	4A01359-112	ANGLE, W.W. SUPPORT, RT.
	1	4A01359-111	ANGLE, W.W. SUPPORT, LT.
12	1	4A01300-001	GUSSET-SISTER KEEL TO STEP, RT.
	1	4A01300-002	GUSSET-SISTER KEEL TO STEP LT.

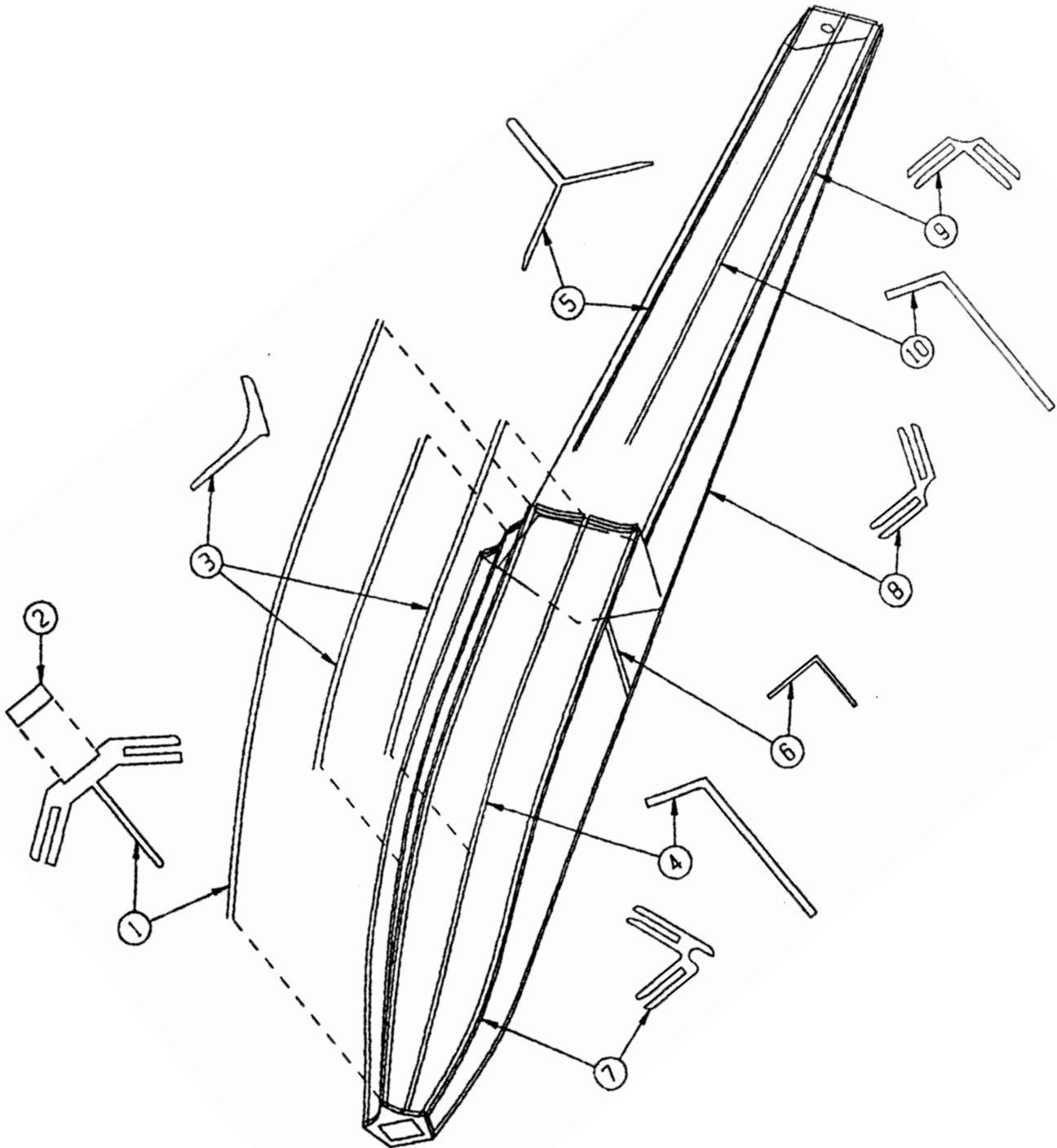
THIS PAGE INTENTIONALLY LEFT BLANK

SECTION 5 EXTRUSIONS & STIFFENERS

CONTENTS

HULL EXTRUSIONS & STIFFENERS – AMPHIBIAN	42
HULL EXTRUSIONS & STIFFENERS – SEAPLANE	44

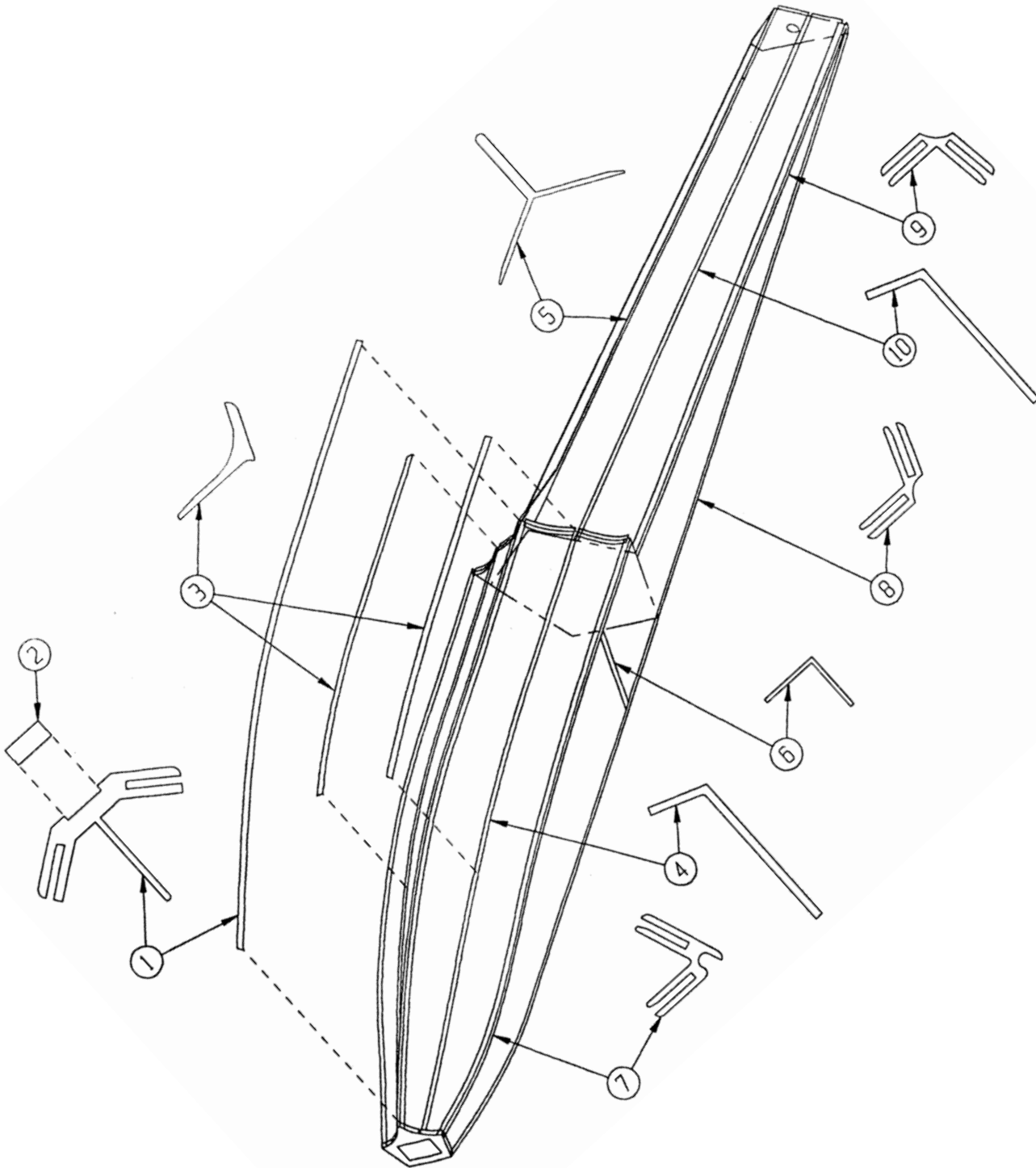
HULL EXTRUSIONS & STIFFENERS – AMPHIBIAN



PARTS MANUAL
4000 FLOATS ON CESSNA 185 & 206 SERIES

ITEM	QTY	PART NO.	PART DESCRIPTION
1	1	4A01354-007	KEEL, MAIN
2	1	3A01200-001	WEAR STRIP, KEEL
3	1	4A01342-008	SISTER KEEL, OUTSIDE RT.
	1	4A01342-007	SISTER KEEL, OUTSIDE LT.
4	1	4A01361-028	SISTER KEEL, INSIDE, FWD. RT.
	1	4A01361-029	SISTER KEEL, INSIDE, FWD. LT.
5	1	4A01347-007	KEEL, AFT.
6	1	4A01340-060	STIFFENER, SIDE SKIN VERT., RT., 8 11/16"
	1	4A01340-061	STIFFENER, SIDE SKIN VERT., LT., 8 11/16"
	6	4A01340-065	STIFFENER, SIDE SKIN VERT., LT., 22 3/8"
	1	4A01340-066	STIFFENER, SIDE SKIN VERT., RT., 7 3/4"
	1	4A01340-067	STIFFENER, SIDE SKIN VERT., LT., 7 3/4"
	1	4A01340-068	STIFFENER, SIDE SKIN VERT., RT., 8 7/8"
	1	4A01340-069	STIFFENER, SIDE SKIN VERT., LT., 8 7/8"
	1	4A01340-070	STIFFENER, SIDE SKIN VERT., RT., 10 1/32"
	1	4A01340-071	STIFFENER, SIDE SKIN VERT., LT., 10 1/32"
	1	4A01340-072	STIFFENER, SIDE SKIN VERT., RT., 11 3/8"
	1	4A01340-073	STIFFENER, SIDE SKIN VERT., LT., 11 3/8"
	1	4A01340-074	STIFFENER, SIDE SKIN VERT., RT., 12 13/32"
	1	4A01340-075	STIFFENER, SIDE SKIN VERT., LT., 12 13/32"
	1	4A01340-076	STIFFENER, SIDE SKIN VERT., RT., 13 5/8"
	1	4A01340-077	STIFFENER, SIDE SKIN VERT., LT., 13 5/8"
	1	4A01340-078	STIFFENER, SIDE SKIN VERT., RT., 14 11/16"
	1	4A01340-079	STIFFENER, SIDE SKIN VERT., LT., 14 11/16"
	1	4A01340-080	STIFFENER, SIDE SKIN VERT., RT., 15 27/32"
	1	4A01340-081	STIFFENER, SIDE SKIN VERT., LT., 15 27/32"
	1	4A01340-082	STIFFENER, SIDE SKIN VERT., RT., 17 1/8"
	1	4A01340-083	STIFFENER, SIDE SKIN VERT., LT., 17 1/8"
	1	4A01340-084	STIFFENER, SIDE SKIN VERT., RT., 17 3/4"
	1	4A01340-085	STIFFENER, SIDE SKIN VERT., LT., 17 3/4"
	1	4A01340-086	STIFFENER, SIDE SKIN VERT., RT., 20 11/16"
	1	4A01340-087	STIFFENER, SIDE SKIN VERT., LT., 20 11/16"
7	1	4A01331-002	CHINE, FT., RT.
	1	4A01331-001	CHINE, FT., LT.
8	1	4A01330-002	GUNWALL, RT.
	1	4A01330-001	GUNWALL, LT.
9	1	4A01332-002	CHINE, AFT., RT.
	1	4A01332-001	CHINE, AFT., LT.
10	1	4A01361-034	SISTER KEEL, AFT., RT.
	1	4A01361-035	SISTER KEEL, AFT., LT.

HULL EXTRUSIONS & STIFFENERS – SEAPLANE



PARTS MANUAL
4000 FLOATS ON CESSNA 185 & 206 SERIES

ITEM	QTY	PART NO.	PART DESCRIPTION
1	1	4S01354-008	KEEL, MAIN
2	1	6S01200-002	WEAR STRIP, KEEL
3	1	4A01342-008	SISTER KEEL, OUTSIDE RT.
	1	4A01342-007	SISTER KEEL, OUTSIDE LT.
4	1	4A01361-028	SISTER KEEL, INSIDE, FWD. RT.
	1	4A01361-029	SISTER KEEL, INSIDE, FWD. LT.
5	1	4S01347-008	KEEL, AFT.
6	1	4A01340-060	STIFFENER, SIDE SKIN VERT., RT., 8 11/16"
	1	4A01340-061	STIFFENER, SIDE SKIN VERT., LT., 8 11/16"
	6	4A01340-065	STIFFENER, SIDE SKIN VERT., 22 3/8"
	1	4A01340-066	STIFFENER, SIDE SKIN VERT., RT., 7 3/4"
	1	4A01340-067	STIFFENER, SIDE SKIN VERT., LT., 7 3/4"
	1	4A01340-068	STIFFENER, SIDE SKIN VERT., RT., 8 7/8"
	1	4A01340-069	STIFFENER, SIDE SKIN VERT., LT., 8 7/8"
	1	4A01340-070	STIFFENER, SIDE SKIN VERT., RT., 10 1/32"
	1	4A01340-071	STIFFENER, SIDE SKIN VERT., LT., 10 1/32"
	1	4A01340-072	STIFFENER, SIDE SKIN VERT., RT., 11 3/8"
	1	4A01340-073	STIFFENER, SIDE SKIN VERT., LT., 11 3/8"
	1	4A01340-074	STIFFENER, SIDE SKIN VERT., RT., 12 13/32"
	1	4A01340-075	STIFFENER, SIDE SKIN VERT., LT., 12 13/32"
	1	4A01340-076	STIFFENER, SIDE SKIN VERT., RT., 13 5/8"
	1	4A01340-077	STIFFENER, SIDE SKIN VERT., LT., 13 5/8"
	1	4A01340-078	STIFFENER, SIDE SKIN VERT., RT., 14 11/16"
	1	4A01340-079	STIFFENER, SIDE SKIN VERT., LT., 14 11/16"
	1	4A01340-080	STIFFENER, SIDE SKIN VERT., RT., 15 27/32"
	1	4A01340-081	STIFFENER, SIDE SKIN VERT., LT., 15 27/32"
	1	4A01340-082	STIFFENER, SIDE SKIN VERT., RT., 17 1/8"
	1	4A01340-083	STIFFENER, SIDE SKIN VERT., LT., 17 1/8"
	1	4A01340-084	STIFFENER, SIDE SKIN VERT., RT., 17 3/4"
	1	4A01340-085	STIFFENER, SIDE SKIN VERT., LT., 17 3/4"
	1	4A01340-086	STIFFENER, SIDE SKIN VERT., RT., 20 11/16"
	1	4A01340-087	STIFFENER, SIDE SKIN VERT., LT., 20 11/16"
7	1	4A01331-002	CHINE, FT., RT.
	1	4A01331-001	CHINE, FT., LT.
8	1	4A01330-002	GUNWALL, RT.
	1	4A01330-001	GUNWALL, LT.
9	1	4A01332-002	CHINE, AFT., RT.
	1	4A01332-001	CHINE, AFT., LT.
10	1	4S01361-032	SISTER KEEL, AFT., RT.
	1	4S01361-033	SISTER KEEL, AFT., LT.

THIS PAGE INTENTIONALLY LEFT BLANK

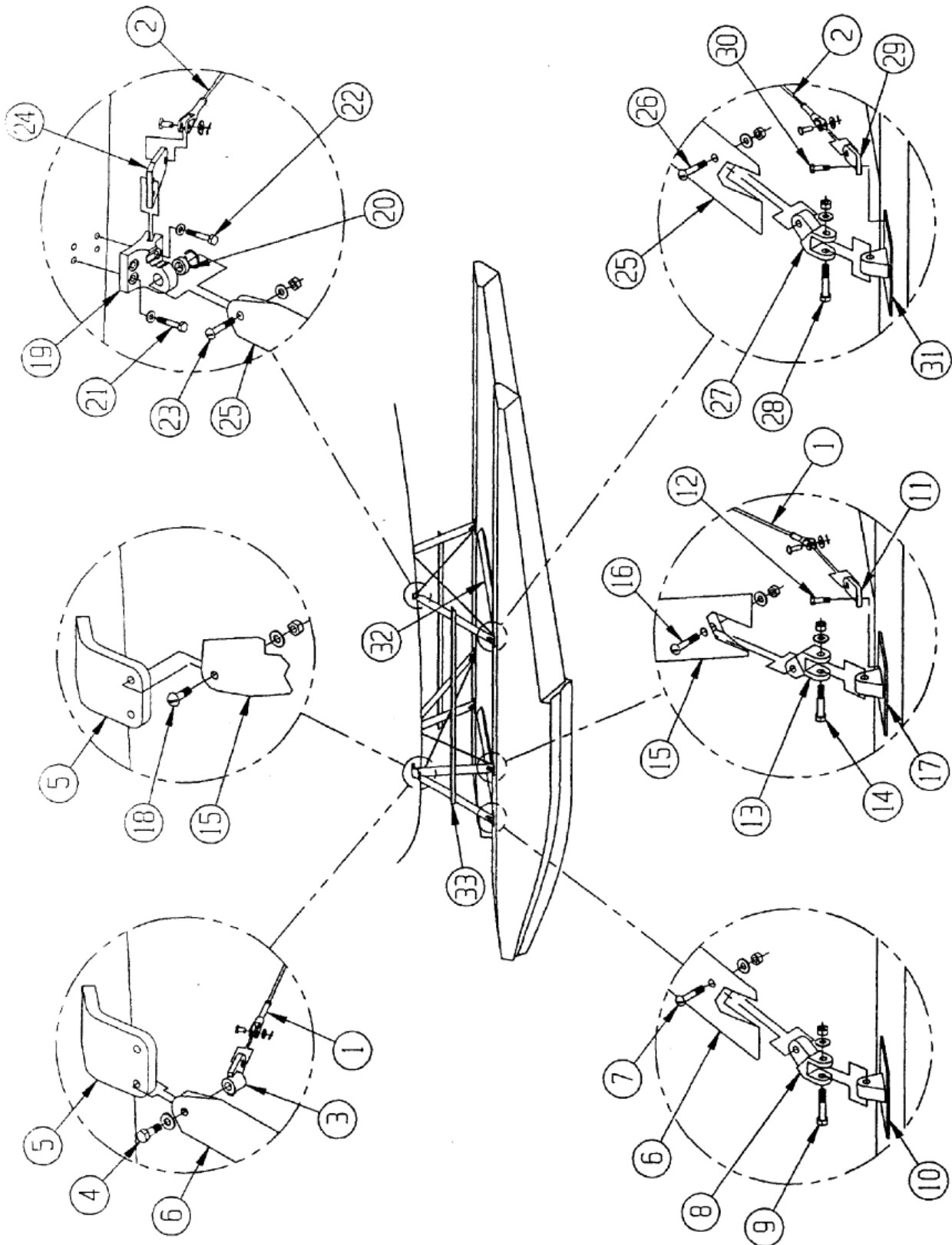
SECTION 6

STRUTS, STEPS & SPREADER BARS

CONTENTS

STRUTS, STEPS, DRAG WIRES & SPREADER BARS - CESSNA 185.....	48
STRUTS, STEPS, DRAG WIRES & SPREADER BARS - CESSNA 206.....	52

STRUTS, STEPS, DRAG WIRES & SPREADER BARS - CESSNA 185



PARTS MANUAL
4000 FLOATS ON CESSNA 185 & 206 SERIES

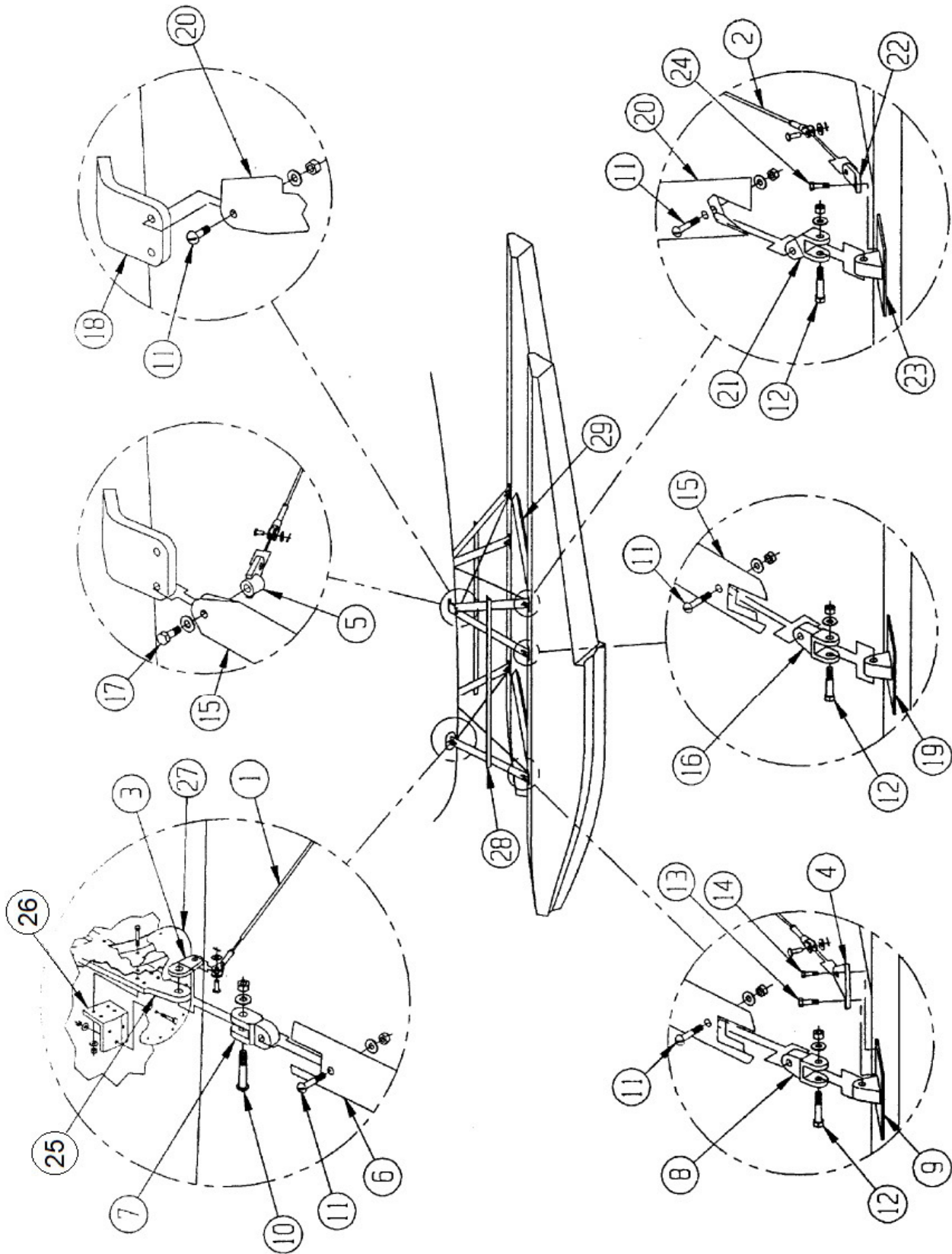
ITEM	QTY	PART NO.	PART DESCRIPTION
-	1	4A02000-100	ASSY., STRUT SYSTEM, COMPLETE, 185
1	2	4A02000-069	ASSY., DRAG WIRE FT.
	1	AN676AC-6656	WIRE
	1	AN665-80RAS	TERMINAL, RT. ("S" DENOTES STAINLESS STEEL)
	1	AN665-80LAS	TERMINAL, LT. ("S" DENOTES STAINLESS STEEL)
	1	AN316-C6R	CHECK NUT, RT.
	1	AN316-C6L	CHECK NUT, LT.
	2	MS20392-5C21	PIN, CLEVIS
	2	NAS1149F0632P	WASHER, 0.39 ID, 0.032 THK, STEEL
	2	MS24665-301	PIN-COTTER
2	2	.4A02000-070	ASSY., DRAG WIRE, RR.
	1	AN677AC-5775	WIRE
	1	AN665-115RS	TERMINAL, RT. ("S" DENOTES STAINLESS STEEL)
	1	AN665-115LS	TERMINAL, LT. ("S" DENOTES STAINLESS STEEL)
	1	AN316-C7R	CHECK NUT, RT.
	1	AN316-C7L	CHECK NUT, LT.
	2	MS20392-6C25	PIN, CLEVIS
	2	NAS1149F0716P	WASHER
	2	MS24665-370	PIN-COTTER
3	1	4A02000-072	ASSY. FTG. RT. DRAG WIRE
	1	4A02000-071	ASSY. FTG. LT. DRAG WIRE
4	2	AN7-21A	BOLT, 7/16-20 THREAD, 1-9/16" GRIP, 2-7/32" LENGTH
	A/R	NAS1149F0763P	WASHER, 0.453 ID, 0.063 THK, STEEL
5	1	4A02062-006	TONGUE-STRUT ATTACH FUS. RT.
	1	4A02062-005	TONGUE-STRUT ATTACH FUS. LT.
6	1	4A02333-008	STRUT, FT. RT.
	1	4A02333-007	STRUT, FT. LT.
7	2	AN27-29A	BOLT
	A/R	NAS1149F0763P	WASHER, 0.453 ID, 0.063 THK, STEEL
	2	MS20364-720	NUT
8	2	4A02185-003	FTG. FT. STRUT, LWR.
9	2	AN7-21A	BOLT, 7/16-20 THREAD, 1-9/16" GRIP, 2-7/32" LENGTH
	A/R	NAS1149F0763P	WASHER, 0.453 ID, 0.063 THK, STEEL
	2	MS20365-720A	NUT, SELF LOCKING
10	2	4A02222-001	FTG., FT. STRUT, DECK
	10	AN3-5A	BOLT, 10-32, 0.25 GRIP, UNDRILLED, STEEL
	A/R	NAS1149F0363P	WASHER, 0.203 ID, 0.063 THK, STEEL
	10	MS21044N3	NUT, LOCKING, REGULAR HEIGHT, 10-32 UNF
	1	AN6-42A	BOLT, STEEL, 3/8-24 THREAD, GRIP 3.688"
	A/R	NAS1149F0663P	WASHER, 0.39 ID, 0.063 THK, STEEL
	1	MS21044N6	NUT, LOCKING, REGULAR HEIGHT, 3/8-24 UNF

ITEM	QTY	PART NO.	PART DESCRIPTION
11	2	4A02491-001	FTG., DRAG WIRE, FT. LWR.
12	2	AN6-45A	BOLT, 3/8-24 THREAD, 3-15/16" GRIP, 4-37/64 LENGTH
	A/R	NAS1149F0663P	WASHER, 0.39 ID, 0.063 THK, STEEL
	2	MS21044N6	NUT, LOCKING, REGULAR HEIGHT, 3/8-24 UNF
13	2	4A02185-002	FTG., CTR. STRUT LWR.
14	2	AN7-21A	BOLT, 7/16-20 THREAD, 1-9/16" GRIP, 2-7/32" LENGTH
	A/R	NAS1149F0763P	WASHER, 0.453 ID, 0.063 THK, STEEL
	2	MS20365-720A	NUT, SELF LOCKING
15	1	4A02333-010	STRUT CTR. RT.
	1	4A02333-009	STRUT CTR. LT.
16	2	AN27-29A	BOLT
	A/R	NAS1149F0763P	WASHER, 0.453 ID, 0.063 THK, STEEL
	2	MS20364-720	NUT
17	2	4A02222-001	FTG., CTR. STRUT, DECK
	10	AN3-5A	BOLT, 10-32, 0.25 GRIP, UNDRILLED, STEEL
	A/R	NAS1149F0363P	WASHER, 0.203 ID, 0.063 THK, STEEL
	10	MS21044N3	NUT, LOCKING, REGULAR HEIGHT, 10-32 UNF
	2	AN6-42A	BOLT, STEEL, 3/8-24 THREAD, GRIP 3.688"
	A/R	NAS1149F0663P	WASHER, 0.39 ID, 0.063 THK, STEEL
	2	MS21044N6	NUT, LOCKING, REGULAR HEIGHT, 3/8-24 UNF
18	2	AN26-29A	BOLT, CLEVIS, 3/8-24 THREAD, 1-1/2" GRIP, 1-55/64" LENGTH
	A/R	NAS1149F0663P	WASHER, 0.39 ID, 0.063 THK, STEEL
	2	MS21083N6	NUT, LOCKING, LOW HEIGHT, 3/8-24 UNF
19	1	4A02370-002	FTG. AFT STRUT UPR. RT.
	1	4A02370-001	FTG. AFT STRUT UPR. LT.
20	2	COMM-8	BEARING
	2	N5000-100H	RETAINING RING
21	2	AN5-12A	BOLT SIZE 5/16-24, LNGTH +/- 1/64 - 1-11/32, GRIP LNGTH 13/16
	2	AN5-17A	BOLT, 5/16-24, 1.4375 GRIP, UNDRILLED, STEEL
	A/R	NAS1149F0563P	WASHER, 0.328 ID, 0.063 THK, STEEL
	4	MS21044N5	NUT, LOCKING, REGULAR HEIGHT, 5/16-24 UNF
22	2	AN5-31A	BOLT, 5/16-24 THREAD, 2-11/16" GRIP, 3-7/32" LENGTH
	2	AN5-33A	BOLT, STEEL, 5/16-24 THREAD, 2.938" GRIP, 3.469" LENGTH
	A/R	NAS1149F0563P	WASHER, 0.328 ID, 0.063 THK, STEEL
	4	MS21044N5	NUT, LOCKING, REGULAR HEIGHT, 5/16-24 UNF
23	2	AN28-31A	BOLT
	A/R	NAS1149F0763P	WASHER, 0.453 ID, 0.063 THK, STEEL
	2	MS21083N8	NUT, 1/2-20 THREAD, LOW HEIGHT, NYLON INSERT, 250 DEG.
24	1	4A02079-004	FTG., DRAG WIRE RR. RT.
	1	4A02079-003	FTG., DRAG WIRE RR. LT.
25	1	4A02333-012	STRUT, RR. RT.

PARTS MANUAL
4000 FLOATS ON CESSNA 185 & 206 SERIES

ITEM	QTY	PART NO.	PART DESCRIPTION
	1	4A02333-011	STRUT, RR. LT.
26	2	AN27-29A	BOLT
	A/R	NAS1149F0763P	WASHER, 0.453 ID, 0.063 THK, STEEL
	2	MS20364-720	NUT
27	2	4A02229-002	FTG., RR. STRUT LWR.
28	2	AN7-21A	BOLT, 7/16-20 THREAD, 1-9/16" GRIP, 2-7/32" LENGTH
	A/R	NAS1149F0763P	WASHER, 0.453 ID, 0.063 THK, STEEL
	2	MS20365-720A	NUT, SELF LOCKING
29	2	4A02496-002	FTG., DRAG WIRE RR. LWR.
30	2	AN7-44A	BOLT, 7/16-20 THREAD, 3-15/16" GRIP, 4-19/32" LENGTH
	A/R	NAS1149F0763P	WASHER, 0.453 ID, 0.063 THK, STEEL
	2	MS20365-720A	NUT, SELF LOCKING
31	2	4A02222-001	FTG., AFT STRUT, DECK
	10	AN3-5A	BOLT, 10-32, 0.25 GRIP, UNDRILLED, STEEL
	A/R	NAS1149F0363P	WASHER, 0.203 ID, 0.063 THK, STEEL
	10	MS21044N3	NUT, LOCKING, REGULAR HEIGHT, 10-32 UNF
	1	AN6-42A	BOLT, STEEL, 3/8-24 THREAD, GRIP 3.688"
	A/R	NAS1149F0663P	WASHER, 0.39 ID, 0.063 THK, STEEL
	1	MS21044N6	NUT, LOCKING, REGULAR HEIGHT, 3/8-24 UNF
32	2	4A03335-001	SPR. BAR
	16	AN5-33A	BOLT, STEEL, 5/16-24 THREAD, 2.938" GRIP, 3.469" LENGTH
	A/R	NAS1149F0563P	WASHER, 0.328 ID, 0.063 THK, STEEL
	16	MS21044N5	NUT, LOCKING, REGULAR HEIGHT, 5/16-24 UNF
33	1	4A02369-008	STEP, RH (185, 206)
	1	4A02369-009	STEP, LH (185, 206)
	4	4A02602-005	SPACER
	4	AN3-22A	BOLT, 10-32, 1.875 GRIP, UNDRILLED, STEEL
	2	AN3-20A	BOLT, 10-32, 1.625 GRIP, UNDRILLED, STEEL
	A/R	NAS1149F0363P	WASHER, 0.203 ID, 0.063 THK, STEEL
	6	MS21044N3	NUT, LOCKING, REGULAR HEIGHT, 10-32 UNF

STRUTS, STEPS, DRAG WIRES & SPREADER BARS - CESSNA 206



PARTS MANUAL
4000 FLOATS ON CESSNA 185 & 206 SERIES

ITEM	QTY	PART NO.	PART DESCRIPTION
-	1	4A02000-200	ASSY., STRUT SYSTEM COMPLETE, 206
1	2	4A02000-059	ASSY., DRAG WIRE, FWD.
	1	AN676AC-6450	WIRE
	1	AN665-80R	TERMINAL, RT.
	1	AN665-80L	TERMINAL, LT.
	1	AN316-6R	CHECK NUT, RT.
	1	AN316-6L	CHECK NUT, LT.
	2	MS20392-5C21	PIN, CLEVIS
	2	NAS1149F0632P	WASHER, 0.39 ID, 0.032 THK, STEEL
	2	MS24665-283	PIN, COTTER
2	2	4A02000-058	ASSY., DRAG WIRE, RR.
	1	AN677AC-6475	WIRE
	1	AN665-115R	TERMINAL, RT.
	1	AN665-115L	TERMINAL, LT.
	1	AN316-7R	CHECK NUT, RT.
	1	AN316-7L	CHECK NUT, LT.
	2	MS20392-6C25	PIN, CLEVIS
	2	NAS1149F0716P	WASHER
	2	MS24665-283	PIN, COTTER
3	2	4A02496-001	FTG., DRAG WIRE, UPR. FWD.
4	2	3A3-1059	FTG., DRAG WIRE, LWR. FWD.
5	1	4A02000-073	FTG., DRAG WIRE, UPR. AFT. LT.
	1	4A02000-074	FTG., DRAG WIRE, UPR. AFT. RT.
6	1	4A02333-001	STRUT, FT. LT.
	1	4A02333-002	STRUT, FT. RT.
7	2	4A02225-001	FTG., FT. STRUT UPR.
8	2	4A02225-002	FTG., FT. STRUT LWR.
9	2	4A02222-001	FTG., STRUT TO FLOAT DECK
	9	AN3-5A	BOLT, 10-32, 0.25 GRIP, UNDRILLED, STEEL
	A/R	NAS1149F0363P	WASHER, 0.203 ID, 0.063 THK, STEEL
	9	MS21044N3	NUT, LOCKING, REGULAR HEIGHT, 10-32 UNF
	1	AN6-42A	BOLT, STEEL, 3/8-24 THREAD, GRIP 3.688"
	A/R	NAS1149F0663P	WASHER, 0.39 ID, 0.063 THK, STEEL
	1	MS21044N6	NUT, LOCKING, REGULAR HEIGHT, 3/8-24 UNF
10	2	AN28-30A	BOLT, CLEVIS
	2	NAS1149F0763P	WASHER, 0.453 ID, 0.063 THK, STEEL
	2	MS21083N8	NUT, 1/2-20 THREAD, LOW HEIGHT, NYLON INSERT, 250 DEG.
11	10	AN7-20A	BOLT, 7/16-20 THREAD, 1-7/16" GRIP, 2-3/32" LENGTH
	10	NAS1149F0763P	WASHER, 0.453 ID, 0.063 THK, STEEL
	10	MS20364-720	NUT
12	6	AN7-21A	BOLT, 7/16-20 THREAD, 1-9/16" GRIP, 2-7/32" LENGTH

ITEM	QTY	PART NO.	PART DESCRIPTION
	6	NAS1149F0763P	WASHER, 0.453 ID, 0.063 THK, STEEL
	6	MS20365-720A	NUT, SELF LOCKING
13	2	AN6-44A	EYE BOLT
	A/R	NAS1149F0663P	WASHER, 0.39 ID, 0.063 THK, STEEL
	2	MS21044N6	NUT, LOCKING, REGULAR HEIGHT, 3/8-24 UNF
14	2	AN4-10A	BOLT, 1/4-28, 0.5625 GRIP, UNDRILLED, STEEL
	2	NAS1149F0463P	WASHER, 0.265 ID, 0.063 THK, STEEL
	2	MS21044N4	NUT, LOCKING, REGULAR HEIGHT, 1/4-28 UNF
15	1	4A02333-003	STRUT, CTR., LT.
	1	4A02333-004	STRUT, CTR., RT.
16	2	4A02229-001	FTG., CTR. STRUT, LWR.
17	2	AN8-21A	BOLT, 1/2-20 THREAD, 1-7/16" GRIP, 2-7/32" LENGTH
	2	NAS1149F0763P	WASHER, 0.453 ID, 0.063 THK, STEEL
18	1	4A02062-003	TONGUE, AFT. STRUT UPR., FUS. LT.
	1	4A02062-004	TONGUE, AFT. STRUT UPR., FUS. RT.
19	2	4A02222-001	FTG., CTR STRUT TO FLOAT DECK
	10	AN3-5A	BOLT, 10-32, 0.25 GRIP, UNDRILLED, STEEL
	A/R	NAS1149F0363P	WASHER, 0.203 ID, 0.063 THK, STEEL
	10	MS21044N3	NUT, LOCKING, REGULAR HEIGHT, 10-32 UNF
	2	AN6-42A	BOLT, STEEL, 3/8-24 THREAD, GRIP 3.688"
	A/R	NAS1149F0663P	WASHER, 0.39 ID, 0.063 THK, STEEL
	2	MS21044N6	NUT, LOCKING, REGULAR HEIGHT, 3/8-24 UNF
20	1	4A02333-005	STRUT, AFT. LT.
	1	4A02333-006	STRUT, AFT. RT.
21	2	4A02185-001	FTG., AFT. STRUT, LWR.
22	2	4A02496-002	FTG., DRAG WIRE, AFT., LWR.
23	2	4A02222-001	FTG., AFT. STRUT TO FLOAT DECK
	10	AN3-5A	BOLT, 10-32, 0.25 GRIP, UNDRILLED, STEEL
	A/R	NAS1149F0363P	WASHER, 0.203 ID, 0.063 THK, STEEL
	10	MS21044N3	NUT, LOCKING, REGULAR HEIGHT, 10-32 UNF
	1	AN6-42A	BOLT, STEEL, 3/8-24 THREAD, GRIP 3.688"
	A/R	NAS1149F0663P	WASHER, 0.39 ID, 0.063 THK, STEEL
	2	MS21044N6	NUT, LOCKING, REGULAR HEIGHT, 3/8-24 UNF
24	2	AN6-43A	BOLT, 3/8-24 THREAD, 3-13/16" GRIP, 4-29/64 LENGTH
	A/R	NAS1149F0663P	WASHER, 0.39 ID, 0.063 THK, STEEL
	2	MS21044N6	NUT, LOCKING, REGULAR HEIGHT, 3/8-24 UNF
25	2	4A02078-001	FTG., FUS., FT. STRUT
	13	AN3-6A	BOLT, 10-32, 0.375 GRIP, UNDRILLED, STEEL
	2	AN3-7A	BOLT, 10-32, 0.5 GRIP, UNDRILLED, STEEL
	4	AN3-11A	BOLT, 10-32, 0.75 GRIP, UNDRILLED, STEEL
	A/R	NAS1149F0363P	WASHER, 0.203 ID, 0.063 THK, STEEL

PARTS MANUAL
4000 FLOATS ON CESSNA 185 & 206 SERIES

ITEM	QTY	PART NO.	PART DESCRIPTION
	19	MS21044N3	NUT, LOCKING, REGULAR HEIGHT, 10-32 UNF
26	1	4A02192-003	ANGLE, COWL TO FTG., LT.
	1	4A02192-004	ANGLE, COWL TO FTG., RT.
	1	4A02192-005	ANGLE, COWL TO FIREWALL, SOLOY, LT.
	1	4A02192-006	ANGLE, COWL TO FIREWALL, SOLOY, RT.
27	1	4A12005-208	DOUBLER, FUS., RT. (COVER)
	1	4A12005-209	DOUBLER, FUS., LT. (COVER)
28	1	4A02369-006	STEP, RH (206)
	1	4A02369-007	4A02369-007
	3	AN3-20A	BOLT, 10-32, 1.625 GRIP, UNDRILLED, STEEL
	A/R	NAS1149F0363P	WASHER, 0.203 ID, 0.063 THK, STEEL
	3	MS21044N3	NUT, LOCKING, REGULAR HEIGHT, 10-32 UNF
29	2	4A03335-001	SPR. BAR
	16	AN5-33A	BOLT, STEEL, 5/16-24 THREAD, 2.938" GRIP, 3.469" LENGTH
	A/R	NAS1149F0563P	WASHER, 0.328 ID, 0.063 THK, STEEL
	16	MS21083N5	NUT, LOCKING, LOW HEIGHT, 5/16-24 UNF

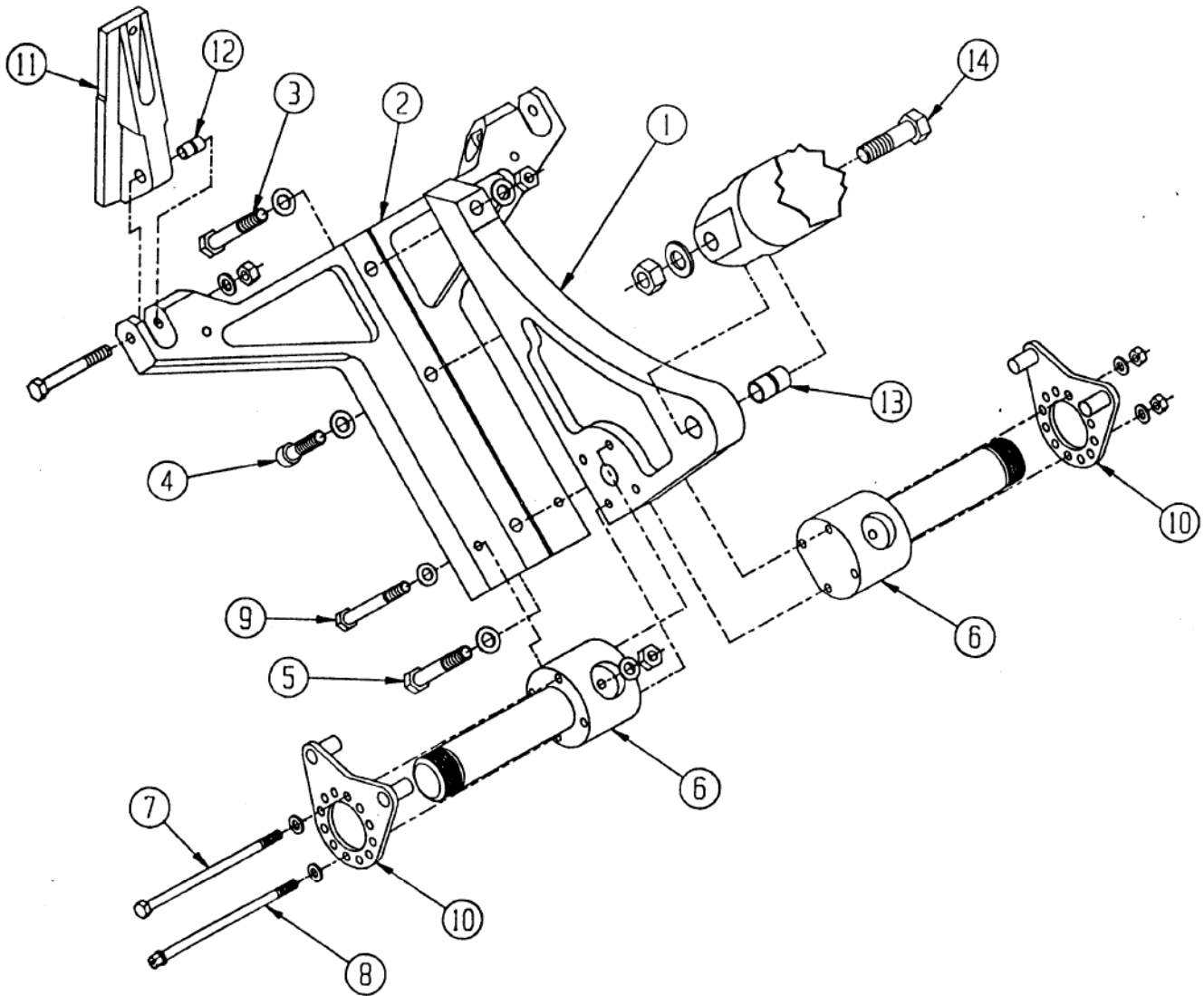
THIS PAGE INTENTIONALLY LEFT BLANK

SECTION 7 LANDING GEAR

CONTENTS

MAIN GEAR AXLE ASSEMBLY	58
MAIN GEAR OLEO SHOCK STRUT ASSEMBLY	60
MAIN GEAR WHEEL ASSEMBLY	62
MAIN GEAR RETRACTION ASSEMBLY	65
NOSE GEAR WHEEL ASSEMBLY	68
NOSE WHEEL ASSEMBLY (GROVE).....	70
NOSE GEAR RETRACTION ASSEMBLY.....	72

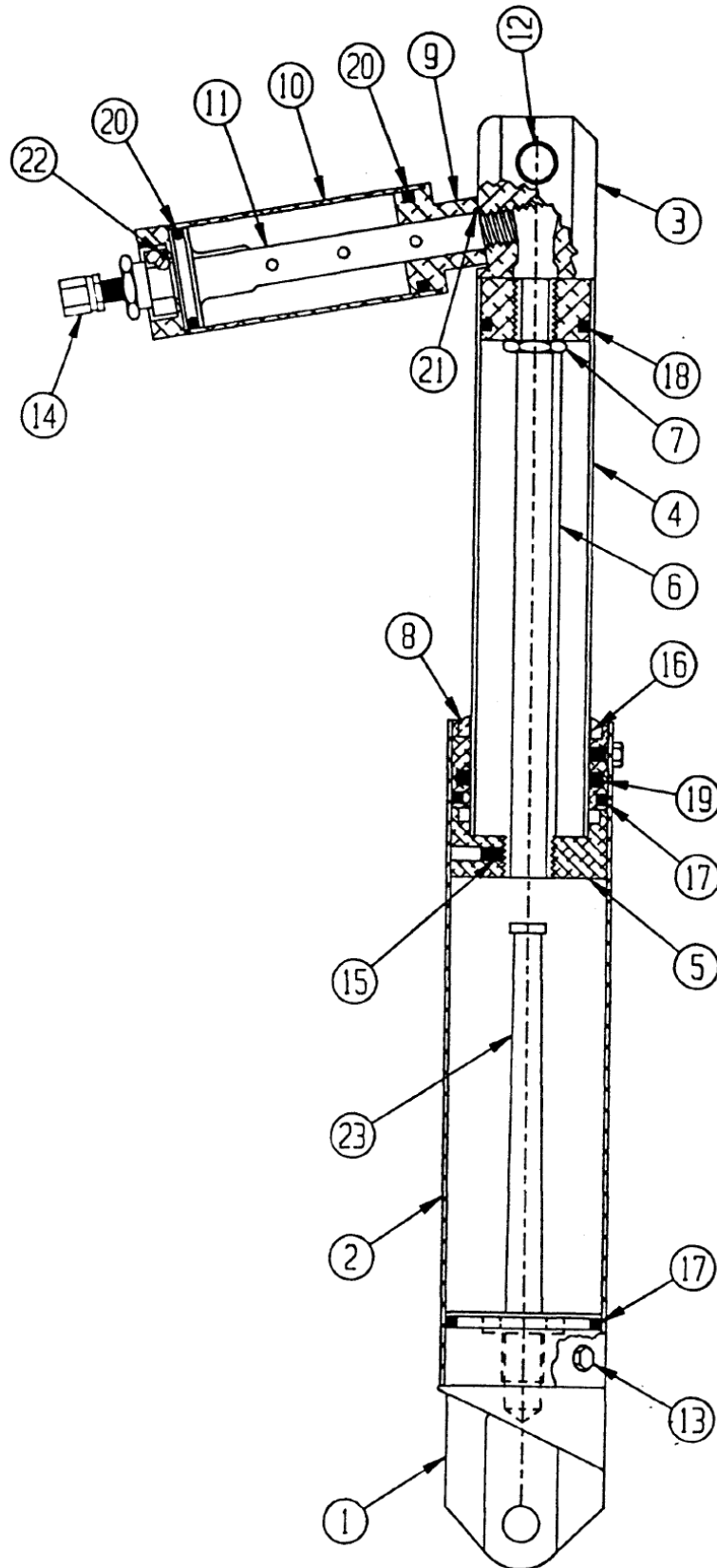
MAIN GEAR AXLE ASSEMBLY



PARTS MANUAL
4000 FLOATS ON CESSNA 185 & 206 SERIES

ITEM	QTY	PART NO.	PART DESCRIPTION
-	1	4A04000-035	ASSY., MAIN AXLE, COMPLETE
1	1	4A04189-005	MOUNT, AXLE
2	1	4A04189-006	SUPPORT, AXLE MOUNT
3	1	AN6-22A	BOLT, SUPPORT TO MOUNT ATTACH
	A/R	NAS1149F0663P	WASHER, 0.39 ID, 0.063 THK, STEEL
	1	MS21044N6	NUT, LOCKING, REGULAR HEIGHT, 3/8-24 UNF
4	1	MS16997-99	SOCKET HEAD CAP SCREW
	1	NAS1149F0663P	WASHER, 0.39 ID, 0.063 THK, STEEL
5	1	AN6-16A	BOLT, SUPPORT TO MOUNT ATTACH
	1	3A04518-002	BARREL NUT 3/8-24
	A/R	NAS1149F0663P	WASHER, 0.39 ID, 0.063 THK, STEEL
6	2	4A04086-002	AXLE, MAIN GEAR
7	3	AN4-53A	BOLT, AXLE ATTACH
	A/R	NAS1149F0663P	WASHER, 0.39 ID, 0.063 THK, STEEL
	3	MS21044N4	NUT, LOCKING, REGULAR HEIGHT, 1/4-28 UNF
8	1	NAS624-80	BOLT, 12 POINT, EXTERNAL WRENCHING, 1/2" DIA
	1	MS20002C4	WASHER - COUNTER SUNK
	1	NAS1149F0463P	WASHER, 0.265 ID, 0.063 THK, STEEL
	1	LH3849-048	NUT
9	2	AN5-30A	BOLT, 5/16-24, 2.5625 GRIP, UNDRILLED, STEEL
	A/R	NAS1149F0563P	WASHER, 0.328 ID, 0.063 THK, STEEL
	2	MS21044N5	NUT, LOCKING, REGULAR HEIGHT, 5/16-24 UNF
10	1	3A04711-001	TORQUE PLATE, BRAKE, LT.
	1	3A04711-002	TORQUE PLATE, BRAKE, RT.
11	1	4A05000-014	TRUNNION, RT.
	1	4A05000-013	TRUNNION, LT.
	2	AN4-10A	BOLT, 1/4-28, 0.5625 GRIP, UNDRILLED, STEEL
	A/R	NAS1149D0463J	WASHER, 0.265 ID, 0.063 THK, ALUMINUM
	2	MS21042-4	NUT, SELF LOCKING, 450°, 1/4-28 UNF
12	4	05DU06	BEARING, TRUNION
13	2	08DU08	BEARING, MOUNT
14	1	AN8-24A	BOLT, SHOCK STRUT ATTACH.
	A/R	NAS1149F0763P	WASHER, 0.453 ID, 0.063 THK, STEEL
	1	MS21083N8	NUT, 1/2-20 THREAD, LOW HEIGHT, NYLON INSERT, 250 DEG.
15	2	AN5-25A	BOLT, TRUNION SUPPORT AXLE MOUNT PIVOT
	4	NAS1149F0563P	WASHER, 0.328 ID, 0.063 THK, STEEL
	2	MS21044N5	NUT, LOCKING, REGULAR HEIGHT, 5/16-24 UNF

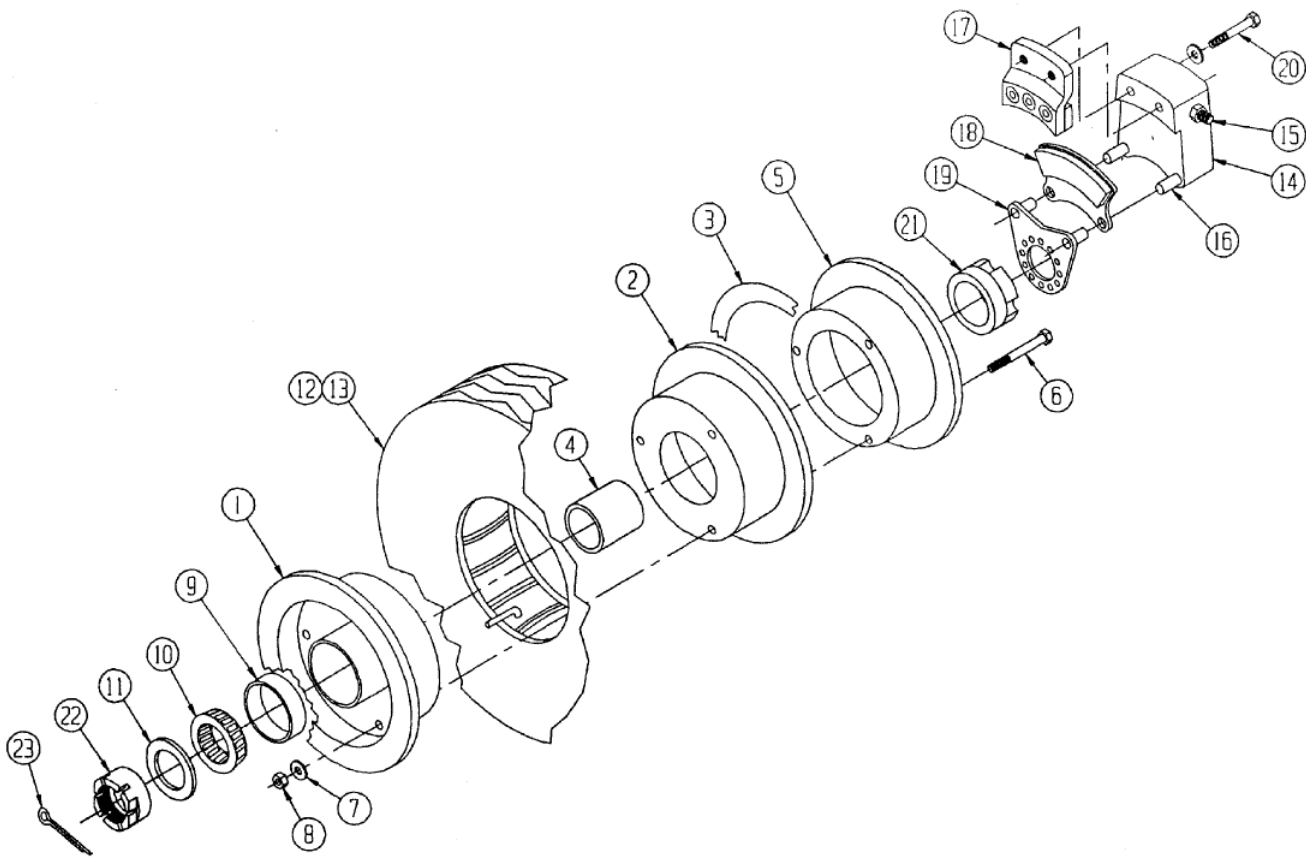
MAIN GEAR OLEO SHOCK STRUT ASSEMBLY



PARTS MANUAL
4000 FLOATS ON CESSNA 185 & 206 SERIES

ITEM	QTY	PART NO.	PART DESCRIPTION
-	1	4A04000-032	ASSY., OLEO SHOCK STRUT, COMPLETE
1	1	4A04277-002	BASE, SHOCK STRUT CYL.
2	1	4A04528-002	BODY, SHOCK STRUT
3	1	4A04251-001	TOP, SHOCK STRUT
4	1	4A04529-002	CYL., INNER
5	1	4A04250-001	PISTON
6	1	4A04273-005	METERING TUBE
7	1	AN924-8D	NUT, TUBE, 3/4-16 THREAD, ALUMINUM
8	1	4A04713-002	RETAINER, SHOCK STRUT
9	1	3A04089-003	END CAP, ACCUMULATOR
10	1	3A04118-001	BODY, ACCUMULATOR
11	1	3A04089-004	STEM AND END CAP
12	2	08DU08	BUSHING
13	8	4A04710-001	BOLT, SHOCK STRUT
	8	NAS1149F0432P	WASHER, 0.265 ID, 0.032 THK, STEEL
	8	MS35333-40	LOCK WASHER
14	1	MS28889-2	VALVE
15	1	AN565D6H4	SET SCREW
16	1	8881310	WIPER
17	2	MS28775-225	O RING, DIA 1.85, AN6230-3
18	1	MS28775-218	O RING, DIA 1.234
19	1	MS28775-326	O RING, DIA 1.6, AN6227-25
20	2	MS28775-216	O RING, DIA 1.109
21	1	MS28775-112	O RING, DIA 0.487, AN6227-10
22	1	MS28775-015	O RING, DIA 0.551
23	1	4A04258-005	ROD, METERING
24	1	AN8-30A	UPPER MOUNTING BOLT

MAIN GEAR WHEEL ASSEMBLY



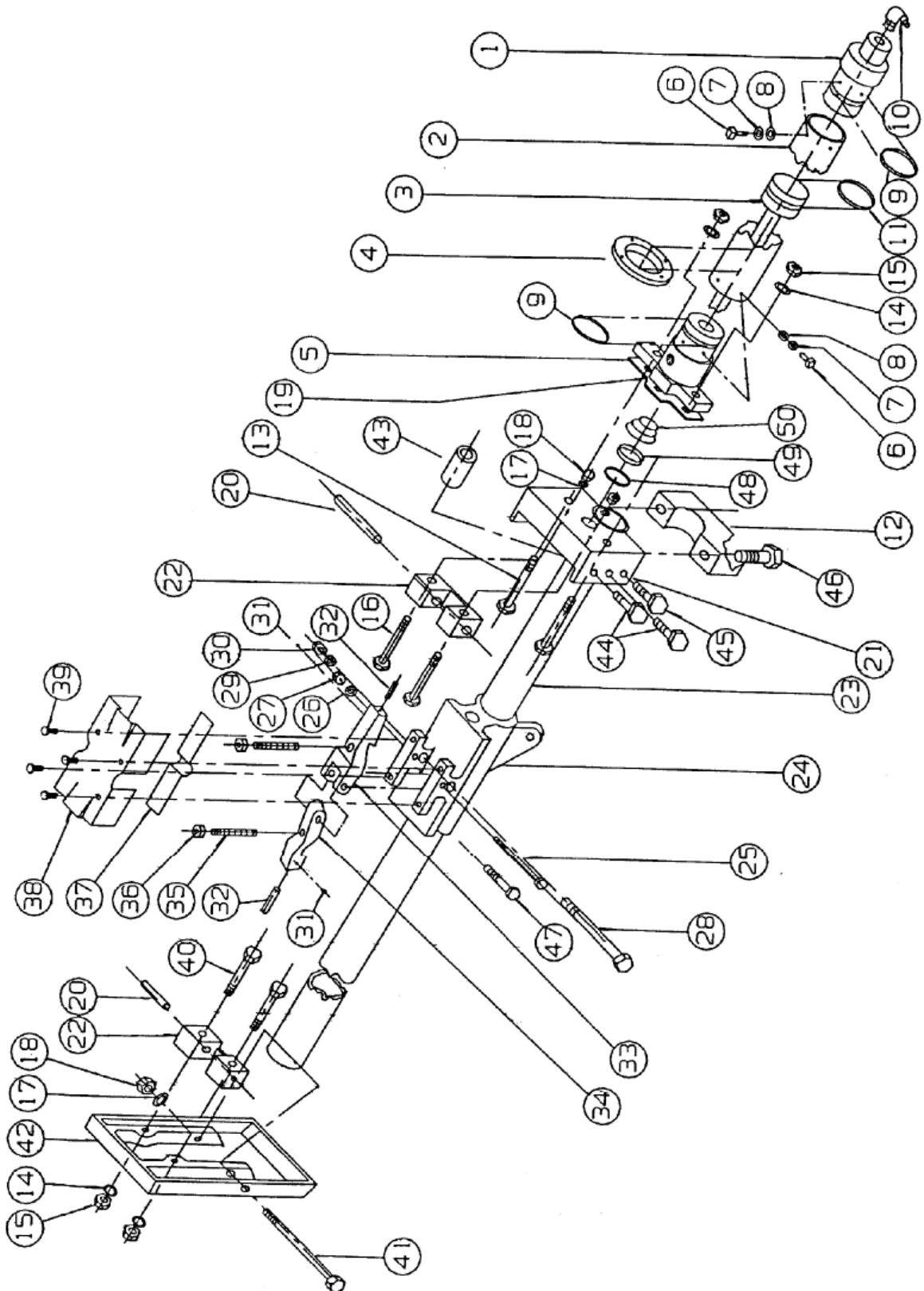
PARTS MANUAL
4000 FLOATS ON CESSNA 185 & 206 SERIES

ITEM	QTY	PART NO.	PART DESCRIPTION
-	1	3A04000-053	ASSY., WHEEL
1	1	3A04717-001	WHEEL HALF, OUTER
2	1	3A04717-002	WHEEL HALF, INNER
3	1	3A04620-001	GASKET, TEFLON
4	1	3A04616-001	GREASE RETAINER
5	1	164-01700	BRAKE DISC, MIN. THICKNESS .167
6	3	AN4-22A	BOLT, 1/4-28, 1.8125 GRIP, UNDRILLED, STEEL
7	3	AN960-416L	WASHER
8	3	MS21044N4	NUT, LOCKING, REGULAR HEIGHT, 1/4-28 UNF
9	2	08231	BEARING CUP, NON-CHROME
	2	8231CP	BEARING CUP, CHROME (OPT.)
10	2	08125	BEARING CONE, NON-CHROME
	2	8125CP	BEARING CONE, CHROME (OPT.)
11	2	473237	SEAL, INSIDE/OUTSIDE DRILL #50 HOLE IN SIDE OF SEAL TO BE USED IN OUTBOARD SIDE OF WHEEL.
12	1	AA1D4*	TIRE, 5.00 X 5-6, TYPE 3
13	1	XA1AC*	TUBE, 5.00 X 5
	1	3A04000-052	ASSY., BRAKE AND TORQUE PLATE
14	1	030-00903	ASSY., CALIPER
	1	062-00300	PISTON
	1	AN6227-23	O'RING
	1	AN823-3D	FITTING 45° (BRAKE LINE)
15	1	081-00100	SEAT, BLEEDER
	1	79-3	SCREW, BLEEDER
	1	183-1	CAP, BLEEDER
16	2	069-00400	ANCHOR BOLT
	2	AN960-416L	WASHER
	2	AN823-3D	AN FITTING ELBOW, FLARED TUBE AND PIPE THREAD, 45°
17	1	074-00200	ASSY., BACK PLATE
	1	064-00500	PLATE, BACK
	1	066-10600	LINING
	3	105-2	RIVET
18	1	073-00300	ASSY., PRESSURE PLATE
	1	063-00500	PLATE, PRESSURE
	1	066-10600	LINING
	3	105-2	RIVET
19	1	3A04711-001	BRAKE TORQUE PLATE, LT.
	1	3A04711-002	BRAKE TORQUE PLATE, RT.
20	2	AN4H15A	BOLT, 1/4-28 THREAD, 1-3/16" GRIP, 1-21/32" LNGTH
	2	AN960-416L	WASHER
21	1	3A04093-001	SPACER

ITEM	QTY	PART NO.	PART DESCRIPTION
22	1	3A04268-003	NUT, MAIN AXLE
23	1	MS24665-351	COTTER PIN

* Any alternate tire (tube type) which is TSO-approved, matches the listed tire's dimensions, and meets its speed/load/ply ratings may be used. Equivalent tubes may also be used.

MAIN GEAR RETRACTION ASSEMBLY

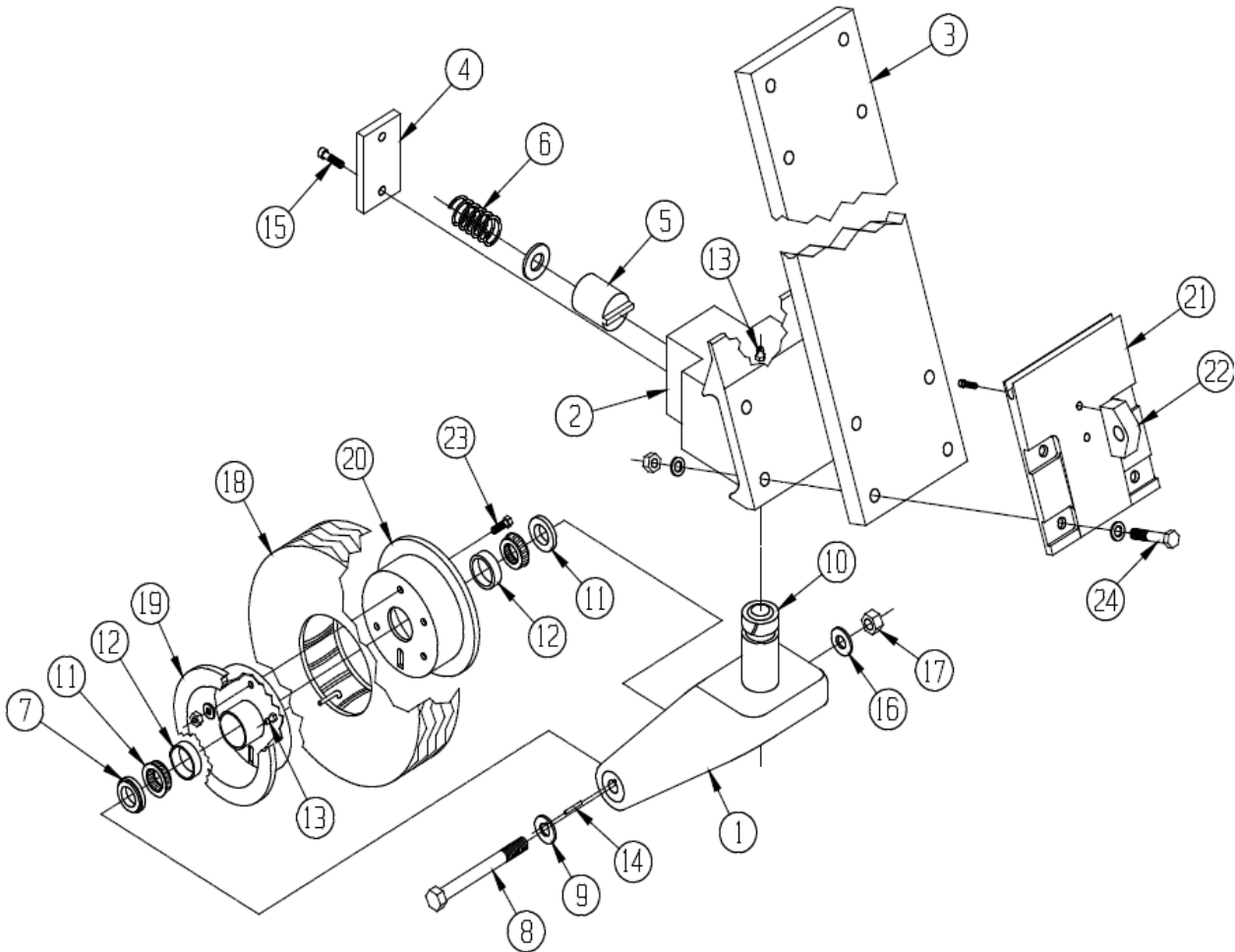


ITEM	QTY	PART NO.	PART DESCRIPTION
-	1	4A05000-000	MAIN GEAR, RETRACTION SYSTEM
1	1	6A05268-001	CAP, CYL. END
2	1	4A05116-004	CYL., MAIN GEAR
3	1	4A05000-011	ASSY. RAM
4	1	6A05181-001	SUPPORT, RING CYL.
	1	AN6227-30	"O" RING
5	1	6A05199-001	FLANGE CYL. END
6	8	NAS6203-2	BOLT
7	8	MS35333-39	WASHER LOCK
8	8	NAS1149D0363J	WASHER, 0.203 ID, 0.063 THK, ALUMINUM
9	2	AN6227-25	O'RING
10	1	MS20822-4D	ELBOW
11	1	AN6227-24	O'RING
12	1	6A05196-001	CAP, SLIDE TUBE
13	2	AN6-12A	BOLT, 3/8-24 THREAD, 11/16" GRIP, 1-21/64" LENGTH
14	A/R	NAS1149D0663J	WASHER, 0.39 ID, 0.063 THK, ALUMINUM
15	4	MS21044N6	NUT, LOCKING, REGULAR HEIGHT, 3/8-24 UNF
16	2	AN4-24A	BOLT, 1/4-28 THREAD, 2-1/16" GRIP, 2-17/32" LENGTH
17	A/R	NAS1149D0463J	WASHER, 0.265 ID, 0.063 THK, ALUMINUM
18	2	MS21044N4	NUT, LOCKING, REGULAR HEIGHT, 1/4-28 UNF
19	A/R	6A05158-020	SHIM
20	2	6A05702-008	LOCK PIN
21	1	6A05208-001	FTG., SLIDE TUBE
22	2	6A05193-001	CATCH, LOCK HOOK
23	1	4A05402-005	SLIDE TUBE
24	1	6A05309-001	CARRIAGE
	2	26DU-16	BUSHING (LG.)
	2	08DU-08	BUSHING (SM.)
25	1	AN3-25A	BOLT, 10-32 THREAD, 2-1/4" GRIP, 2-21/32" LENGTH
26	A/R	NAS1149D0363J	WASHER, 0.203 ID, 0.063 THK, ALUMINUM
27	1	MS21044N3	NUT, LOCKING, REGULAR HEIGHT, 10-32 UNF
28	1	AN6-26A	BOLT SIZE 3/8-24, LENGTH 1/64 - 2-53/64, GRIP LENGTH 2-3/16
29	A/R	NAS1149D0663J	WASHER, 0.39 ID, 0.063 THK, ALUMINUM
30	1	MS21044N6	NUT, LOCKING, REGULAR HEIGHT, 3/8-24 UNF
31	2	1032 X 3/16"	SET SCREW (MAGNET)
32	2	3A05701-001	MAGNET
33	1	6A05042-001	LOCK AFT.
34	1	6A05041-001	LOCK FWD.
35	2	6A05087-001	SET SCREW, LOCK
36	2	AN316-4	CHECK NUT
37	1	6A05533-001	SPRING LOCK

PARTS MANUAL
4000 FLOATS ON CESSNA 185 & 206 SERIES

ITEM	QTY	PART NO.	PART DESCRIPTION
38	1	6A05158-019	COVER CARRIAGE
39	4	AN526-832R8	SCREW
	4	MS35333-38	WASHER LOCK (NOT SHOWN)
	4	NAS1149DN832J	WASHER, 0.174 ID, 0.032 THK, ALUMINUM (NOT SHOWN)
40	2	AN4-23A	BOLT, 1/4-28, 1.9375 GRIP, UNDRILLED, STEEL
41	1	AN6-47A	BOLT, 3/8-24 THREAD, 4-5/16" GRIP, 4-61/64 LENGTH
42	1	6A01201-001	FTG., TUNNEL CAP
43	1	6A05259-002	END, SLIDE TUBE INSERT
44	4	AN5-5A	BOLT, 5/16-24 THREAD, 3/16" GRIP, 23/32" LENGTH
	A/R	NAS1149D0563J	WASHER, 0.328 ID, 0.063 THK, ALUMINUM
	4	MS21044N5	NUT, LOCKING, REGULAR HEIGHT, 5/16-24 UNF
45	2	AN6-7A	BOLT, 3/8-24 THREAD, 5/16" GRIP, 61/64" LENGTH
	A/R	NAS1149D0663J	WASHER, 0.39 ID, 0.063 THK, ALUMINUM
	2	MS21044N6	NUT, LOCKING, REGULAR HEIGHT, 3/8-24 UNF
46	2	AN5H10A	BOLT, 5/16-24 THREAD, 9/16" GRIP, 1-3/32" LENGTH
	A/R	NAS1149D0563J	WASHER, 0.328 ID, 0.063 THK, ALUMINUM
47	1	AN4-14A	BOLT, 1/4-28, 1.0625 GRIP, UNDRILLED, STEEL
	A/R	NAS1149D0463J	WASHER, 0.265 ID, 0.063 THK, ALUMINUM
	1	MS21044N4	NUT, LOCKING, REGULAR HEIGHT, 1/4-28 UNF
48	1	M83461/1-314	O-RING
49	1	6A05580-002	WIPER, FELT
50	1	8880400U	WIPER, NYLON

NOSE GEAR WHEEL ASSEMBLY



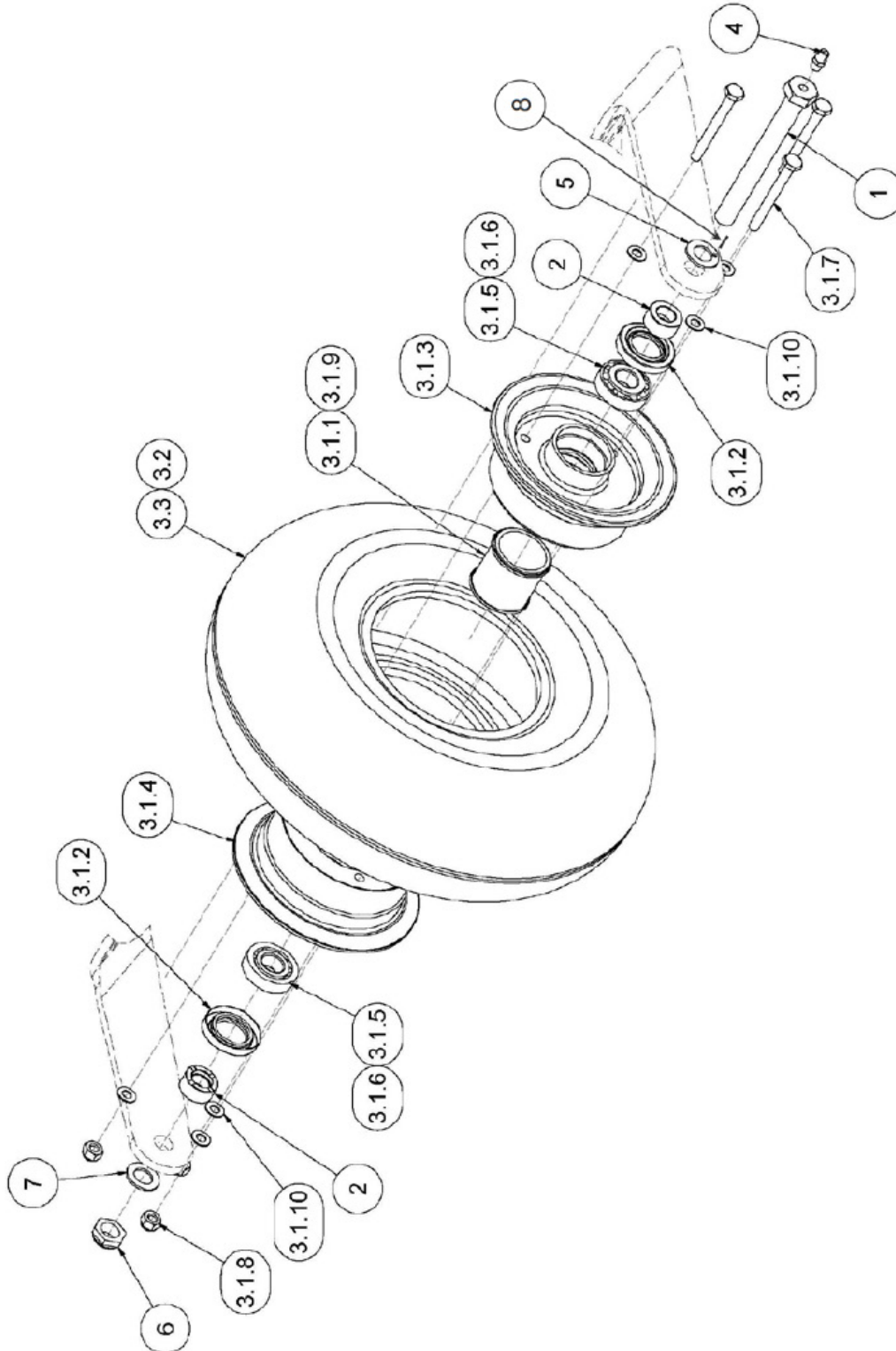
ITEM	QTY	PART NO.	PART DESCRIPTION
-	1	4A06000-013	NOSE GEAR WHEEL ASSY. COMPLETE
1	1	3A06000-002	ASSY., NOSE FORK. W/PIN
2	1	4A06224-001	PIVOT BLOCK
3	1	4A06627-001	SPRING, NOSE GEAR
	4	AN6-17A	BOLT, 3/8-24, 1.3125 GRIP, UNDRILLED, STEEL
	4	NAS1149F0663P	WASHER, 0.39 ID, 0.063 THK, STEEL
	4	NAS1149F0632P	WASHER, 0.39 ID, 0.032 THK, STEEL
	4	MS21044N6	NUT, LOCKING, REGULAR HEIGHT, 3/8-24 UNF
4	1	3A06037-001	COVER, NOSE GEAR CENTERING SPRING
5	1	3A06512-001	PISTON, CENTERING
6	1	3A06525-002	SPRING, CENTERING
7	2	3A06259-001	SPACER, DUST COVER
8	1	3A06702-002	AXLE, NOSE WHEEL
9	1	3A06702-003	WASHER-MODIFIED

PARTS MANUAL
4000 FLOATS ON CESSNA 185 & 206 SERIES

ITEM	QTY	PART NO.	PART DESCRIPTION
10	1	3A06602-001	WASHER, THRUST
11	2	4050	BEARING, CONE
	2	4050CP	BEARING, CONE, CHROME PLATED (OPT.)
12	2	4138	BEARING, CUP
	2	4138CP	BEARING, CONE, CHROME PLATED (OPT.)
13	2	609000	GREASE ZERK
14	1	3A06476-001	PIN, ANTI AXLE ROTATE
15	2	MS16997-60	BOLT, SOC. HD. CAP SCREW
	2	MS35333-40	WASHER, LOCK
16	1	NAS1149D0863J	WASHER, 0.515 ID, 0.063 THK, ALUMINUM
17	1	MS21083N8	NUT, 1/2-20 THREAD, LOW HEIGHT, NYLON INSERT, 250 DEG.
18	1	AD1A2*	TIRE, 2.50 / 2.80 - 4
	1	XA1AA*	INNER TUBE, 2.80 X 4
19	1	3A06724-001	WHEEL HALF, OUTER
20	1	3A06724-002	WHEEL HALF, INNER
21	1	6A06196-002	PLATE, NOSE SPRING
22	1	6A06202-001	BLOCK, TOWING
	2	MS16997-77	SCREW, FLATHEAD SOCKET
23	3	AN4-7A	BOLT, 1/4-28, 0.4375 GRIP, UNDRILLED, STEEL
	6	NAS1149F0432P	WASHER, 0.265 ID, 0.032 THK, STEEL
	3	MS21044N4	NUT, LOCKING, REGULAR HEIGHT, 1/4-28 UNF
24	4	AN6-20A	BOLT, 3/8-24, 1.438 GRIP, UNDRILLED, STEEL
	8	NAS1149F0663P	WASHER, 0.39 ID, 0.063 THK, STEEL
	4	MS21044N6	NUT, LOCKING, REGULAR HEIGHT, 3/8-24 UNF

* Any alternate tire (tube type) which is TSO-approved, matches the listed tire's dimensions, and meets its speed/load/ply ratings may be used. Equivalent tubes may also be used.

NOSE WHEEL ASSEMBLY (GROVE)

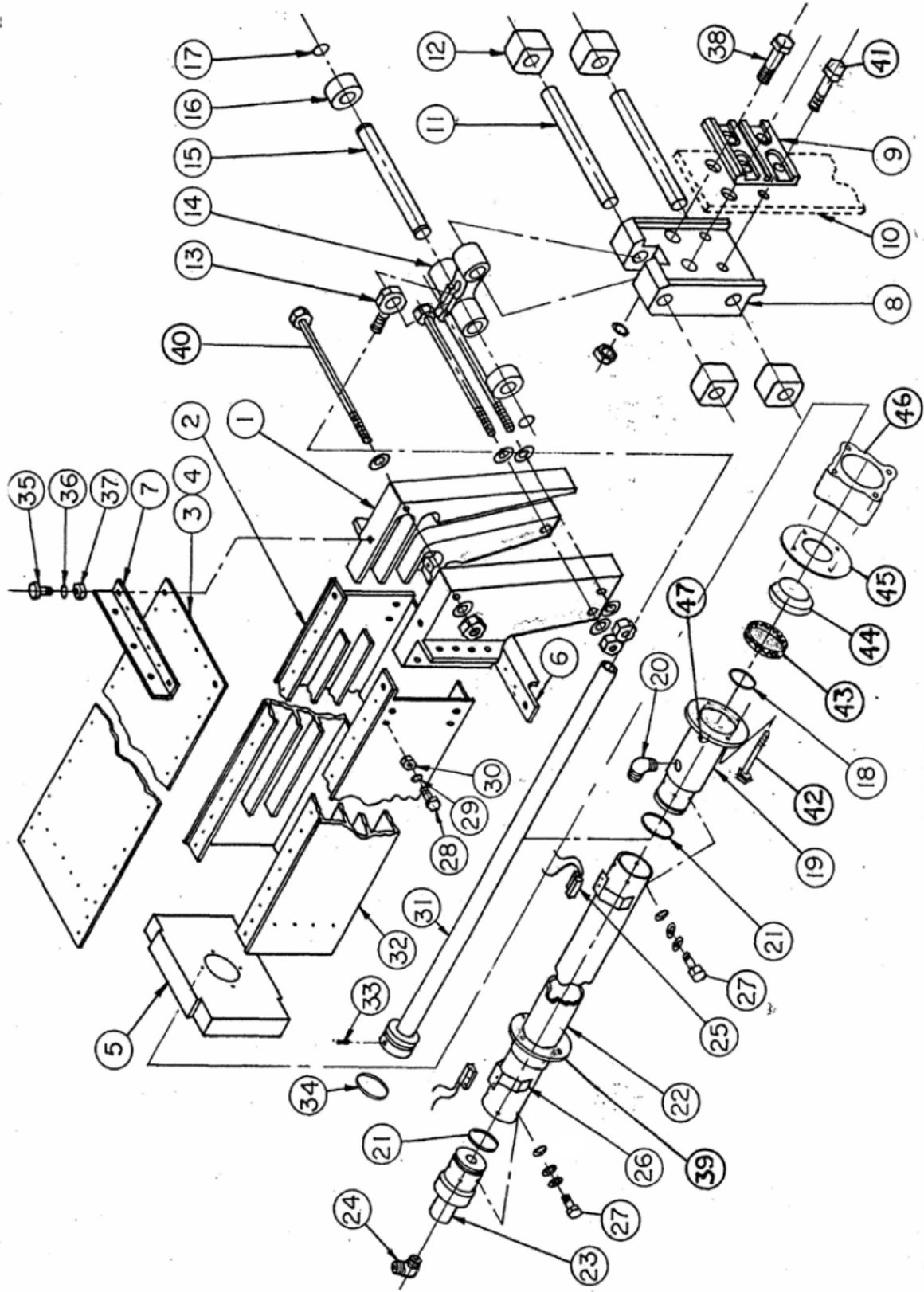


PARTS MANUAL
4000 FLOATS ON CESSNA 185 & 206 SERIES

ITEM	QTY	PART NO.	PART DESCRIPTION
1	1	1005927	BOLT, AXLE, NOSE GEAR
2	2	1005929	SPACER
3	1	1005931	ASSEMBLY, NOSE WHEEL
3.1	1	49-12AF-001	ASSEMBLY, WHEEL, GROVE
3.1.1	1	010-019	GREASE RETAINER
3.1.2	2	471570	SEAL, TIMKEN (EQUIVALENT TO GROVE OEM P/N 010-026)
3.1.3	1	015-020A	WHEEL HALF INNER
3.1.4	1	016-020AF	WHEEL HALF OUTER
3.1.5	2	A4050	BEARING CORE
3.1.6	2	A4138	BEARING CONE
3.1.7	3	AN4-23A	BOLT, 1/4-28, 1.9375 GRIP, UNDRILLED, STEEL
3.1.8	3	MS21044N-4	NUT
3.1.9	2	MS28775-029	O RING, I.D 1.489, O.D. 1.629. .070 THICK
3.1.10	6	NAS1149F0416	WASHER, 0.265 ID, 0.016 THK, STEEL
3.2	1	XA1AA*	INNER TUBE, 2.80 X 4
3.3	1	AD1A2*	TIRE, 2.50 / 2.80 - 4
4	1	1095K41	COMMON GREASE ZERK
5	1	3A06702-003	MODIFIED WASHER
6	1	MS21083N8	NUT, 1/2-20 THREAD, LOW HEIGHT, NYLON INSERT, 250 DEG.
7	1	NAS1149D0863J	WASHER, 0.515 ID, 0.063 THK, ALUMINUM
8	1	21A06476-003	PIN ANTI ROTATE AXEL

* Any alternate tire (tube type) which is TSO-approved, matches the listed tire's dimensions, and meets its speed/load/ply ratings may be used. Equivalent tubes may also be used.

NOSE GEAR RETRACTION ASSEMBLY



PARTS MANUAL
4000 FLOATS ON CESSNA 185 & 206 SERIES

ITEM	QTY	PART NO.	PART DESCRIPTION
-	1	6A07000-000	NOSE GEAR, RETRACTION SYSTEM
1	1	6A07337-001	END, NOSE GEAR TRACK, LT.
	1	6A07337-002	END, NOSE GEAR TRACK, RT.
2	1	6A07364-001	TRACK, SIDE NOSE GEAR BOX, LT.
	1	6A07364-002	TRACK, SIDE NOSE GEAR BOX, RT.
3	1	6A07156-023	BOX, COVER, TOP
4	1	6A07156-022	BOX, COVER, BTM.
5	1	6A07210-001	END CAP, NOSE BOX
6	1	6A07357-036	ANGLE, NOSE BOX, LWR.
7	1	6A07427-003	ANGLE, NOSE BOX, UPR.
8	1	6A07199-002	NOSE GEAR TROLLEY
9	1	6A07184-001	BEARING PLATE
10	1	4A06627-001	NOSE SPRING
11	2	6A07534-001	AXLE TROLLEY
12	4	6A07603-001	BLOCKS TROLLEY
13	1	6A07263-001	ROD END
	1	AN316-10R	JAM NUT (NOT SHOWN)
14	1	6A07204-001	LINK, RAM, END
15	1	6A07534-002	AXLE, LINK
16	2	6A07544-001	ROLLER TROLLEY
17	2	5100-062	SNAP RING
18	1	M83461/1-316	O-RING, HYDRAULIC, PACKING, .850 I.D.
19	1	6A07264-002	FLANGE, NOSE GEAR CYL.
20	1	MS20822-4D	ELBOW
21	2	AN6227-25	"O"RING
22	1	6A07116-002	CYL., NOSE GEAR RAM
23	1	6A05268-001	END CAP
24	1	MS20822-4D	ELBOW
25	2	5801	SWITCH SENSOR
26	2	3A07002-027	MOUNT SWITCH
27	8	NAS6203-2	BOLT
	8	NAS1149F0332P	WASHER, 0.203 ID, 0.032 THK, STEEL
	8	NAS1149F0316J	WASHER THIN
	8	MS35333-39	WASHER LOCK
28	8	AN5-7A	BOLT, 5/16-24 THREAD, 7/16" GRIP, 31/32" LENGTH
29	16	NAS1149D0563J	WASHER, 0.328 ID, 0.063 THK, ALUMINUM
30	8	MS21044N5	NUT, LOCKING, REGULAR HEIGHT, 5/16-24 UNF
31	1	6A07000-008	RAM ASSEMBLY
32	1	6A07364-001	TRACK, SIDE NOSE GEAR BOX, LT.
	1	6A07364-002	TRACK, SIDE NOSE GEAR BOX, RT.
33	1	3A05701-001	MAGNET

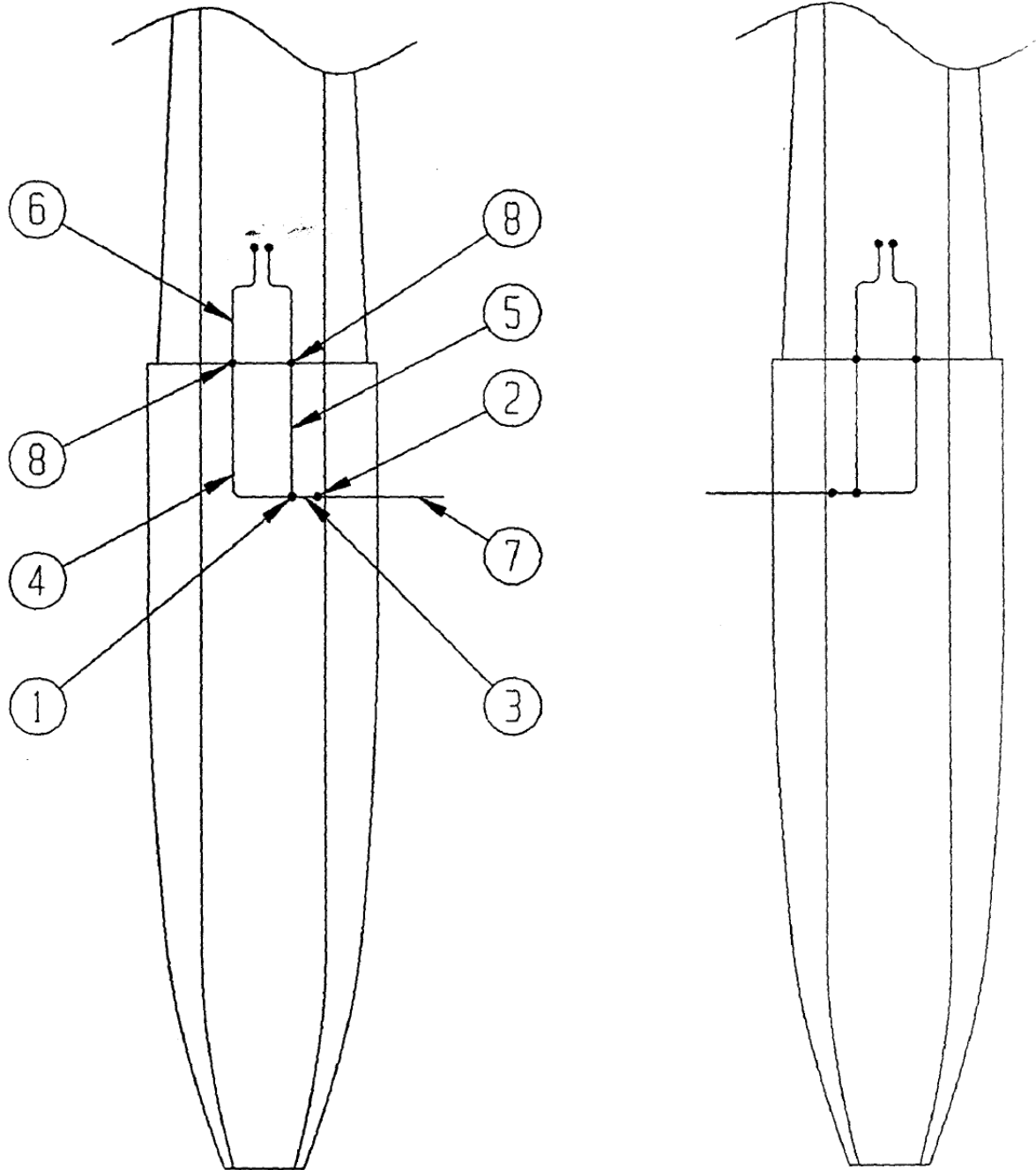
ITEM	QTY	PART NO.	PART DESCRIPTION
34	1	AN6227-24	"O"RING
35	2	AN5-10A	BOLT, 5/16-24 THREAD, 9/16" GRIP, 1-3/32" LENGTH
36	4	NAS1149D0516J	WASHER, 0.328 ID, 0.016 THK, ALUMINUM
37	2	MS21044N5	NUT, LOCKING, REGULAR HEIGHT, 5/16-24 UNF
38	2	AN8-26A	BOLT, 1/2-20, 2.0625 GRIP, UNDRILLED, STEEL
	A/R	NAS1149F0763P	WASHER, 0.453 ID, 0.063 THK, STEEL
	2	MS21044N8	NUT, LOCKING, REGULAR HEIGHT, 1/2-20 UNF
39	1	6A05256-001	SUPPORT RING, CYL.
40	2	AN4-65A	BOLT, 1/4-28, 6.1875 GRIP, UNDRILLED, STEEL
	A/R	NAS1149D0463J	WASHER, 0.265 ID, 0.063 THK, ALUMINUM
	2	MS21044N4	NUT, LOCKING, REGULAR HEIGHT, 1/4-28 UNF
41	2	AN6-24A	BOLT, 3/8-24, 1.9375 GRIP, UNDRILLED, STEEL
	A/R	NAS1149F0663P	WASHER, 0.39 ID, 0.063 THK, STEEL
	2	MS21044N6	NUT, LOCKING, REGULAR HEIGHT, 3/8-24 UNF
42	4	AN3-20A	BOLT, 10-32, 1.625 GRIP, UNDRILLED, STEEL
	A/R	NAS1149F0363P	WASHER, 0.203 ID, 0.063 THK, STEEL
	4	MS21044N3	NUT, LOCKING, REGULAR HEIGHT, 10-32 UNF
43	1	6A07580-005	WIPER, FELT
44	1	8880510	WIPER, NYLON
45	1	6A07158-129	PLATE
46	1	6A07264-003	SPACER
47	1	1205K12	OILER, FILLER

SECTION 8 BRAKE LINES

CONTENTS

BRAKE LINE ASSY – CESSNA 185 & 206.....76

BRAKE LINE ASSY – CESSNA 185 & 206



PARTS MANUAL
4000 FLOATS ON CESSNA 185 & 206 SERIES

ITEM	QTY	PART NO.	PART DESCRIPTION
1	2	AN824-4D	TEE
	2	AN894D4-3	REDUCER (#4 TO #3)
2	2	AN833-3D	FTG., BULK. (90 °)
	1	AN924-3D	JAM NUT
	2	NAS1149D0663J	WASHER, 0.39 ID, 0.063 THK, ALUMINUM
3	2	4A04000-046	ASSY. BRAKE LINE
	1	4A04401-046	LINE, 3 3/4"
	2	MS20819-3D	SLEEVE-COUPLING
	2	AN818-3D	NUT-COUPLING
4	2	4A04000-045	ASSY. BRAKE LINE
	1	4A04411-045	LINE, 28 1/4"
	2	MS20819-4D	SLEEVE-COUPLING
	2	AN818-4D	NUT-COUPLING
5	2	4A04000-044	ASSY. BRAKE LINE
	1	4A04411-044	LINE, 17 3/4"
	1	MS20819-4D	SLEEVE-COUPLING
	1	AN818-4D	NUT-COUPLING
6	4	4A04000-048	ASSY. BRAKE LINE, BULK. TO CALIPER
	1	4A04671-048	LINE, 8 1/2"
	2	63-190-600-4	FTG., STRAIGHT
7	2	4A04000-050	ASSY. BRAKE LINE, TOP DECK TO FUS., 185
	1	4A04672-050	LINE, 52"
	2	F66000-3	FTG., STRAIGHT
	1	3/8"	SHRINK TUBING
	1	MS20823-4D	ELBOW (450)
	1	6A04258-004	ADAPTER (ON FUS.)
	2	4A04000-051	ASSY., BRAKE LINE TOP DECK TO FUS., 206
	1	4A04672-051	LINE, 43"
	2	F66000-3	FTG., STRAIGHT
	1	3/8"	SHRINK TUBING
8	4	AN833-4D	FITTING BULK. 900
	2	NAS1149D0763J	WASHER, 0.453 ID, 0.063 THK, ALUMINUM
	1	AN924-4D	JAM NUT

THIS PAGE INTENTIONALLY LEFT BLANK

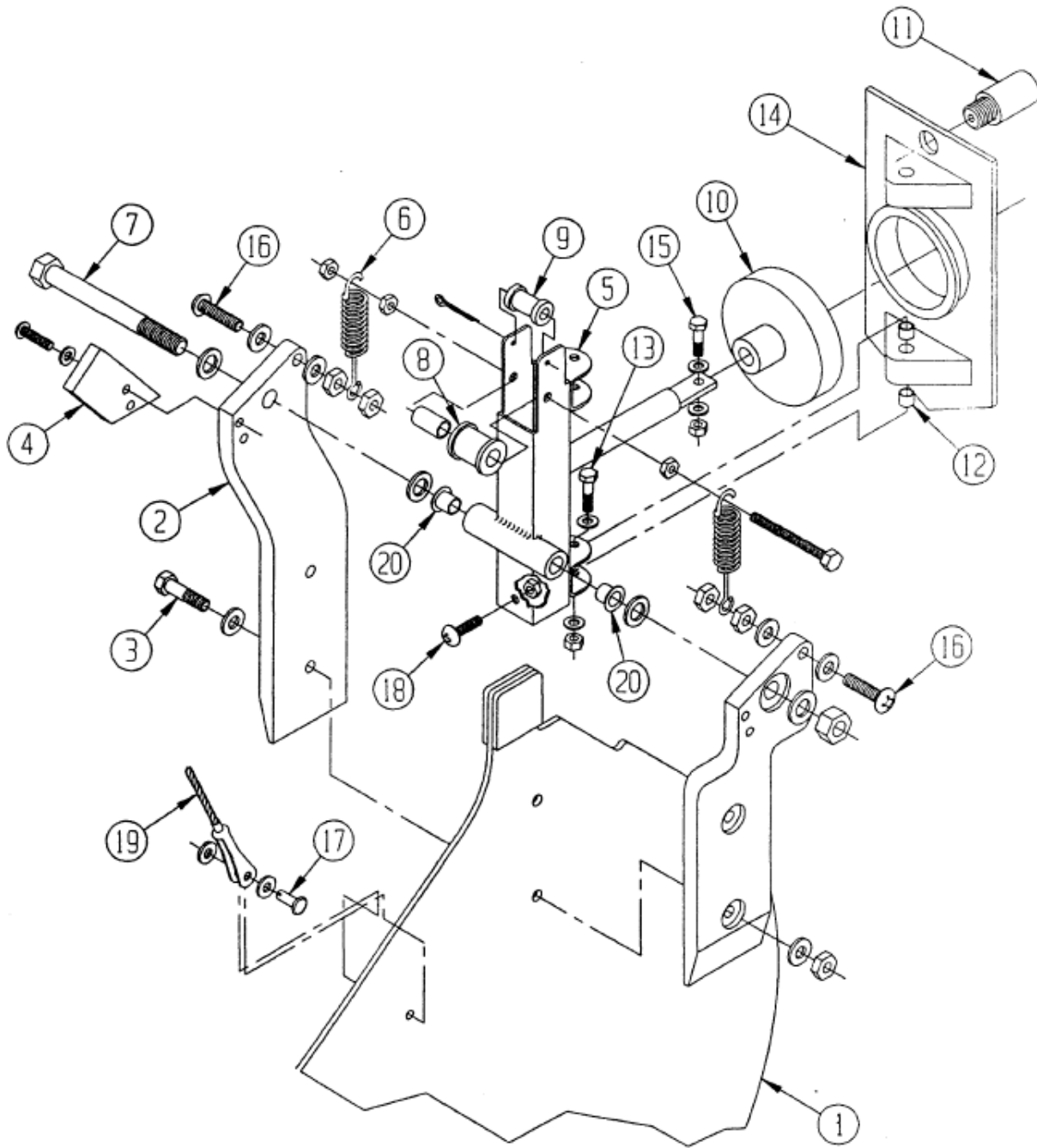
SECTION 9

WATER RUDDER, STEERING & RETRACT SYSTEM

CONTENTS

WATER RUDDER BLADE INSTALLATION	80
RETRACT HANDLE & HYD. HAND PUMP INSTALLATION - CESSNA 185	83
RETRACT HANDLE & HYD. HAND PUMP INSTALLATION - CESSNA 206	86
WATER RUDDER STEERING AND RETRACT SYSTEM – CESSNA 185	88
WATER RUDDER STEERING AND RETRACT SYSTEM – CESSNA 206	92

WATER RUDDER BLADE INSTALLATION



PARTS MANUAL
4000 FLOATS ON CESSNA 185 & 206 SERIES

ITEM	QTY	PART NO.	PART DESCRIPTION
-	1	4A08000-100	WATER RUDDER SYSTEM, COMPLETE, 185
-	1	4A08000-200	WATER RUDDER SYSTEM, COMPLETE, 206
-	1	4A08000-094	ASSY, WATER RUDDER, BLADE & ARMS
-	1	4A08000-095	ASSY, WATER RUDDER, BLADE & ARMS-SOLOY
1	1	4A08000-062	BLADE
2	1	4A08197-008	ARM, RT.
	1	4A08197-009	ARM, LT.
3	2	AN4-10A	BOLT, 1/4-28, 0.5625 GRIP, UNDRILLED, STEEL
	A/R	NAS1149D0463J	WASHER, 0.265 ID, 0.063 THK, ALUMINUM
	2	H10-4	NUT
4	2	4A08205-003	STOP WATER RUDDER LOCK (206 ONLY)
	2	4A08205-004	STOP WATER RUDDER LOCK (SOLOY 206 ONLY)
	4	AN526-1032R10	SCREW
	4	MS35333-39	WASHER-LOCK
5	1	4A08000-097	ASSY., WATER RUDDER PIVOT
6	2	4A08525-004	SPRING, RETRACT
7	1	AN6C34A	BOLT, WATER RUDDER HINGE
	A/R	NAS1149D0663J	WASHER, 0.39 ID, 0.063 THK, ALUMINUM
	1	MS21083N6	NUT, LOCKING, LOW HEIGHT, 3/8-24 UNF
8	1	3A08606-001	ROLLER, RETRACT CABLE, LWR.
	1	3A08502-001	BUSHING, ROLLER
	1	10/32 X 2"	BOLT, ROLLER, (HEX HD. S.S.)
	3	H10-3	NUT
9	1	6A08601-002	ROLLER, RETRACT CABLE, UPR.
	1	MS24665-306	COTTER PIN
10	1	3A08650-001	BOOT, WATER RUDDER
11	1	3A08605-001	GUIDE, WATER RUDDER CABLE
12	4	03DU04	BEARING
13	2	AN3C10A	BOLT, RUDDER POST HINGE
	A/R	NAS1149D0363J	WASHER, 0.203 ID, 0.063 THK, ALUMINUM
	2	H10-3	NUT
14	1	4A01000-301	CASTING, PIVOT WATER RUDDER
15	1	AN3-6A	BOLT, 10-32, 0.375 GRIP, UNDRILLED, STEEL
	A/R	NAS1149D0363J	WASHER, 0.203 ID, 0.063 THK, ALUMINUM
	1	MS21044N3	NUT, LOCKING, REGULAR HEIGHT, 10-32 UNF
16	2	AN526-428R16	SCREW-SPRING ATTACH
	A/R	NAS1140F0463P	WASHER
	2	H10-4	NUT
17	1	MS20392-2C11	PIN-CLEVIS
	A/R	NAS1149D0316J	WASHER, 0.203 ID, 0.016 THK, ALUMINUM
	1	MS24665-151	PIN-COTTER

ITEM	QTY	PART NO.	PART DESCRIPTION
18	1	AN526-1032R16	SCREW-RUDDER STOP
	1	H10-3	NUT
19	1	4A08000-072	ASSY. CABLE-RETRACT
20	2	6L11F	BEARING-NYLINER
21	2	1032 X 2 S/S	BOLT

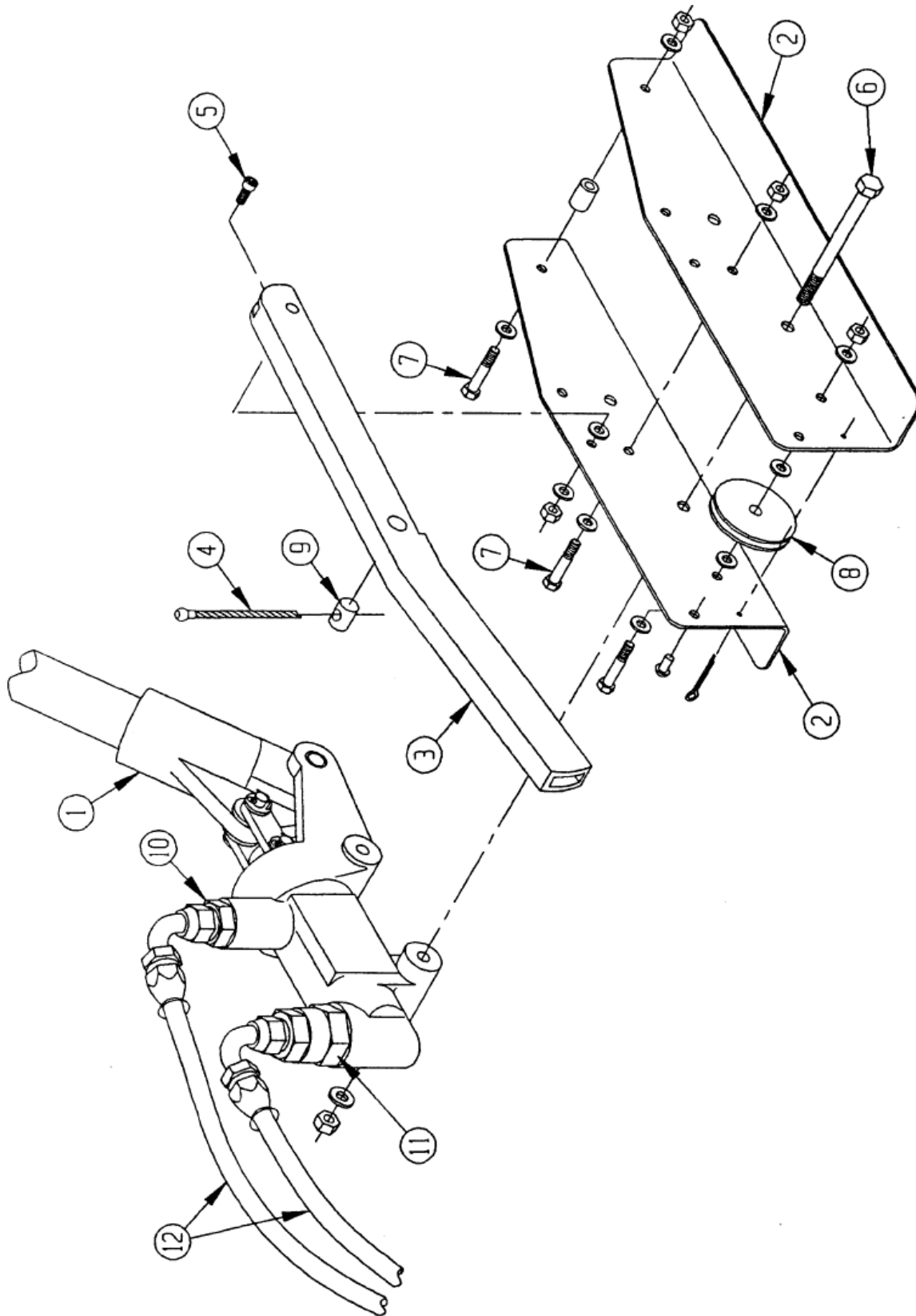
PARTS MANUAL
4000 FLOATS ON CESSNA 185 & 206 SERIES

ITEM	QTY	PART NO.	PART DESCRIPTION
-	1	4A08000-087	ASSY., WATER RUDDER RETRACT HANDLE & HAND PUMP, 185
1	2	3A08003-017	FRAME
2	1	4A08414-003	HANDLE
3	1	3A08000-007	ASSY. CHANNEL
4	1	3A08415-001	LATCH & RETRACT
5	1	4A08000-088	ASSY. CABLE, RETRACT HANDLE 48.63"
6	1	3A08061-003	BLOCK, ADJUSTING
7	1	10/32 X 2"	SCREW, S.S.
8	2	3A08702-006	PIVOT, BOLT
	A/R	NAS1149F0363P	WASHER, 0.203 ID, 0.063 THK, STEEL
	2	H10-3	NUT
9	1	4A08506-002	SWIVEL
10	1	MS20219-2	PULLEY
	1	AN4-10A	BOLT, 1/4-28, 0.5625 GRIP, UNDRILLED, STEEL
	A/R	NAS1149F0463P	WASHER, 0.265 ID, 0.063 THK, STEEL
	1	H10-4	NUT
11	1	AN3-10A	BOLT, 10-32, 0.625 GRIP, UNDRILLED, STEEL
	A/R	NAS1149F0363P	WASHER, 0.203 ID, 0.063 THK, STEEL
	1	H10-3	NUT
12	1	AN3-10A	BOLT, 10-32, 0.625 GRIP, UNDRILLED, STEEL
	A/R	NAS1149F0363P	WASHER, 0.203 ID, 0.063 THK, STEEL
	1	3A08613-001	SPACER
	1	H10-3	NUT
13	1	914-8D-27	ASSY. HAND PUMP
	2	AN4-27A	BOLT, 1/4-28 THREAD, 2-7/16" GRIP, 2-29/32" LENGTH
	A/R	NAS1149F0463P	WASHER, 0.265 ID, 0.063 THK, STEEL
	2	MS21044N4	NUT, LOCKING, REGULAR HEIGHT, 1/4-28 UNF
14	1	4A09003-068	BRKT., HAND PUMP RT.
	1	4A09003-069	BRKT., HAND PUMP LT.
	4	AN4-5A	BOLT ATTACH FLOOR
	A/R	NAS1149F0463P	WASHER, 0.265 ID, 0.063 THK, STEEL
	4	MS21044N4	NUT, LOCKING, REGULAR HEIGHT, 1/4-28 UNF
15	1	1002838	HANDLE
16	1	AN919-7D	REDUCER
	1	MS28775-013	O RING, DIA 0.426
17	1	AN919-11D	REDUCER
	1	MS28775-016	O RING, DIA 0.614
18	2	4A09000-102	ASSY. HOSE, EMER. HAND PUMP TO TEE
	1	3A3-1115-1	PLACARD "WATER RUDDER CONTROL"
	1	3A3-1115-2	PLACARD "DOWN"
	1	3A3-1115-3	PLACARD "UP"

PARTS MANUAL
4000 FLOATS ON CESSNA 185 & 206 SERIES

ITEM	QTY	PART NO.	PART DESCRIPTION
	1	3A3-0595-3	PLACARD "EMER. HAND PUMP"

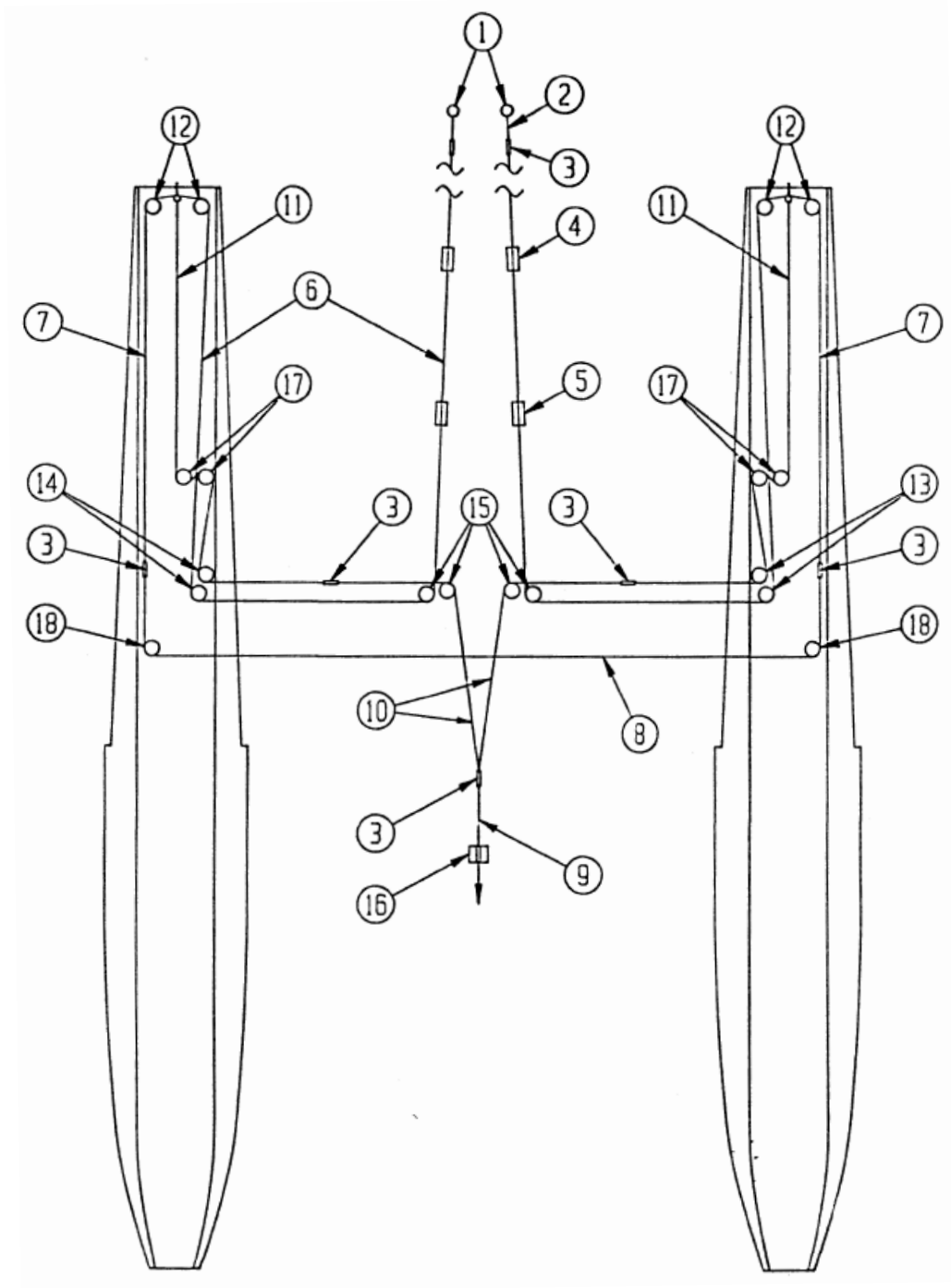
RETRACT HANDLE & HYD. HAND PUMP INSTALLATION - CESSNA 206



PARTS MANUAL
4000 FLOATS ON CESSNA 185 & 206 SERIES

ITEM	QTY	PART NO.	PART DESCRIPTION
-	1	4A08000-069	ASSY., WATER RUDDER RETRACT HANDLE & HAND PUMP, 206
1	1	914-8D-27	ASSY., HAND PUMP
	1	1-1166-3	HANDLE HAND PUMP
2	1	3A08003-016	BRKT., RETRACT HANDLE RT.
	1	3A08003-015	BRKT., RETRACT HANDLE LT.
3	1	4A08414-003	HANDLE
4	1	4A08000-082	ASSY. CABLE, RETRACT HANDLE 40"
5	2	3A08702-062	PIVOT, BOLT
	A/R	NAS1149F0363P	WASHER, 0.203 ID, 0.063 THK, STEEL
	2	H10-3	NUT
6	2	AN4-34A	BOLT, 1/4-28, 3.0625 GRIP, UNDRILLED, STEEL
	2	4A09392-002	SPACER, BUSHING
	A/R	AN960-416	WASHER
	2	H10-4	NUT
7	2	AN3-10A	BOLT, 10-32, 0.625 GRIP, UNDRILLED, STEEL
	1	3A08613-001	PLASTIC SPACER
	A/R	NAS1149F0363P	WASHER, 0.203 ID, 0.063 THK, STEEL
	2	H10-3	NUT
8	1	MS20219-2	PULLEY
	1	AN4-10A	BOLT, 1/4-28, 0.5625 GRIP, UNDRILLED, STEEL
	A/R	AN960-416	WASHER
	2	H10-4	NUT
9	1	4A08506-002	SWIVEL
10	1	AN919-7D	REDUCER
	1	MS28775-013	O RING, DIA 0.426
11	1	AN919-11D	REDUCER
	1	MS28775-016	O RING, DIA 0.614
12	1	4A09000-084	ASSY. HOSE HAND PUMP 37"
	1	4A09000-085	ASSY. HOSE HAND PUMP 32"
	1	3A3-1115-1	PLACARD "WATER RUDDER CONTROL"
	1	3A3-1115-2	PLACARD "DOWN"
	1	3A3-1115-3	PLACARD "UP"
	1	5B3-0595-3	PLACARD "EMER. HAND PUMP"

WATER RUDDER STEERING AND RETRACT SYSTEM – CESSNA 185



PARTS MANUAL
4000 FLOATS ON CESSNA 185 & 206 SERIES

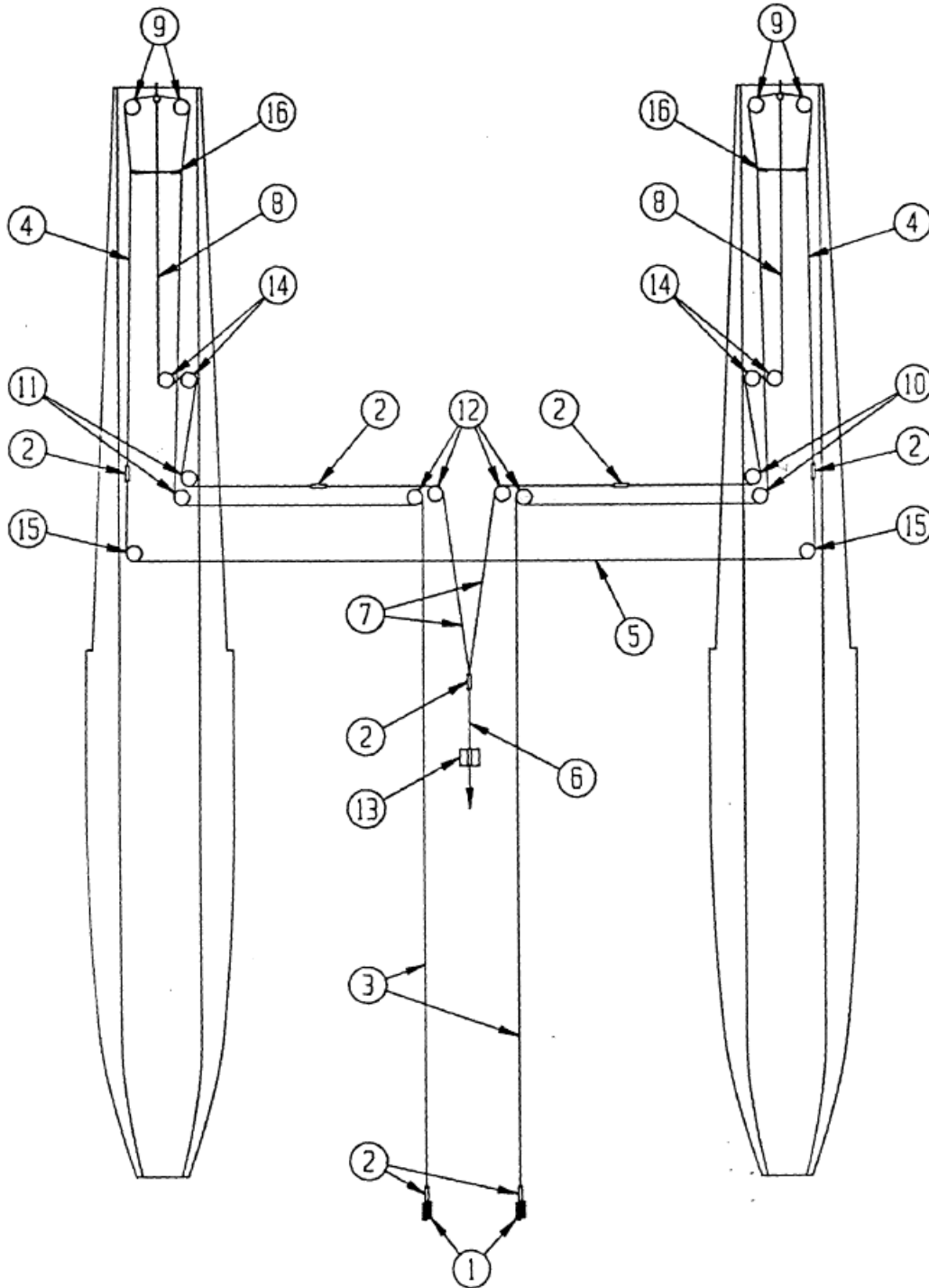
ITEM	QTY	PART NO.	PART DESCRIPTION
1	2	0742016-1	SPRING, STEERING
2	2	4A08000-089	ASSY. CABLE, STEERING BELLY
	1	4A08690-089	CABLE, 34.5"
	1	SA162-SC3	FORK
	1	AN664C-3	BALL
	1	MS21260S3LH	TERMINAL
3	7	MS21251B3S	TURNBUCKLE
4	2	4A08008-116	BRKT., PULLEY GUIDE RR.
5	2	4A08008-115	BRKT., PULLEY GUIDE FWD.
6	2	4A08000-073	ASSY. CABLE, STEERING
	1	4A08690-073	CABLE, 229.5"
	1	SA162-SC3	FORK
	1	AN664C-3	BALL
	1	MS21260S3RH	TERMINAL
7	2	4A08000-077	ASSY. CABLE, BALANCE
	1	4A08690-077	CABLE, 95"
	1	SA162-SC3	FORK
	2	AN664C-3	BALL
	1	MS21260S3LH	TERMINAL
8	1	4A08000-076	ASSY. CABLE, BALANCE SPR. BAR
	1	4A08690-076	CABLE, 122.5"
	2	MS21260S3RH	TERMINAL
9	1	4A08000-088	ASSY. CABLE, RETRACT HANDLE
	1	4A08690-088	CABLE, 48.63"
	1	AN664C-3	BALL
	1	MS21260S3LH	TERMINAL
10	2	4A08000-075	ASSY. CABLE, RETRACT
	1	4A08690-075	CABLE, 52.25"
	1	SA162-SC3	FORK
	1	AN664C-3	BALL
	1	MS21260S3RH	TERMINAL
11	2	4A08000-072	ASSY. CABLE, RETRACT FLOAT
	1	4A08690-072	CABLE, 132"
	1	SA162-SC3	FORK
	1	AN664C-3	BALL
	1	MS21260S3LH	TERMINAL
12	4	4A08000-080	ASSY. PULLEY BRKT., RR. BULK.
	4	MS20219-2	PULLEY
	4	AN380-2-5	COTTER PIN
	4	AN4-7A	BOLT, 1/4-28, 0.4375 GRIP, UNDRILLED, STEEL
	A/R	NAS1149D0416J	WASHER, 0.265 ID, 0.016 THK, ALUMINUM

ITEM	QTY	PART NO.	PART DESCRIPTION
	4	MS21044N4	NUT, LOCKING, REGULAR HEIGHT, 1/4-28 UNF
13	1	4A08000-065	ASSY. PULLEY BRKT., GUNWALL LT.
	1	4A08209-003	BAR, BRKT. MOUNT
	1	6A08355-001	BRKT. PULLY FWD.
	1	6A08336-001	BRKT. PULLEY AFT.
	2	AN3-6A	BOLT, 10-32, 0.375 GRIP, UNDRILLED, STEEL
	A/R	NAS1149F0363P	WASHER, 0.203 ID, 0.063 THK, STEEL
	2	MS21044N3	NUT, LOCKING, REGULAR HEIGHT, 10-32 UNF
	4	MS20219-2	PULLEY
	1	AN4-10A	BOLT, 1/4-28, 0.5625 GRIP, UNDRILLED, STEEL
	1	AN4-11A	BOLT, 1/4-28, 0.6875 GRIP, UNDRILLED, STEEL
	2	AN4-12A	BOLT, 1/4-28, 0.8125 GRIP, UNDRILLED, STEEL
	A/R	NAS1149D0463J	WASHER, 0.265 ID, 0.063 THK, ALUMINUM
	4	MS21044N4	NUT, LOCKING, REGULAR HEIGHT, 1/4-28 UNF
14	1	4A08000-066	ASSY. PULLEY BRKT. GUNWALL RT.
	1	4A08209-003	BAR, BRKT. MOUNT
	1	6A08355-002	BRKT. PULLEY FWD.
	1	6A08336-002	BRKT. PULLEY AFT.
	2	AN3-6A	BOLT, 10-32, 0.375 GRIP, UNDRILLED, STEEL
	AR	NAS1149F0363P	WASHER, 0.203 ID, 0.063 THK, STEEL
	2	MS21044N3	NUT, LOCKING, REGULAR HEIGHT, 10-32 UNF
	4	MS20219-2	PULLEY
	1	AN4-10A	BOLT, 1/4-28, 0.5625 GRIP, UNDRILLED, STEEL
	1	AN4-11A	BOLT, 1/4-28, 0.6875 GRIP, UNDRILLED, STEEL
	2	AN4-12A	BOLT, 1/4-28, 0.8125 GRIP, UNDRILLED, STEEL
	AR	AN960-416	WASHER
	4	MS21044N4	NUT, LOCKING, REGULAR HEIGHT, 1/4-28 UNF
15	4	4A08151-093	BRKT. PULLEY, BELLY
	8	AN42B4A	EYE BOLT
	A/R	NAS1149F0363P	WASHER, 0.203 ID, 0.063 THK, STEEL
	8	AN970-3	WASHER, .203 ID, .875 OD, .063 THK
	4	AN3-25A	BOLT, BRKT. ATTACH
	A/R	NAS1149F0363P	WASHER, 0.203 ID, 0.063 THK, STEEL
	4	MS21044N3	NUT, LOCKING, REGULAR HEIGHT, 10-32 UNF
	4	MS20219-2	PULLEY
	4	AN4-10A	BOLT, 1/4-28, 0.5625 GRIP, UNDRILLED, STEEL
	A/R	AN960-416	WASHER
	4	MS21044N4	NUT, LOCKING, REGULAR HEIGHT, 1/4-28 UNF
16	1	3A08151-046	BRKT. PULLEY, BELLY RETRACT
	4	55963	RIVNUT
	4	MS35333-38	STAR WASHER

PARTS MANUAL
4000 FLOATS ON CESSNA 185 & 206 SERIES

ITEM	QTY	PART NO.	PART DESCRIPTION
	4	AN526-832R8	SCREW
	1	MS20219-2	PULLEY
	1	AN4-10A	BOLT, 1/4-28, 0.5625 GRIP, UNDRILLED, STEEL
	A/R	AN960-416	WASHER
	1	H10-4	NUT
17	4	3A01151-010	BRKT, PULLEY #10 BULK.
	4	MS20219-2	PULLEY
	4	AN380-2-5	COTTER PIN
18	2	4A01156-071	BRKT., PULLEY RR. SPR. BAR PANEL LT.
	2	4A01156-072	BRKT., PULLEY RR. SPR. BAR PANEL RT.
	12	AN526-832R6	SCREW-BRKT. ATTACH
	2	MS20219-2	PULLEY
	2	AN4-10A	BOLT, 1/4-28, 0.5625 GRIP, UNDRILLED, STEEL
	A/R	AN960-416	WASHER
	2	MS21044N4	NUT, LOCKING, REGULAR HEIGHT, 1/4-28 UNF

WATER RUDDER STEERING AND RETRACT SYSTEM – CESSNA 206



PARTS MANUAL
4000 FLOATS ON CESSNA 185 & 206 SERIES

ITEM	QTY	PART NO.	PART DESCRIPTION
1	2	0742016-1	SPRING, STEERING
2	7	MS21251-B3S	TURN BUCKLE
	2	MS21254-3LS	THREADED EYE
3	2	4A08000-073	ASSY. CABLE, STEERING
	1	4A08690-073	CABLE, 229.5"
	1	SA162-SC3	FORK
	1	AN664C-3	BALL
	1	MS21260S3RH	TERMINAL
4	2	4A08000-077	ASSY. CABLE, BALANCE
	1	4A08690-077	CABLE, 95"
	1	SA162-SC3	FORK
	1	AN664C-3	BALL
	1	MS21260S3LH	TERMINAL
5	1	4A08000-076	ASSY. CABLE, BALANCE SPR. BAR
	1	4A08690-076	CABLE, 122.5"
	2	MS21260S3RH	TERMINAL
6	1	4A08000-082	ASSY. CABLE, RETRACT HANDLE
	1	4A08690-082	CABLE, 40"
	1	AN664C-3	BALL
	1	MS21260S3LH	TERMINAL
7	2	4A08000-075	ASSY. CABLE, RETRACT
	1	4A08690-075	CABLE, 52.25"
	1	SA162-SC3	FORK
	1	AN664C-3	BALL
	1	MS21260S3RH	TERMINAL
8	2	4A08000-072	ASSY. CABLE, RETRACT FLOAT
	1	4A08690-072	CABLE, 132"
	1	SA162-SC3	FORK
	1	AN664C-3	BALL
	1	MS21260S3LH	TERMINAL
9	4	4A08000-080	ASSY. PULLEY BRKT., RR. BULK.
	4	MS20219-2	PULLEY
	4	AN380-2-5	COTTER PIN
10	1	4A08000-065	ASSY. PULLEY BRKT. GUNWALL LT.
	1	4A08209-003	BAR, BRKT. MOUNT
	1	6A08355-001	BRKT. PULLEY FWD.
	1	6A08336-001	BRKT. PULLEY AFT.
	2	AN3-6A	BOLT, 10-32, 0.375 GRIP, UNDRILLED, STEEL
	A/R	NAS1149F0363P	WASHER, 0.203 ID, 0.063 THK, STEEL
	2	MS21044N3	NUT, LOCKING, REGULAR HEIGHT, 10-32 UNF
	4	MS20219-2	PULLEY

ITEM	QTY	PART NO.	PART DESCRIPTION
	1	AN4-10A	BOLT, 1/4-28, 0.6875 GRIP, UNDRILLED, STEEL
	1	AN4-11A	BOLT, 1/4-28, 0.6875 GRIP, UNDRILLED, STEEL
	2	AN4-12A	BOLT, 1/4-28, 0.8125 GRIP, UNDRILLED, STEEL
	A/R	NAS1149F0463P	WASHER, 0.265 ID, 0.063 THK, STEEL
	4	MS21044N4	NUT, LOCKING, REGULAR HEIGHT, 1/4-28 UNF
11	1	4A08000-066	ASSY. PULLEY BRKT. GUNWALL RT.
	1	4A08209-003	BAR, BRKT. MOUNT
	1	6A08355-002	BRKT. PULLEY FWD.
	1	6A08336-002	BRKT. PULLEY AFT
	2	AN3-6A	BOLT, 10-32, 0.375 GRIP, UNDRILLED, STEEL
	A/R	NAS1149F0363P	WASHER, 0.203 ID, 0.063 THK, STEEL
	2	MS21044N3	NUT, LOCKING, REGULAR HEIGHT, 10-32 UNF
	4	MS20219-2	PULLEY
	1	AN4-10A	BOLT, 1/4-28, 0.5625 GRIP, UNDRILLED, STEEL
	1	AN4-11A	BOLT, 1/4-28, 0.6875 GRIP, UNDRILLED, STEEL
	2	AN4-12A	BOLT, 1/4-28, 0.8125 GRIP, UNDRILLED, STEEL
	A/R	NAS1149F0463P	WASHER, 0.265 ID, 0.063 THK, STEEL
	4	MS21044N4	NUT, LOCKING, REGULAR HEIGHT, 1/4-28 UNF
12	4	4A08151-093	BRKT. PULLEY, BELLY
	8	AN42B4A	EYEBOLT
	AR	NAS1149F0363P	WASHER, 0.203 ID, 0.063 THK, STEEL
	8	AN970-3	WASHER, LG.
	4	AN3-25A	BOLT, BRKT. ATTACH
	AR	NAS1149F0363P	WASHER, 0.203 ID, 0.063 THK, STEEL
	4	MS21044N3	NUT, LOCKING, REGULAR HEIGHT, 10-32 UNF
	4	MS20219-2	PULLEY
	4	AN4-10A	BOLT, 1/4-28, 0.5625 GRIP, UNDRILLED, STEEL
	AR	NAS1149F0463P	WASHER, 0.265 ID, 0.063 THK, STEEL
	4	MS21044N4	NUT, LOCKING, REGULAR HEIGHT, 1/4-28 UNF
	1	4A08340-032	ANGLE, PULLEY SUPPORT
13	1	3A08151-046	BRKT. PULLEY, BELLY RETRACT
	4	55963	RIVNUT
	4	MS35333-38	STAR WASHER
	4	AN526-832R8	SCREW
	1	MS20219-2	PULLEY
	1	AN4-10A	BOLT, 1/4-28, 0.5625 GRIP, UNDRILLED, STEEL
	A/R	NAS1149F0463P	WASHER, 0.265 ID, 0.063 THK, STEEL
	1	H10-4	NUT
14	4	3A01151-010	BRKT., PULLEY #10 BULK.
	4	MS20219-2	PULLEY
	4	AN380-2-5	COTTER PIN

PARTS MANUAL
4000 FLOATS ON CESSNA 185 & 206 SERIES

ITEM	QTY	PART NO.	PART DESCRIPTION
15	2	4A01156-071	BRKT., PULLEY RR. SPR. BAR PANEL LT.
	2	4A01156-072	BRKT., PULLEY RR. SPR. BAR PANEL RT.
	12	AN526-832R6	SCREW, BRKT. ATTACH
	2	MS20219-2;	PULLEY
	2	AN4-10A	BOLT, 1/4-28, 0.5625 GRIP, UNDRILLED, STEEL
	AR	NAS1149F0463P	WASHER, 0.265 ID, 0.063 THK, STEEL
	2	MS21044N4	NUT, LOCKING, REGULAR HEIGHT, 1/4-28 UNF
16	2	4A08000-092	SHOCK CORD, CABLE TENSIONING

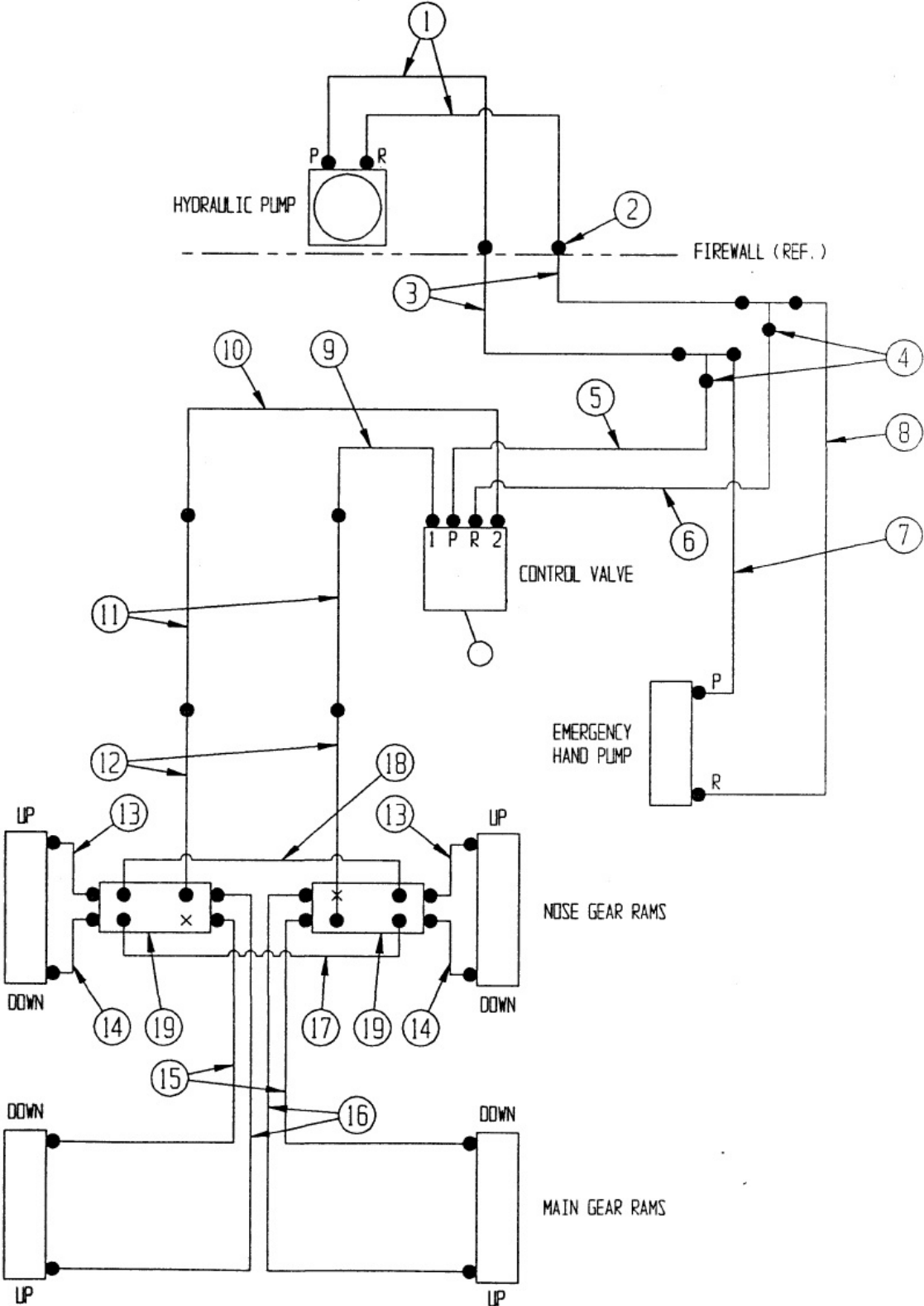
THIS PAGE INTENTIONALLY LEFT BLANK

SECTION 10 HYDRAULICS

CONTENTS

HYDRAULIC SCHEMATIC – CESSNA 185	98
HYDRAULIC SCHEMATIC – CESSNA 206	101
HYDRAULIC SCHEMATIC CESSNA 206 WITH FLOAT S/N 40097 AND UP	104
HYDRAULIC PUMP OVERVIEW	107
HYDRAULIC PUMP & MOTOR INSTALLATION – CESSNA 185	109
HYDRAULIC PUMP & MOTOR INSTALLATION – CESSNA 206	111

HYDRAULIC SCHEMATIC – CESSNA 185



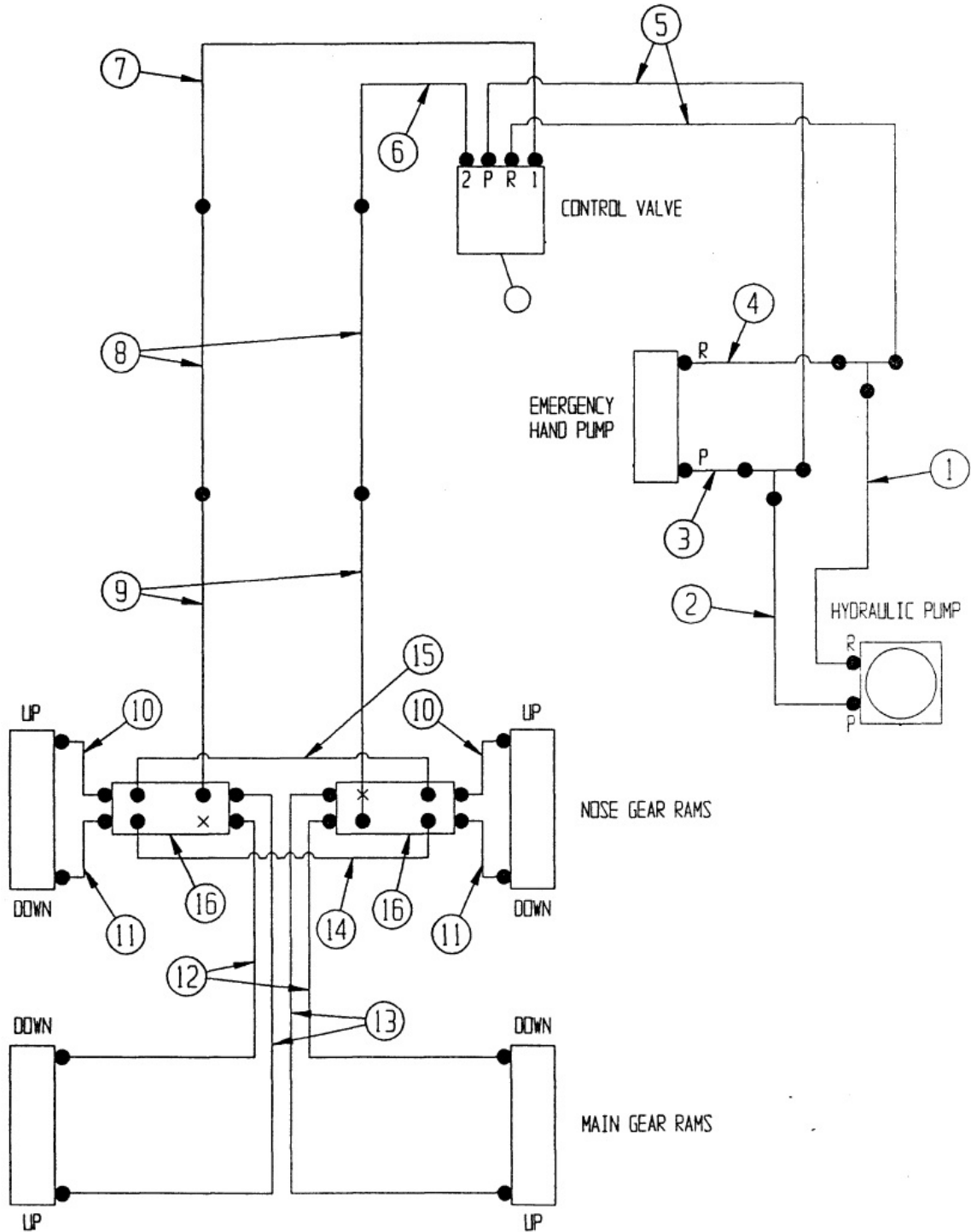
PARTS MANUAL
4000 FLOATS ON CESSNA 185 & 206 SERIES

ITEM	QTY	PART NO.	PART DESCRIPTION
-	1	4A09000-100	HYD. SYSTEM, 185
1	2	4A09000-097	ASSY., HOSE PUMP TO FIREWALL
	1	4A09670-097	LINE, 10"
	1	63-190-600-5	FTG. STRAIGHT
	1	63-190772-5	FTG., 900
2	2	AN832-5D	FTG. BULK.
3	2	4A09000-098	ASSY., HOSE, FIREWALL TO TEE
	1	4A09670-098	LINE 18"
	2	63-190-600-5	FTG. STRAIGHT
4	2	AN824-5D	FTG.-TEE
5	1	4A09000-099	ASSY., HOSE, TEE TO CONTROL VALVE
	1	4A09670-099	LINE 16"
	1	63-190-600-5	FTG. STRAIGHT
	1	63-190-773-5	FTG. 450
6	1	4A09000-100	ASSY., HOSE, TEE TO CONTROL VALVE
	1	4A09670-100	LINE 16"
	1	63-190-600-5	FTG. STRAIGHT
	1	63-190-772-5	FTG. 900
7	1	4A09000-101	ASSY., HOSE, TEE TO EMERG. HAND PUMP
	1	4A09670-101	LINE 78"
	1	63-190-600-5	FTG. STRAIGHT
	1	63-190-772-5	FTG. 900
8	1	4A09000-102	ASSY., HOSE, TEE TO EMERG. HAND PUMP
	1	4A09670-102	LINE 80"
	1	63-190-600-5	FTG. STRAIGHT
	1	63-190-772-5	FTG. 90 DEGREE
9	1	4A09000-103	ASSY., HOSE, CONTROL VALVE TO BELLY
	1	4A09670-103	LINE 53"
	1	63-190-600-5	FTG. STRAIGHT
	1	63-190-772-5	FTG. 900
10	1	4A09000-104	ASSY., HOSE, CONTROL VALVE TO BELLY
	1	4A09670-104	LINE 38"
	1	63-190-772-5	FTG. 900
	1	63-190-773-5	FTG. 450
11	2	4A09000-123	ASSY., HOSE, FLOAT DECK TO FUS.
	1	4A09670-123	LINE 54"
	2	63-190-600-5	FTG. STRAIGHT
12	2	6A09000-054	ASSY., HOSE, FLOAT DECK TO MANIFOLD
	1	6A09670-054	LINE 13.5"
	2	63-190-600-5	FTG. STRAIGHT
13	2	4A09000-093	ASSY., HOSE, MANIFOLD TO NOSE GEAR UP

PARTS MANUAL
4000 FLOATS ON CESSNA 185 & 206 SERIES

ITEM	QTY	PART NO.	PART DESCRIPTION
	1	4A09671-093	LINE 42.5"
	2	63-190-600-4	FTG. STRAIGHT
14	2	4A09000-089	ASSY., HOSE MANIFOLD TO NOSE GEAR DOWN
	1	4A09671-089	LINE 18"
	2	63-190-600-4	FTG. STRAIGHT
15	2	4A09000-091	ASSY., HOSE, MANIFOLD TO MAIN GEAR DOWN
	1	4A09671-091	LINE 100"
	2	63-190-600-4	FTG. STRAIGHT
16	2	4A09000-090	ASSY., HOSE, MANIFOLD TO MAIN GEAR UP
	1	4A09671-090	LINE 128"
	2	63-190-600-4	FTG. STRAIGHT
17	1	6A09000-069	ASSY., HOSE RT. MANIFOLD TO LT. MANIFOLD
	1	6A09670-069	LINE 125"
	2	MS35489-9	GROMMETS
	2	63-190-600-5	FTG. STRAIGHT
18	1	6A09000-058	ASSY., HOSE, RT. MANIFOLD TO LT. MANIFOLD
	1	6A09670-058	LINE 126"
	2	MS35489-9	GROMMETS
	2	63-190-600-5	FTG. STRAIGHT
19	2	4A09000-110	ASSY., MANIFOLD
	1	6A09046-001	MANIFOLD
	4	AN816-4D	FTG. #4
	3	AN816-5-4D	FTG. #5
	1	AN932-3D	PLUG #5

HYDRAULIC SCHEMATIC – CESSNA 206

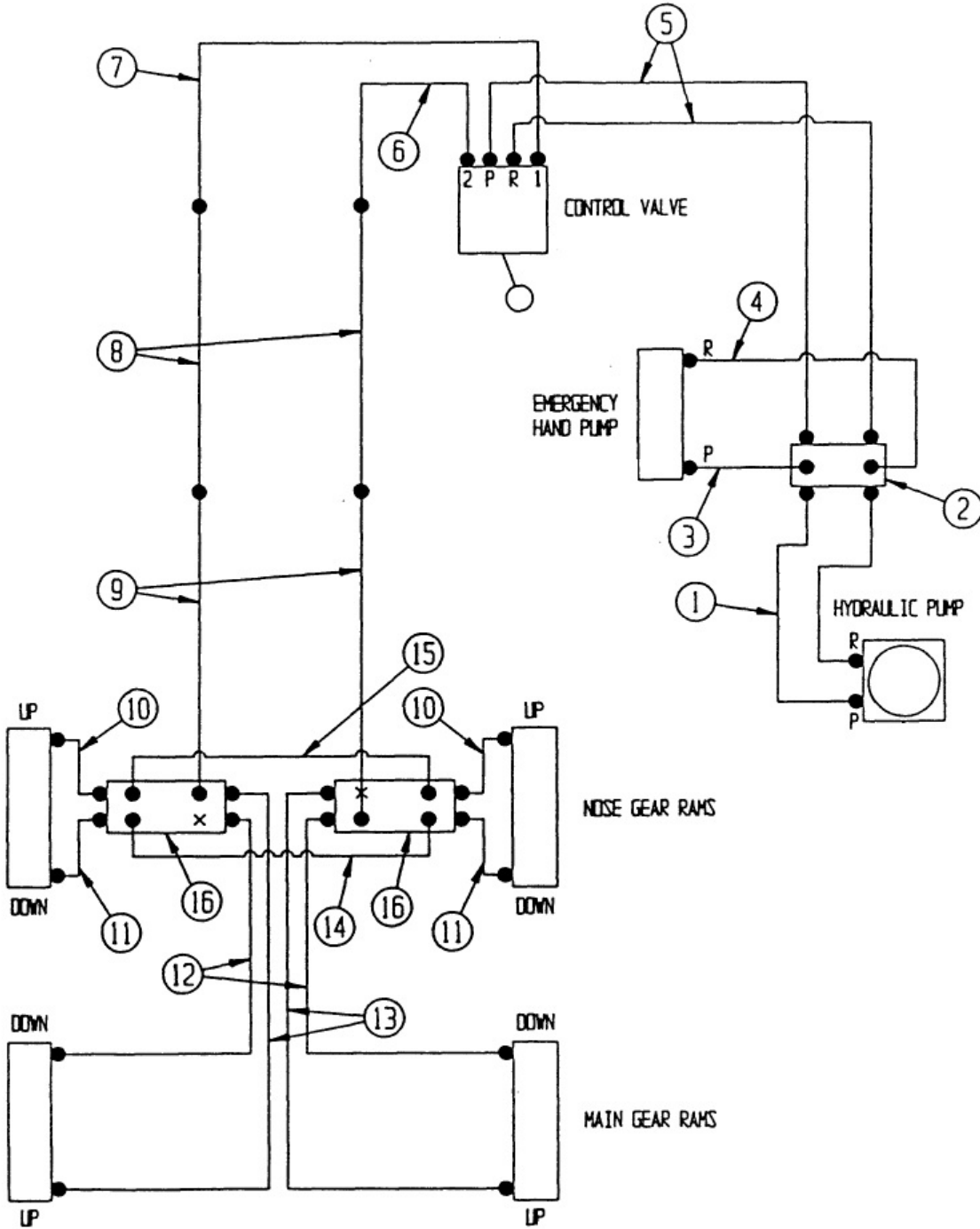


ITEM	QTY	PART NO.	PART DESCRIPTION
-	1	4A09000-200	HYD. SYSTEM, 206
1	1	4A09000-083	ASSY., HOSE, PUMP TO HAND PUMP, TEE
	1	4A09670-083	LINE, 180"
	1	63-190-600-5	FTG., STRAIGHT
	1	63-190-772-5	FTG., 90 DEGREE
2	1	4A09000-082	ASSY., HOSE, PUMP TO HAND PUMP, TEE
	1	4A09670-082	LINE, 176"
	1	63-190-600-5	FTG., STRAIGHT
	1	63-190-772-5	FTG., 90 DEGREE
3	1	4A09000-084	ASSY., HOSE, HAND PUMP TO HAND PUMP, TEE
	1	4A09670-084	LINE, 37"
	1	63-190-600-5	FTG., STRAIGHT
	1	63-190-772-5	FTG., 90 DEGREE
4	1	4A09000-085	ASSY., HOSE, HAND PUMP TO HAND PUMP, TEE
	1	4A09670-085	LINE, 32"
	1	63-190-600-5	FTG., STRAIGHT
	1	63-190-772-5	FTG., 90 DEGREE
5	2	4A09000-086	ASSY., HOSE, HAND PUMP TEE TO CONTROL
	1	4A09670-086	LINE, 26"
	1	63-190-600-5	FTG., STRAIGHT
	1	63-190-772-5	FTG., 90 DEGREE
6	1	4A09000-088	ASSY., HOSE CONTROL TO FUS. SKIN RT.
	1	4A09670-088	LINE, 49"
	2	63-190-600-5	FTG., STRAIGHT
7	1	4A09000-087	ASSY., HOSE CONTROL TO FUS. SKIN, LT.
	1	4A09670-087	LINE, 46"
	2	63-190-600-5	FTG., STRAIGHT
8	2	4A09000-112	ASSY., HOSE, FLOAT DECK TO FUS.
	1	4A09670-112	LINE, 44"
	2	63-190-600-5	FTG., STRAIGHT
9	2	6A09000-054	ASSY., HOSE, MANIFOLD TO FLOAT DECK
	1	6A09670-054	LINE, 13.5"
	2	63-190-600-5	FTG., STRAIGHT
10	2	4A09000-093	ASSY., HOSE, MANIFOLD TO NOSE GEAR, UP
	1	4A09671-093	LINE, 42.5"
	2	63-190-600-4	FTG., STRAIGHT
11	2	4A09000-089	ASSY., HOSE, MANIFOLD TO NOSE GEAR, DOWN
	1	4A09671-089	LINE, 18"
	2	63-190-600-4	FTG., STRAIGHT
12	2	4A09000-091	ASSY., HOSE, MANIFOLD TO MAIN GEAR, DOWN
	1	4A09671-091	LINE, 100"

PARTS MANUAL
4000 FLOATS ON CESSNA 185 & 206 SERIES

ITEM	QTY	PART NO.	PART DESCRIPTION
	2	63-190-600-4	FTG., STRAIGHT
13	2	4A09000-090	ASSY., HOSE, MANIFOLD TO MAIN GEAR, UP
	1	4A09671-090	LINE, 128"
	2	63-190-600-4	FTG., STRAIGHT
14	2	6A09000-069	ASSY., HOSE RT. MANIFOLD TO LT. MANIFOLD
	1	6A09670-069	LINE, 125"
	2	MS35489-9	GROMMETS
	2	63-190-600-5	FTG., STRAIGHT
15	1	6A09000-058	ASSY., HOSE, RT. MANIFOLD TO LT. MANIFOLD
	1	6A09670-058	LINE, 126"
	2	MS35489-9	GROMMETS
	2	63-190-600-5	FTG.S-STRAIGHT
16	2	4A09000-110	ASSY.-MANIFOLD
	1	6A09046-001	MANIFOLD
	4	AN816-4-4D	FTG., #4
	3	AN816-5-4D	FTG., #5
	1	AN932-3D	PLUG, #5

HYDRAULIC SCHEMATIC CESSNA 206 WITH FLOAT S/N 40097 AND UP



This figure incorporates a change to the Hydraulic Schematic which applies only to float serial numbers 40097 and up.

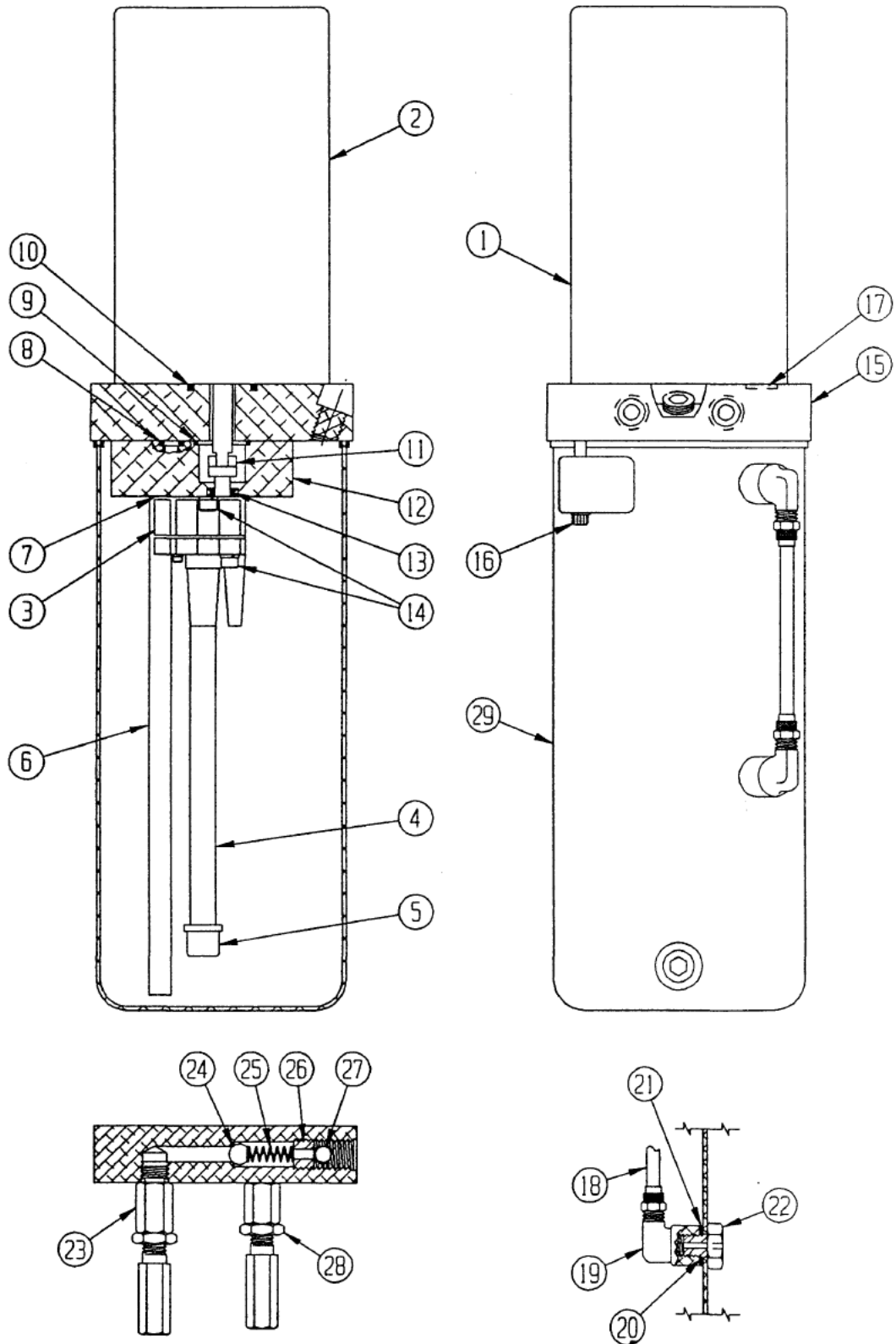
PARTS MANUAL
4000 FLOATS ON CESSNA 185 & 206 SERIES

ITEM	QTY	PART NO.	PART DESCRIPTION
-	1	N/A	HYD. SYSTEM, 206
1	2	4A09000-163	ASSY., HOSE, PUMP TO MANIFOLD
	1	2807-5	LINE, 138"
	1	63-190-600-5	FTG., STRAIGHT
	1	190772-5S	FTG., 90 DEGREE
2	1	6A09207-001	MANIFOLD
	4	AN816-5D	FITTING
	2	AN816-5-4D	FITTING
3	1	4A09000-166	ASSY., HOSE, HAND PUMP TO MANIFOLD
	1	2807-5	LINE, 16"
	2	190772-5S	FTG., 90 DEGREE
4	1	4A09000-167	ASSY., HOSE, HAND PUMP TO MANIFOLD
	1	2807-5	LINE, 20.5"
	2	190772-5S	FTG., 90 DEGREE
5	2	4A09000-164	ASSY., HOSE, MANIFOLD TO CONTROL
	1	2807-5	LINE, 63"
	1	63-190-600-5	FTG., STRAIGHT
	1	190772-5S	FTG., 90 DEGREE
6	1	4A09000-088	ASSY., HOSE, CONTROL TO FUS. SKIN RT.
	1	2807-5	LINE, 51"
	1	190773-5S	FTG., 45 DEGREE
	1	190772-5S	FTG., 90 DEGREE
7	1	4A09000-087	ASSY., HOSE, CONTROL TO FUS. SKIN LT.
	1	2807-5	LINE, 46"
	1	63-190-600-5	FTG., STRAIGHT
	1	190772-5S	FTG., 90 DEGREE
8	2	4A09000-112	ASSY., HOSE, FLOAT DECK TO FUSELAGE
	1	2807-5	LINE, 44"
	2	63-190-600-5	FTG., STRAIGHT
9	2	6A09000-054	ASSY., HOSE, MANIFOLD TO FLOAT DECK
	1	2807-5	LINE, 13.5"
	2	63-190-600-5	FTG., STRAIGHT
10	2	4A09000-093	ASSY., HOSE, MANIFOLD TO NOSE GEAR, UP
	1	2807-4	LINE, 42.5"
	2	63-190-600-4	FTG., STRAIGHT
11	2	4A09000-089	ASSY., HOSE, MANIFOLD TO NOSE GEAR, DOWN
	1	2807-4	LINE, 18"
	2	63-190-600-4	FTG., STRAIGHT
12	2	4A09000-091	ASSY., HOSE, MANIFOLD TO MAIN GEAR, DOWN
	1	2807-4	LINE, 100"
	2	63-190-600-4	FTG., STRAIGHT

PARTS MANUAL
4000 FLOATS ON CESSNA 185 & 206 SERIES

ITEM	QTY	PART NO.	PART DESCRIPTION
13	2	4A09000-090	ASSY., HOSE, MANIFOLD TO MAIN GEAR, UP
	1	2807-4	LINE, 128"
	2	63-190-600-4	FTG., STRAIGHT
14	2	6A09000-069	ASSY., HOSE RT. MANIFOLD TO LT. MANIFOLD
	1	2807-5	LINE, 125"
	2	MS35489-9	GROMMETS
	2	63-190-600-5	FTG., STRAIGHT
15	1	6A09000-058	ASSY., HOSE, RT. MANIFOLD TO LT. MANIFOLD
	1	2807-5	LINE, 126"
	2	MS35489-9	GROMMETS
	2	63-190-600-5	FTG.-STRAIGHT
16	2	4A09000-110	ASSY.-MANIFOLD
	1	6A09046-001	MANIFOLD
	4	AN816-4-4D	FTG., #4
	3	AN816-5-4D	FTG., #5
	1	AN932-3D	PLUG, #5

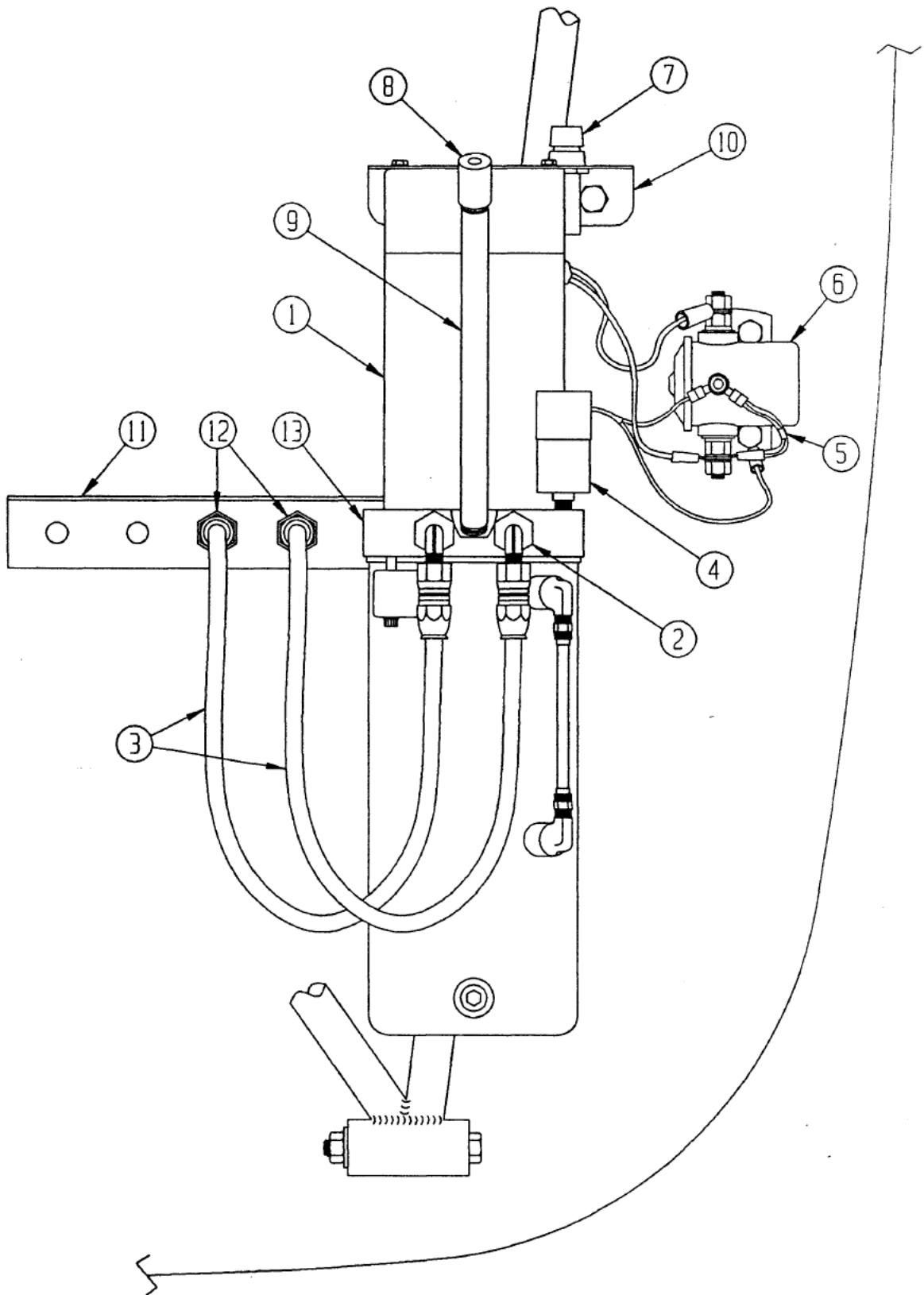
HYDRAULIC PUMP OVERVIEW



ITEM	QTY	PART NO.	PART DESCRIPTION
1	1	4A09000-094	PUMP ASSY., HYD., 185 & 206, 24V
	1	4A09000-159	PUMP ASSY., HYD., 185 & 206, 12V
2	1	MB56-N1	MOTOR ASSY., 24V
	1	MB56C902-3 KIT	BRUSHES & BEARING KIT
	1	MB56-N2	MOTOR ASSY., 12V
	1	MB56C902-3 KIT	BRUSHES & BEARING KIT
3	1	633383	PUMP, 108-32-SD-V **PARKER HYDRAULICS
4	1	4A09393-001	PICK UP TUBE
5	1	410521*	FILTER SCREEN
6	1	4A09392-001	RETURN TUBE
7	2	405387	"O" RING
8	1	401273*	"O" RING
9	2	404070	"O" RING
10	1	409406	"O" RING
11	1	361730	COUPLING
12	1	361726	SPACER
13	1	410512*	OIL SEAL
14	4	406187*	SCREW
	4	410410*	LOCKWASHER
15	1	361473	ADAPTOR
16	2	406187*	SCREW
	2	409357*	WASHER
17	2	361615	PILOT WASHER
18	1	361507	TUBING SIGHT GAUGE
19	2	410330	ELBOW
20	2	402266	"O" RING
21	2	361049	"O" RING, RETAINER
22	2	360824	SCREW SIGHT GAUGE
23	1	704520*	RELIEF VALVE ASSY.
24	1	490405*	STEEL BALL
25	1	410462*	SPRING
26	1	409211*	LOCKSCREW
27	2	409263	PIPE PLUG
28	1	704522*	THERMAL RELIEF VALVE ASSY.
29	1	4A09000-114	RESERVOIR
	1	410958*	RESERVOIR SEAL

* Reference Wipaire drawing 1011032 for alternate part numbers.

HYDRAULIC PUMP & MOTOR INSTALLATION – CESSNA 185



PARTS MANUAL
4000 FLOATS ON CESSNA 185 & 206 SERIES

ITEM	QTY	PART NO.	PART DESCRIPTION
1	1	4A09000-122	PUMP ASSY., HYD., COMPLETE, 185, 12V OR 24V
2	2	AN919-3D	REDUCER
	2	AN6227-7	"O" RING
3	2	4A09000-097	ASSY. HOSE, PUMP TO FIREWALL
	1	4A09670-097	LINE 10"
	1	63-190-600-5	FTG., STRAIGHT
	1	63-190772-5	FTG. 900
4	1	GPP1250-23	PRESSURE SWITCH
5	1	3A10000-002	ASSY., DIODE WIRE
6	1	S1580A1	SOLENOID (24V)
	1	S1579A2	SOLENOID (12V)
	2	AN4-5A	BOLT, 1/4-28 THREAD, 3/16" GRIP, 21/32" LENGTH
	A/R	NAS1149D0463J	WASHER, 0.265 ID, 0.063 THK, ALUMINUM
	2	MS21044N4	NUT, LOCKING, REGULAR HEIGHT, 1/4-28 UNF
7	1	HCM	FUSEHOLDER
	1	1/2 AMP	FUSE
8	1	6A09706-001	BREATHER, FILTER
9	1	6A09398-001	BREATHER TUBE, FILLER
10	1	3A09003-011	BRKT., PUMP MOUNT, TOP
	3	AN3-4A	BOLT, 10-32, 0.125 GRIP, UNDRILLED, STEEL
	3	MS35333-39	STAR WASHER
	3	57794	RIVNUT
11	1	3A09357-032	BRKT., LWR. PUMP MOUNT
	4	CR3243-4-3	RIVET, ATTACH, CHERRY
12	2	AN832-5D	FTG, BULK.
13	2	3A09271-001	SPACER, PUMP TO FIREWALL
	2	4A09702-013	BOLT, ATTACH

PARTS MANUAL
4000 FLOATS ON CESSNA 185 & 206 SERIES

ITEM	QTY	PART NO.	PART DESCRIPTION
1	1	4A09000-081	PUMP ASSY., HYD., COMPLETE, 206, 12V OR 24V
2	2	AN919-3D	REDUCER
	2	AN6227-7	"O" RING
3	1	4A09000-083	ASSY. HOSE, PRESSURE
	1	4A09670-083	LINE, 180"
	1	63-190-600-5	FTG., STRAIGHT
	1	63-190-772-5	FTG., 90O
4	1	4A09000-082	ASSY. HOSE, RETURN
	1	4A09670-082	LINE, 176"
	1	63-190-600-5	FTG., STRAIGHT
	1	63-190-772-5	FTG., 90O
5	1	GPP1250-23	PRESSURE SWITCH
6	1	6A09000-128	ASSY. FUSE HOLDER
	1	HCM	FUSE HOLDER
	1	1/2 AMP	FUSE
	1	GE10	WIRE, 15"
	1	GE12	WIRE, 15"
7	1	S1580A1	SOLENOID 24V
	1	S1579A2	SOLENOID 12V
	2	AN4-7A	BOLT, 1/4-28, 0.4375 GRIP, UNDRILLED, STEEL
	AR	AN960-416	WASHER
	2	MS21044N4	NUT, LOCKING, REGULAR HEIGHT, 1/4-28 UNF
8	1	3A10000-002	DIODE ASSY., WIRE
9	1	6A09706-001	BREATHER, FILLER
10	1	6A09398-001	BREATHER TUBE, FILLER
11	1	4A09008-102	PLATE, TOP MOTOR MOUNT
12	1	4A09348-008	ANGLE, PUMP MOUNT
13	2	6A09357-040	ANGLE, PUMP MOUNT FUS.
14	1	4A09008-099	PLATE, PUMP MOUNT FUS.
15	1	4A09008-101	CHANNEL, FWD., PUMP MOUNT RT.
	1	4A09008-122	CHANNEL, FWD., PUMP MOUNT LT.
16	1	4A09008-100	CHANNEL, AFT, PUMP MOUNT RT.
	1	4A09008-123	CHANNEL, AFT, PUMP MOUNT LT.

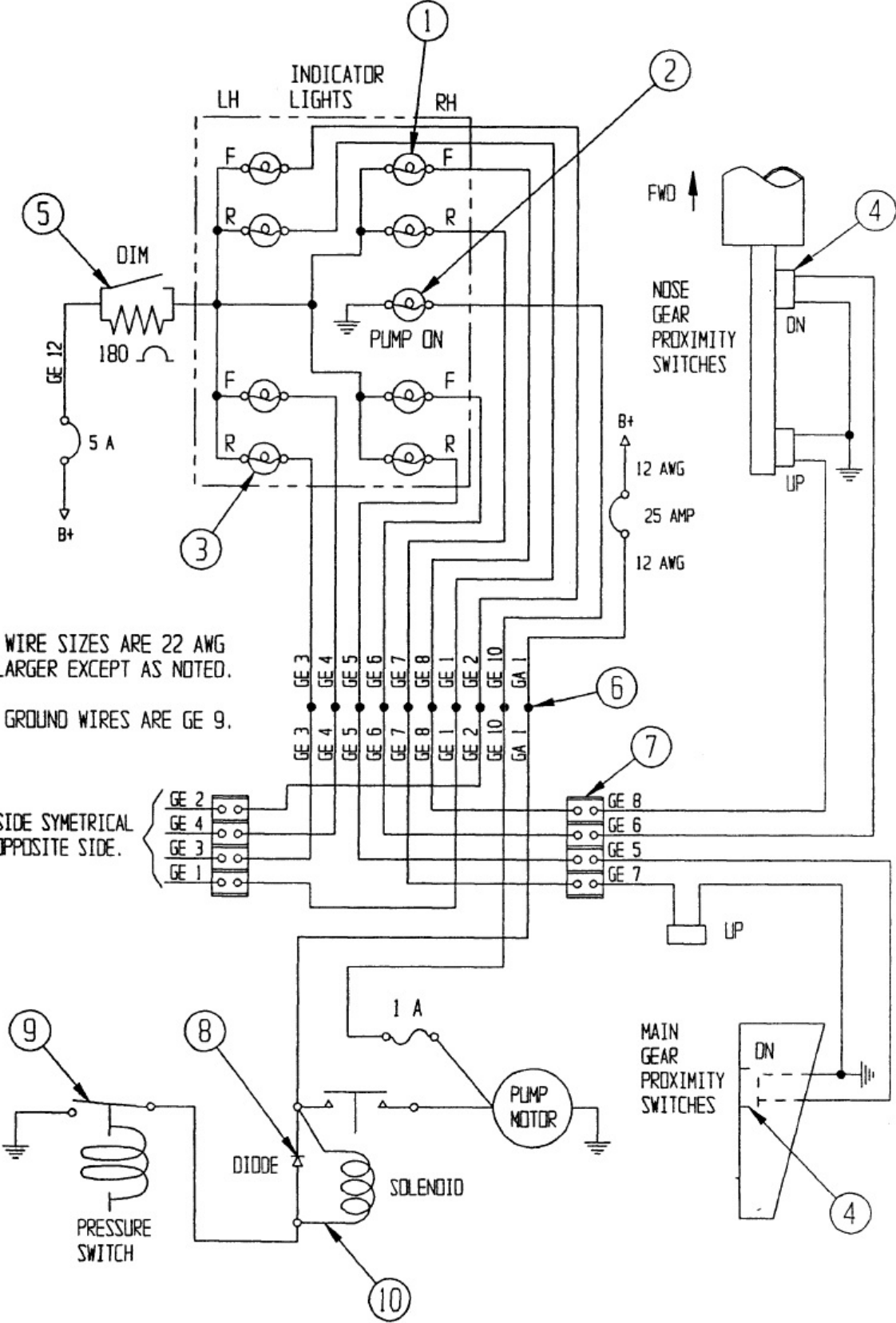
SECTION 11

ELECTRICAL

CONTENTS

ELECTRICAL SCHEMATIC	114
GEAR CONTROL ASSEMBLY.....	116

ELECTRICAL SCHEMATIC



NOTES:

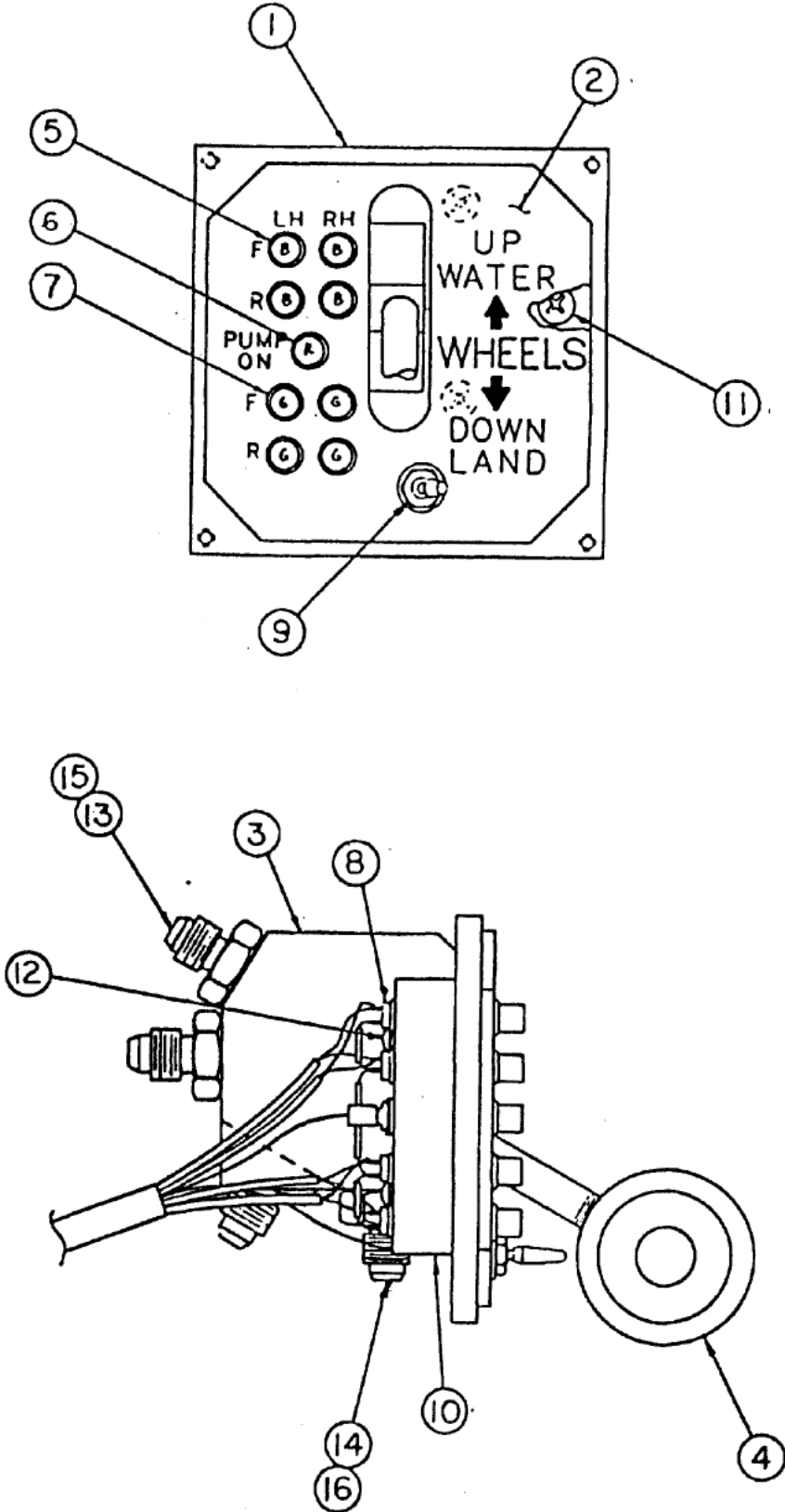
- 1. ALL WIRE SIZES ARE 22 AWG OR LARGER EXCEPT AS NOTED.
- 2. ALL GROUND WIRES ARE GE 9.

THIS SIDE SYMETRICAL WITH OPPOSITE SIDE.

PARTS MANUAL
4000 FLOATS ON CESSNA 185 & 206 SERIES

ITEM	QTY	PART NO.	PART DESCRIPTION
-	1	4A10000-100	ELECTRICAL SYSTEM, COMPLETE, 24V
-	1	4A10000-200	ELECTRICAL SYSTEM, COMPLETE, 12V
1	4	507-3918-1434-600F	LAMP/BULB, INDICATOR, BLUE, 24V
	4	507-3914-1434-600F	LAMP/BULB, INDICATOR, BLUE, 12V
2	1	507-3918-1431-600F	LAMP/BULB, INDICATOR, RED, 24V
	1	507-3914-1431-600F	LAMP/BULB, INDICATOR, RED, 12V
3	4	507-3918-1432-600F	LAMP/BULB, INDICATOR, GREEN, 24V
	4	507-3914-1432-600F	LAMP/BULB, INDICATOR, GREEN, 12V
4	8	5801	SWITCH, PROXIMITY, MAGNETIC
5	1	A101SYCB	SWITCH, DIMMER (SPDT)
6	A/R	N5628	TERMINAL, MALE
	A/R	N5629	TERMINAL, FEMALE
7	2	4-140	TERMINAL BLOCK (IN FLOAT)
8	1	3A10000-002	DIODE ASSY., WIRE
9	1	GPP1250-23	PRESSURE SWITCH
10	1	S1580A1	SOLENOID 24V
	1	S1579A2	SOLENOID 12V
11	1	109-225-101	CIRCUIT BREAKER, 24V
	1	109-240-101	CIRCUIT BREAKER, 12V

GEAR CONTROL ASSEMBLY



PARTS MANUAL
4000 FLOATS ON CESSNA 185 & 206 SERIES

ITEM	QTY	PART NO.	PART DESCRIPTION
-	1	4A11000-100	ASSY., GEAR CONTROL, COMPLETE
1	1	3A09191-002	BLOCK, SELECTOR MOUNTING
2	1	5A3-672	PLACARD, SELECTOR
3	1	9881020-2	ASSY., VALVE
4	1	0861233-2	KNOB (INCLUDED IN 9881020-2)
5	4	507-3918-1434-600F	LAMP/BULB, INDICATOR BLUE, 24V
	4	507-3914-1434-600F	LAMP/BULB, INDICATOR BLUE, 12V
6	1	507-3918-1431-600F	LAMP/BULB, INDICATOR RED, 24V
	1	507-3914-1431-600F	LAMP/BULB, INDICATOR RED, 12V
7	4	507-3918-1432-600F	LAMP/BULB, INDICATOR GREEN, 24V
	4	507-3914-1432-600F	LAMP/BULB, INDICATOR GREEN, 12V
8	9	515-0012	CONNECTOR, SOCKET
9	1	A101SYCB	SWITCH, (SPDT)
10	1	RH5180	RESISTOR, 180
11	3	AN510-10R12	SCREW
12	3	AN526-632R4	SCREW
13	3	AN815-5D	FTG.
14	1	AN919-3D	FTG.
15	3	AN6227-6	"O" RING
16	1	AN6227-7	"O" RING