

CESSNA 172 SKYHAWK

PRODUCT & MODIFICATION GUIDE



WIPLINE® 2100 FLOATS AND WIPLINE® 2350 FLOATS

Whether your dream is to tour the majestic mountains of the Idaho back-country or dance above the tree tops on the vast northern Canadian Shield, Wipaire® can outfit your Skyhawk with the versatility you need. Wipline 2100 and 2350 floats are engineered to offer rugged durability and outstanding performance, giving you the freedom to explore.

FEATURES AND BENEFITS

- Amphibious or seaplane floats available
- High bow buoyancy and a higher deadrise angle on our forward bottoms for improved handling in wind and choppy water
- Best nose and main gear on the market, proven in the field and imitated by competitors
- Non-skid coated, flat top decks for safety
- Enhanced safety with amphibious gear advisory system and gear position indicator on the float deck of amphibious floats
- Two large float hatches for gear, measuring 20 3/8" by 10 1/2" with 50 pounds carrying capacity each
- Aluminum skins and parts are laser cut and rivet holes are pre-punched so that replacement parts fit perfectly

Wipaire also offers skis, modifications, paint refinishing, interiors, avionics and maintenance. Purchase your floats and modifications from the only float company with over 55 continuous years of production and be assured we'll be there when you need support.

SPECIFICATIONS FOR WIPLINE 2350 FLOATS

WEIGHT

Amphibian System Total Weight	468 lbs (212 kg)
Amphibian Exchange Weight	331 lbs (150 kg) ¹
Seaplane System Total Weight	305 lbs (138 kg)
Seaplane Exchange Weight	168 lbs (76 kg) ¹

FLOAT DIMENSIONS

Length – Seaplane	19'7" (5.97 m)
Length – Amphibian	19'11" (6.07 m)
Height – Hull	1'11" (0.58 m)
Width – Hull	2'5" (0.74 m)
Float Locker Capacity (each)	50 lbs (22.7 kg)

DISPLACEMENT IN FRESH WATER

Amphibious Floats	2,432 lbs (1,103 kg)
Seaplane Floats	2,570 lbs (1,166 kg)

MAXIMUM FLOTATION

Amphibious Floats	2,702 lbs (1,226 kg) ²
Seaplane Floats	2,855 lbs (1,295 kg) ²

1) Exchange weight is equal to the float installation weight minus aircraft landing gear weight.

2) Per FAR 23.751 with 80% reserve buoyancy (2 floats)

SKYHAWK MODEL	GROSS WEIGHT	ENGINE	PROPELLER
172A, B, C	2,450 lbs (1,111 kg)	*	***
172D, E, F, G, H, I, L	2,500 lbs (1,134 kg)	*	***
172I, K, L	2,500 lbs (1,134 kg)	**	McCaughey 1A200/DFA8243 FP
172M, N, P	2,550 lbs (1,157 kg)	*	***
172M, N, P	2,550 lbs (1,157 kg)	**	McCaughey 1A200/DFA8243 FP
172Q	2,550 lbs (1,157 kg)	Stock	McCaughey 1A200/DFA8243 FP
172R, S	2,550 lbs (1,157 kg)	Stock	McCaughey 1A200/WFA8243 FP
F172D, E, F, G, H, K, L	2,500 lbs (1,134 kg)	*	***
F172M, N, P	2,550 lbs (1,157 kg)	*	***
FR172E, F, G, H, J, K	2,550 lbs (1,157 kg)	Stock	McCaughey 2A34C203/90DCA-10
P172D	2,500 lbs (1,134 kg)	Stock	McCaughey 1D200/OM9044
P172D	2,500 lbs (1,134 kg)	*	***
R172K	2,550 lbs (1,157 kg)	Stock	McCaughey 2A34C203/90DCA-10
175A, B, C	2,450 lbs (1,111 kg)	Stock	McCaughey 1D200/OM9044

* Engine: Lycoming O-360 (180 BHP) / Lycoming IO-360 (180 BHP)

** To have Penn Yan Aero STC SA332GL

*** Propeller: McCaughey 1A200/DFA 8243 FP, McCaughey 1A200/WFA 8243 FP, Hartzell HC-C2YR-1BF/F8477-4 Constant Speed, Hartzell HC-C2YK-1BF/ F8477-4 Constant Speed



SPECIFICATIONS FOR WIPLINE 2100 FLOATS

WEIGHT

Amphibian System Total Weight	433 lbs (197 kg)
Amphibian Exchange Weight	296 lbs (134 kg) ¹
Seaplane System Total Weight	289 lbs (131 kg)
Seaplane Exchange Weight	152 lbs (69 kg) ¹

DISPLACEMENT IN FRESH WATER

Amphibious Floats	2,185 lbs (991 kg)
Seaplane Floats	2,323 lbs (1,054 kg)

FLOAT DIMENSIONS

Length – Seaplane	17'7" (5.36 m)
Length – Amphibian	17'11" (5.46 m)
Height – Hull	1'11" (0.58 m)
Width – Hull	2'5" (0.74 m)
Float Locker Capacity (each)	50 lbs (22.7 kg)

MAXIMUM FLOTATION

Amphibious Floats	2,428 lbs (1,101 kg) ²
Seaplane Floats	2,581 lbs (1,171 kg) ²

1) Exchange weight is equal to the float installation weight minus aircraft landing gear weight.

2) Per FAR 23.751 with 80% reserve buoyancy (2 floats)

SKYHAWK MODEL

GROSS WEIGHT

ENGINE

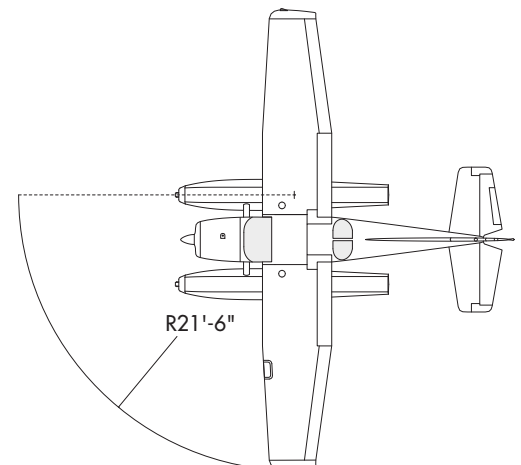
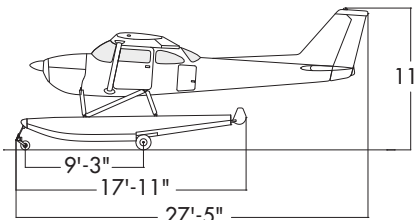
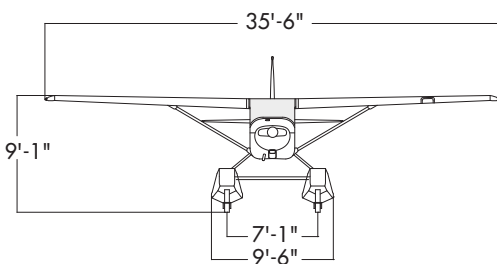
PROPELLER

172, 172A, B, C, D, E, F, G, H, I, J, K, L	2,220 lbs (1,007 kg)	Stock	Stock
172A, B, C	2,350 lbs (1,066 kg)	*	***
172I, K, L, M, N	2,300 lbs (1,043 kg)	**	McCaughey 1A200/DFA8243 FP
172P	2,400 lbs (1,089 kg)	**	McCaughey 1A200/DFA8243 FP
F172D, E, F, G, H	2,200 lbs (998 kg)	Stock	Stock
F172K, L	2,220 lbs (1,007 kg)	Stock	Stock
F172M, N	2,300 lbs (1,043 kg)	Stock	Stock
F172P	2,400 lbs (1,089 kg)	Stock	Stock
175	2,350 lbs (1,066 kg)	Stock	Stock
175	2,350 lbs (1,066 kg)	*	***

* Engine: Lycoming O-360 (180 BHP) / Lycoming IO-360 (180 BHP)

** 172 I, K, L To have Penn Yan Aero STC SA332GL

*** Propeller: McCaughey 1A200/DFA 8243 FP, McCaughey 1A200/WFA 8243 FP, Hartzell HC-C2YR-1BF/F8477-4 Constant Speed, Hartzell HC-C2YK-1BF/F8477-4 Constant Speed



WIPAIRE® SERVICES

Minimize down time on your aircraft by coordinating services at either Wipaire's South St. Paul, MN headquarters or our service center in Leesburg, FL.

MAINTENANCE

- Oil changes, borescope inspections, annuals, pre-buy inspections and more
- Restoration & upgrade services
- Float and landing gear inspections & repairs
- Cessna Single Engine Service Center

AVIONICS

- Installation & repair services including bench work
- In-flight entertainment systems
- Satellite phones and internet
- Custom video camera installation
- Perform IFR certification

INTERIORS

- Repairs to complete renovations
- Custom design service
- Interior modifications & upgrades
- Custom embroidery available
- Meticulous attention to detail

PAINT REFINISHING

- Retouching & repair services
- Custom airbrushed art and decals
- Meticulous attention to detail
- Float paint matching available

AIRCRAFT SALES & ACQUISITIONS

- Experienced & market savvy staff
- Customized marketing strategy
- Pre-buy inspections
- No hassle document preparation & filing



South St. Paul, MN (KSGS) - 651.451.1205

FAA CRS #RJWR390K - EASA 145.6194

Leesburg, FL (KLEE) - 352.323.4809

FAA CRS #RJWD390K

www.wipaire.com