

# CESSNA 185 SKYWAGON

## PRODUCT & MODIFICATION GUIDE



## WIPLINE® 3000 FLOATS

Whether your dream is to fly to the remote glaciers of Alaska's Denali National Park or hop between white sand beaches of the islands, Wipaire® can outfit your Cessna 185 Skywagon with the versatility and performance you need. Wipline 3000 floats are engineered to offer rugged durability and outstanding performance, giving you the freedom to explore.

### FEATURES AND BENEFITS

- Amphibious or seaplane floats available
- Modern hydrodynamic design with fluted bottom skins, sister keels and high bow buoyancy to get off the water quickly and perform in a wide range of conditions
- Best nose and main gear on the market, proven in the field and imitated by competitors
- Internal cables for water rudder controls
- Non-skid coated, flat top decks for safety
- Enhanced safety with amphibious gear advisory system and gear position indicator on the float deck of amphibious floats
- Two large float hatches for gear, measuring 25¾" x 12" with 50 pounds carrying capacity each
- Aluminum skins and parts are laser cut and rivet holes are pre-punched so that replacement parts fit perfectly
- Replaceable wear strips on main keel for ease of maintenance

Wipaire also offers skis, modifications, paint refinishing, interiors, avionics and maintenance. Purchase your floats and modifications from the only float company with over 55 continuous years of production and be assured we'll be there when you need support.

# SPECIFICATIONS FOR WIPLINE 3000 FLOATS

## WEIGHT

Amphibian System Total Weight	632 lbs (287 kg)
Amphibian Exchange Weight	483 lbs (219 kg) <sup>1</sup>
Seaplane System Total Weight	432 lbs (198 kg)
Seaplane Exchange Weight	282 lbs (128 kg) <sup>1</sup>
Aircraft Gross Weight	3,350 lbs (1,519 kg)

## DISPLACEMENT IN FRESH WATER

Amphibious Floats	3,125 lbs (1,417 kg)
Seaplane Floats	3,301 lbs (1,497 kg)

## MAXIMUM FLOTATION

Amphibious Floats	3,472 lbs (1,474 kg) <sup>2</sup>
Seaplane Floats	3,668 lbs (1,664 kg) <sup>2</sup>

1) Exchange weight is equal to the float installation weight minus aircraft landing gear weight.

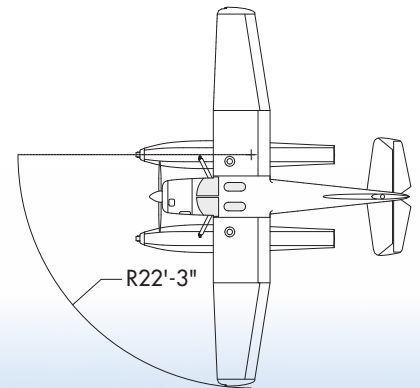
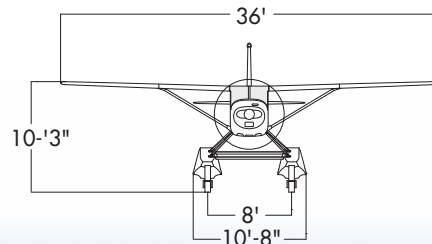
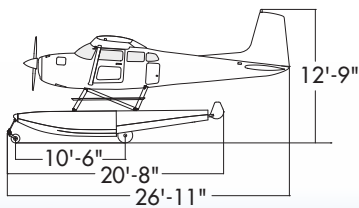
2) Per FAR 23.751 with 80% reserve buoyancy (2 floats)

## FLOAT DIMENSIONS

Length – Seaplane	20'1" (6.12 m)
Length – Amphibian	20'8" (6.30 m)
Height – Hull	2'5" (0.74 m)
Width – Hull	2'8" (0.81 m)
Float Locker Capacity (each)	50 lbs (22.7 kg)

## 185 PERFORMANCE ON AMPHIBIOUS FLOATS

Engine	Continental IO-520
Take off run (land)	760 ft (231 m)
Take off over 50 ft obstacle (land)	1,325 ft (404 m)
Take off run (water)	1,125 ft (343 m)
Take off over 50 ft obstacle (water)	1,710 ft (521 m)
Rate of climb (per/min)	950 ft (290 m)



# MODIFICATIONS & SKIS FOR THE CESSNA 185

## CONTINENTAL IO-550 ENGINE UPGRADE

One of the most effective ways of enhancing the capability and performance of your 185 is to add an IO-550 engine and Hartzell or McCauley "Power Prop." The IO-550 upgrade is rated at 300 horsepower, like the standard 520, but is rated at a higher torque. This gives you an additional 150 to 175 points of thrust for seaplanes, and a quieter ride. Unlike the 520, the IO-550 enables a maximum continuous cruising rate at 300 hp instead of just 285 hp.

- 300 hp max continuous operation
- 8-10% torque increase over the 520
- 150 RPM less than the 520 = greater longevity
- 8-10% increased cruise speed
- 8-10% shorter take-off



## WIPLINE AIRGLIDE SKIS

The Cessna 185 can be equipped with skis to keep you going all year. Our non-penetration skis offer peak performance on either snow or the runway. Compromised penetration skis result in extra drag from a wheel during a snow landing or take-off and potential damage to the ski on dry ground. Our ski operates as either a full ski OR a wheel at your discretion. Now you don't have to sacrifice performance for convenience!

- Operate as either a full ski or a wheel at your discretion
- Ski is supported by the tire during ski landing for extra stability, shock absorption and support
- Aluminum parts are anodized or epoxy primed ensuring corrosion resistance.
- High density polyethylene bottom skins deliver high performance in slush and prevent freeze down
- Ski hydraulic system is compatible with Wipline floats making the seasonal switch from floats to skis easier
- CT3000 tail ski also available

### C3200 SKI SPECIFICATIONS

Dimensions	84½" x 21" (2.2 m x .5m)
Weight	122 lbs* (55.3 kg)

### C3600 SKI SPECIFICATIONS

Dimensions	84¾" x 21½" (2.2 m x .5m)
Weight	136 lbs* (61.7 kg)

\*Weight is for two skis. The Electro-Hydraulic Power Pack adds an additional 17 lbs.



# WIPAIRE SERVICES

Minimize down time on your aircraft by coordinating services at either Wipaire's South St. Paul, MN headquarters or our service center in Leesburg, FL.

## MAINTENANCE

- Oil changes, borescope inspections, annuals, pre-buy inspections and more
- Restoration & upgrade services
- Float and landing gear inspections & repairs
- Cessna Single Engine Service Center

## AVIONICS

- Installation & repair services including bench work
- In-flight entertainment systems
- Satellite phones and internet
- Custom video camera installation
- Perform IFR certification

## INTERIORS

- Repairs to complete renovations
- Custom design service
- Interior modifications & upgrades
- Custom embroidery available
- Meticulous attention to detail

## PAINT REFINISHING

- Retouching & repair services
- Custom airbrushed art and decals
- Meticulous attention to detail
- Float paint matching available

## AIRCRAFT SALES & ACQUISITIONS

- Experienced & market savvy staff
- Customized marketing strategy
- Pre-buy inspections
- No hassle document preparation & filing



South St. Paul, MN (KSGS) - 651.451.1205

FAA CRS #RJWR390K - EASA 145.6194

Leesburg, FL (KLEE) - 352.323.4809

FAA CRS #RJWD390K

[www.wipaire.com](http://www.wipaire.com)