

CESSNA 208 CARAVAN

PRODUCT & MODIFICATION GUIDE



WIPLINE® 8750 FLOATS

Flying to the remote Canadian Shield or hopping between white sand beaches of the islands, Wipaire® can outfit your Caravan with the versatility you need. The Cessna Caravan is frequently referred to as the sport utility vehicle of the air. Combine this workhorse of an aircraft with a set of rugged Wipline 8750 floats and our performance, convenience or utility enhancing modifications and you have an aircraft that will fly you from business meeting to your weekend getaway.

FEATURES AND BENEFITS

- Amphibious or seaplane floats available
- Gross weight increase to 8,750 pounds on floats, an increase of 750 lbs from the stock Caravan gross weight
- Features more buoyancy at the aft of the float than the legacy 8000 float
- Hull features fluted, high deadrise forward bottoms and extra buoyancy — inspired by our very successful 13000 float for the Twin Otter, which is renowned for its superior handling in high seas and wind
- Low maintenance main gear retraction mechanism and oleo design with no latches or slides to lubricate or stick
- Best nose and main gear on the market, proven in the field and imitated by competitors
- Enhanced safety with amphibious gear advisory system and gear indicator on float deck of amphibious floats
- Non-skid coated, flat top decks for safety
- Four large float hatches for gear with 150 pounds carrying capacity each
- Aluminum skins and parts are laser cut and rivet holes are pre-punched so that replacement parts fit perfectly
- Replaceable wear strips on main keel for ease of maintenance

Wipaire also offers modifications, paint refinishing, interiors, avionics and maintenance. Purchase your floats and modifications from the only company with over 55 years of continuous float production and be assured we'll be there when you need support.

SPECIFICATIONS FOR WIPLINE 8750 FLOATS

WEIGHT

| | |
|-------------------------------|---------------------------------|
| Amphibian System Total Weight | 1,678 lbs (761 kg) |
| Amphibian Exchange Weight | 1,142 lbs (518 kg) ¹ |
| Seaplane System Total Weight | 1,294 lbs (587 kg) |
| Seaplane Exchange Weight | 757 lbs (343 kg) ¹ |
| Aircraft Gross Weight | 8,750 lbs (3,969 kg) |

FLOAT DIMENSIONS

| | |
|------------------------------|-----------------|
| Length – Seaplane | 31' 2" (9.50 m) |
| Length – Amphibian | 31' 9" (9.68 m) |
| Height – Hull | 3' 3" (0.99 m) |
| Width – Hull | 3' 6" (1.07 m) |
| Float Locker Capacity (each) | 150 lbs (68 kg) |

DISPLACEMENT IN FRESH WATER

| | |
|-------------------|----------------------|
| Amphibious Floats | 8,240 lbs (3,738 kg) |
| Seaplane Floats | 8,741 lbs (3,965 kg) |

MAXIMUM FLOTATION

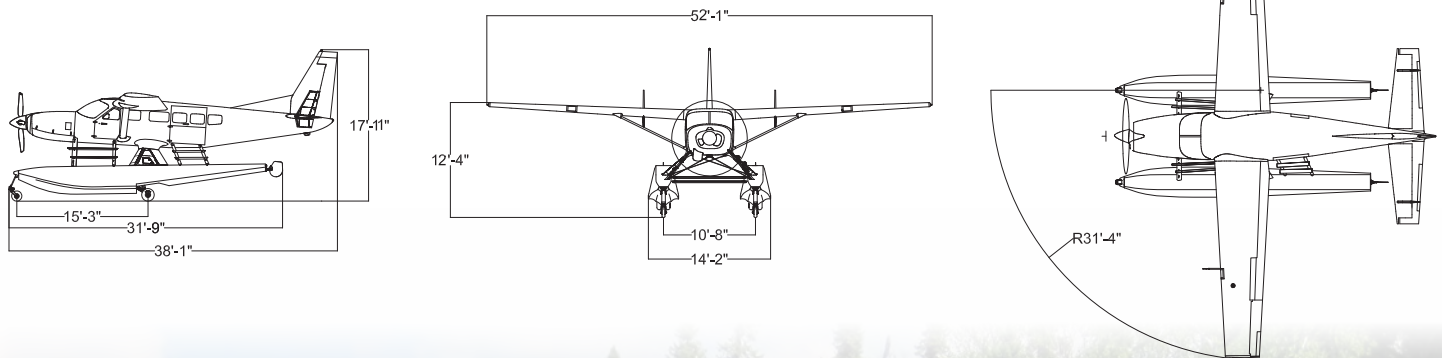
| | |
|-------------------|-----------------------------------|
| Amphibious Floats | 9,155 lbs (4,153 kg) ² |
| Seaplane Floats | 9,712 lbs (4,405 kg) ² |

CARAVAN PERFORMANCE ON AMPHIBIOUS FLOATS

| | |
|--------------------------------------|------------------------|
| Engine | PT6A-114A (675 HP) |
| Take off run (land) | 1,431 ft (436 m) |
| Take off over 50 ft obstacle (land) | 2,422 ft (738 m) |
| Take off run (water) | 2,341 ft (714 m) |
| Take off over 50 ft obstacle (water) | 3,660 ft (1,116 m) |
| Rate of climb | 947 ft/min (289 m/min) |

1) Exchange weight is equal to the float installation weight minus aircraft landing gear weight.

2) Per FAR 23.751 with 80% reserve buoyancy (2 floats)



MODIFICATIONS FOR THE CESSNA CARAVAN

- Aurora™ Interior - Executive Interior for the Caravan Series
- Single Point Fueling
- Exhaust Deflector
- 8,360 lb Gross Weight Increase
- Blackhawk XP140 Performance Upgrade to 867 HP
- Increase to 675 HP
- AeroTwin Extended Baggage Kits
- Cargo Pod Installations
- Seaplane Firewall Enhancements
- Factory AC & De-Ice Installations
- Propeller Pitch Latch Kits
- Hartzell & McCauley Aluminum Propellers

POPULAR MODIFICATIONS:

SINGLE POINT FUELING FOR THE CARAVAN

Outfit your Caravan with Wipaire's single point fueling system and save time. Adding single point fueling capability makes your fuel stops at airports simpler, safer and faster. This modification enables your Caravan to be fueled by standard fueling trucks at ground level removing the requirement for tall ladders and filling tanks individually. Reduce your fueling time so you can get on to your destination faster!

- Available on floats or wheels
- Compatible with G1000 or resistive fuel systems
- Easy to use digital touch screen control panel
- High precision fuel measurement controls
- Electronic fuel level monitoring for reliable fuel top off
- Measure fuel in gallons, liters, kilograms or pounds
- Master power not required to fuel
- Pilot does not need to be present during refueling
- Eliminate the risk of TKS anti-ice system or wing damage from over-the-wing fueling

| | |
|---------------------|--|
| Installation Weight | 24 lbs (10.9 kg) |
| Refueling Rate | 60 gal/min at 40 psi |
| Power Requirement | 5 amps DC |
| Control | Aft end of the pilot's left side console panel |
| Nozzle | Aft of the left hand gear for landplane On the left hand pylon for seaplane |



EXHAUST DEFLECTOR

Tired of your Caravan getting a dirty belly? This modification directs exhaust away from the belly of the aircraft and steps of the floats keeping them clean from exhaust soot. This exhaust deflector is approved for Cessna 208 Caravans with the straight Cessna exhaust. The deflector can be installed on aircraft with Wipline 8000 and 8750 floats, as well as on landplanes.



WIPAIRE SERVICES

Minimize down time on your aircraft by coordinating services at either Wipaire's South St. Paul, MN headquarters or our service center in Leesburg, FL.

MAINTENANCE

- Oil changes, borescope inspections, annuals, pre-buy inspections and more
- Restoration & upgrade services
- Float and landing gear inspections & repairs
- Cessna Caravan Service Center

AVIONICS

- Garmin G600 upgrades
- Installation & repair services including bench work
- In-flight entertainment systems
- Satellite phones and internet
- Custom video camera installation
- Perform IFR certification

INTERIORS

- Repairs to complete renovations
- Aurora Interior, executive interior for the 208 and 208B
- Interior modifications & upgrades
- Custom design service
- Custom embroidery available

PAINT REFINISHING

- Retouching & repair services
- Custom airbrushed art and decals
- Meticulous attention to detail
- Float paint matching available

AIRCRAFT SALES & ACQUISITIONS

- Experienced & market savvy staff
- Customized marketing strategy
- Pre-buy inspections
- No hassle document preparation & filing



South St. Paul, MN (KSGS) - 651.451.1205

FAA CRS #RJWR390K - EASA 145.6194

Leesburg, FL (KLEE) - 352.323.4809

FAA CRS #RJWD390K

www.wipaire.com