

1996 CESSNA CARAVAN AMPHIB

N366TA SN: 20800249



Aircraft Description

Wipaire is happy to present this ready to operate amphibious Caravan, with only 1,906 Hrs TT SMOH, with CT Blade AD Complied, Wipline 8000 Amphibious Floats and a Garmin GTN 750 Nav/Com/GPS (Touch Screen). This Caravan has been maintained to commercial standard and is a great option for startup seaplane operators. Currently used in US 135 Commercial Operations! Custom paint in 2013, interior upgraded 2010, 07/2017 Annual Inspection and Cescom current. Make offer!

PRICE **Make Offer**

AIRCRAFT N366TA SN: 20800249
9373 Hrs TT

ENGINE PT6-114A 675 HP 5075 Hrs TT 1906 Hrs SMOH / 746 SHSI
CT Blade AD complied

PROPELLER Hartzell 3 Blade HC-B3TN-3DY (New 03/2015) 900 Hrs TT

FEATURES Wipline 8000 Amphibious Floats
Boiler Plate Firewall Reinforcement
Relish Tray Reinforcement
8360 Gross Weight
Air Conditioning

EQUIPMENT Land Plane Gear

INTERIOR Interior Upgraded in 2010: Cessna Grey Leather, High Density Seating, Pilot and Co-Pilot plus
Three Doubles and Two Singles

EXTERIOR Matterhorn White with Blue Accent Striping. Newly Painted 2013.



- AVIONICS**
- GTN 750 Nav/Com/GPS with Touch Screen
 - KGP 560 EGPWS
 - KX165 VHF Nav/Com
 - GTX 330 Transponder
 - WX 900 Stormscope
 - KFC 150 Autopilot
 - KEA 5035P P45 Encoding Altimeter
 - RDR 2000 Color Weather Radar
 - KHF 950 HF
 - KN 63 DME
 - KMA 24 Audio Panel
 - KCS 55A HSI
 - Artex 406 ELT
 - KR 87 ADF
 - Co Pilot Instruments
 - Power Outlets

Prices are in U.S. Dollars, FOB St. Paul, Minnesota, U.S.A., and are subject to change without notice. Prices do not include taxes, duties or tariffs. The accuracy of the above specifications are only offered as to the best of our knowledge at the time this document was printed. Aircraft is subject to prior sale and/or removal from the market. Aircraft to be sold "as is, where is." All specifications and representations of the aircraft are subject to verification by the buyer before purchase.



AIRCRAFT DESCRIPTION



Custom Updated Interior in 2010.



Custom Paint; new in 2013!



CESSNA CARAVAN ON WIPLINE 8000 FLOATS

WEIGHT		
	Amphibian System Total Weight	656 kg / 1,446 lbs
	Amphibian Exchange Weight*	439 kg / 967 lbs
	Seaplane System Total Weight	552 kg / 1,216 lbs
	Seaplane Exchange Weight*	334 kg / 737 lbs
	Gross Weight**	3,792 kg / 8,360 lbs

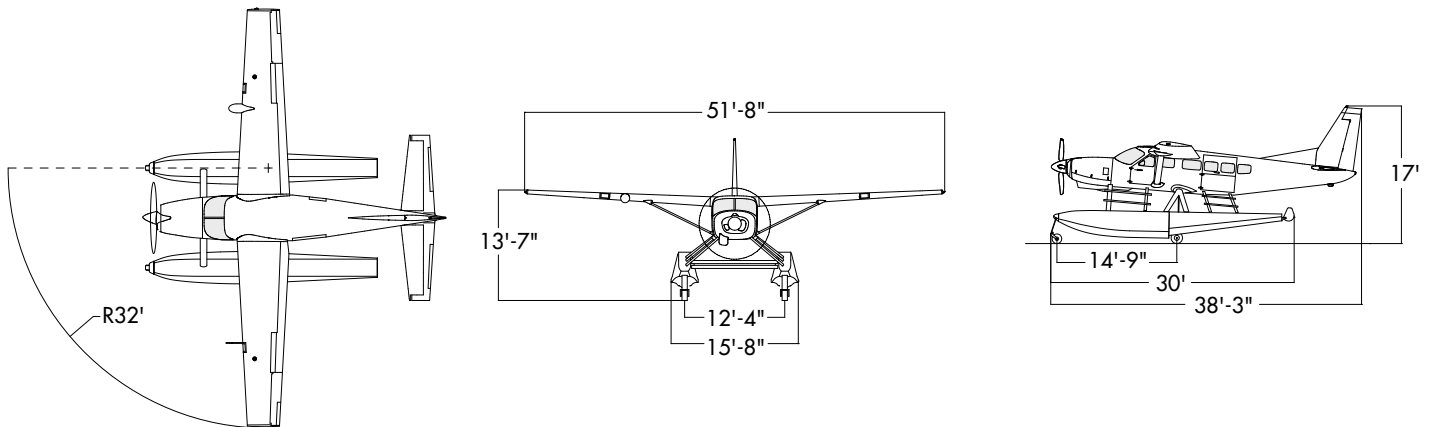
FLOAT DIMENSIONS		
	Length – Seaplane	9.02 m / 29'7"
	Length – Amphibian	9.14 m / 30'0"
	Height – hull	0.99 m / 3'3"
	Width – hull	1.02 m / 3'4"
	Float Locker capacity (each)	22.7 kg / 50 lbs

DISPLACEMENT ON FRESH WATER		
	Amphibious (100%)	3,593 kg / 7,922 lbs
	Amphibious (80%)* **	3,993 kg / 8,802 lbs
	Seaplane (100%)	3,678 kg / 8,108 lbs
	Seaplane (80%)* **	4,086 kg / 9,009 lbs

* Exchange Weight is equal to the float installation weight minus aircraft landing gear weight.

** With 8360 Gross Weight Increase installed.

*** Maximum aircraft gross weight with 80% reserve buoyancy (2 floats) as per FAR 23.751.



FOR MORE INFORMATION CONTACT

Brittnie Brink
Aircraft Sales & Acquisitions
Direct: 651.209.7170
bbrink@wipaire.com

Diane Wille
Aircraft Sales & Acquisitions Coordinator
Direct: 651.209.7190
dwille@wipaire.com