



Wipline 7000 Floats

Take your Kodiak, a rugged backcountry turbine aircraft with modern STOL design and high useful load, add a set of Wipline 7000 floats, and you will be well on your way to exploring destinations beyond your imaginations. Wipline amphibious floats allow you to maintain your investment on any airport, but give you the flexibility to reach any water destination within the Kodiak's amazing range.

The Wipline 7000 float is modeled after the successful Wipline 13000 floats, which have improved rough water handling qualities for float-equipped aircraft. The floats include the traditional Wipline flat top deck for easy loading and safety. The main gear system features an updated design, which improves reliability and makes for easy maintenance. Obtain your floats and modifications from the only float company with over 55 continuous years of production and be assured we'll be there when you need support.

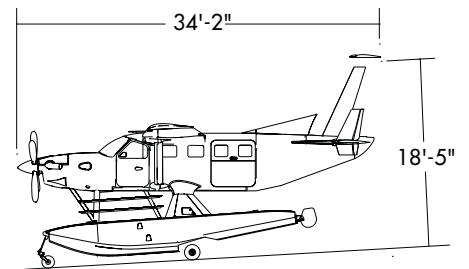
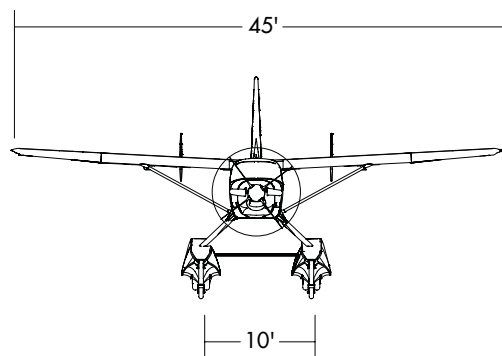
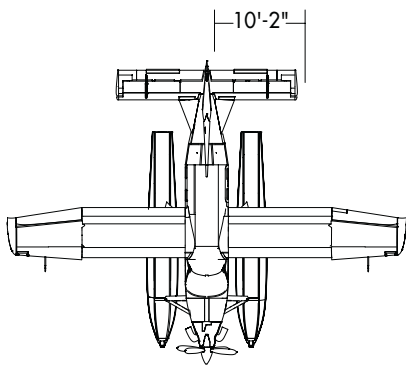
- Completely riveted construction for easy repair and maintenance.
- Bottom skins are extra thick between the keel and sister keel to resist abrasion from rocky shorelines and limit remote repairs.
- Each hull part is digitally manufactured with great precision for ease of replacement or repair.
- **Improved main gear design** is easier to maintain and includes a new, improved oleo design and a simplified actuating mechanism. The trailing link main gear also makes for softer landings and smoother taxi.
- Visual gear indicators on the float decks provide additional assurance of gear position.
- Includes an **Amphibious Gear Advisory System** for reassurance on your gear position every time.
- **Four large storage hatches with baggage floors**, each with a generous 150 lb capacity, to carry everything for your trip including propane tanks.
- Pylon attachment contributes to lift and adds stability to the installation, as well as a stiffer and more efficient structural mounting system.
- Dual hydraulic power packs for redundancy and faster gear extension and retraction.
- Reversible pump eliminates hydraulics behind the panel.
- All deck and aircraft attachment fittings are visible for post flight maintenance and inspection.
- Rope storage in the pylons keeps your ropes easily accessible and dry.

SPECIFICATIONS

QUEST KODIAK ON WIPLINE 7000 FLOATS

WEIGHT	Amphibian System Total Weight	1,435 lbs (651 kg)
	Amphibian Exchange Weight*	993 lbs (450 kg)
	Gross Weight	7,255 lbs (3,291 kg)
FLOAT DIMENSIONS	Length – Amphibian	23'8" (7.20 m)
	Height – hull	3'3" (0.99 m)
	Width – hull	3'6" (1.07 m)
	Draw Depth	24" (0.61 m)
DISPLACEMENT ON FRESH WATER	Amphibious (100%)	6,808 lbs (3,088 kg)
	Amphibious (80%)**	7,500 lbs (3,402 kg)
PERFORMANCE	Engine	PT6A-34 (750 shp)
	Take off run (land)	1,474 ft (449 m)
	Take off over 50 ft obstacle (land)	2,290 ft (698 m)
	Take off run (water)	1,658 ft (505 m)
	Take off over 50 ft obstacle (water)	2,710 ft (826 m)
	Rate of climb	1,199 ft/min (365 m/min)

* Exchange Weight is equal to the float installation weight minus aircraft landing gear weight.
 ** Maximum aircraft gross weight with 80% reserve buoyancy (2 floats) as per FAR 23.751.



Quest Kodiak Modifications



Single Point Fueling System

- Enables the aircraft to be filled from the ground
- Electronic monitoring ensures that the aircraft is reliably topped-off
- Digital display with touch screen controls



Convenience Package

- Door limit strap, prevents cowl damage
- Storage pockets for doors
- Pull handle for doors
- Cup holder mounted on door
- Headset stow straps



Hartzell 3-Blade Propeller Upgrade

- Static thrust increases by 1.5%
- Take off roll on water is reduced by up to 8 seconds
- Distance required to climb over a 50 foot obstacle during take off is reduced by 400-600 feet

