



WIPLINE FLOATS • SKIS • MODIFICATIONS • AIRCRAFT SALES  
AVIONICS • INTERIOR • MAINTENANCE • PAINT REFINISHING

## SERVICE LETTER 187

### 10000 ANCHOR CHANNEL INSTALLATION

<b>Aircraft Makes/Model(s):</b>	<b>Float Model(s):</b>	<b>Compliance:</b> Optional	<b>By:</b> RCG
AT-802 AT-802A	10000A	<b>Part Number:</b> 1009888	<b>Approved:</b> CAS
		<b>Date:</b> 10/26/2018	<b>Revision:</b> B

### LOG OF REVISIONS

Revision	Description	Date
A	Initial release	9/4/2018
B	Added baggage floor bulkhead attach hardware	10/26/2018

FAA approval has been obtained for technical data in this publication that affects STC or TSO design compliance

#### EFFECTIVITY:

This service letter applies to Air Tractor models AT802 and AT802A with Wipline 10000A Fireboss Amphibious installed per STC SA01795CH

#### COMPLIANCE:

Optional compliance

#### BACKGROUND:

An optional channel has been designed to install in the baggage compartment for an anchor to be mounted to

#### COMPLIANCE METHOD:

Install provided parts as shown in the Work Instruction section of this service letter

#### APPROXIMATE SHOP HOURS:

Installing the anchor mount will take approximately 1 labor hour to install per per float set. Add 1 hour if an existing foam tank needs to be removed

#### WARRANTY INFORMATION:

This service letter does not include warranty for labor and parts

#### TECHNICAL DATA:

Copies of this service letter, associated service kit (if applicable), float service manual, and float parts manual are available at [www.wipaire.com](http://www.wipaire.com)

1700 Henry Ave - Fleming Field (KSGS), South St. Paul, MN 55075

Phone: 651.451.1205 | Fax: 651.457.7858

[www.wipaire.com](http://www.wipaire.com)

## CONTENTS

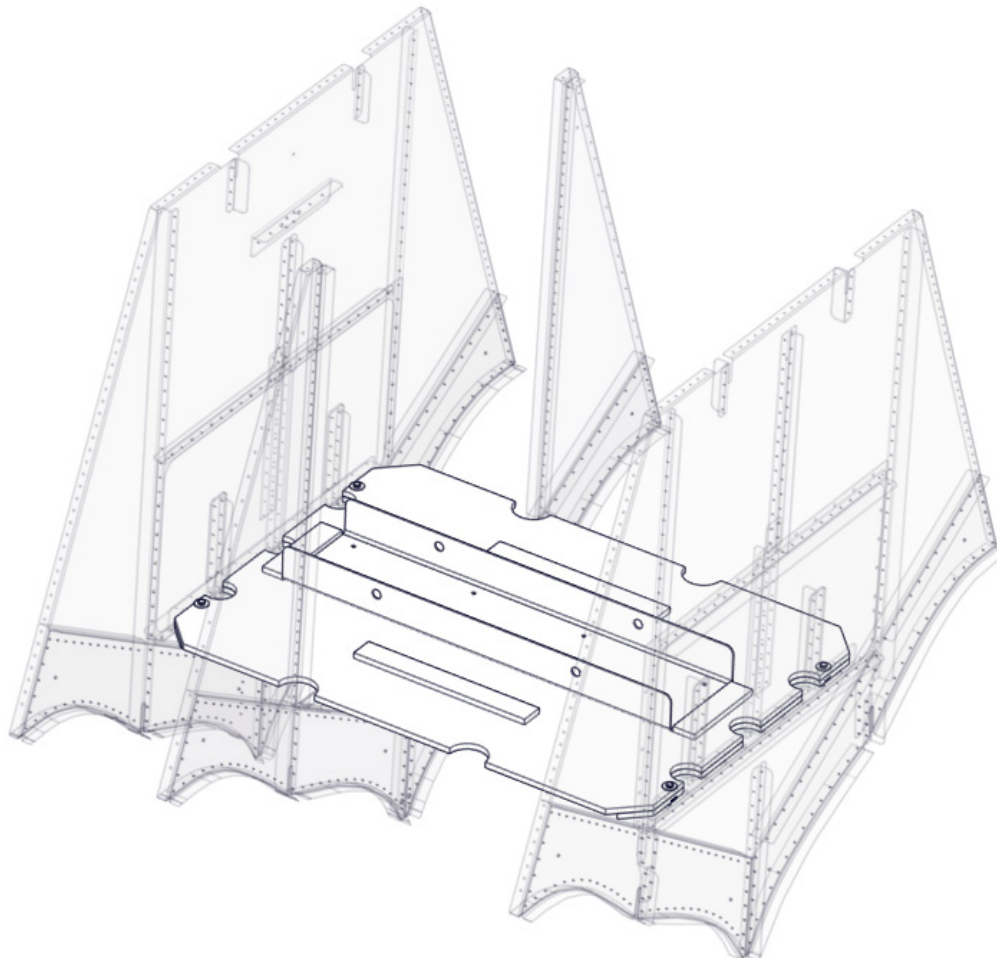
WORK INSTRUCTION ..... 2  
AIRCRAFT CLOSING AND RETURN TO SERVICE ..... 3

### ITEMS PROVIDED IN SERVICE KIT 1009888-01 (1 SET OF FLOATS)

ITEM	QTY	PART NUMBER	DESCRIPTION
1	1	1009883	ANCHOR CHANNEL
2	8	AN4-10A	BOLT
3	8	AN970-4	LARGE AREA WASHER
4	8	NAS1149F0463P	WASHER
5	8	MS21044N4	NUT
6	4	AN3-12A	BOLT (use if required)
7	4	AN970-3	WASHER (use if required)
8	4	CN130120	CLIP NUT (use if required)

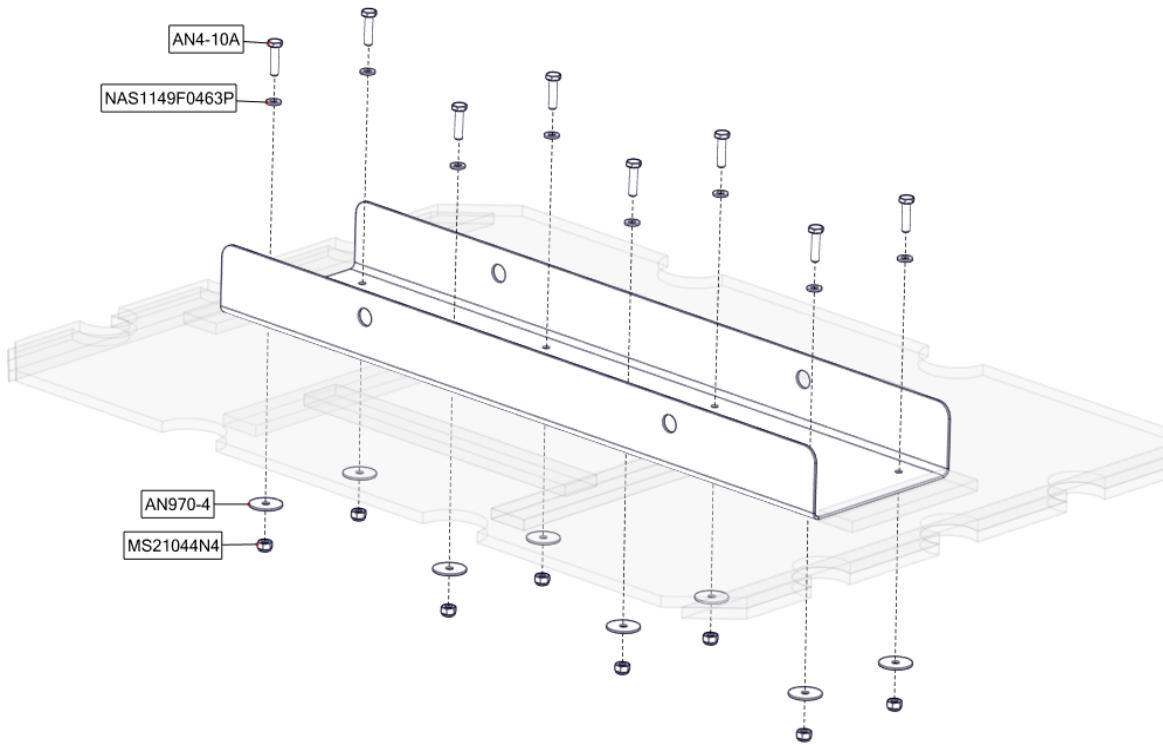
## WORK INSTRUCTION

1. Determine which baggage compartment will be used to store anchor and remove foam tank if applicable
2. Open float baggage compartment and center 1009883 anchor channel on baggage floor panel



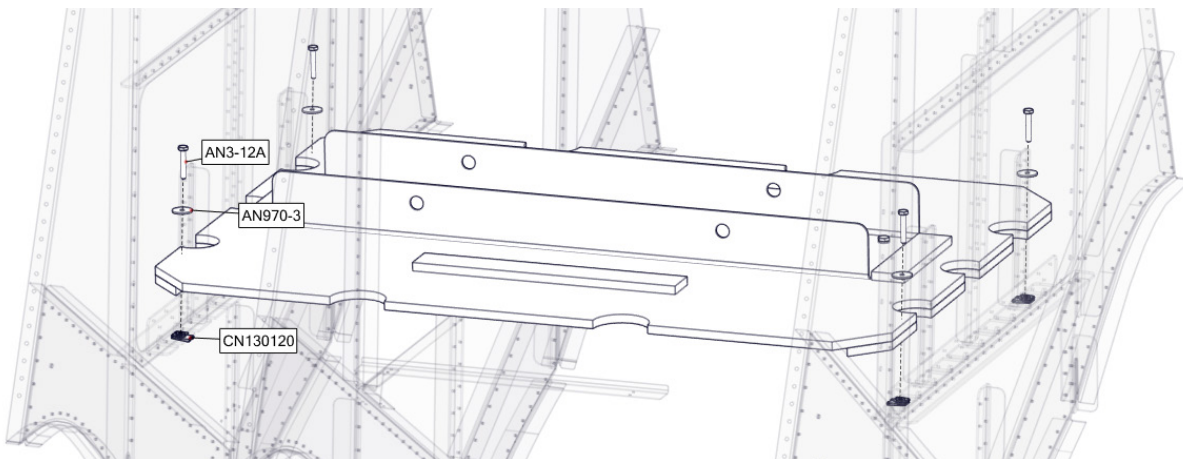
3. Back drill 1/4" mounting holes into existing baggage floor panel through 1009883 anchor channel and install hardware shown

**NOTE:** Baggage floor panel may be removed if preferred to install 1009883 anchor channel



4. If previously removed, reinstall baggage floor panel with attached 1009883 anchor channel and verify the baggage floor panel is securely attached to the forward and aft bulkheads

**NOTE:** If floor panels were not previously secured to bulkheads, install supplied AN3-12A bolt, AN970-3 washer, and CN130120 clip nuts



5. Use short ratchet straps to secure the anchor in the 1009883 anchor channel

## AIRCRAFT CLOSING AND RETURN TO SERVICE

1. Close and secure baggage compartment covers
2. Upon completion of inspection, enter information in Aircraft Logbook for completion of this Wipaire service letter
3. Visit [www.wipaire.com](http://www.wipaire.com) and update your aircraft service letter/kit record using the link found on the Customer Support dropdown menu under "Update Service Letter & Kit Compliance Status"