

DHC-6 TWIN OTTER

PRODUCT & MODIFICATION GUIDE



WIPLINE® 13000 FLOATS

From the Maldives to the Canadian North, the Twin Otter has proven itself as the best-selling 19-passenger commuter airplane in the world for over 40 years. Combine this powerful twin-engine aircraft with a set of rugged Wipline 13000 floats and you have an aircraft that will take your operation to the next level.

FEATURES AND BENEFITS

- Amphibious or seaplane floats available
- Gross weight up to 12,500 pounds for the 300 and 400 series and IKHANA Payload Increase equipped 200, 11,600 pounds for the stock 100 and 200
- Wipline hull design features fluted, high deadrise bottoms and extra buoyancy to provide superior handling in high seas and wind
- Engineered so that no-flap landings are a non-event, making the Wipline float top of the class in safety
- Best nose and main gear on the market, proven in the field and imitated by competitors
- Enhanced safety with amphibious gear advisory system and gear indicator on float deck of amphibious floats
- Non-skid coated, flat, wide top decks and steps make for safe boarding of crew and passengers
- Aluminum skins and parts are laser cut and rivet holes are pre-punched so that replacement parts fit perfectly
- Four large baggage compartments with 100 lbs capacity each are standard for amphibious floats and optional on seaplane floats
- Optional beaching gear for straight floats make repositioning the aircraft on shore for maintenance as easy as taxiing up a ramp

Wipaire also offers modifications, paint refinishing, interiors, avionics and maintenance. Our customer service is second to none with excellent parts availability and 24/7 contact. Purchase your floats and modifications from the only company with over 55 years of continuous float production and be assured we'll be there when you need support.

SPECIFICATIONS FOR WIPLINE 13000 FLOATS

WEIGHT

Amphibian System Total Weight	2,163 lbs (981 kg)
Amphibian Exchange Weight ¹	1,560 lbs (708 kg)
Seaplane System Total Weight	1,486 lbs (674 kg)
Seaplane Exchange Weight ¹	883 lbs (461 kg)
Gross Weight (DHC-6-100 & 200)	11,600 lbs (5,262 kg)
Gross Weight (DHC-6-300 & 400)	12,500 lbs (5,670 kg)

DISPLACEMENT IN FRESH WATER

Amphibious Floats	12,442 lbs (5,644 kg)
Seaplane Floats	12,844 lbs (5,826 kg)

MAXIMUM FLOTATION

Amphibious Floats	13,824 lbs (6,270 kg) ²
Seaplane Floats	14,271 lbs (6,473 kg) ²

1) Exchange weight is equal to the float installation weight minus aircraft landing gear weight.

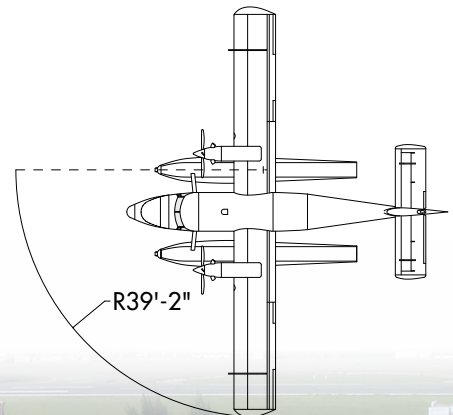
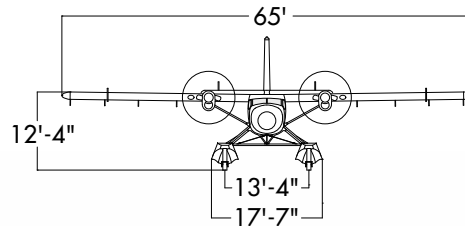
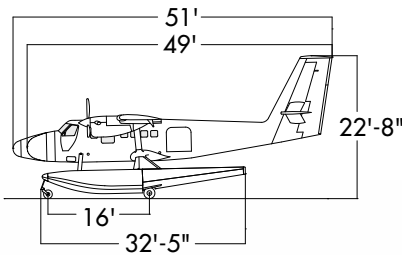
2) Per FAR 23.751 with 80% reserve buoyancy (2 floats)

FLOAT DIMENSIONS

Length – Seaplane	31' 3" (9.53 m)
Length – Amphibian	32' 5" (9.88 m)
Height – Hull	3' 9" (1.14 m)
Width – Hull	4' 3" (1.3 m)
Float Locker Capacity (each) (optional on seaplane floats)	100 lbs (45.4 kg)

TWIN OTTER PERFORMANCE ON AMPHIBIOUS FLOATS

Engine	PT6A-20	PT6A-34
Take off run (land)	1,280 ft (390 m)	1,333 ft (406 m)
Take off over 50 ft obstacle (land)	1,770 ft (539 m)	1,843 ft (562 m)
Take off run (water)	1,178 ft (359 m)	1,227 ft (374 m)
Take off over 50 ft obstacle (water)	1,886 ft (575 m)	1,965 ft (599 m)
Rate of climb (per min)	1,355 ft (413 m)	1,400 ft (427 m)



MODIFICATIONS FOR THE TWIN OTTER

CERTIFIED EXECUTIVE INTERIOR

Traditionally known as a rugged, utility aircraft, the Twin Otter can be transformed into a first class executive aircraft. With a Wipaire executive interior you can have all the comforts of a business jet. From the luxurious feel of top grain leather to spacious seating arrangements, your passengers will feel pampered from the moment they step onto your Twin Otter. Whether conducting a business meeting en route to their destination or getting a head start on their relaxing vacation, your passengers will find the extra amenities to be a necessity.

- Seating configurations for 8, 9 and 10 passengers (9 and 10 seat configurations are for series 200-300 Twin Otters only)
- Interiors customized to meet your mission needs
- Full function swivel and recline seats with overstuffed or smooth style top-grain leather upholstery
- Decorative lower sidewall fabric and a transitional sidewall trim with veneer accent
- Wood veneer or laminate cabinets, with optional high-gloss finish
- Stowable side tables with optional leather writing inserts
- Convenient amenities such as cup holders, beverage stations, adjustable arm rests, concealed carry-on storage, and optional private lavatory for passenger comfort



PRATT & WHITNEY PT6A-34 ENGINE UPGRADE

If you are looking for a better performance for your DHC-6-300, look no further. Wipaire has Pratt & Whitney PT6A-34 engines approved for the 300 series Twin Otter at 750 hp for both floatplane and landplane configurations.

- Takeoff and climb performance are greatly enhanced for a much broader operational envelope, especially on floats
- Additional 130 hp in each engine
- Shorter runway requirements and optimum climb capability when in restricted terrain.



WIPAIRE SERVICES

Minimize down time on your aircraft by coordinating services at either Wipaire's South St. Paul, MN headquarters or our service center in Leesburg, FL.

MAINTENANCE

- Oil changes, borescope inspections, annuals, pre-buy inspections and more
- Restoration & upgrade services
- Float and landing gear inspections & repairs
- Viking Factory Endorsed Service Center

AVIONICS

- Installation & repair services including bench work
- In-flight entertainment systems
- Satellite phones and internet
- Custom video camera installation
- Perform IFR certification

INTERIORS

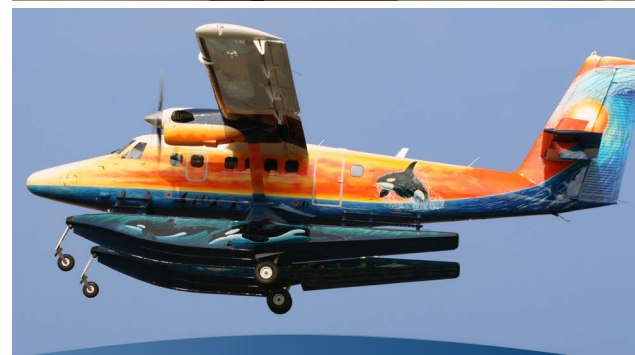
- Executive interior STC available for the Twin Otter
- Repairs to complete renovations
- Interior modifications & upgrades
- Custom design service
- Custom embroidery available

PAINT REFINISHING

- Retouching & repair services
- Custom airbrushed art and decals
- Meticulous attention to detail
- Float paint matching available

AIRCRAFT SALES & ACQUISITIONS

- Experienced & market savvy staff
- Customized marketing strategy
- Pre-buy inspections
- No hassle document preparation & filing



South St. Paul, MN - 651.451.1205

FAA CRS #RJWR390K - EASA 145.6194

Leesburg, FL - 352.323.4809

FAA CRS #RJWD390K

www.wipaire.com