



WIPLINE FLOATS • SKIS • MODIFICATIONS • AIRCRAFT SALES
AVIONICS • INTERIOR • MAINTENANCE • PAINT REFINISHING



**PARTS MANUAL FOR RIVETED
WIPLINE MODEL 6100 AMPHIBIAN FLOATS
SERIAL NUMBERS 61500 AND UP**

Revision G

1700 Henry Ave. - Fleming Field (KSGS), South St. Paul, MN 55075
Ph: 651.451.1205 Fax: 651.457.7858
www.wipaire.com

THIS PAGE INTENTIONALLY LEFT BLANK

LOG OF REVISIONS

Revision	Pages Affected	Description	Date
A	All	Initial release	8/22/2019
B	79-89, 187	Added drawing and parts section for Struts and Steps Installation. Added drawing and parts section for Spreader Bar Installation and Assembly. Added Baggage Compartment, Right Float parts list. Added hardware for 6A02362-007 Float Deck Fitting.	4/27/2020
C	83, 107	Changed Rod End Upper HMX106 to HMX10G in Struts and Steps Installation. Changed Wiper Shock Strut T-Seal 1005861 to 1009966 in Shock Strut Assembly.	7/24/2020
D	All	Added note about nose and main gear tire/tube. Added sections for Post/ Pre Service Letters 214 & 215 for Hydraulics and Electrical. Replaced Unidirectional Hydraulic Pump 6A09000-029 to 1011404. Replaced Pump Mount Bracket Assembly 6A09000-030 to 1011402. Replaced Pump Reservoir Assembly 6A09000-115 to 1011359. Replaced Hydraulic Hose Assembly 8A09000-048 to 1011361-01. Updated image and parts for 1009750 Assembly Control Console. Updated Hydraulic Schematic image and parts list. Added new Bidirectional Hydraulic Schematic image and parts list. Updated Unidirectional Electrical Schematic image and parts list. Added 21A11000-019 Bidirectional Gear Selector Round Assembly image and parts. Added new Bidirectional Electrical Schematic image and parts list.	5/10/2021
E	All	Changed Brake Disc 164-24500 to 164-24501. Combined Nose Gear Assembly section with Main Gear Assembly section to form Landing Gear section. Relabeled Steering System section as Water Rudder & Steering System section. Updated image for Electrical Schematic - Bidirectional Pump DHC-2 Post Service Letter 214. Added 1011004 Assembly, Cup, Pumpout, Duckbill, 1011808 Retainer, Valve, Duckbill, Pumpout Plug, and 1011870 Valve, Duckbill.	2/14/2022
F	113, 185, 187, 189	Updated part description for 472439 and 473232 seals. Updated part numbers in Hydraulic System Schematic - Unidirectional Pump Post Service Letters 214 & 215. Updated part numbers in Hydraulic System Schematic - Bidirectional Pump DHC-2 Post Service Letters 214. Updated part numbers in Hydraulic System Schematic - Unidirectional Pump PC-6 Post Service Letters 214 & 215.	8/10/2022
G	97, 112-113	Updated image for 1002636 Assembly, Nose Gear Actuator. Updated parts list in 8A04000-031 Assembly, Main Wheel, With Tire And Tube section. Updated title and parts list in 40-418-3 Or 40-418 Assembly, Main Wheel section.	1/26/2023

Please visit www.wipaire.com for the most current revision of this manual

THIS PAGE INTENTIONALLY LEFT BLANK

TABLE OF CONTENTS

SECTION 1 GENERAL.....	7
SECTION 2 HULL BULKHEAD ASSEMBLIES.....	13
SECTION 3 WHEEL WELL ASSEMBLY.....	41
SECTION 4 SKIN ASSEMBLY.....	61
SECTION 5 TOP DECK.....	65
SECTION 6 STRUTS, STEPS, & SPREADER BARS.....	79
SECTION 7 LANDING GEAR.....	91
SECTION 8 ADDITIONAL STRUCTURAL MEMBERS.....	123
SECTION 9 WATER RUDDER & STEERING SYSTEM.....	129
SECTION 10 HYDRAULIC AND BRAKE SYSTEM.....	141
SECTION 11 ELECTRICAL SYSTEM.....	193
SECTION 12 PUMP OUT SYSTEM.....	201
SECTION 13 BAGGAGE COMPARTMENT.....	205
SECTION 14 ADDITIONAL FLOAT COMPONENTS.....	209

THIS PAGE INTENTIONALLY LEFT BLANK

SECTION 1 GENERAL

CONTENTS

INTRODUCTION	8
USING THIS PARTS MANUAL	9

INTRODUCTION

Parts Sales:

Hours: 7:00 AM - 6:00 PM, Monday - Friday CST

Wipaire, Inc.

1700 Henry Avenue – Fleming Field

South St. Paul, MN 55075

Telephone: (651) 306-0459

Fax: (651)-306-0666

Website: www.wipaire.com

Email: customerservice@wipaire.com

Shipping Schedule:

In-stock orders received before 3 PM CST ship the same day. Orders received after this time may be assessed an Aircraft on Ground fee for special priority handling.

As we are primarily a manufacturer, our stocks can be rapidly depleted by production requirements. Therefore, prices and availability are subject to change at any time. It is our intent to provide courteous and prompt service of your needs. Please let us know of any problems or concerns so that changes in these procedures can be a benefit for all.

Parts Ordering

Purchase orders should include:

1. Purchase order number
2. Name of person placing order
3. Invoicing information:
 - a. Customer name - company or individual
 - i. Address
 - ii. Phone and fax number
4. Shipping information:
 - a. Address (if different from invoice address)
 - b. Method of shipment/preferred carrier
5. Aircraft model, float model, and serial numbers
6. Wipaire part number; name; type, e.g. left or right; quantity
7. Payment method: VISA, MasterCard, Collect on Delivery (U.S. customers only), pre-payment by check or wire transfer, open account (see Credit Policy)

Damaged Goods

Inspect all parts upon receipt. Damages to parts in transit must be filed as a claim against the carrier.

Returned Parts

Written explanation of reason for return must accompany parts, including invoice number of original shipment. Shipping charges on returned parts must be prepaid or the shipment will be refused.

Order Shortages

Check shipment against delivery slip immediately. All claims for any shortages should be made within 3 days after order receipt.

Credit Policy

Parts will be shipped on open account, net 30 days, to Wipaire-approved credit customers only. A balance due over 60 days will result in no shipments. Wipaire, Inc reserves the right to send any order Collect on Delivery.

USING THIS PARTS MANUAL

COVERAGE

This parts manual shows components below the top deck, the hydraulic handle in the aircraft, and the hydraulic pumps located in the aircraft. For struts and other components installed above the top deck, contact Wipaire or installation drawings included with a new modification.

NOMENCLATURE SYSTEM

This parts manual uses an alphanumeric system for identifying sub assemblies and sub components. The initial digit is the parent part in the assembly and the alphabetic letters after signify a sub assembly component. To order an entire assembly, order the part number associated with the first digit of the individual components.

However, if a sub assembly required more space than allowed in the initial figure, then the sub assembly will receive its own figure on a later page.

See image below and parts list on proceeding page for reference.

NOTE: Images shown in this section are for reference only and may not depict actual components specific to your product.

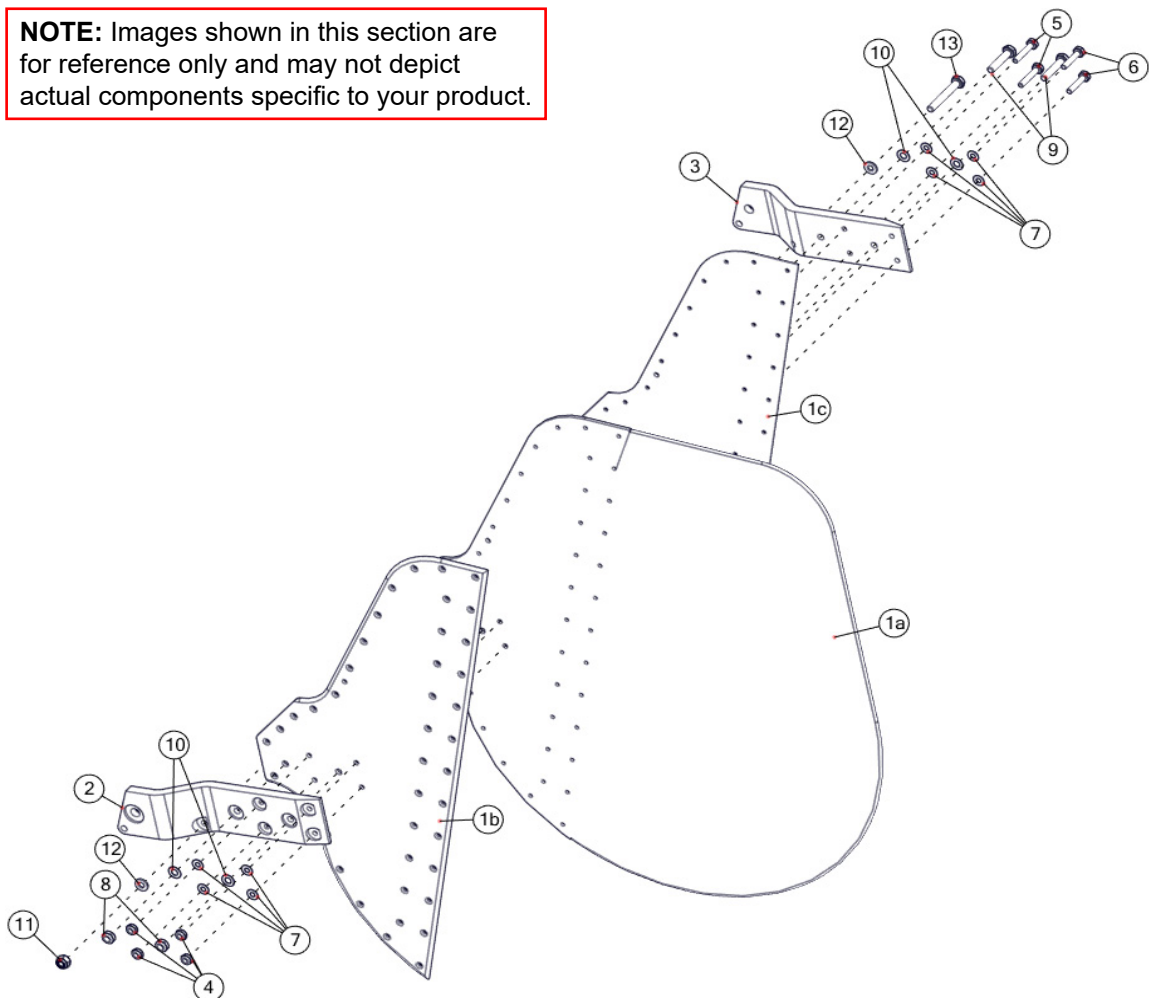


FIGURE 1-1: NOMENCLATURE SYSTEM IMAGE

Signifies Item is not sold individually.

For this example, the Sub Assembly Item 1 must be purchased, as all sub components are not sold separately.

Parent Assembly: Contains all shown in associated figure and all items in the associated parts list.

Sub Assembly: Item 1 not called out in figure, but are comprised of sub components 1a, 1b, and 1c. Order Item 1 to receive all items that begin with the digit 1.

Sub Components: Items 1a, 1b, and 1c are called out in figure. All sub components that share the same first digit are included in the Parent Assembly Item 1. Sub components can be ordered separately unless noted.

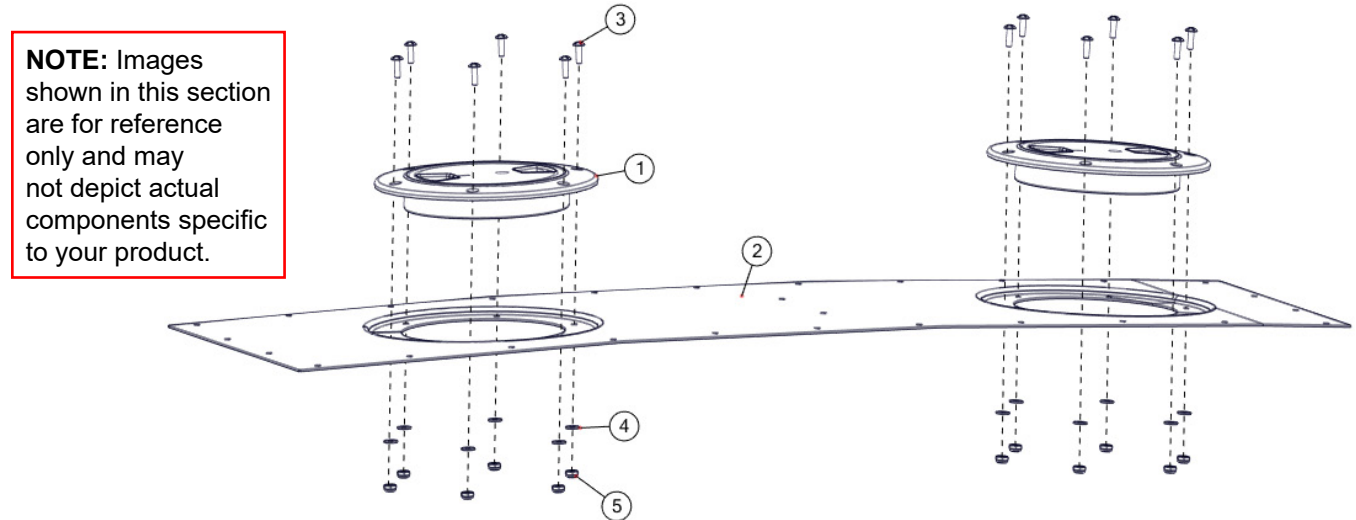
8A08000-079 WATER RUDDER ASSEMBLY

ITEM	QTY	PART NO.	PART DESCRIPTION
1	1	8A08000-023	WATER RUDDER BLADE ASSEMBLY WITH DOUBLERS
1a	1	8A08001-013	WATER RUDDER BLADE (not sold separately)
1b	1	8A08001-029	DOUBLER, WATER RUDDER BLADE, LEFT (not sold separately)
1c	1	8A08001-030	DOUBLER, WATER RUDDER BLADE, RIGHT (not sold separately)
2	1	8A08044-001	ARM, WATER RUDDER, CONTROL, LEFT
3	1	8A08044-002	ARM, WATER RUDDER, CONTROL, RIGHT
4	4	NAS679-A3W	NUT
5	2	AN3-11A	BOLT
6	2	AN3-10A	BOLT
7	8	NAS1149D0316J	WASHER
8	2	NAS679-A4W	NUT
9	2	AN4-12A	BOLT
10	4	NAS1149D0416J	WASHER
11	1	MS21044N4	NUT
12	2	NAS1149D0463J	WASHER
13	1	AN4-17A	BOLT

FIGURE 1-2: NOMENCLATURE SYSTEM PARTS LIST

SIMILAR APPEARANCE PARTS

Items of the same part number that appear in the same vicinity in the figures will generally not be called out more than once unless needed for clarity. In the following image it is to be assumed that all screws shown are item number 3, all washers shown will be item 4, and all nuts shown will be item 5. Only if further clarity is needed, more or all parts will be given an item number.



DISTINGUISHING LEFT AND RIGHT

All references in this manual to LEFT and RIGHT are from the perspective of the pilot's seat facing forward with the floats fully installed and ready for floatplane operation.

If a components or assembly is specific to the left or right float only, the description will have "Left or Right Float" in the description.

If "left" or "right" only is in the description of a components, it is referring to the position of the components in reference to an assembly in the float.

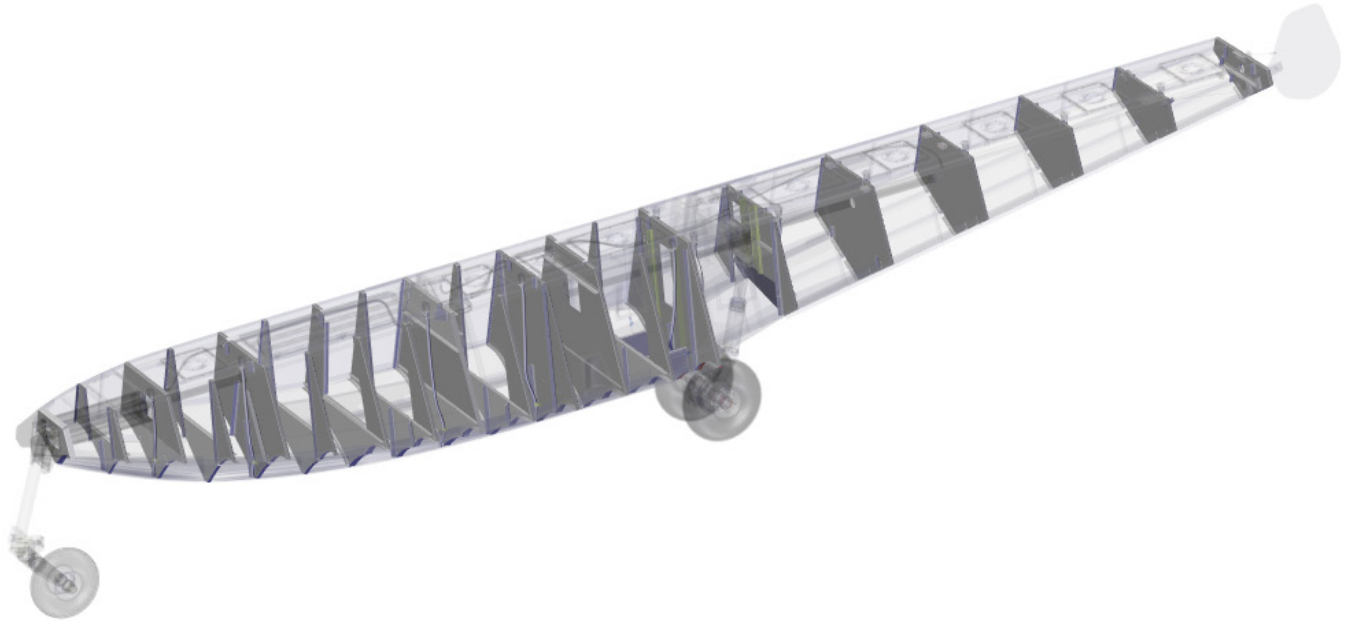
SHADED COMPONENTS

Shaded components that have a Bill of Material number attached to them are components that may be purchased and are shaded to show other components more clearly.

Shaded components that do not have a Bill of Material number attached to them are shown for positional reference only of the other components and are not listed in the table of that section.

THIS PAGE INTENTIONALLY LEFT BLANK

SECTION 2 HULL BULKHEAD ASSEMBLIES



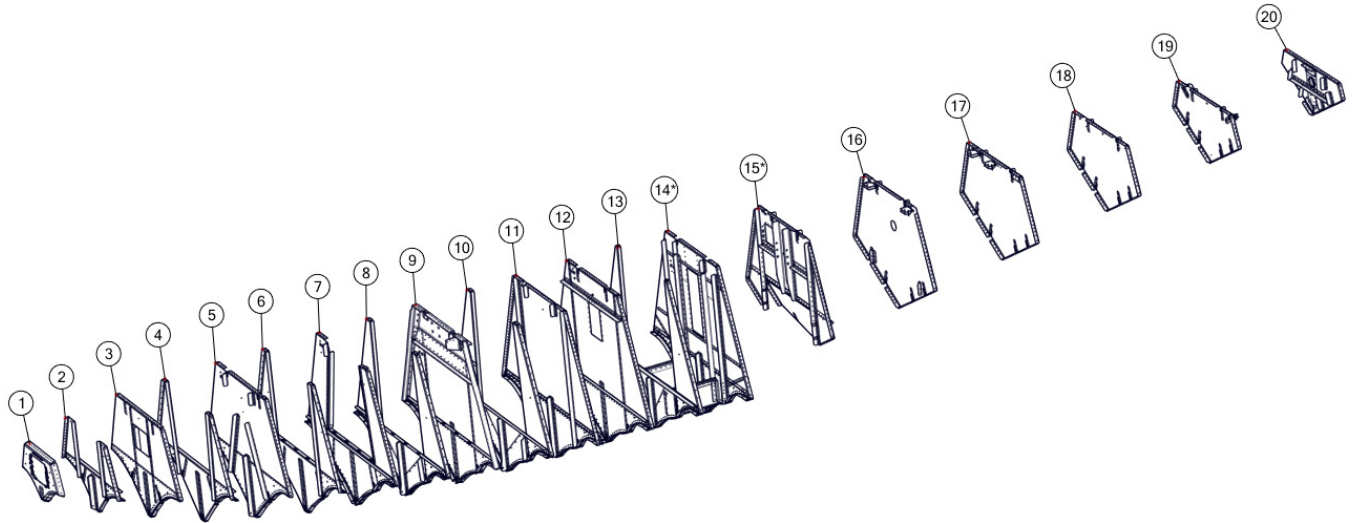
CONTENTS

BULKHEAD ASSEMBLY, LEFT FLOAT	15
BULKHEAD ASSEMBLY, RIGHT FLOAT	16
1007500 ASSEMBLY, BULKHEAD 1	17
1007501 ASSEMBLY, BULKHEAD 2	18
1007502 ASSEMBLY, BULKHEAD 3	19
1007503 ASSEMBLY, BULKHEAD 4	20
1007869 ASSEMBLY, BULKHEAD 5, LEFT FLOAT	21
1007870 ASSEMBLY, BULKHEAD 5, RIGHT FLOAT	22
1007505 ASSEMBLY, BULKHEAD 6	23
1007507 ASSEMBLY, BULKHEAD 7, LEFT FLOAT	24
1007506 ASSEMBLY, BULKHEAD 7, RIGHT FLOAT	25
1007508 ASSEMBLY, BULKHEAD 8	26
1007509 ASSEMBLY, BULKHEAD 9, LEFT FLOAT	27
1007510 ASSEMBLY, BULKHEAD 9, RIGHT FLOAT	28
1007511 ASSEMBLY, BULKHEAD 10	29
1007512 ASSEMBLY, BULKHEAD 11	30
1007513 ASSEMBLY, BULKHEAD 12	31
1007516 ASSEMBLY, BULKHEAD 13	32
1007517 ASSEMBLY, BULKHEAD 14	33
1007519 ASSEMBLY, BULKHEAD 15, LEFT FLOAT	33
1007518 ASSEMBLY, BULKHEAD 15, RIGHT FLOAT	33
1007521 ASSEMBLY, BULKHEAD 16, LEFT FLOAT	34

CONTENTS CONTINUED

1007520 ASSEMBLY, BULKHEAD 16, RIGHT FLOAT	35
1007523 ASSEMBLY, BULKHEAD 17, LEFT FLOAT	36
1007522 ASSEMBLY, BULKHEAD 17, RIGHT FLOAT	37
1007524 ASSEMBLY, BULKHEAD 18	38
1007525 ASSEMBLY, BULKHEAD 19	39
1007526 ASSEMBLY, BULKHEAD 20	40

BULKHEAD ASSEMBLY, LEFT FLOAT

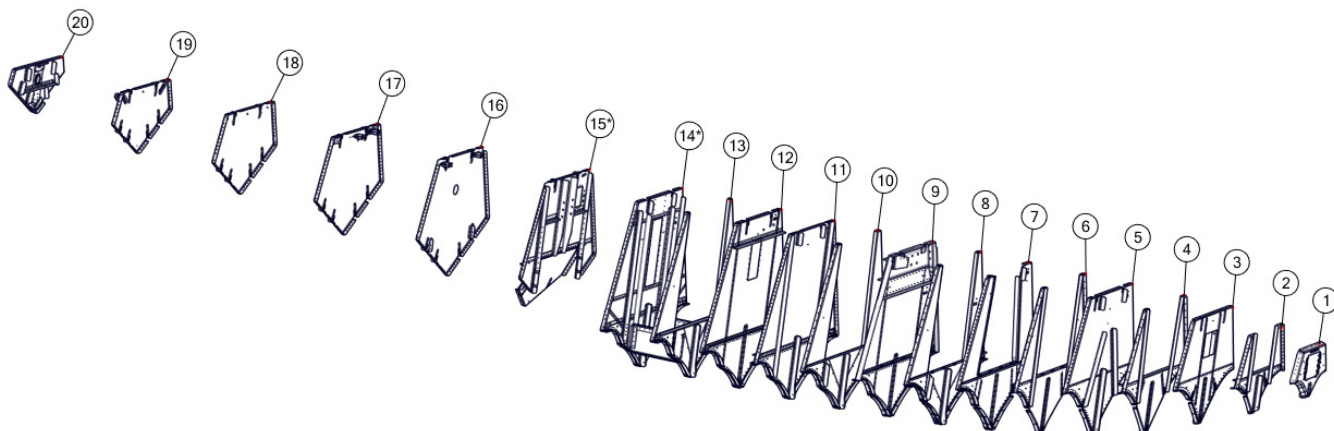


BULKHEAD ASSEMBLY, LEFT FLOAT

ITEM	QTY	PART NO.	PART DESCRIPTION
1	1	1007500	ASSEMBLY, BULKHEAD 1
2	1	1007501	ASSEMBLY, BULKHEAD 2
3	1	1007502	ASSEMBLY, BULKHEAD 3
4	1	1007503	ASSEMBLY, BULKHEAD 4
5	1	1007869	ASSEMBLY, BULKHEAD 5, LEFT FLOAT
6	1	1007505	ASSEMBLY, BULKHEAD 6
7	1	1007507	ASSEMBLY, BULKHEAD 7, LEFT FLOAT
8	1	1007508	ASSEMBLY, BULKHEAD 8
9	1	1007509	ASSEMBLY, BULKHEAD 9, LEFT FLOAT
10	1	1007511	ASSEMBLY, BULKHEAD 10
11	1	1007512	ASSEMBLY, BULKHEAD 11
12	1	1007513	ASSEMBLY, BULKHEAD 12
13	1	1007516	ASSEMBLY, BULKHEAD 13
14*	1	1007517	ASSEMBLY, BULKHEAD 14
15*	1	1007519	ASSEMBLY, BULKHEAD 15, LEFT FLOAT
16	1	1007521	ASSEMBLY, BULKHEAD 16, LEFT FLOAT
17	1	1007523	ASSEMBLY, BULKHEAD 17, LEFT FLOAT
18	1	1007524	ASSEMBLY, BULKHEAD 18
19	1	1007525	ASSEMBLY, BULKHEAD 19
20	1	1007526	ASSEMBLY, BULKHEAD 20

*Part of Wheel Well Assembly

BULKHEAD ASSEMBLY, RIGHT FLOAT

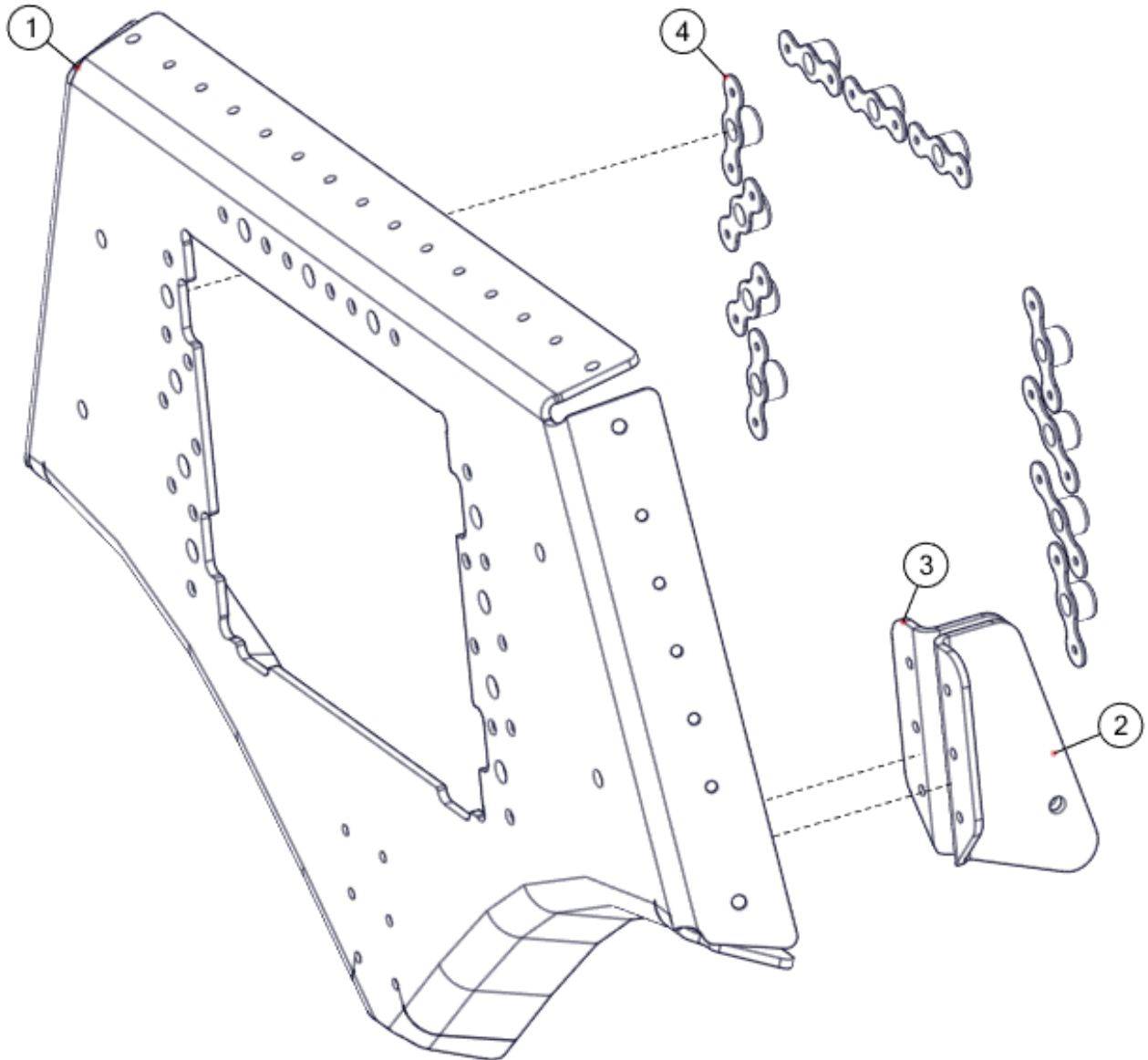


BULKHEAD ASSEMBLY, RIGHT FLOAT

ITEM	QTY	PART NO.	PART DESCRIPTION
1	1	1007500	ASSEMBLY, BULKHEAD 1
2	1	1007501	ASSEMBLY, BULKHEAD 2
3	1	1007502	ASSEMBLY, BULKHEAD 3
4	1	1007503	ASSEMBLY, BULKHEAD 4
5	1	1007870	ASSEMBLY, BULKHEAD 5, RIGHT FLOAT
6	1	1007505	ASSEMBLY, BULKHEAD 6
7	1	1007506	ASSEMBLY, BULKHEAD 7, RIGHT FLOAT
8	1	1007508	ASSEMBLY, BULKHEAD 8
9	1	1007510	ASSEMBLY, BULKHEAD 9, RIGHT FLOAT
10	1	1007511	ASSEMBLY, BULKHEAD 10
11	1	1007512	ASSEMBLY, BULKHEAD 11
12	1	1007513	ASSEMBLY, BULKHEAD 12
13	1	1007516	ASSEMBLY, BULKHEAD 13
14*	1	1007517	ASSEMBLY, BULKHEAD 14
15*	1	1007518	ASSEMBLY, BULKHEAD 15, RIGHT FLOAT
16	1	1007520	ASSEMBLY, BULKHEAD 16, RIGHT FLOAT
17	1	1007522	ASSEMBLY, BULKHEAD 17, RIGHT FLOAT
18	1	1007524	ASSEMBLY, BULKHEAD 18
19	1	1007525	ASSEMBLY, BULKHEAD 19
20	1	1007526	ASSEMBLY, BULKHEAD 20

*Part of Wheel Well Assembly

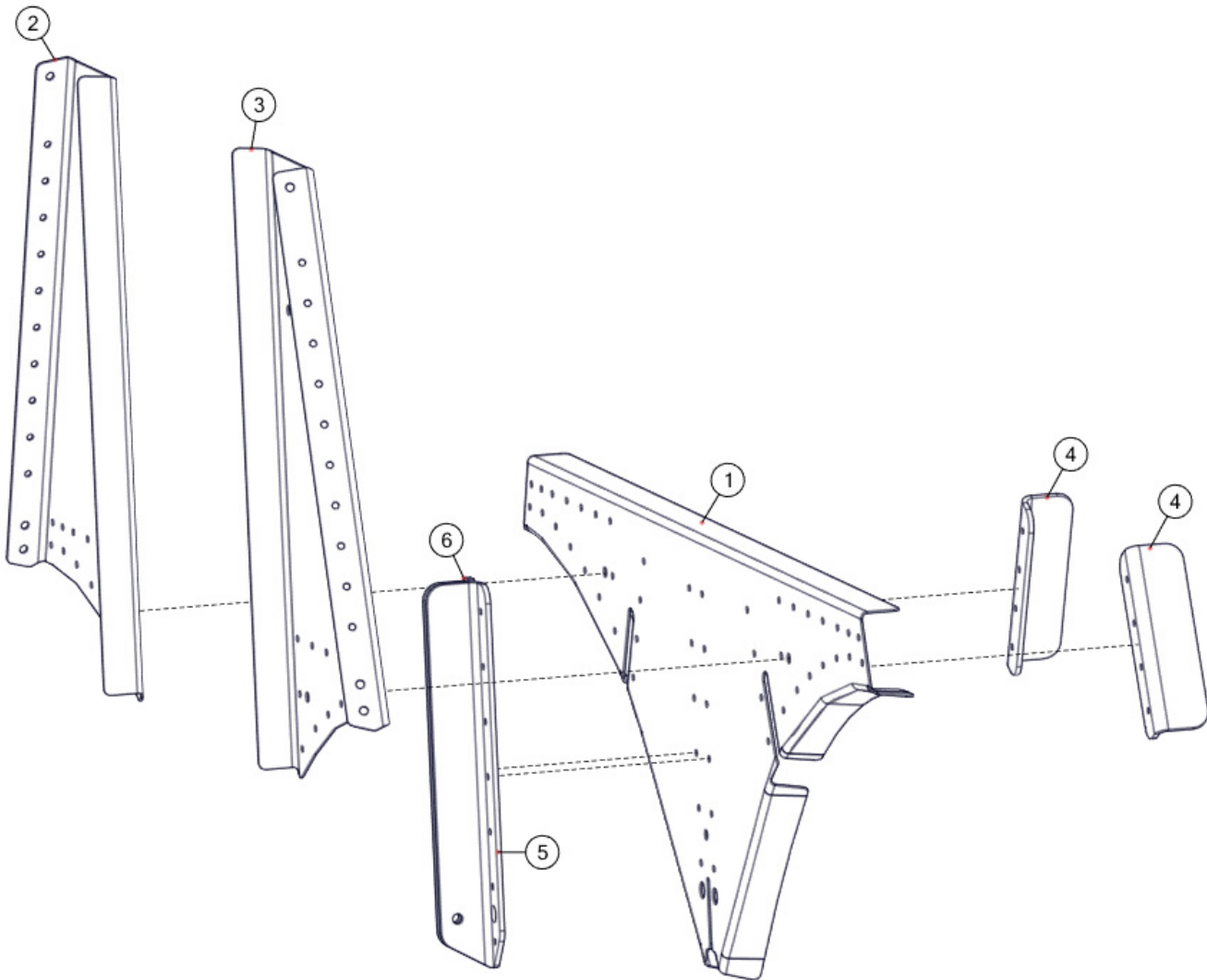
1007500 ASSEMBLY, BULKHEAD 1



1007500 ASSEMBLY, BULKHEAD 1

ITEM	QTY	PART NO.	PART DESCRIPTION
1	1	1007566	PANEL, BULKHEAD
2	1	1007708	ANGLE, ATTACH, MAIN KEEL, LEFT, BULKHEAD
3	1	1007709	ANGLE, ATTACH, MAIN KEEL, RIGHT BULKHEAD
4	11	MS21047L4	NUT PLATE

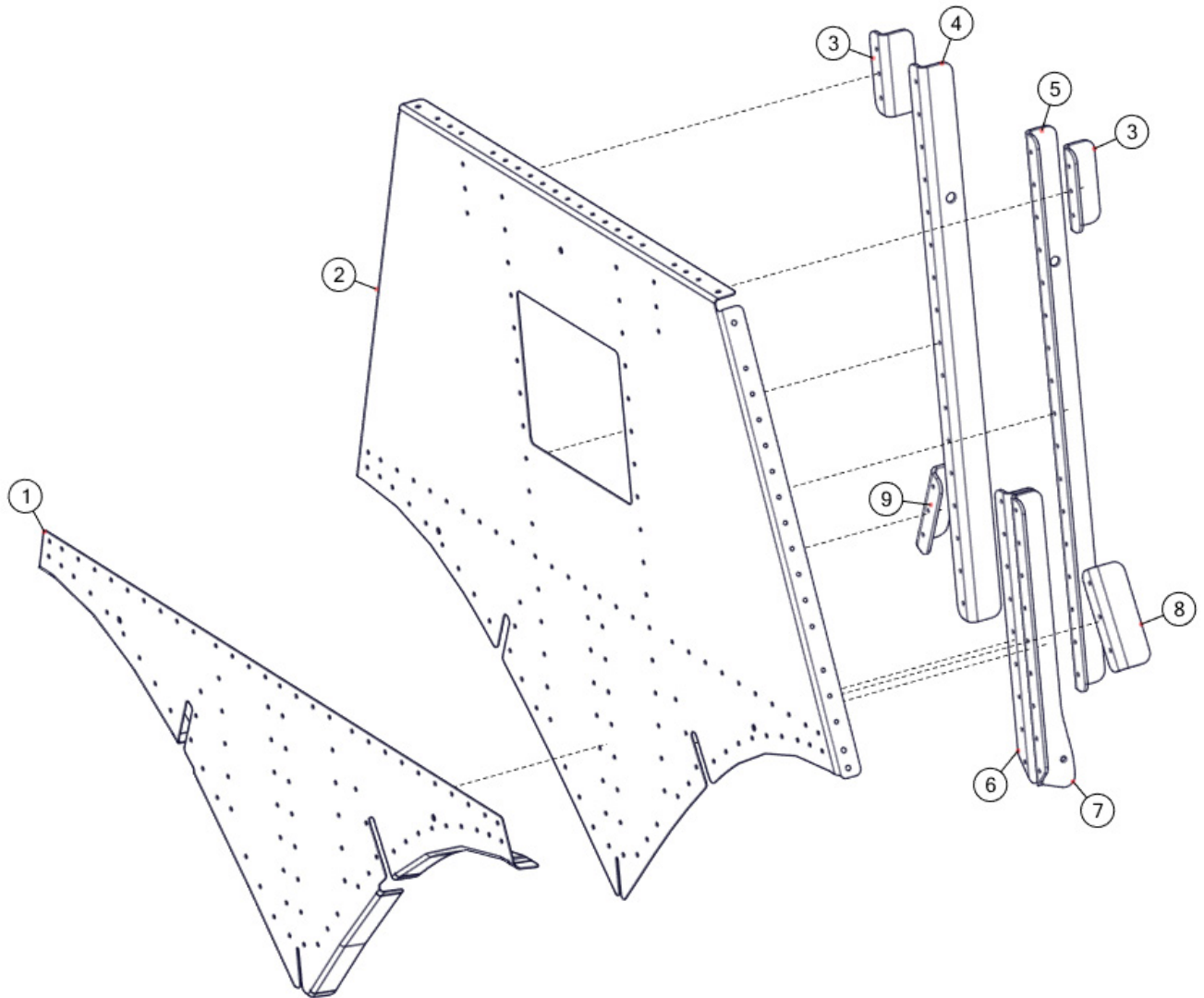
1007501 ASSEMBLY, BULKHEAD 2



1007501 ASSEMBLY, BULKHEAD 2

ITEM	QTY	PART NO.	PART DESCRIPTION
1	1	1007567	PANEL, BOTTOM, BULKHEAD
2	1	1007568	PANEL, SIDE, RIGHT, BULKHEAD
3	1	1007569	PANEL, SIDE, LEFT, BULKHEAD
4	2	1007696	ANGLE, ATTACH, SISTER KEEL, BULKHEAD
5	1	1007697	ANGLE, ATTACH, MAIN KEEL, LEFT, BULKHEAD
6	1	1007698	ANGLE, ATTACH, MAIN KEEL, RIGHT, BULKHEAD

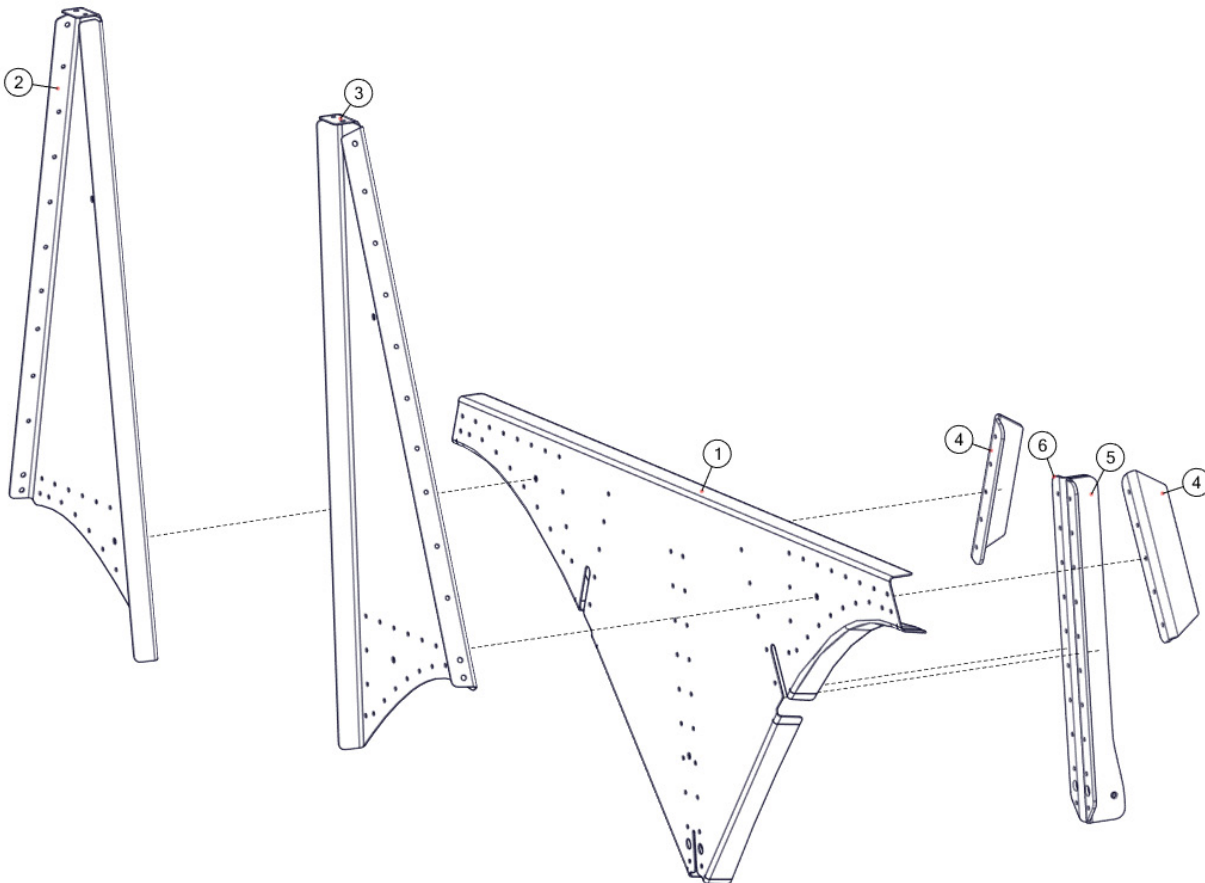
1007502 ASSEMBLY, BULKHEAD 3



1007502 ASSEMBLY, BULKHEAD 3

ITEM	QTY	PART NO.	PART DESCRIPTION
1	1	1007570	PANEL, BOTTOM, BULKHEAD
2	1	1007571	PANEL, BULKHEAD
3	2	1007679	ANGLE, ATTACH, COMMON, BULKHEAD
4	1	1007699	ANGLE, ATTACH, NOSE BOX, RIGHT, BULKHEAD
5	1	1007700	ANGLE, ATTACH, NOSE BOX, LEFT, BULKHEAD
6	1	1007701	ANGLE, ATTACH, MAIN KEEL, RIGHT, BULKHEAD
7	1	1007702	ANGLE, ATTACH, MAIN KEEL, LEFT, BULKHEAD
8	1	1007703	ANGLE, ATTACH, SISTER KEEL, LEFT, BULKHEAD
9	1	1007704	ANGLE, ATTACH, SISTER KEEL, RIGHT, BULKHEAD

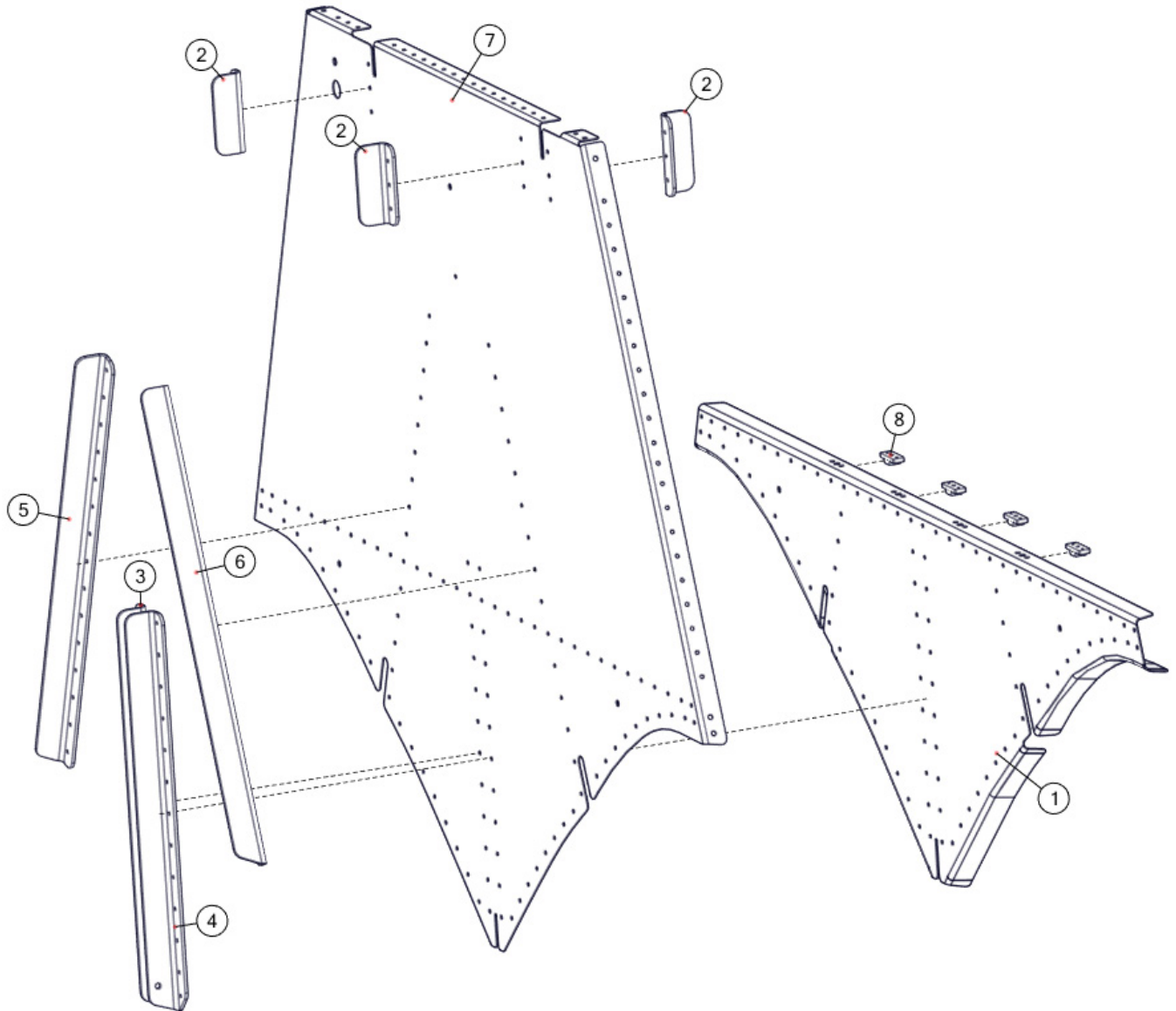
1007503 ASSEMBLY, BULKHEAD 4



1007503 ASSEMBLY, BULKHEAD 4

ITEM	QTY	PART NO.	PART DESCRIPTION
1	1	1007572	PANEL, BOTTOM, BULKHEAD
2	1	1007573	PANEL, SIDE, LEFT, BULKHEAD
3	1	1007574	PANEL, SIDE, LEFT, BULKHEAD
4	2	1007710	ANGLE, ATTACH, SISTER KEEL, BULKHEAD
5	1	1007711	ANGLE, ATTACH, MAIN KEEL, LEFT, BULKHEAD
6	1	1007712	ANGLE, ATTACH, MAIN KEEL, RIGHT, BULKHEAD

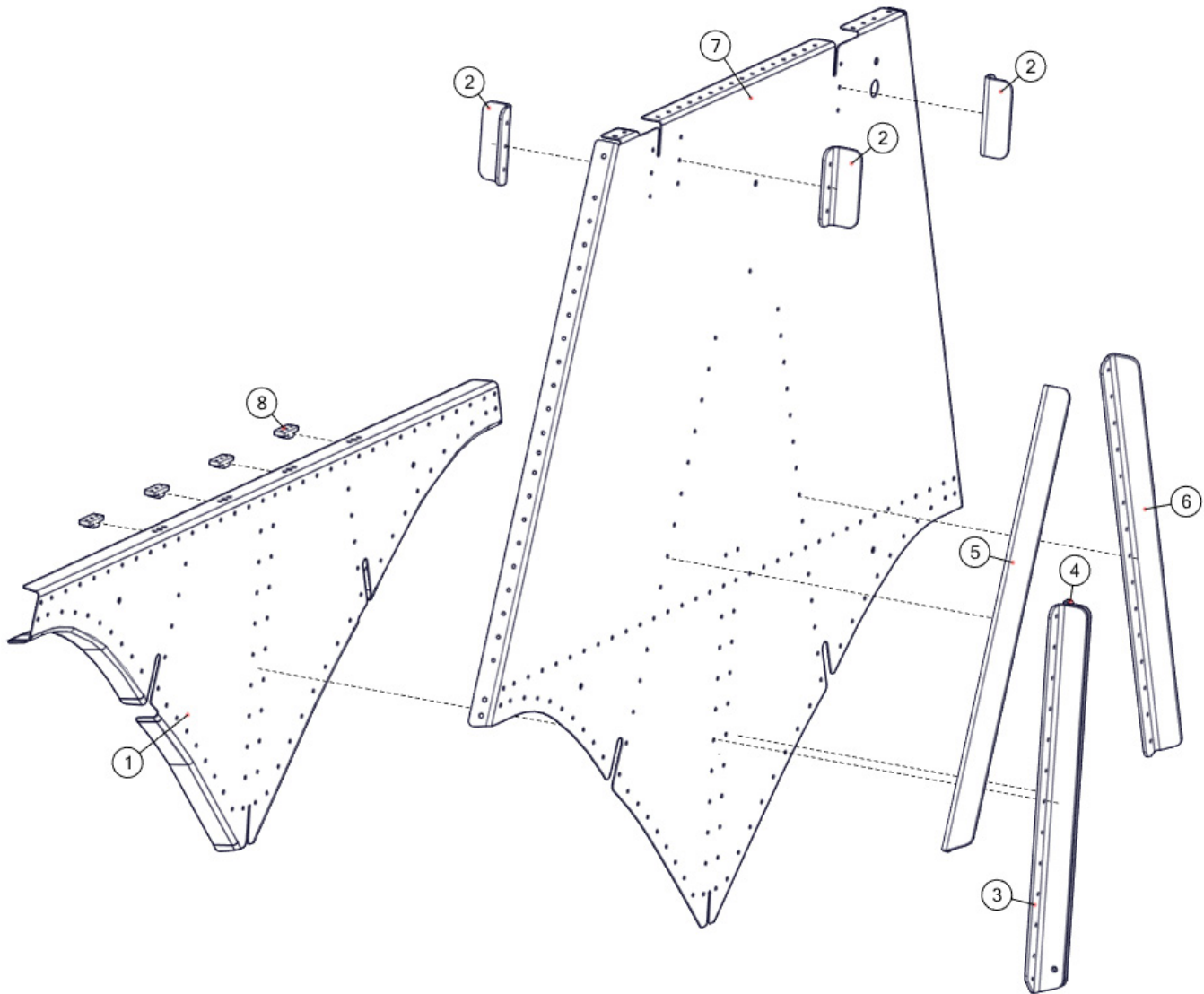
1007869 ASSEMBLY, BULKHEAD 5, LEFT FLOAT



1007869 ASSEMBLY, BULKHEAD 5, LEFT FLOAT

ITEM	QTY	PART NO.	PART DESCRIPTION
1	1	1007576	PANEL, BOTTOM, BULKHEAD
2	3	1007679	ANGLE, ATTACH, COMMON, BULKHEAD
3	1	1007738	ANGLE, ATTACH, MAIN KEEL, LEFT, BULKHEAD
4	1	1007739	ANGLE, ATTACH, MAIN KEEL, RIGHT, BULKHEAD
5	1	1007740	ANGLE, ATTACH, SISTER KEEL, RIGHT, BULKHEAD
6	1	1007741	ANGLE, ATTACH, SISTER KEEL, LEFT, BULKHEAD
7	1	1007871	PANEL, BULKHEAD, LEFT
8	4	1006420-01	NUT PLATE

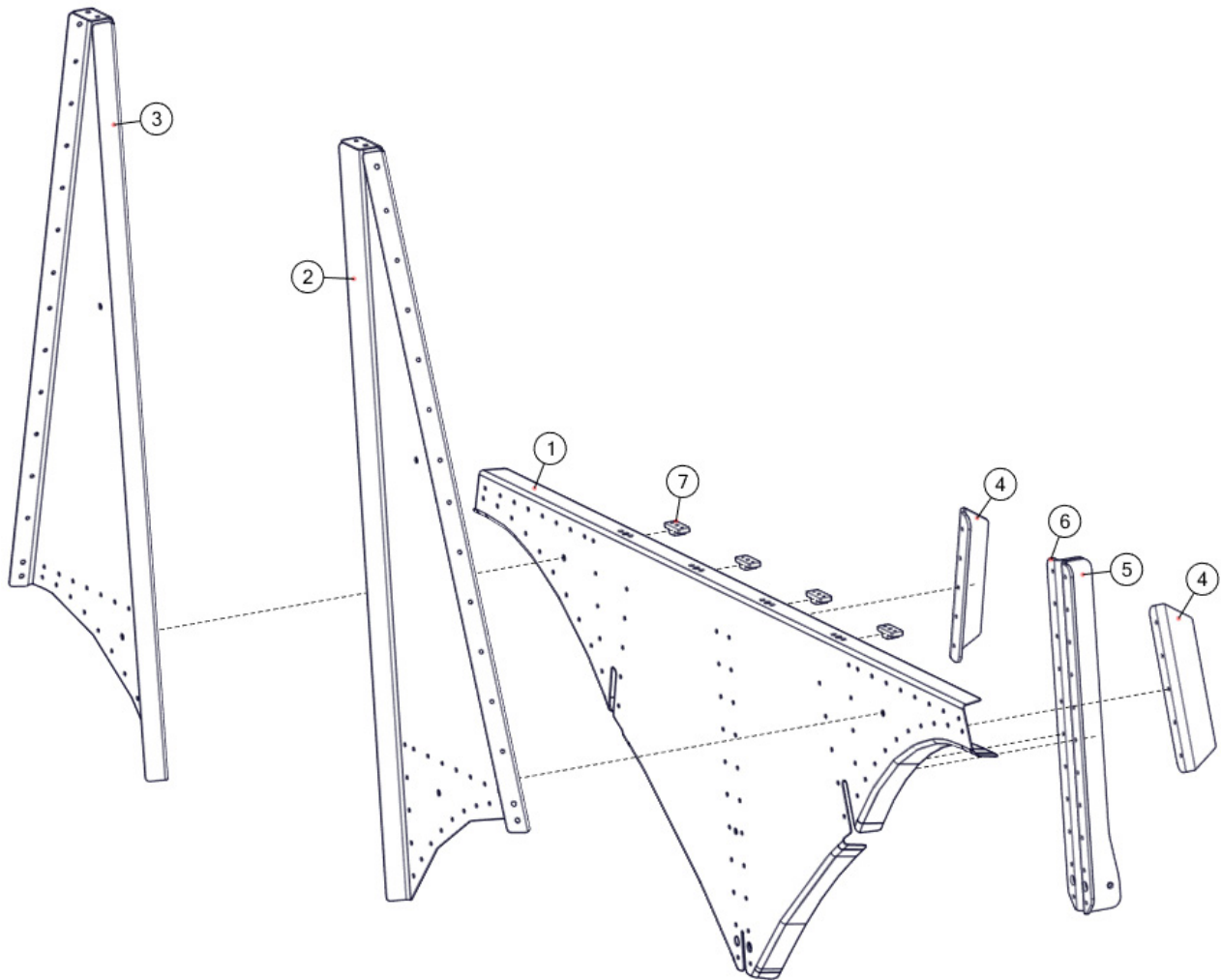
1007870 ASSEMBLY, BULKHEAD 5, RIGHT FLOAT



1007870 ASSEMBLY, BULKHEAD 5, RIGHT FLOAT

ITEM	QTY	PART NO.	PART DESCRIPTION
1	1	1007576	PANEL, BOTTOM, BULKHEAD
2	3	1007679	ANGLE, ATTACH, COMMON, BULKHEAD
3	1	1007738	ANGLE, ATTACH, MAIN KEEL, LEFT, BULKHEAD
4	1	1007739	ANGLE, ATTACH, MAIN KEEL, RIGHT, BULKHEAD
5	1	1007740	ANGLE, ATTACH, SISTER KEEL, RIGHT, BULKHEAD
6	1	1007741	ANGLE, ATTACH, SISTER KEEL, LEFT, BULKHEAD
7	1	1007871	PANEL, BULKHEAD, LEFT
8	4	1006420-01	NUT PLATE

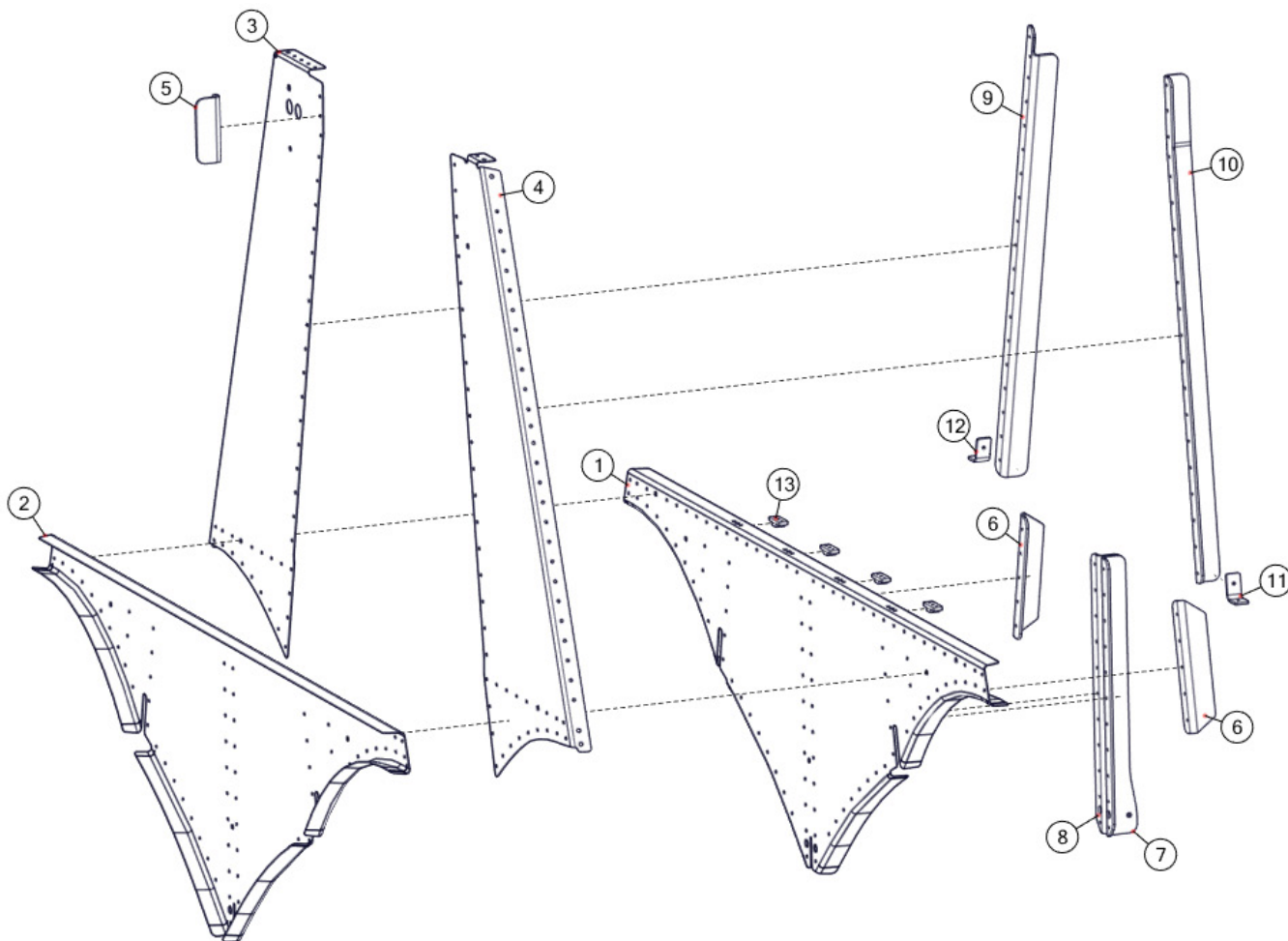
1007505 ASSEMBLY, BULKHEAD 6



1007505 ASSEMBLY, BULKHEAD 6

ITEM	QTY	PART NO.	PART DESCRIPTION
1	1	1007577	PANEL, BOTTOM, BULKHEAD
2	1	1007578	PANEL, SIDE, LEFT, BULKHEAD
3	1	1007579	PANEL, SIDE, RIGHT, BULKHEAD
4	2	1007710	ANGLE, ATTACH, SISTER KEEL, BULKHEAD
5	1	1007742	ANGLE, ATTACH, MAIN KEEL, BULKHEAD
6	1	1007743	ANGLE, ATTACH, MAIN KEEL, RIGHT, BULKHEAD
7	4	1006420-01	NUT PLATE

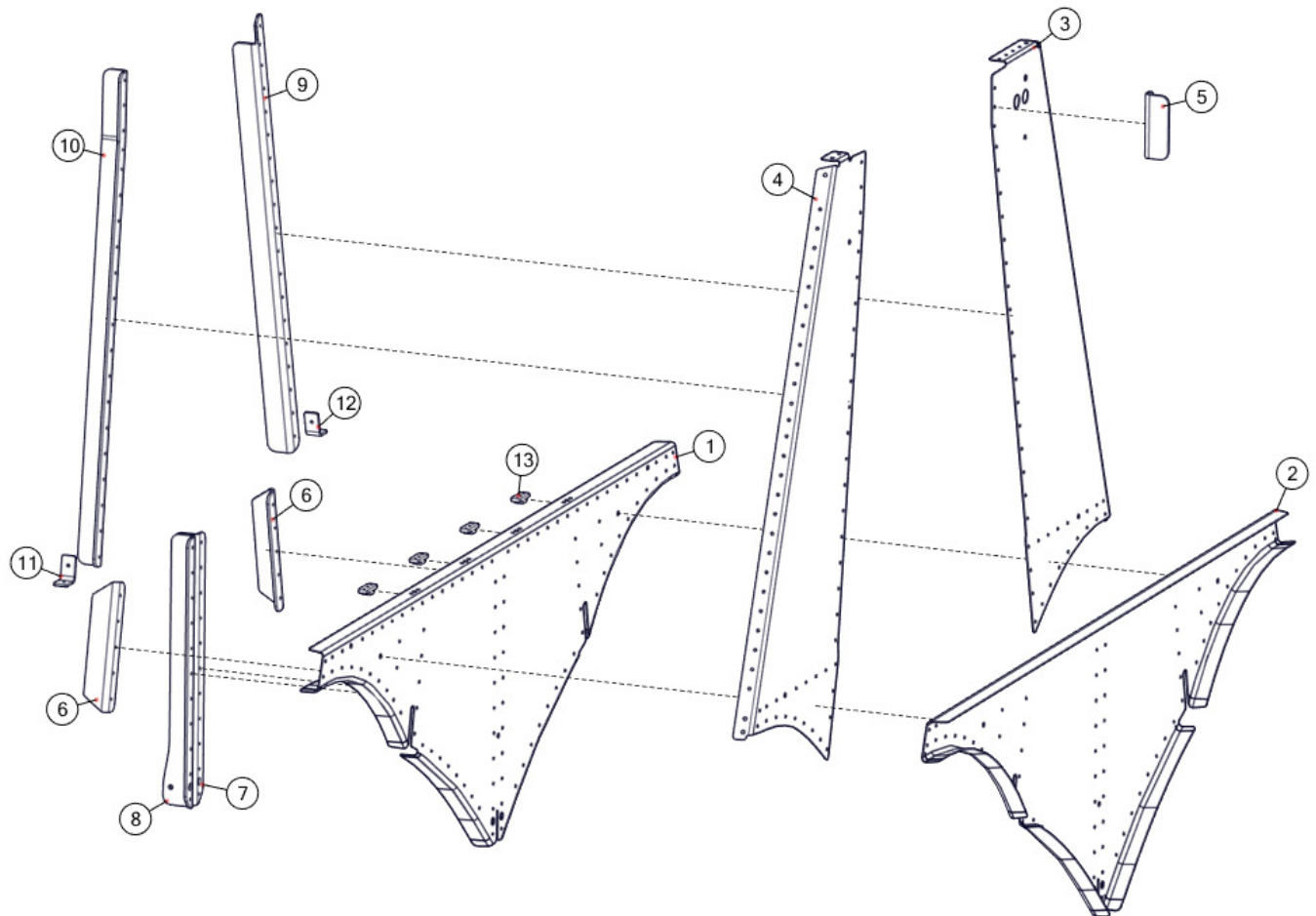
1007507 ASSEMBLY, BULKHEAD 7, LEFT FLOAT



1007507 ASSEMBLY, BULKHEAD 7, LEFT FLOAT

ITEM	QTY	PART NO.	PART DESCRIPTION
1	1	1007580	PANEL, BOTTOM, AFT, BULKHEAD
2	1	1007581	PANEL, BOTTOM, FORWARD, BULKHEAD
3	1	1007583	PANEL, SIDE, INBOARD, BULKHEAD, LEFT FLOAT
4	1	1007585	PANEL, SIDE, OUTBOARD, BULKHEAD, LEFT FLOAT
5	1	1007679	ANGLE, ATTACH, COMMON, BULKHEAD
6	2	1007710	ANGLE, ATTACH, SISTER KEEL, BULKHEAD
7	1	1007742	ANGLE, ATTACH, MAIN KEEL, LEFT, BULKHEAD
8	1	1007743	ANGLE, ATTACH, MAIN KEEL, RIGHT, BULKHEAD
9	1	1007749	STIFFENER, SIDE PANEL, INBOARD, BULKHEAD, LEFT FLOAT
10	1	1007751	STIFFENER, SIDE PANEL, OUTBOARD, BULKHEAD, LEFT FLOAT
11	1	1007753	BRACKET, STIFFENER, SIDE PANEL, OUTBOARD, BULKHEAD
12	1	1007754	BRACKET, STIFFENER, SIDE PANEL, INBOARD, BULKHEAD
13	4	1006420-01	NUT PLATE

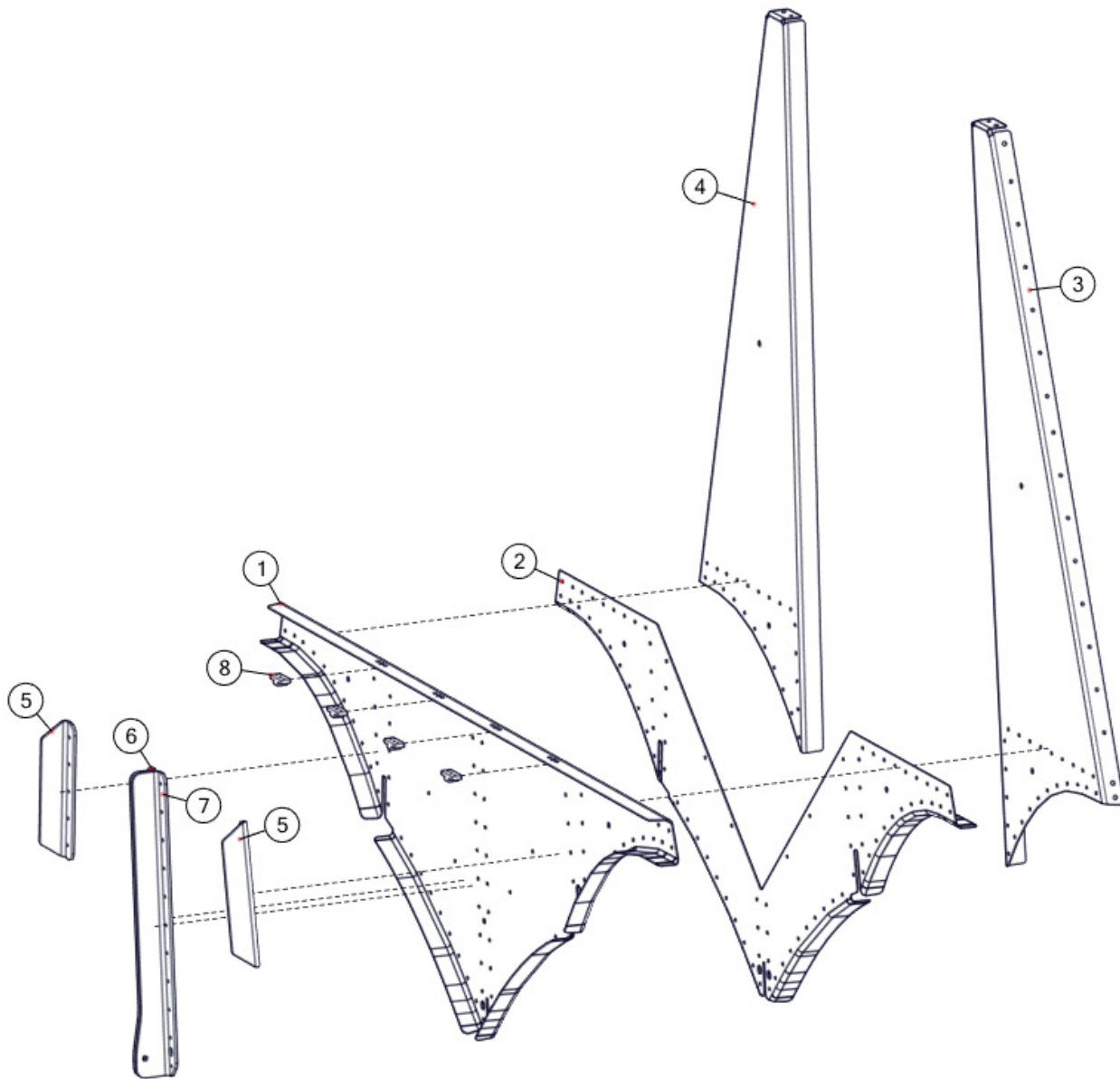
1007506 ASSEMBLY, BULKHEAD 7, RIGHT FLOAT



1007506 ASSEMBLY, BULKHEAD 7, RIGHT FLOAT

ITEM	QTY	PART NO.	PART DESCRIPTION
1	1	1007580	PANEL, BOTTOM, AFT, BULKHEAD
2	1	1007581	PANEL, BOTTOM, FORWARD, BULKHEAD
3	1	1007582	PANEL, SIDE, INBOARD, BULKHEAD, RIGHT FLOAT
4	1	1007584	PANEL, SIDE, OUTBOARD, BULKHEAD, RIGHT FLOAT
5	1	1007679	ANGLE, ATTACH, COMMON, BULKHEAD
6	2	1007710	ANGLE, ATTACH, SISTER KEEL, BULKHEAD
7	1	1007742	ANGLE, ATTACH, MAIN KEEL, LEFT, BULKHEAD
8	1	1007743	ANGLE, ATTACH, MAIN KEEL, RIGHT, BULKHEAD
9	1	1007750	STIFFENER, SIDE PANEL, INBOARD, BULKHEAD, RIGHT FLOAT
10	1	1007752	STIFFENER, SIDE PANEL, OUTBOARD, BULKHEAD, RIGHT FLOAT
11	1	1007753	BRACKET, STIFFENER, SIDE PANEL, OUTBOARD, BULKHEAD
12	1	1007754	BRACKET, STIFFENER, SIDE PANEL, INBOARD, BULKHEAD
13	4	1006420-01	NUT PLATE

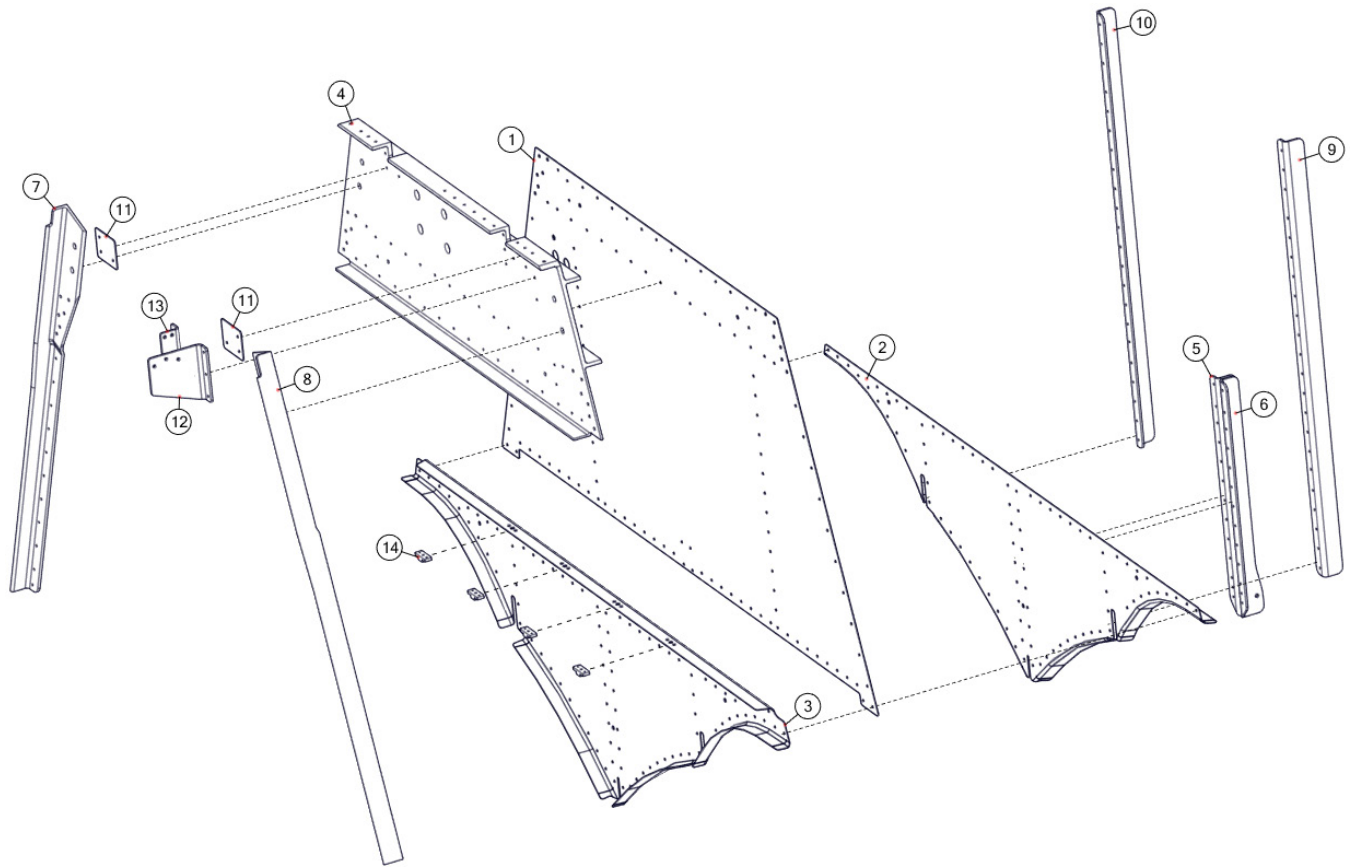
1007508 ASSEMBLY, BULKHEAD 8



1007508 ASSEMBLY, BULKHEAD 8

ITEM	QTY	PART NO.	PART DESCRIPTION
1	1	1007586	PANEL, BOTTOM, FORWARD, BULKHEAD
2	1	1007587	PANEL, BOTTOM, AFT, BULKHEAD
3	1	1007588	PANEL, SIDE, LEFT, BULKHEAD
4	1	1007589	PANEL, SIDE, RIGHT, BULKHEAD
5	2	1007710	ANGLE, ATTACH, SISTER KEEL, BULKHEAD
6	1	1007742	ANGLE, ATTACH, MAIN KEEL, LEFT
7	1	1007743	ANGLE, ATTACH, MAIN KEEL, RIGHT
8	4	1006420-01	NUT PLATE

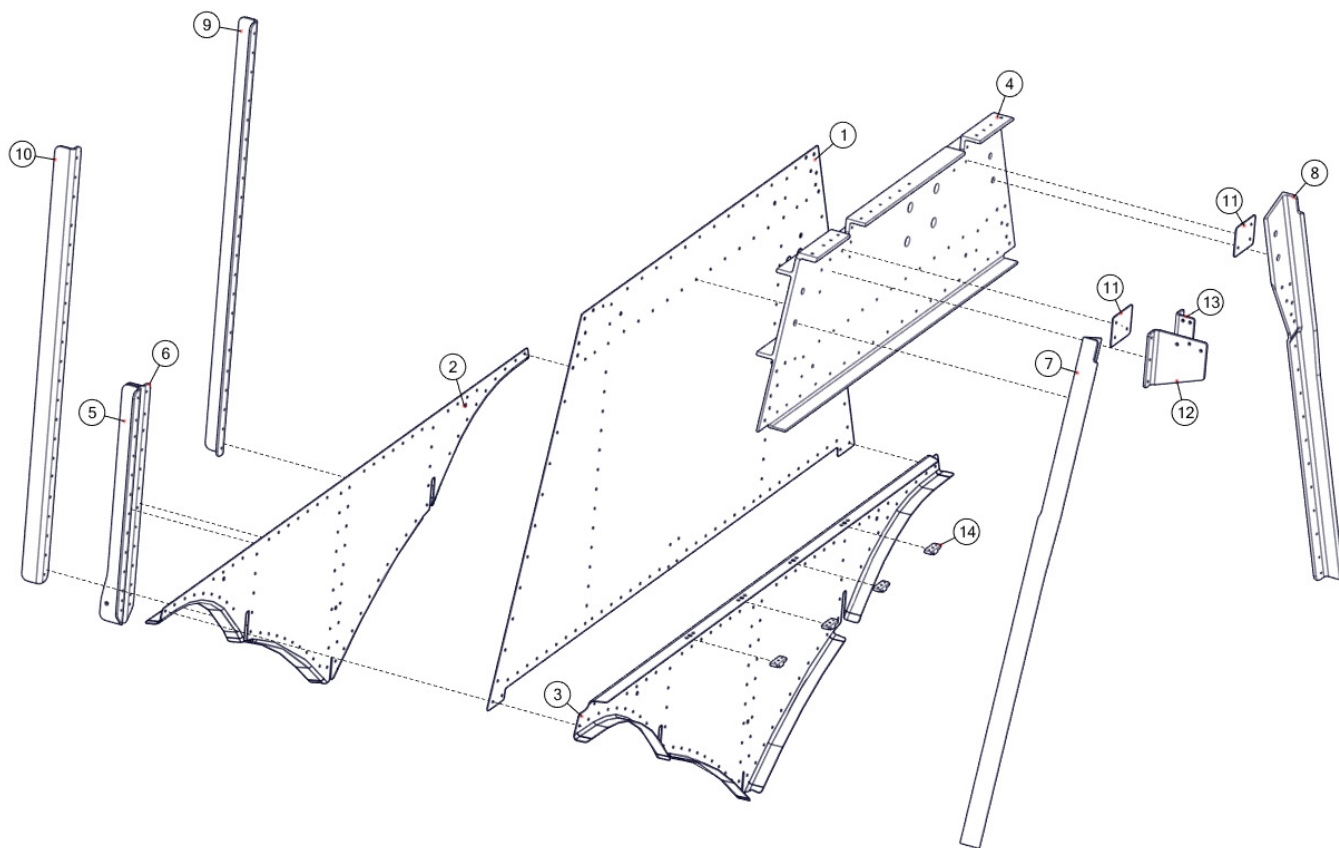
1007509 ASSEMBLY, BULKHEAD 9, LEFT FLOAT



1007509 ASSEMBLY, BULKHEAD 9, LEFT FLOAT

ITEM	QTY	PART NO.	PART DESCRIPTION
1	1	1007590	PANEL, MAIN, BULKHEAD
2	1	1007591	PANEL, BOTTOM, AFT, BULKHEAD
3	1	1007592	PANEL, BOTTOM, FORWARD, BULKHEAD
4	1	1007593	PANEL, FORWARD SPREADER BAR, FRONT, LEFT FLOAT
5	1	1007675	ANGLE, ATTACH, MAIN KEEL, BULKHEAD
6	1	1007676	ANGLE, ATTACH, MAIN KEEL, BULKHEAD
7	1	1007755	ANGLE, ATTACH, SIDE SKIN, RIGHT, FORWARD SPREADER BAR FRONT PANEL
8	1	1007756	ANGLE, ATTACH, SIDE SKIN, LEFT, FORWARD SPREADER BAR FRONT PANEL
9	1	1007757	ANGLE, ATTACH, SISTER KEEL, RIGHT, BULKHEAD
10	2	1007758	ANGLE, ATTACH, SISTER KEEL, LEFT, BULKHEAD
11	1	1007773	COVER, SEALING, TOP RAIL, BULKHEAD
12	1	1007859	BRACKET, ATTACH, TOP RAIL, BULKHEAD, LEFT FLOAT
13	4	1007873	ANGLE, ATTACH, TOP RAIL, BULKHEAD, LEFT FLOAT
14	4	1006420-01	NUT PLATE

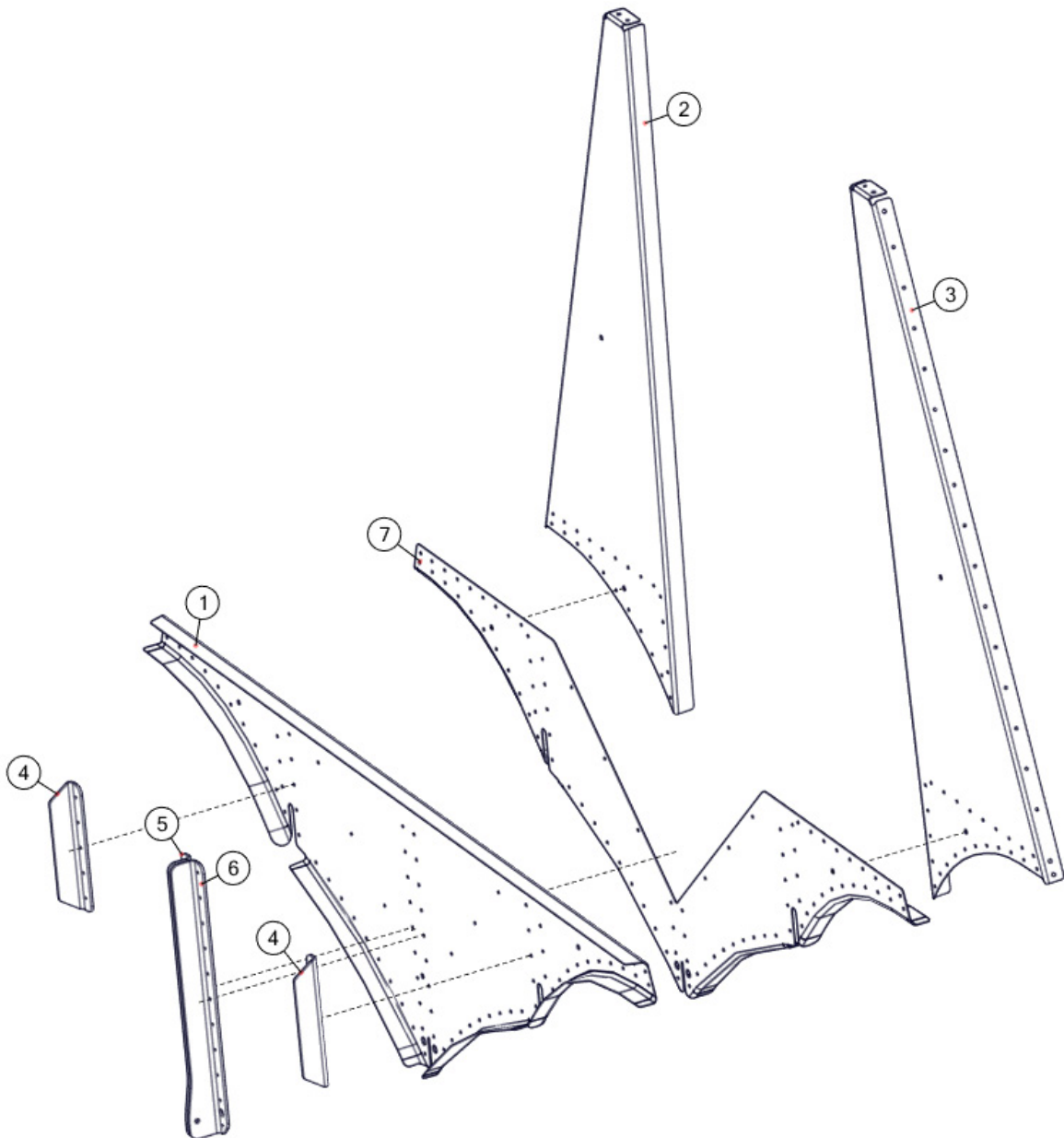
1007510 ASSEMBLY, BULKHEAD 9, RIGHT FLOAT



1007510 ASSEMBLY, BULKHEAD 9, RIGHT FLOAT

ITEM	QTY	PART NO.	PART DESCRIPTION
1	1	1007590	PANEL, MAIN, BULKHEAD
2	1	1007591	PANEL, BOTTOM, AFT, BULKHEAD
3	1	1007592	PANEL, BOTTOM, FORWARD, BULKHEAD
4	1	1007594	PANEL, FORWARD SPREADER BAR, FRONT, RIGHT FLOAT
5	1	1007675	ANGLE, ATTACH, MAIN KEEL, BULKHEAD
6	1	1007676	ANGLE, ATTACH, MAIN KEEL, BULKHEAD
7	1	1007755	ANGLE, ATTACH, SIDE SKIN, RIGHT, FORWARD SPREADER BAR FRONT PANEL
8	1	1007756	ANGLE, ATTACH, SIDE SKIN, LEFT, FORWARD SPREADER BAR FRONT PANEL
9	1	1007757	ANGLE, ATTACH, SISTER KEEL, RIGHT, BULKHEAD
10	2	1007758	ANGLE, ATTACH, SISTER KEEL, LEFT, BULKHEAD
11	1	1007773	COVER, SEALING, TOP RAIL, BULKHEAD
12	1	1007860	BRACKET, ATTACH, TOP RAIL, BULKHEAD, RIGHT FLOAT
13	4	1007874	ANGLE, ATTACH, TOP RAIL, BULKHEAD, RIGHT FLOAT
14	4	1006420-01	NUT PLATE

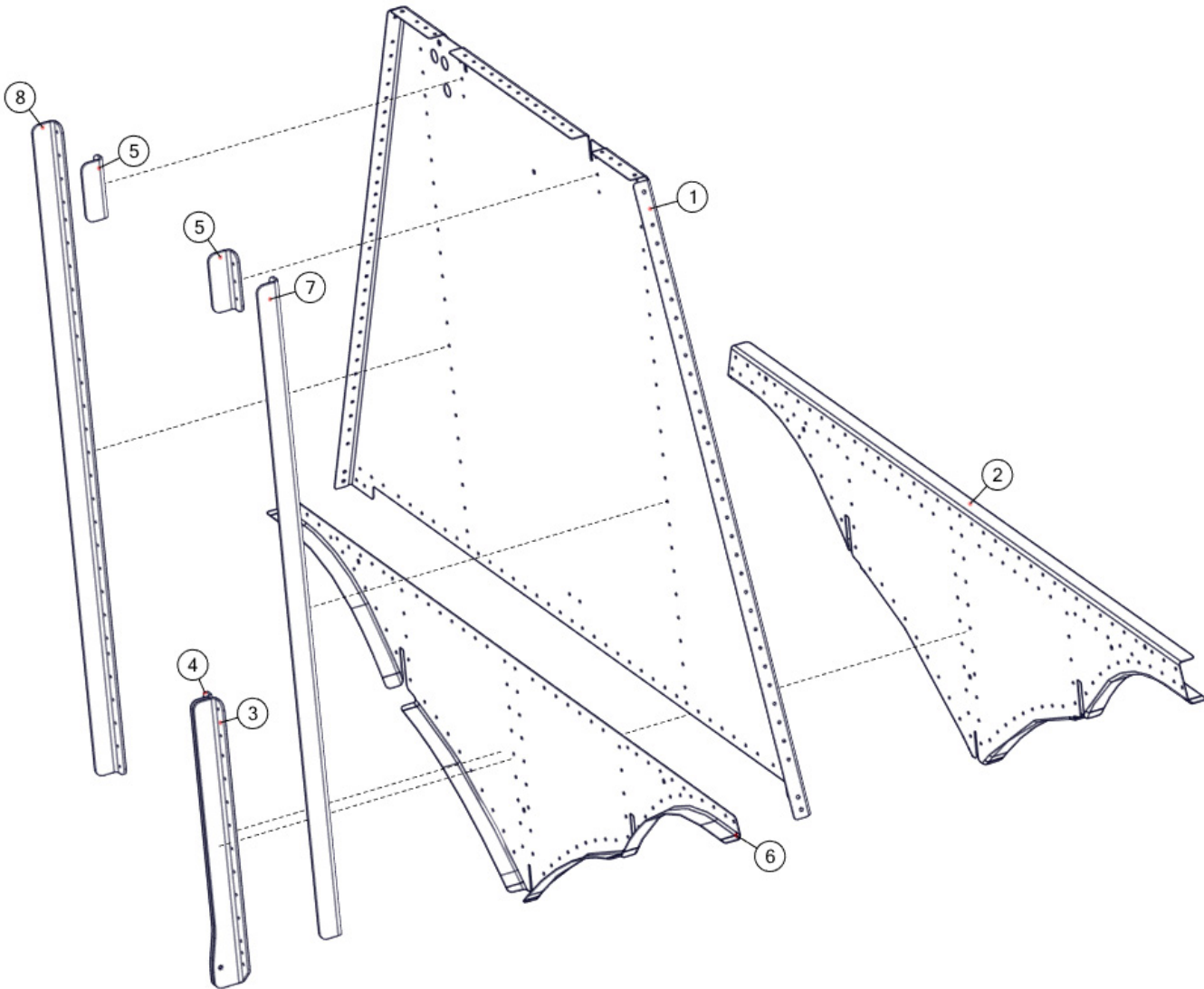
1007511 ASSEMBLY, BULKHEAD 10



1007511 ASSEMBLY, BULKHEAD 10

ITEM	QTY	PART NO.	PART DESCRIPTION
1	1	1007595	PANEL, BOTTOM, FORWARD, BULKHEAD
2	1	1007596	PANEL, SIDE, RIGHT, BULKHEAD
3	1	1007597	PANEL, SIDE, LEFT, BULKHEAD
4	2	1007710	ANGLE, ATTACH, SISTER KEEL, BULKHEAD
5	1	1007742	ANGLE, ATTACH, MAIN KEEL, LEFT
6	1	1007743	ANGLE, ATTACH, MAIN KEEL, RIGHT
7	1	1007760	PANEL, BOTTOM, AFT, BULKHEAD

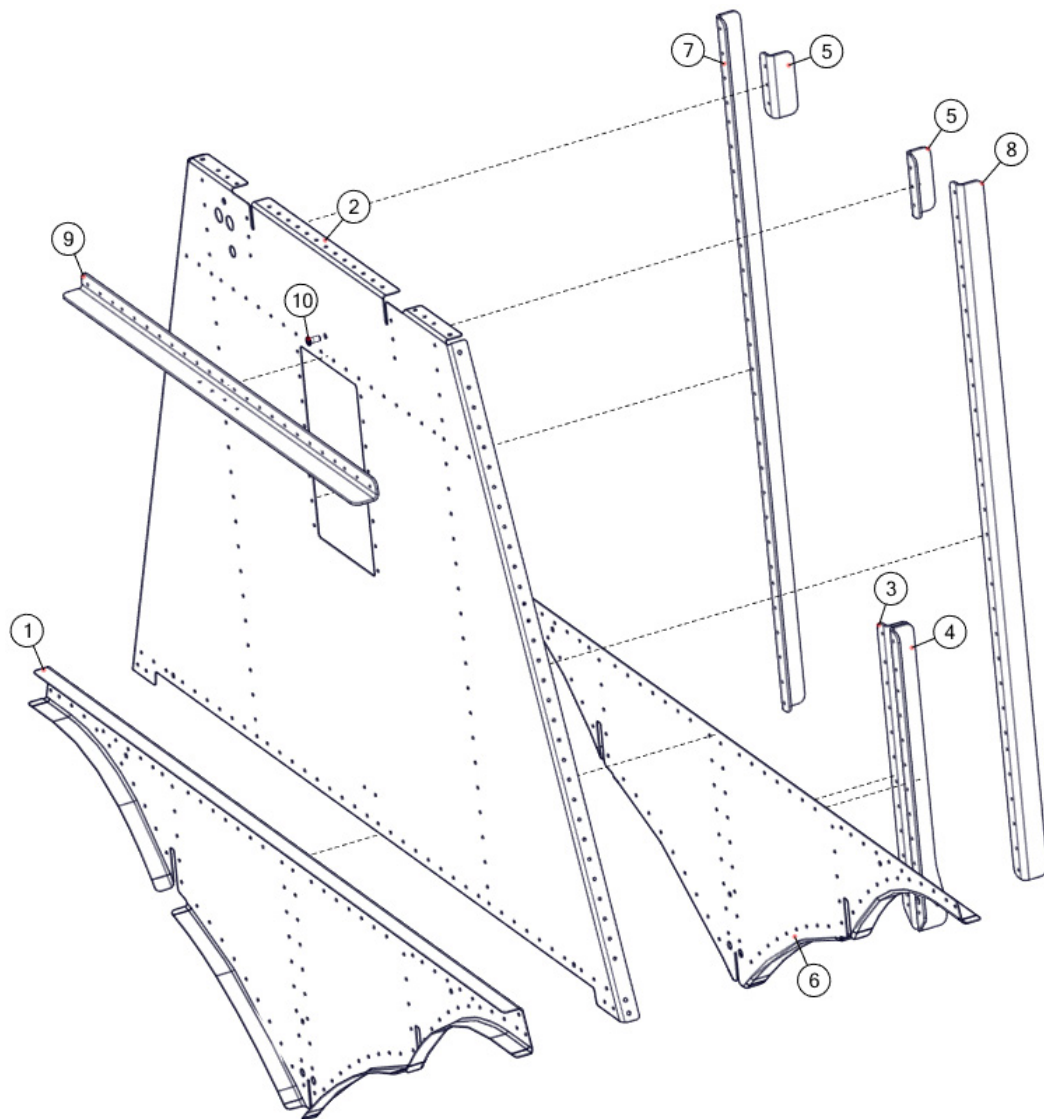
1007512 ASSEMBLY, BULKHEAD 11



1007512 ASSEMBLY, BULKHEAD 11

ITEM	QTY	PART NO.	PART DESCRIPTION
1	1	1007599	PANEL, MAIN, BULKHEAD
2	1	1007600	PANEL, BOTTOM, BULKHEAD
3	1	1007675	ANGLE, ATTACH, MAIN KEEL, BULKHEAD
4	1	1007676	ANGLE, ATTACH, MAIN KEEL, BULKHEAD
5	2	1007679	ANGLE, ATTACH, COMMON, BULKHEAD
6	1	1007731	PANEL, BOTTOM, BULKHEAD
7	1	1007732	ANGLE, ATTACH, SISTER KEEL, LEFT, BULKHEAD
8	1	1007733	ANGLE, ATTACH, SISTER KEEL, RIGHT, BULKHEAD

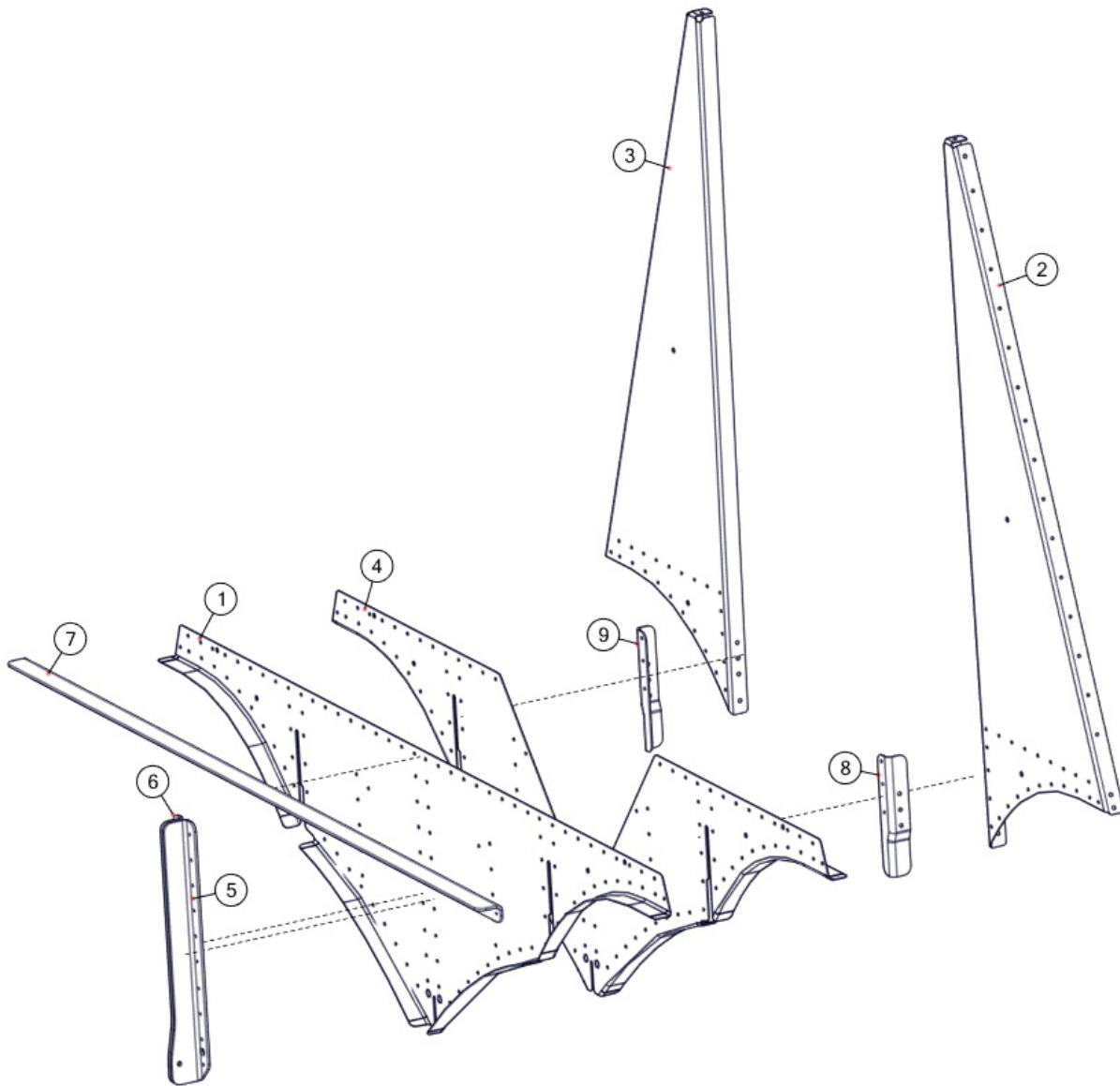
1007513 ASSEMBLY, BULKHEAD 12



1007513 ASSEMBLY, BULKHEAD 12

ITEM	QTY	PART NO.	PART DESCRIPTION
1	1	1007600	PANEL, BOTTOM, BULKHEAD
2	1	1007601	PANEL, MAIN, BULKHEAD
3	1	1007675	ANGLE, ATTACH, MAIN KEEL, BULKHEAD
4	1	1007676	ANGLE, ATTACH, MAIN KEEL, BULKHEAD
5	2	1007679	ANGLE, ATTACH, COMMON, BULKHEAD
6	1	1007731	PANEL, BOTTOM, BULKHEAD
7	1	1007732	ANGLE, ATTACH, SISTER KEEL, LEFT, BULKHEAD
8	1	1007733	ANGLE, ATTACH, SISTER KEEL, RIGHT, BULKHEAD
9	1	1007734	STIFFENER, HORIZONTAL, BULKHEAD
10	1	MS27130A7	RIVNUT

1007516 ASSEMBLY, BULKHEAD 13



1007516 ASSEMBLY, BULKHEAD 13

ITEM	QTY	PART NO.	PART DESCRIPTION
1	1	1007602	PANEL, BOTTOM, FORWARD, BULKHEAD
2	1	1007603	PANEL, SIDE, LEFT, BULKHEAD
3	1	1007604	PANEL, SIDE, RIGHT, BULKHEAD
4	1	1007631	PANEL, BOTTOM, AFT, BULKHEAD
5	1	1007722	ANGLE, ATTACH, LEFT, MAIN KEEL
6	1	1007723	ANGLE, ATTACH, RIGHT, MAIN KEEL, BULKHEAD
7	1	1007724	STIFFENER, HORIZONTAL, BULKHEAD
8	1	1007729	ANGLE, ATTACH, LEFT, SISTER KEEL, BULKHEAD
9	1	1007730	ANGLE, ATTACH, RIGHT, SISTER KEEL, BULKHEAD

1007517 ASSEMBLY, BULKHEAD 14

See [Section 3 Wheel Well Assembly](#)

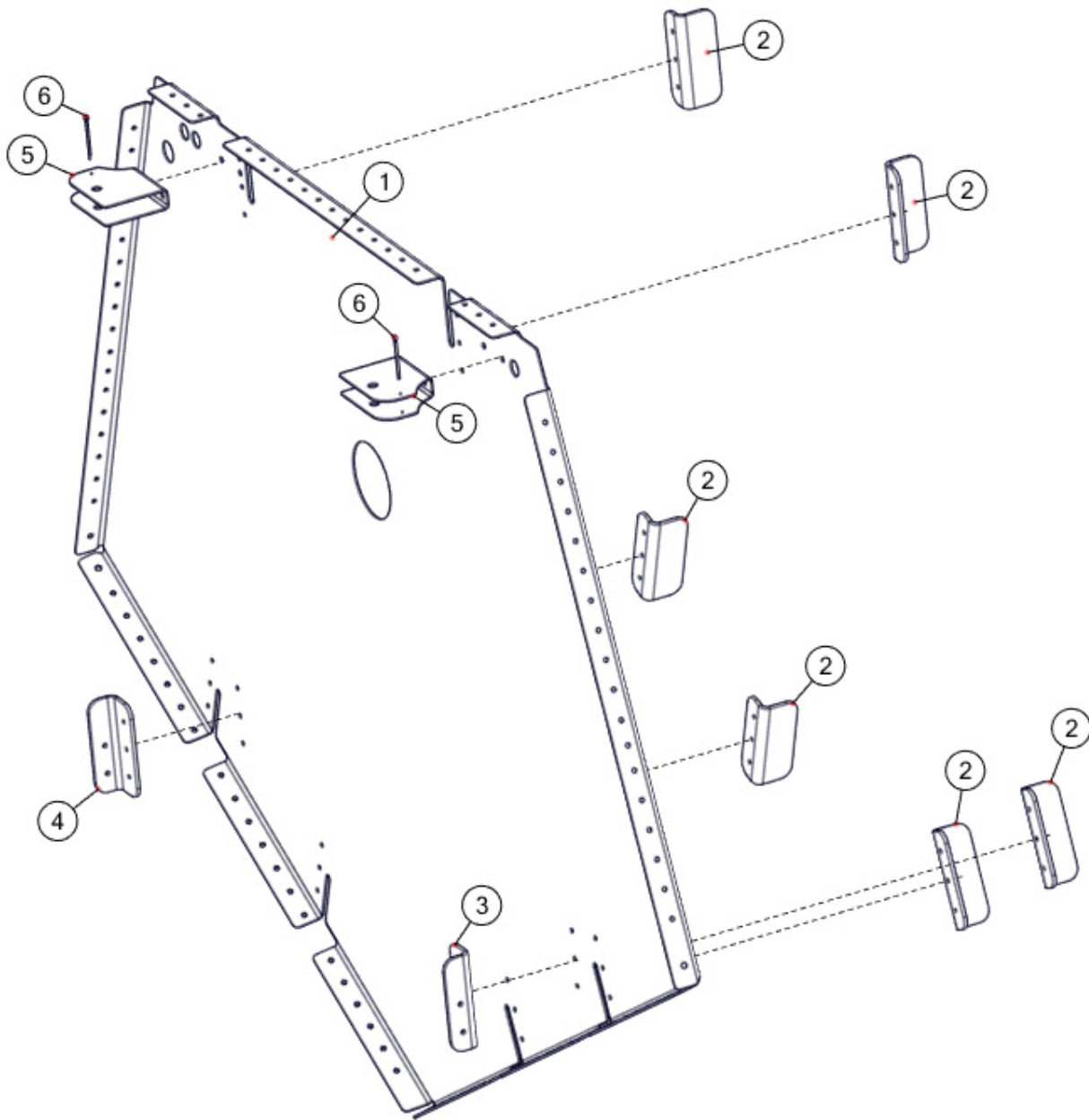
1007519 ASSEMBLY, BULKHEAD 15, LEFT FLOAT

See [Section 3 Wheel Well Assembly](#)

1007518 ASSEMBLY, BULKHEAD 15, RIGHT FLOAT

See [Section 3 Wheel Well Assembly](#)

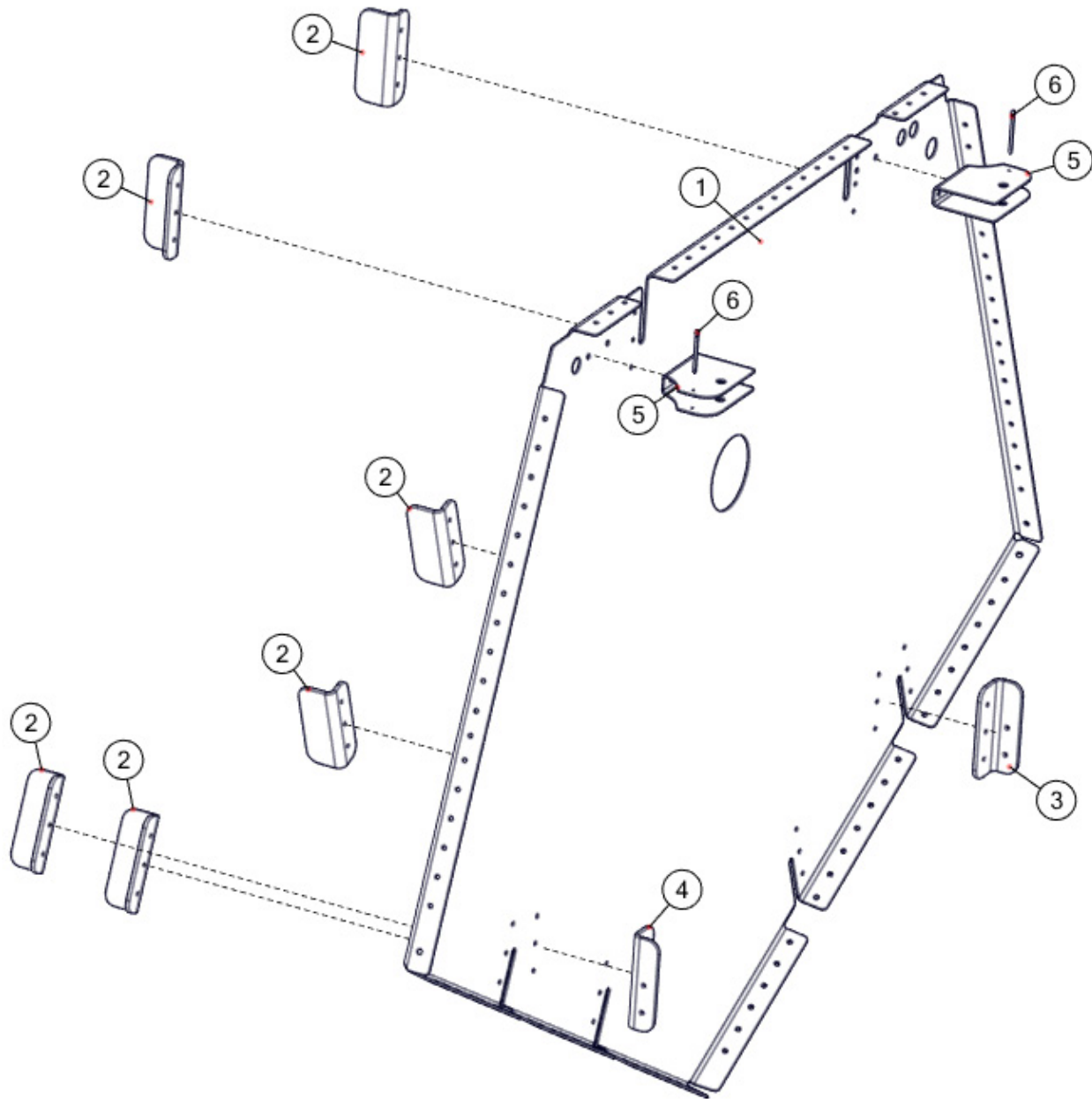
1007521 ASSEMBLY, BULKHEAD 16, LEFT FLOAT



1007521 ASSEMBLY, BULKHEAD 16, LEFT FLOAT

ITEM	QTY	PART NO.	PART DESCRIPTION
1	1	1007611	PANEL, BULKHEAD, LEFT FLOAT
2	6	1007679	ANGLE, ATTACH, COMMON, BULKHEAD
3	1	1007801	ANGLE, ATTACH, CARRY THROUGH, LEFT, BULKHEAD
4	1	1007802	ANGLE, ATTACH, CARRY THROUGH, RIGHT, BULKHEAD
5	2	3A01151-010	PULLEY BRACKET
6	2	MS24665-136	COTTER PIN

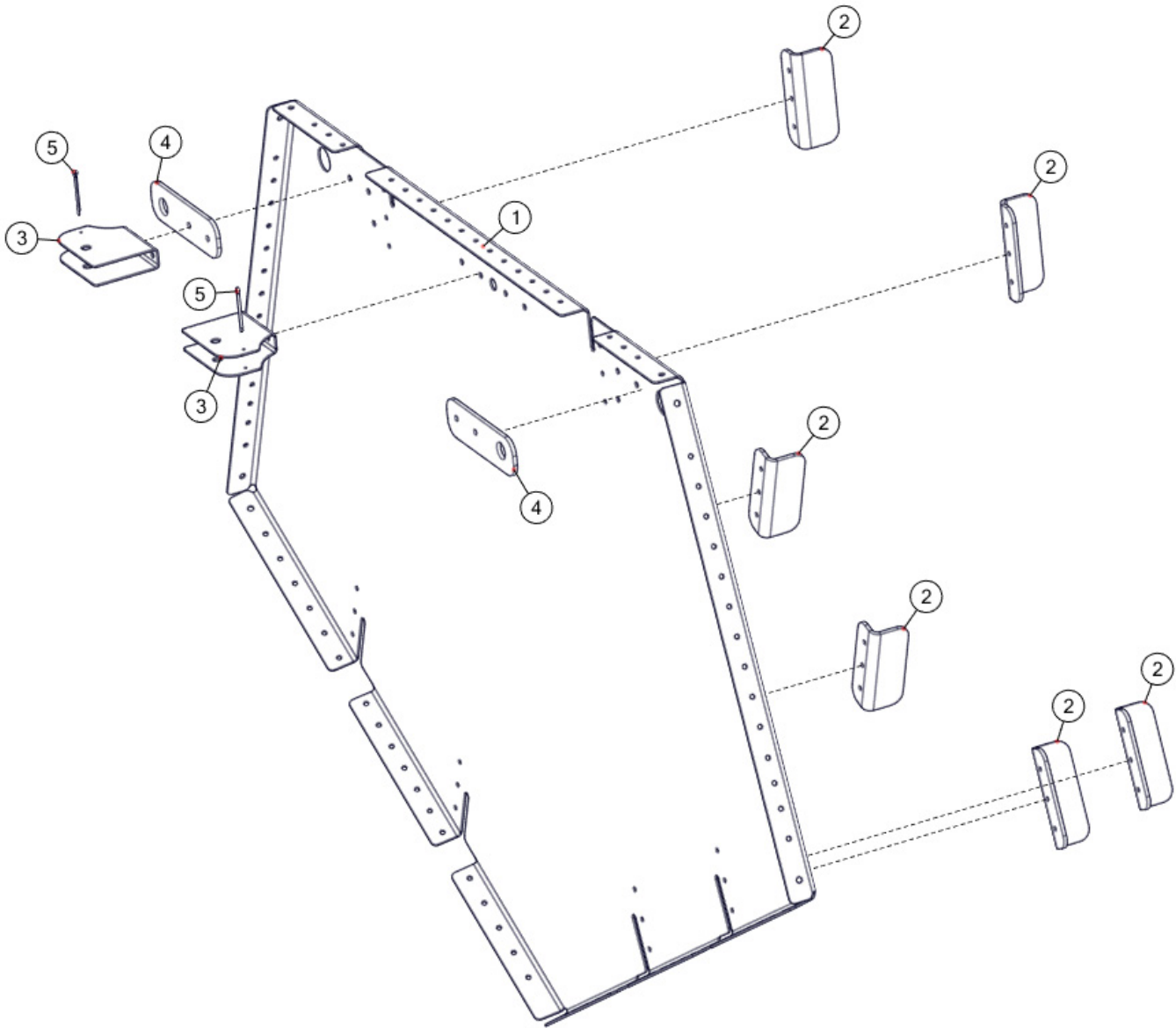
1007520 ASSEMBLY, BULKHEAD 16, RIGHT FLOAT



1007520 ASSEMBLY, BULKHEAD 16, RIGHT FLOAT

ITEM	QTY	PART NO.	PART DESCRIPTION
1	1	1007610	PANEL, BULKHEAD, RIGHT FLOAT
2	6	1007679	ANGLE, ATTACH, COMMON, BULKHEAD
3	1	1007801	ANGLE, ATTACH, CARRY THROUGH, LEFT, BULKHEAD
4	1	1007802	ANGLE, ATTACH, CARRY THROUGH, RIGHT, BULKHEAD
5	2	3A01151-010	PULLEY BRACKET
6	2	MS24665-136	COTTER PIN

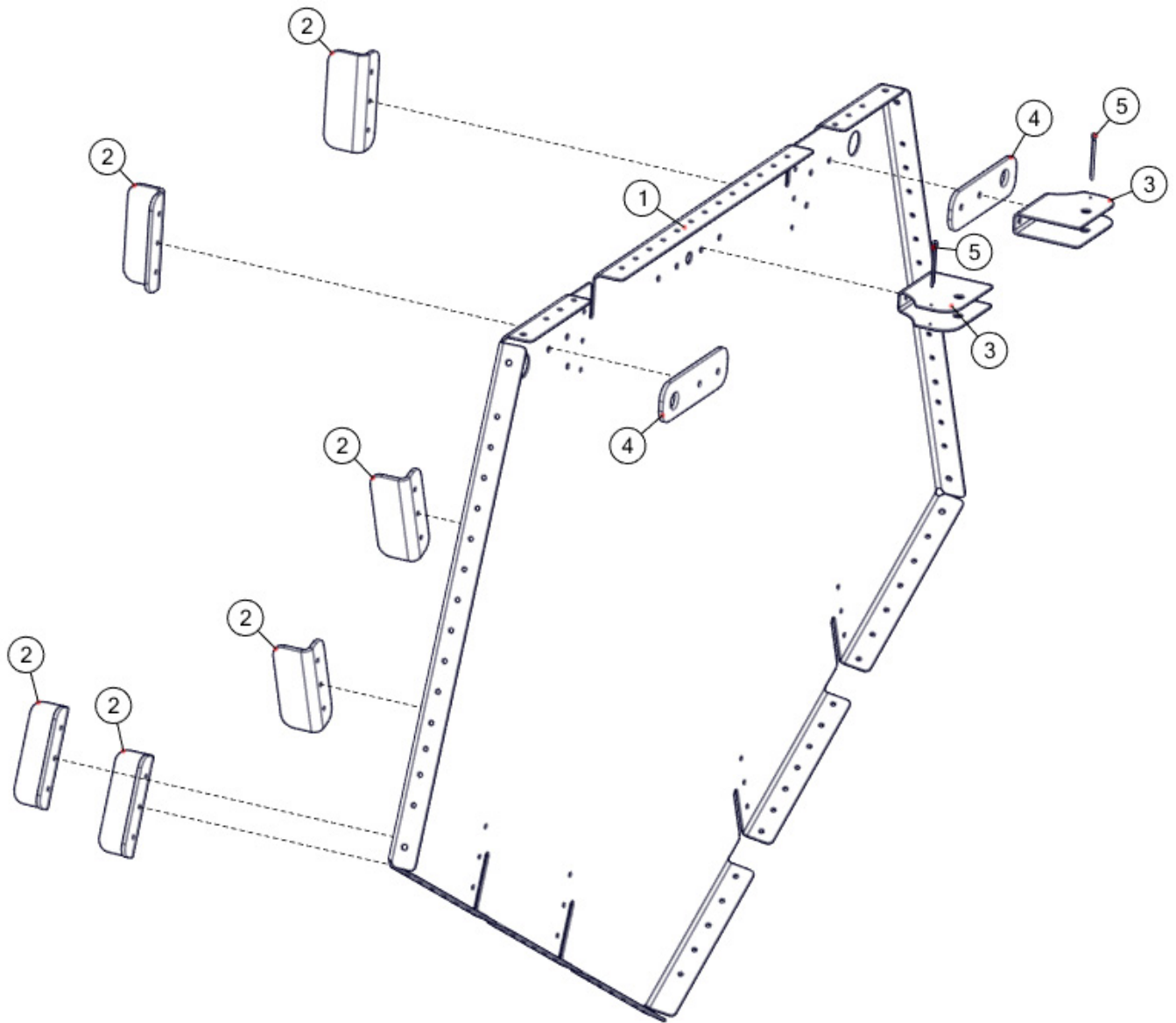
1007523 ASSEMBLY, BULKHEAD 17, LEFT FLOAT



1007523 ASSEMBLY, BULKHEAD 17, LEFT FLOAT

ITEM	QTY	PART NO.	PART DESCRIPTION
1	1	1007612	PANEL, BULKHEAD
2	6	1007679	ANGLE, ATTACH, COMMON, BULKHEAD
3	2	3A01151-010	PULLEY BRACKET
4	2	6A01156-069	DOUBLER, BULKHEAD
5	2	MS24665-136	COTTER PIN

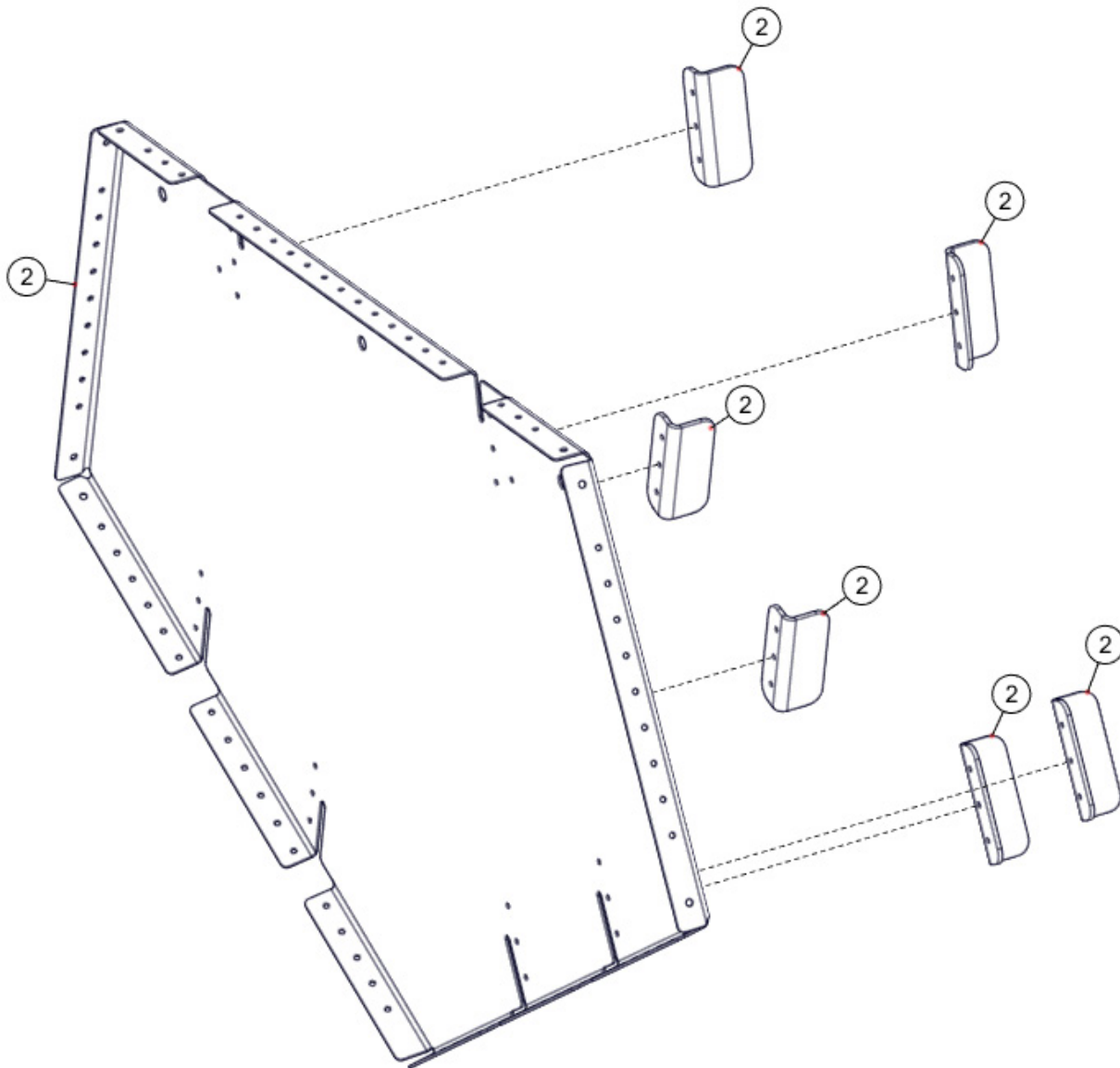
1007522 ASSEMBLY, BULKHEAD 17, RIGHT FLOAT



1007522 ASSEMBLY, BULKHEAD 17, RIGHT FLOAT

ITEM	QTY	PART NO.	PART DESCRIPTION
1	1	1007612	PANEL, BULKHEAD
2	6	1007679	ANGLE, ATTACH, COMMON, BULKHEAD
3	2	3A01151-010	PULLEY BRACKET
4	2	6A01156-069	DOUBLER, BULKHEAD
5	2	MS24665-136	COTTER PIN

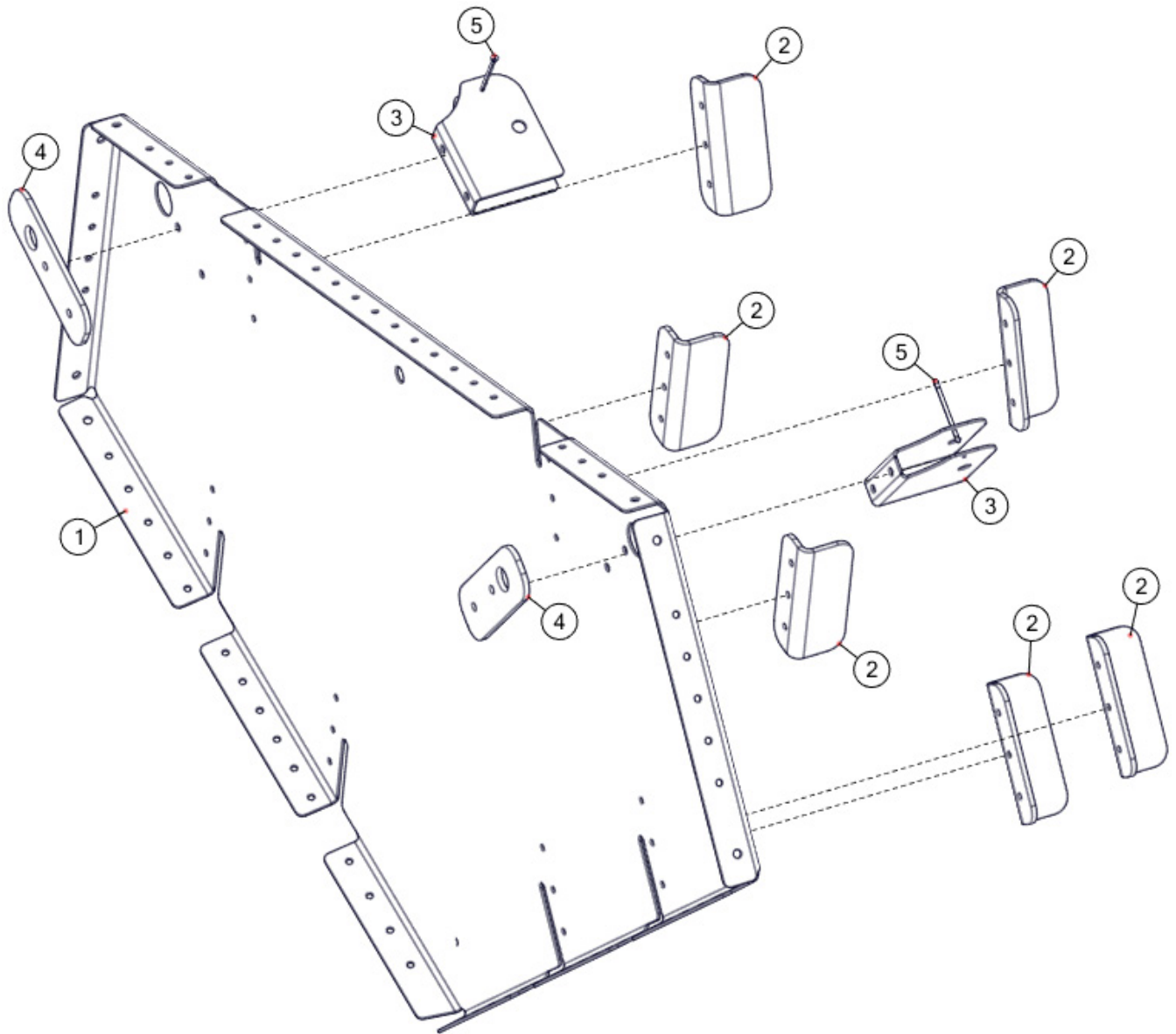
1007524 ASSEMBLY, BULKHEAD 18



1007524 ASSEMBLY, BULKHEAD 18

ITEM	QTY	PART NO.	PART DESCRIPTION
1	1	1007613	PANEL, BULKHEAD
2	6	1007679	ANGLE, ATTACH, COMMON, BULKHEAD

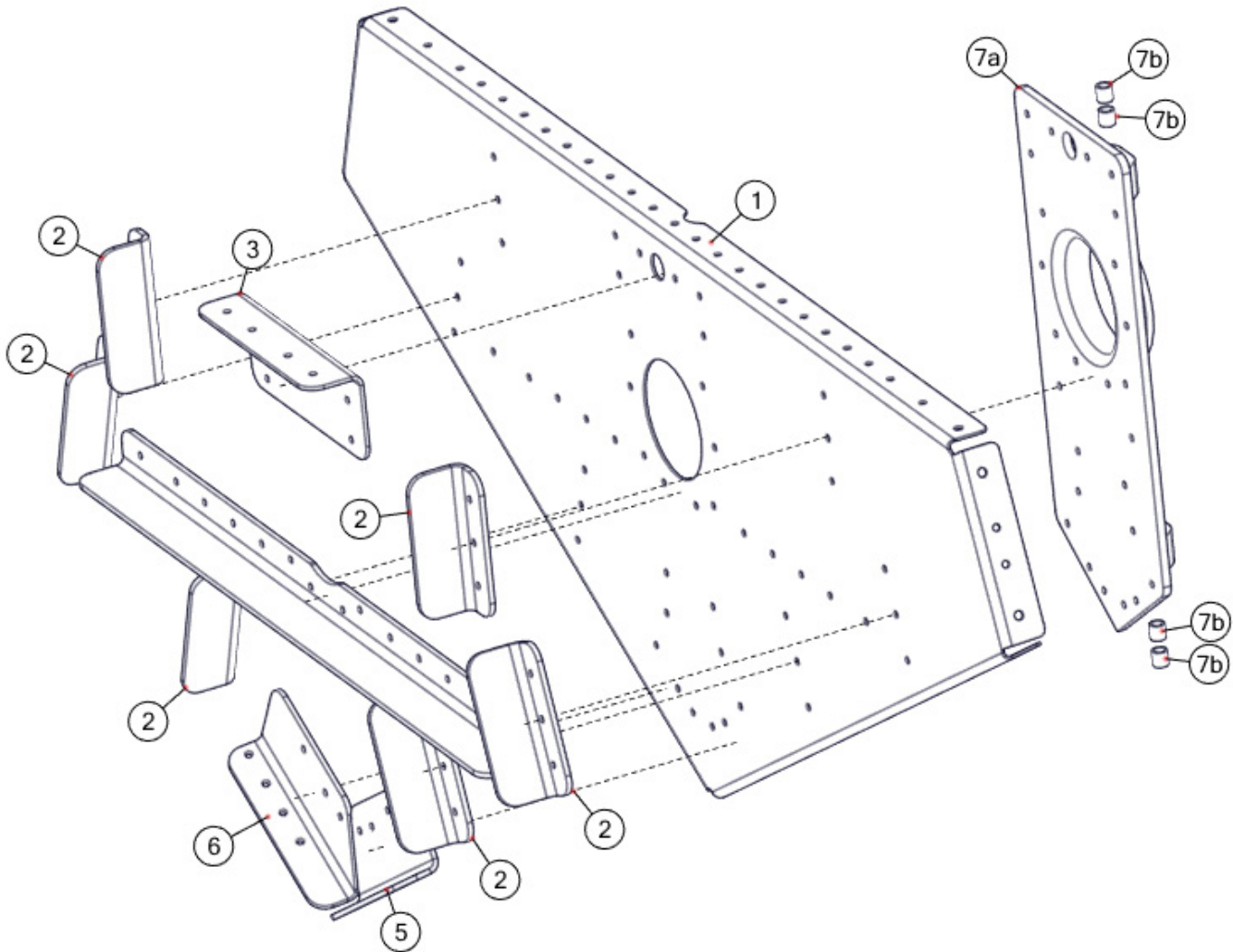
1007525 ASSEMBLY, BULKHEAD 19



1007525 ASSEMBLY, BULKHEAD 19

ITEM	QTY	PART NO.	PART DESCRIPTION
1	1	1007614	PANEL, BULKHEAD
2	6	1007679	ANGLE, ATTACH, COMMON
3	2	3A01151-010	PULLEY BRACKET
4	2	6A01156-070	DOUBLER, CABLE, BULKHEAD
5	2	MS24665-136	COTTER PIN

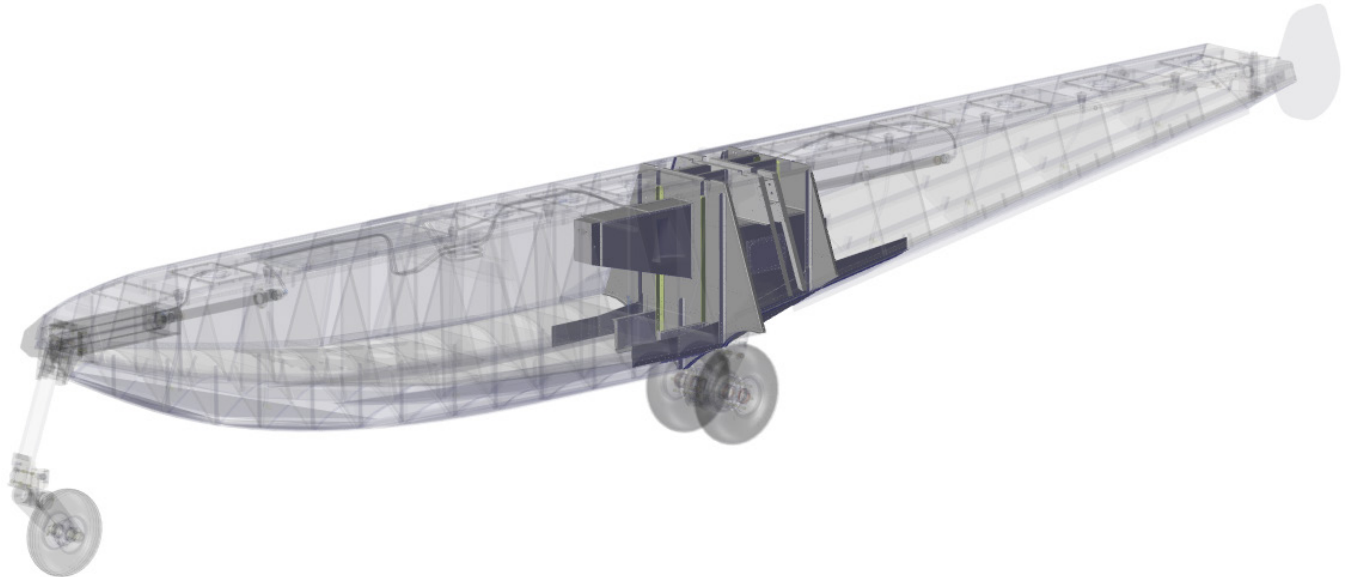
1007526 ASSEMBLY, BULKHEAD 20



1007526 ASSEMBLY, BULKHEAD 20

ITEM	QTY	PART NO.	PART DESCRIPTION
1	1	1007615	PANEL, BULKHEAD
2	6	1007679	ANGLE, ATTACH, COMMON, BULKHEAD
3	1	1007689	STIFFENER, TOP, BULKHEAD
4	1	1007690	STIFFENER, MID, BULKHEAD
5	1	1007691	STIFFENER, BOTTOM, LEFT, BULKHEAD
6	1	1007692	STIFFENER, BOTTOM, RIGHT, BULKHEAD
7*	1	3A01437-001	ASSEMBLY, MOUNT, PIVOT, WATER RUDDER
7a	1	-	ALUMINUM MATERIAL (not sold separately)
7b	4	03DU04	BUSHING

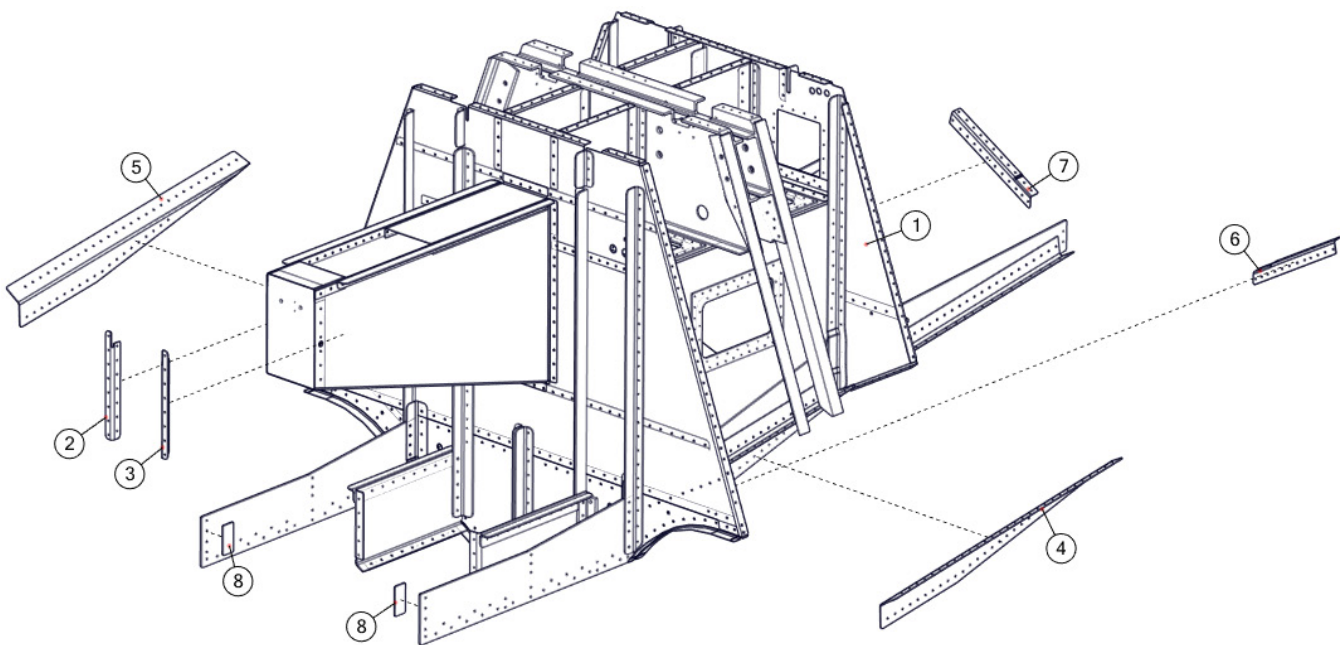
SECTION 3 WHEEL WELL ASSEMBLY



CONTENTS

WHEEL WELL ASSEMBLY WITH SURROUNDING STRUCTURE, LEFT FLOAT	42
WHEEL WELL ASSEMBLY WITH SURROUNDING STRUCTURE, RIGHT FLOAT	43
ACCESS COVERS, WHEEL WELL ASSEMBLY, LEFT FLOAT	44
ACCESS COVERS, WHEEL WELL ASSEMBLY, RIGHT FLOAT	45
1007515 ASSEMBLY, WHEEL WELL, LEFT FLOAT	46
1007514 ASSEMBLY, WHEEL WELL, RIGHT FLOAT	48
1007517 ASSEMBLY, BULKHEAD 14.....	50
1007663 ASSEMBLY, PANEL, SUPPORT, DRAG BRACE, RIGHT	51
1007664 ASSEMBLY, PANEL, SUPPORT, DRAG BRACE, LEFT	52
1007519 ASSEMBLY, BULKHEAD 15, LEFT FLOAT	53
1007518 ASSEMBLY, BULKHEAD 15, RIGHT FLOAT	54
1007561 ASSEMBLY, PANEL, FRONT, AFT SPREADER BAR, LEFT FLOAT	55
1007560 ASSEMBLY, PANEL, FRONT, AFT SPREADER BAR, RIGHT FLOAT.....	56
1007563 ASSEMBLY, PANEL, REAR, AFT SPREADER BAR, LEFT FLOAT	57
1007562 ASSEMBLY, PANEL, REAR, AFT SPREADER BAR, RIGHT FLOAT.....	58
1007564 ASSEMBLY, PANEL, MAIN, RIGHT, WHEEL WELL.....	59
1007565 ASSEMBLY, PANEL, MAIN, LEFT, WHEEL WELL.....	60

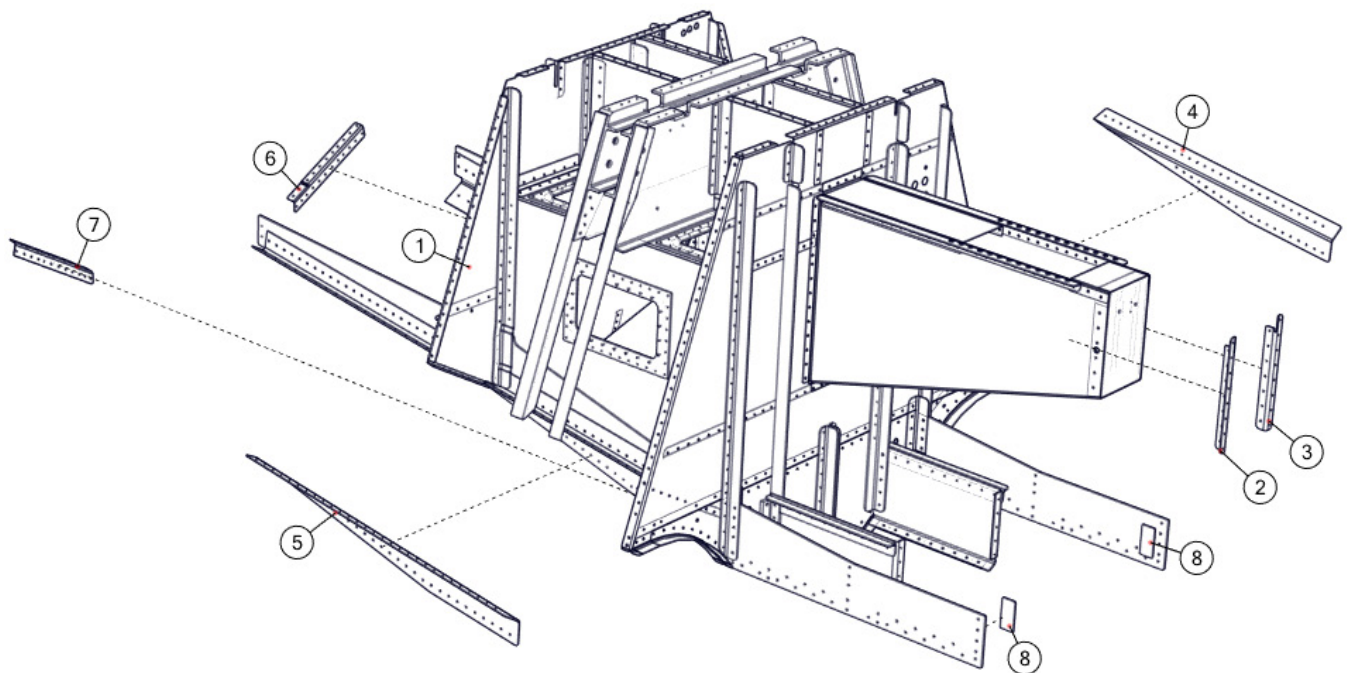
WHEEL WELL ASSEMBLY WITH SURROUNDING STRUCTURE, LEFT FLOAT



WHEEL WELL ASSEMBLY WITH SURROUNDING STRUCTURE, LEFT FLOAT

ITEM	QTY	PART NO.	PART DESCRIPTION
1	1	1007515	ASSEMBLY, WHEEL WELL, LEFT FLOAT
2	1	1007766	BRACKET, MOUNTING, RIGHT, GEAR TUNNEL
3	1	1007767	BRACKET, MOUNTING, LEFT, GEAR TUNNEL
4	1	1007817	ANGLE, CARRY THROUGH, LEFT, OUTER, LOWER
5	1	1007818	ANGLE, CARRY THROUGH, RIGHT, OUTER, LOWER
6	1	1007837	DOUBLER, ATTACH, BOTTOM SKIN, LEFT
7	1	1007838	DOUBLER, ATTACH, BOTTOM SKIN, RIGHT
8	2	6A01011-001	SHIM, CARRY THROUGH STRAP

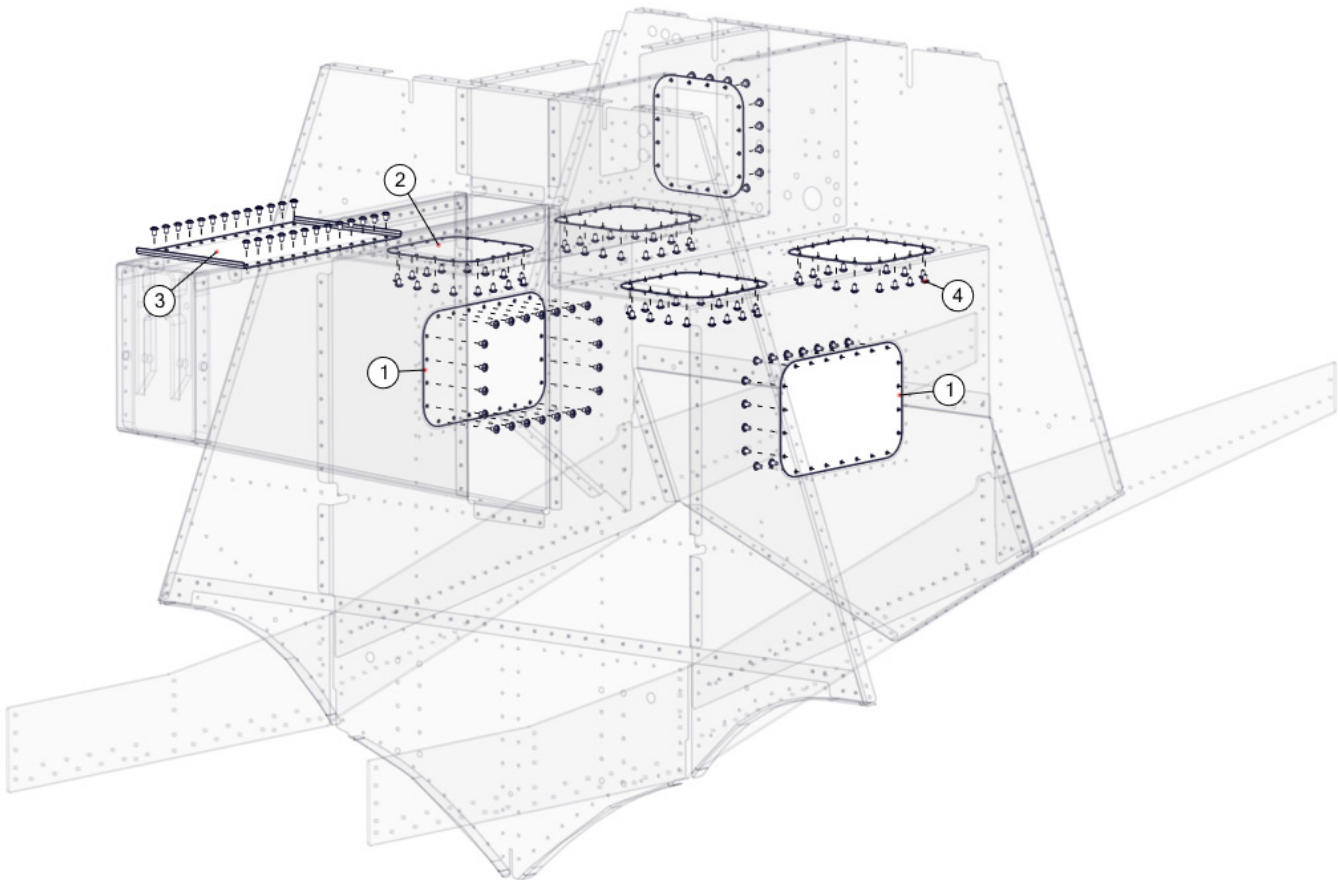
WHEEL WELL ASSEMBLY WITH SURROUNDING STRUCTURE, RIGHT FLOAT



WHEEL WELL ASSEMBLY WITH SURROUNDING STRUCTURE, RIGHT FLOAT

ITEM	QTY	PART NO.	PART DESCRIPTION
1	1	1007514	ASSEMBLY, WHEEL WELL, RIGHT FLOAT
2	1	1007766	BRACKET, MOUNTING, RIGHT, GEAR TUNNEL
3	1	1007767	BRACKET, MOUNTING, LEFT, GEAR TUNNEL
4	1	1007817	ANGLE, CARRY THROUGH, LEFT, OUTER, LOWER
5	1	1007818	ANGLE, CARRY THROUGH, RIGHT, OUTER, LOWER
6	1	1007837	DOUBLER, ATTACH, BOTTOM SKIN, LEFT
7	1	1007838	DOUBLER, ATTACH, BOTTOM SKIN, RIGHT
8	2	6A01011-001	SHIM, CARRY THROUGH STRAP

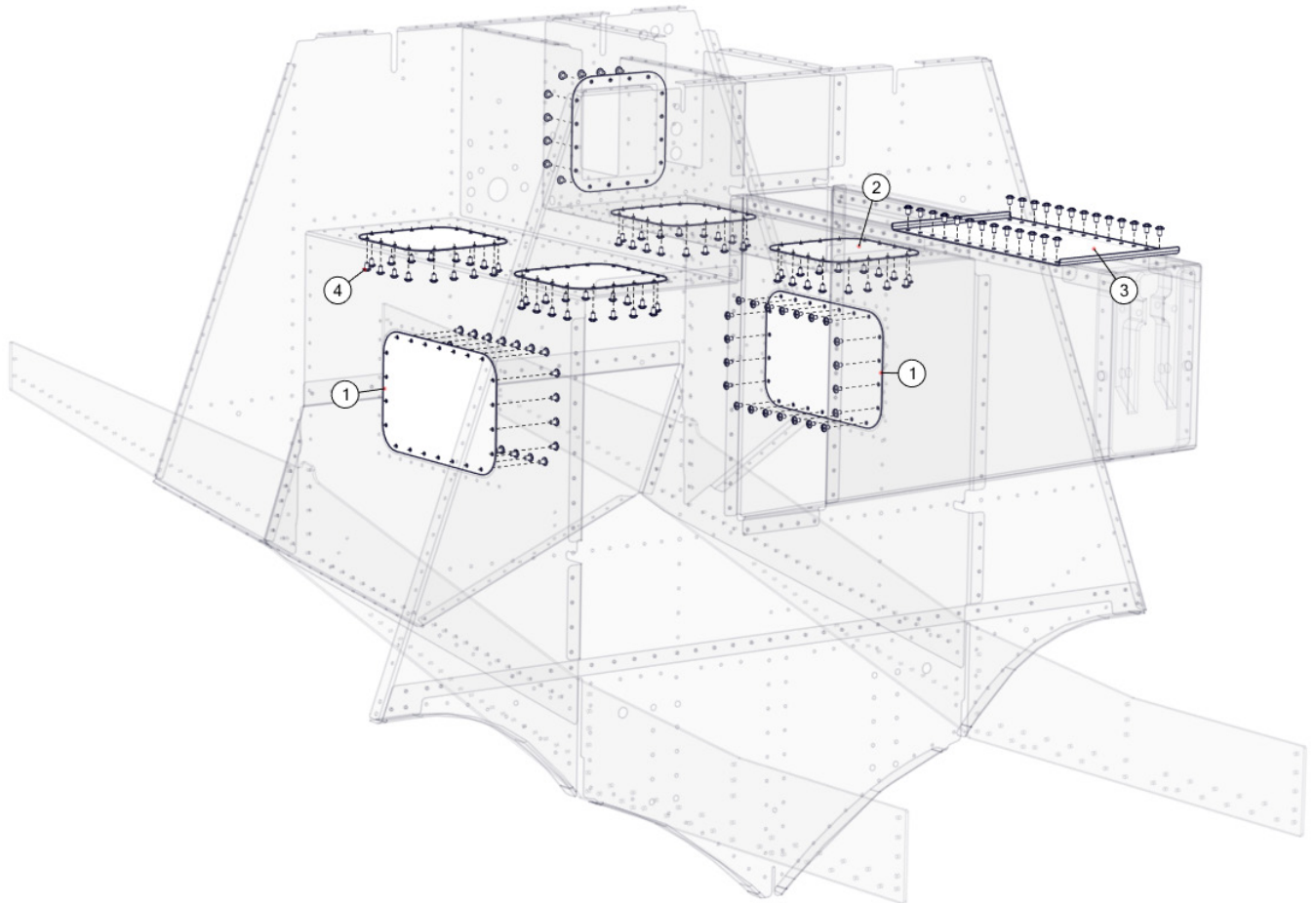
ACCESS COVERS, WHEEL WELL ASSEMBLY, LEFT FLOAT



ACCESS COVERS, WHEEL WELL ASSEMBLY, LEFT FLOAT

ITEM	QTY	PART NO.	PART DESCRIPTION
1	2	6A01158-151	COVER, INSPECTION, WHEEL WELL, LARGE
2	5	6A01158-152	COVER, INSPECTION, WHEEL WELL, SMALL
3	1	6A01005-054	COVER, TUNNEL
4	124	AN526-632R4	SCREW

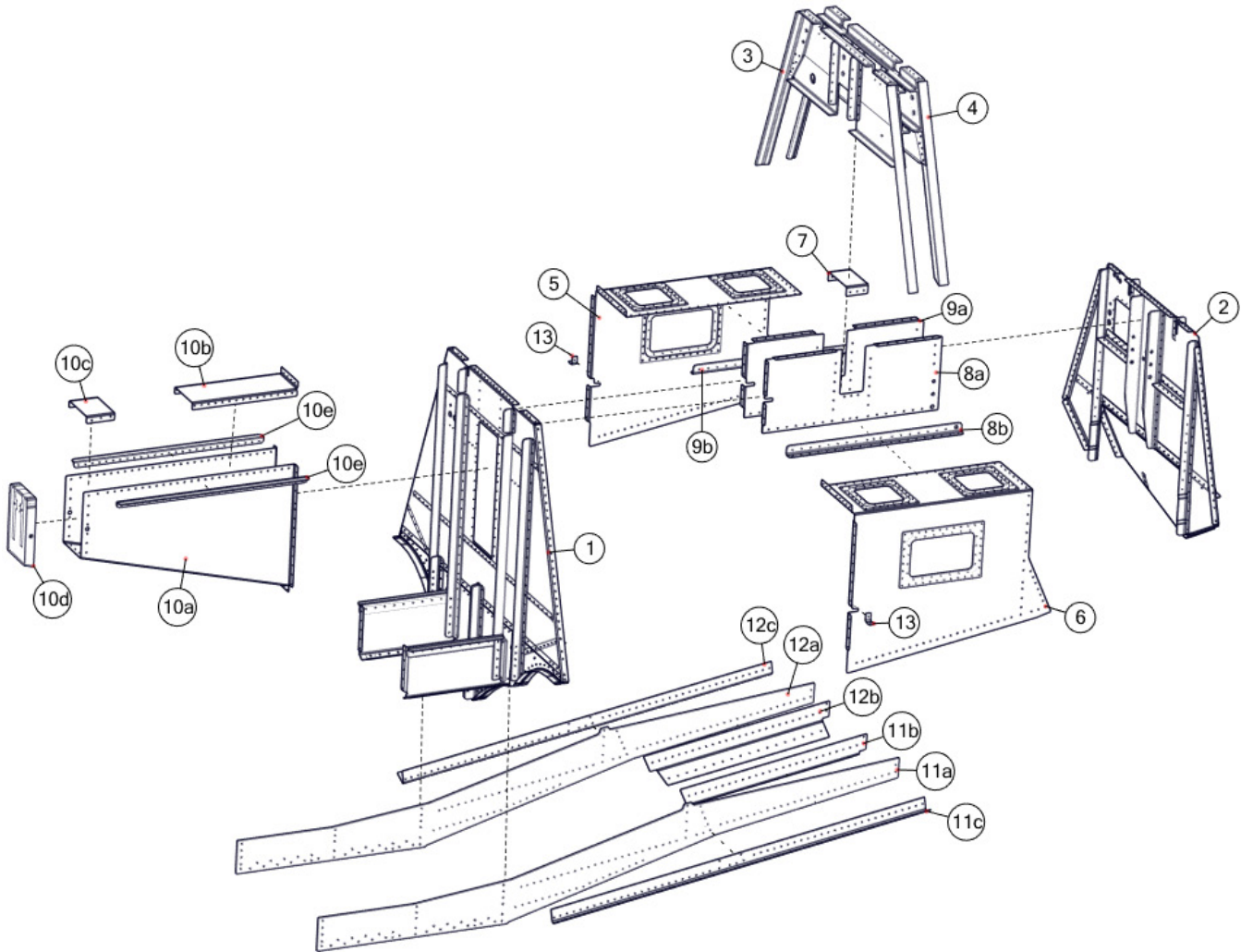
ACCESS COVERS, WHEEL WELL ASSEMBLY, RIGHT FLOAT



ACCESS COVERS, WHEEL WELL ASSEMBLY, RIGHT FLOAT

ITEM	QTY	PART NO.	PART DESCRIPTION
1	2	6A01158-151	COVER, INSPECTION, WHEEL WELL, LARGE
2	5	6A01158-152	COVER, INSPECTION, WHEEL WELL, SMALL
3	1	6A01005-054	COVER, TUNNEL
4	124	AN526-632R4	SCREW

1007515 ASSEMBLY, WHEEL WELL, LEFT FLOAT



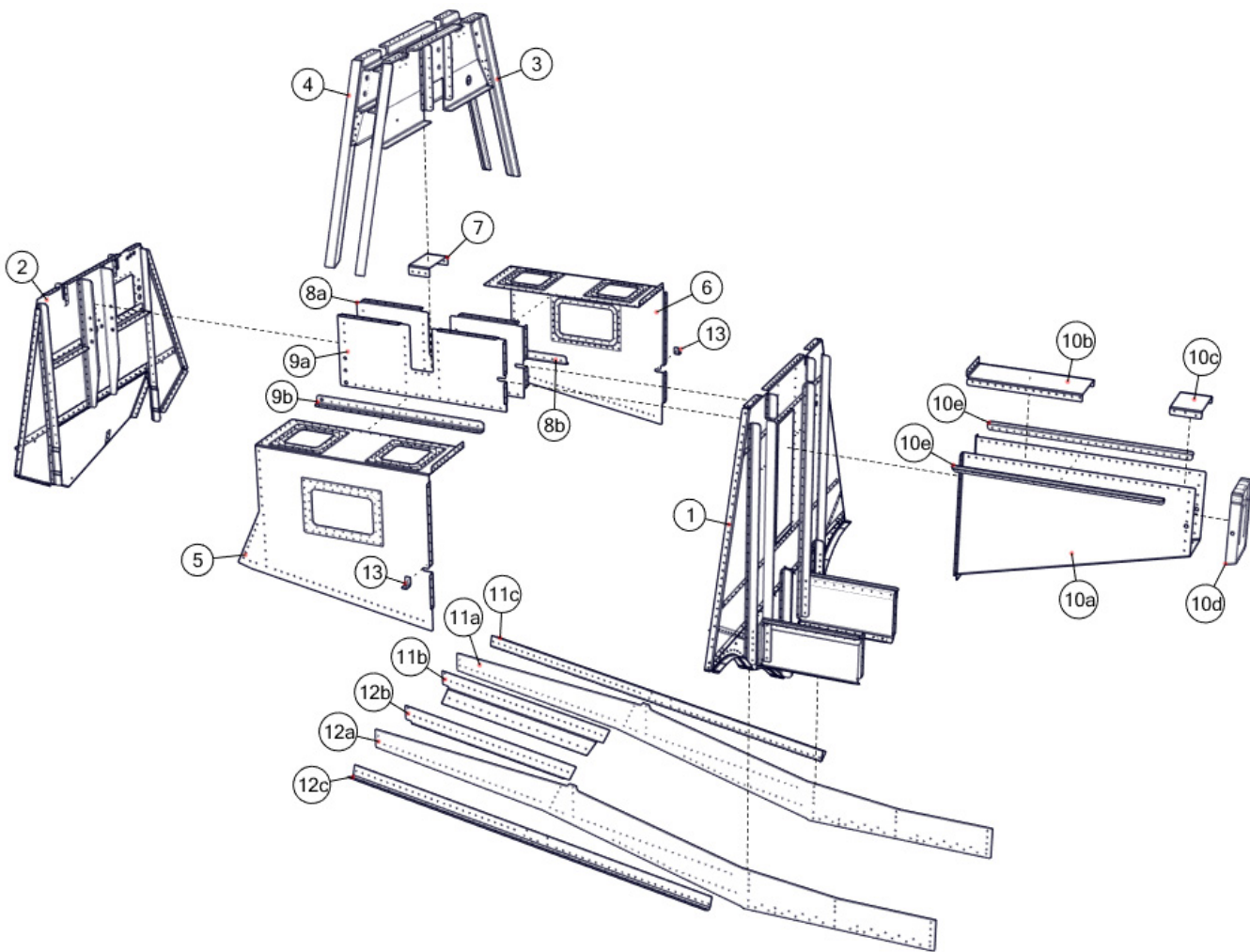
PARTS MANUAL FOR RIVETED
WIPLINE MODEL 6100 AMPHIBIAN FLOATS SERIAL NUMBERS 61500 AND UP

1007515 ASSEMBLY, WHEEL WELL, LEFT FLOAT

ITEM	QTY	PART NO.	PART DESCRIPTION
1	1	1007517	ASSEMBLY, BULKHEAD 14
2	1	1007519	ASSEMBLY, BULKHEAD 15, LEFT FLOAT
3	1	1007561	ASSEMBLY, PANEL, FRONT, AFT SPREADER BAR, LEFT FLOAT
4	1	1007563	ASSEMBLY, PANEL, REAR, AFT SPREADER BAR, LEFT FLOAT
5	1	1007564	ASSEMBLY, PANEL, MAIN, RIGHT, WHEEL WELL
6	1	1007565	ASSEMBLY, PANEL, MAIN, LEFT, WHEEL WELL
7	1	1007629	COVER, WHEEL WELL, SPREADER BAR
8*	1	1007637	ASSEMBLY, PANEL, UPPER, LEFT, WHEEL WELL
8a	1	1007627	PANEL, UPPER, LEFT, WHEEL WELL
8b	1	1007685	ANGLE, WHEEL WELL SUPPORT, LEFT
9*	1	1007638	ASSEMBLY, PANEL, UPPER, RIGHT, WHEEL WELL
9a	1	1007628	PANEL, UPPER, RIGHT, WHEEL WELL
9b	1	1007686	ANGLE, WHEEL WELL SUPPORT, RIGHT
10*	1	1007765	ASSEMBLY, TUNNEL
10a	1	1007761	PANEL, TUNNEL, MAIN
10b	1	1007762	PANEL, TUNNEL, TOP, AFT
10c	1	1007763	PANEL, TUNNEL, TOP, FORWARD
10d	1	1007764	FITTING, FORWARD, SLIDE, TUBE
10e	2	6A01340-015	ANGLE, TUNNEL
11*	1	1007790	ASSEMBLY, CARRY THROUGH STRAP, LEFT
11a	1	1007630	CARRY THROUGH STRAP
11b	1	1007820	ANGLE, CARRY THROUGH STRAP, LEFT, INNER
11c	1	1007821	ANGLE, CARRY THROUGH STRAP, LEFT, OUTER
12*	1	1007791	ASSEMBLY, CARRY THROUGH STRAP, RIGHT
12a	1	1007630	CARRY THROUGH STRAP
12b	1	1007819	ANGLE, CARRY THROUGH STRAP, RIGHT, INNER
12c	1	1007822	ANGLE, CARRY THROUGH STRAP, RIGHT, OUTER
13	2	1007877	ANGLE, STEWART, WHEEL WELL

*See [Nomenclature System](#) section when ordering assemblies

1007514 ASSEMBLY, WHEEL WELL, RIGHT FLOAT



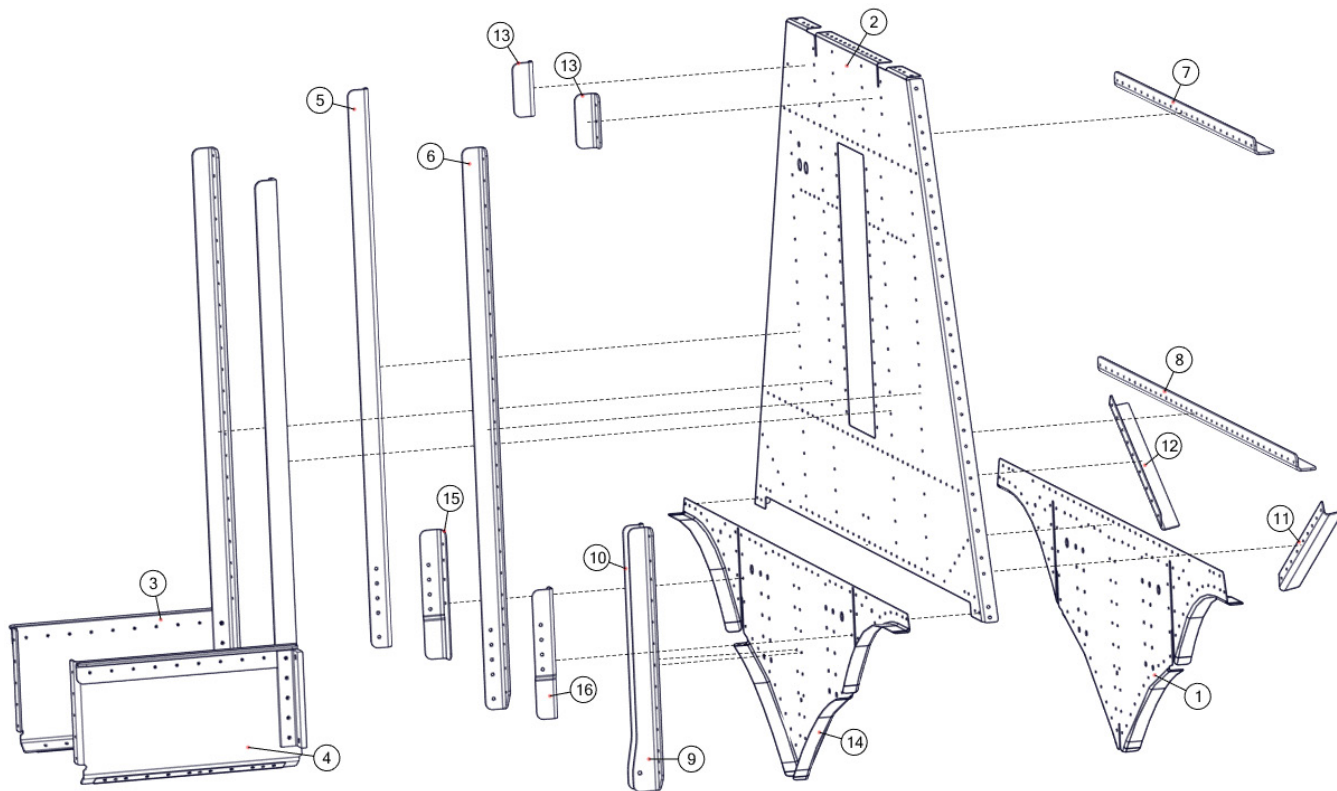
PARTS MANUAL FOR RIVETED
WIPLINE MODEL 6100 AMPHIBIAN FLOATS SERIAL NUMBERS 61500 AND UP

1007514 ASSEMBLY, WHEEL WELL, RIGHT FLOAT

ITEM	QTY	PART NO.	PART DESCRIPTION
1	1	1007517	ASSEMBLY, BULKHEAD 14
2	1	1007518	ASSEMBLY, BULKHEAD 15, RIGHT FLOAT
3	1	1007560	ASSEMBLY, PANEL, FRONT, AFT SPREADER BAR, RIGHT FLOAT
4	1	1007562	ASSEMBLY, PANEL, REAR, AFT SPREADER BAR, RIGHT FLOAT
5	1	1007564	ASSEMBLY, PANEL, MAIN, RIGHT, WHEEL WELL
6	1	1007565	ASSEMBLY, PANEL, MAIN, LEFT, WHEEL WELL
7	1	1007629	COVER, WHEEL WELL, SPREADER BAR
8*	1	1007637	ASSEMBLY, PANEL, UPPER, LEFT, WHEEL WELL
8a	1	1007627	PANEL, UPPER, LEFT, WHEEL WELL
8b	1	1007685	ANGLE, WHEEL WELL SUPPORT, LEFT
9*	1	1007638	ASSEMBLY, PANEL, UPPER, RIGHT, WHEEL WELL
9a	1	1007628	PANEL, UPPER, RIGHT, WHEEL WELL
9b	1	1007686	ANGLE, WHEEL WELL SUPPORT, RIGHT
10*	1	1007765	ASSEMBLY, TUNNEL
10a	1	1007761	PANEL, TUNNEL, MAIN
10b	1	1007762	PANEL, TUNNEL, TOP, AFT
10c	1	1007763	PANEL, TUNNEL, TOP, FORWARD
10d	1	1007764	FITTING, FORWARD, SLIDE, TUBE
10e	2	6A01340-015	ANGLE, TUNNEL
11*	1	1007790	ASSEMBLY, CARRY THROUGH STRAP, LEFT
11a	1	1007630	CARRY THROUGH STRAP
11b	1	1007820	ANGLE, CARRY THROUGH STRAP, LEFT, INNER
11c	1	1007821	ANGLE, CARRY THROUGH STRAP, LEFT, OUTER
12*	1	1007791	ASSEMBLY, CARRY THROUGH STRAP, RIGHT
12a	1	1007630	CARRY THROUGH STRAP
12b	1	1007819	ANGLE, CARRY THROUGH STRAP, RIGHT, INNER
12c	1	1007822	ANGLE, CARRY THROUGH STRAP, RIGHT, OUTER
13	2	1007877	ANGLE, STEWART, WHEEL WELL

*See [Nomenclature System](#) section when ordering assemblies

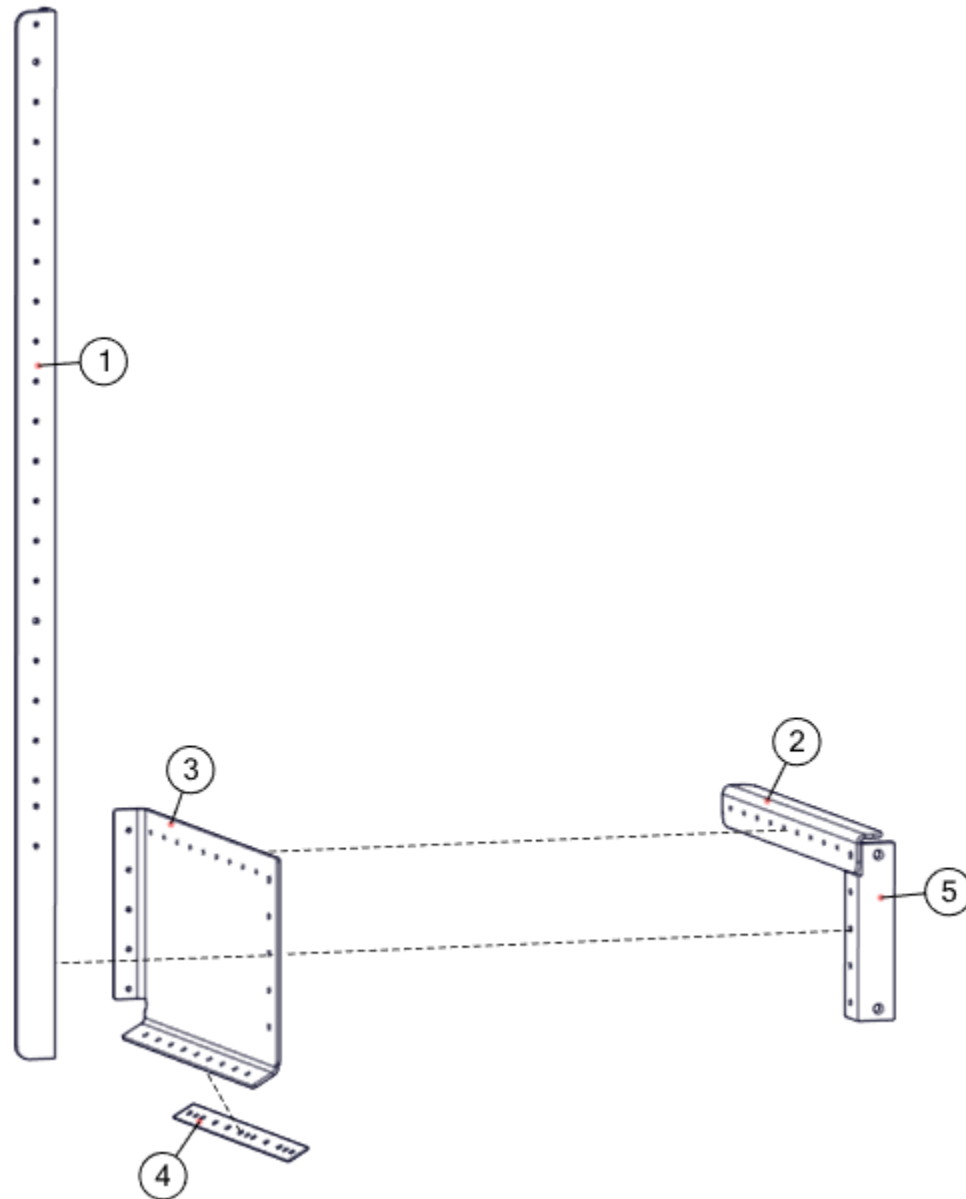
1007517 ASSEMBLY, BULKHEAD 14



1007517 ASSEMBLY, BULKHEAD 14

ITEM	QTY	PART NO.	PART DESCRIPTION
1	1	1007605	PANEL, BOTTOM, AFT, BULKHEAD
2	1	1007606	PANEL, BULKHEAD
3	1	1007663	ASSEMBLY, PANEL, SUPPORT, DRAG BRACE, RIGHT
4	1	1007664	ASSEMBLY, PANEL, SUPPORT, DRAG BRACE, LEFT
5	1	1007671	ANGLE, ATTACH, SISTER KEEL, RIGHT, OUTBOARD, BULKHEAD
6	1	1007672	ANGLE, ATTACH, SISTER KEEL, LEFT, OUTBOARD, BULKHEAD
7	1	1007673	STIFFENER, HORIZONTAL, TOP, BULKHEAD
8	1	1007674	STIFFENER, HORIZONTAL, BOTTOM, BULKHEAD
9	1	1007675	ANGLE, ATTACH, MAIN KEEL, BULKHEAD
10	1	1007676	ANGLE, ATTACH, MAIN KEEL, BULKHEAD
11	1	1007677	ANGLE, ATTACH, BOTTOM SKIN, LEFT, BULKHEAD
12	1	1007678	ANGLE, ATTACH, BOTTOM SKIN, RIGHT, BULKHEAD
13	2	1007679	ANGLE, ATTACH, COMMON, BULKHEAD
14	1	1007717	PANEL, BOTTOM, FORWARD, BULKHEAD
15	1	1007783	ANGLE, ATTACH, SISTER KEEL, RIGHT, INNER, BULKHEAD
16	1	1007784	ANGLE, ATTACH, SISTER KEEL, LEFT, INNER, BULKHEAD

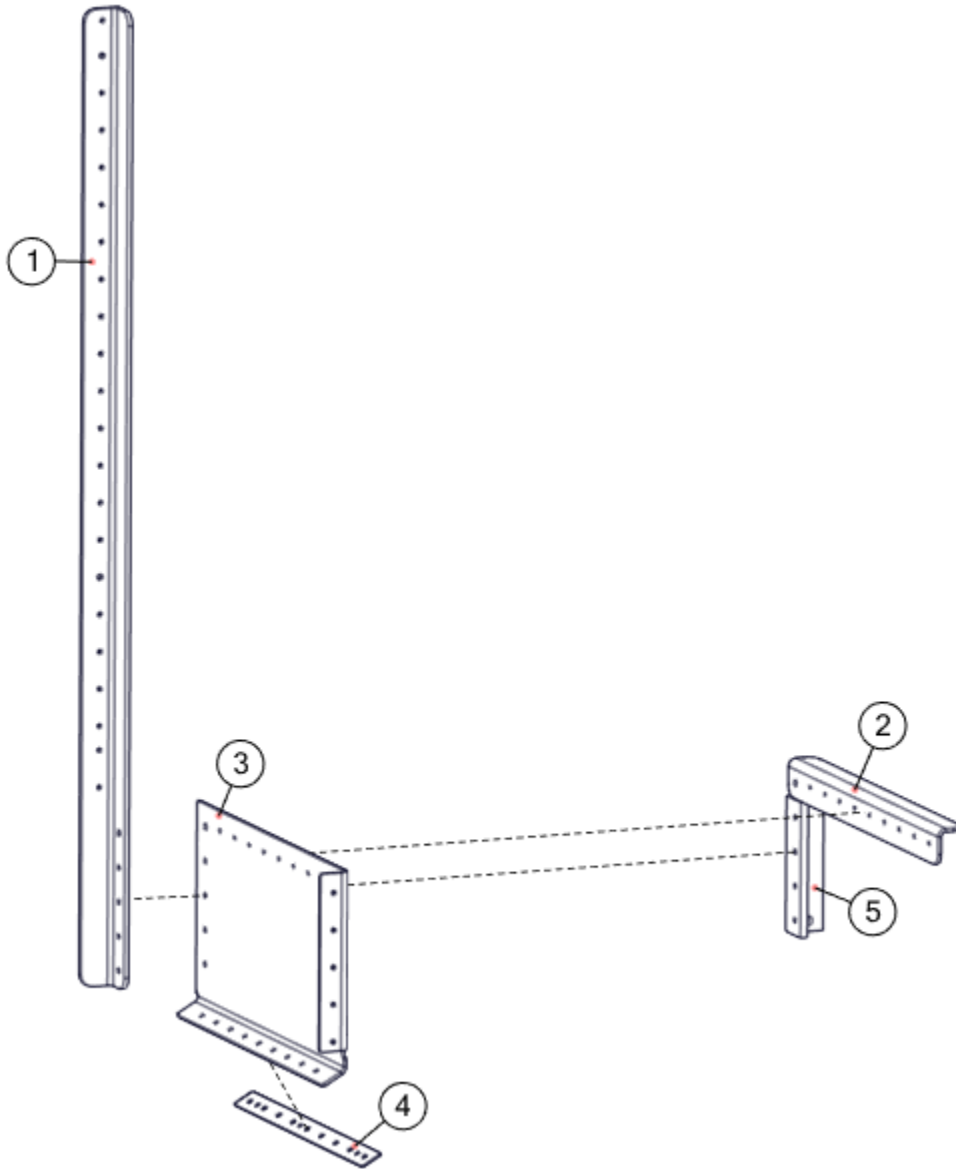
1007663 ASSEMBLY, PANEL, SUPPORT, DRAG BRACE, RIGHT



1007663 ASSEMBLY, PANEL, SUPPORT, DRAG BRACE, RIGHT

ITEM	QTY	PART NO.	PART DESCRIPTION
1	1	1007665	ANGLE, ATTACH, DRAG BRACE PANEL
2	1	1007666	STIFFENER, PANEL, SUPPORT, DRAG BRACE, RIGHT
3	1	1007670	PANEL, SUPPORT, DRAG BRACE, RIGHT
4	1	1007794	SPACER, CARRY THROUGH, BOTTOM SKIN
5	1	6A01183-001	ANGLE, ATTACH, DRAG BRACE PANEL

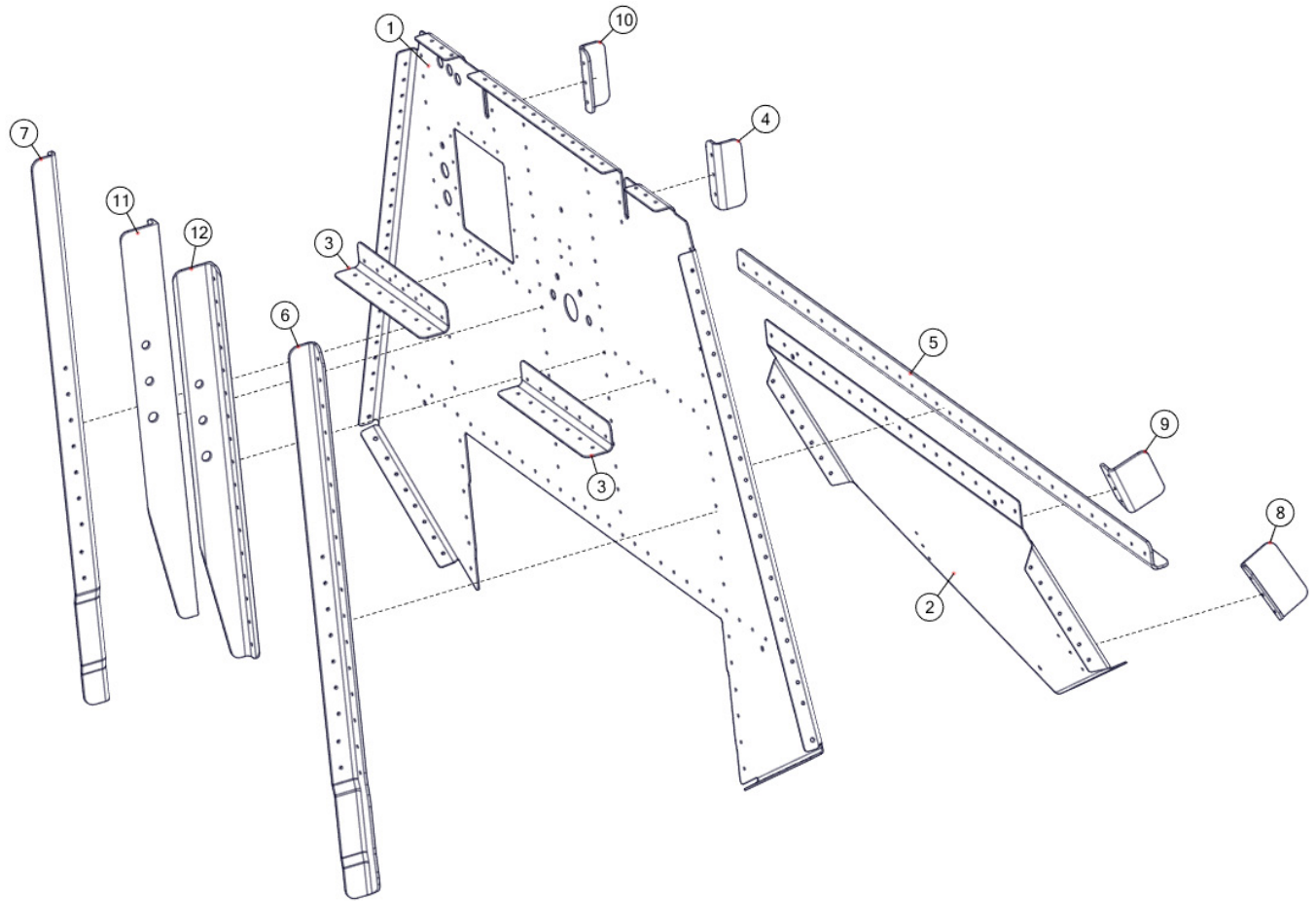
1007664 ASSEMBLY, PANEL, SUPPORT, DRAG BRACE, LEFT



1007664 ASSEMBLY, PANEL, SUPPORT, DRAG BRACE, LEFT

ITEM	QTY	PART NO.	PART DESCRIPTION
1	1	1007667	ANGLE, ATTACH, DRAG BRACE PANEL, LEFT, BULKHEAD
2	1	1007668	STIFFENER, PANEL, SUPPORT, DRAG BRACKET, LEFT
3	1	1007669	PANEL, SUPPORT, DRAG BRACE, LEFT
4	1	1007794	SPACER, CARRY THROUGH, BOTTOM SKIN
5	1	6A01183-002	ANGLE, ATTACH, DRAG BRACE PANEL

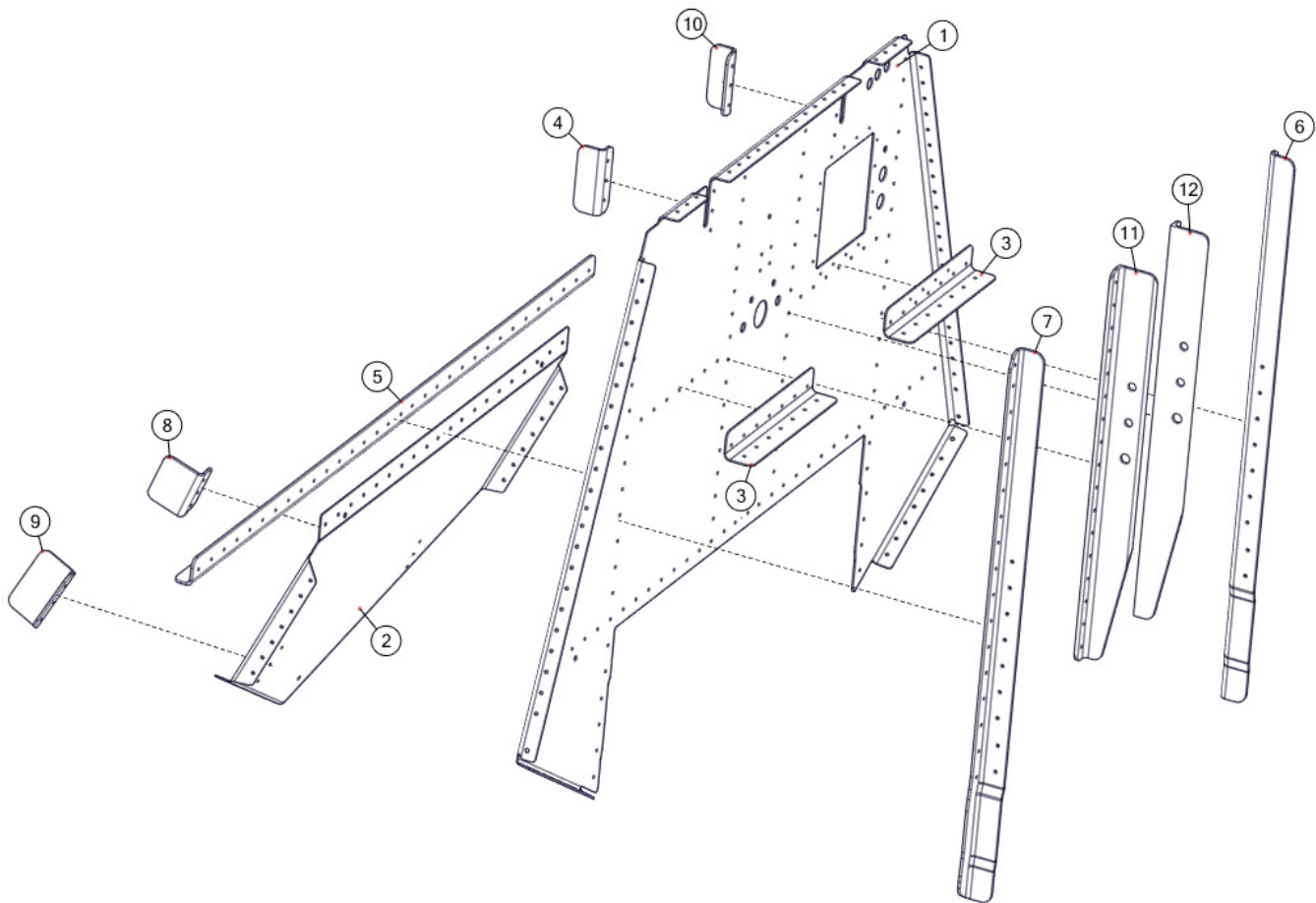
1007519 ASSEMBLY, BULKHEAD 15, LEFT FLOAT



1007519 ASSEMBLY, BULKHEAD 15, LEFT FLOAT

ITEM	QTY	PART NO.	PART DESCRIPTION
1	1	1007607	PANEL, BULKHEAD, LEFT FLOAT
2	1	1007609	PANEL, BOTTOM, BULKHEAD
3	2	1007632	ANGLE, ATTACH, WHEEL WELL, BULKHEAD
4	1	1007679	ANGLE, ATTACH, COMMON, BULKHEAD
5	1	1007680	STIFFENER, HORIZONTAL, BULKHEAD
6	1	1007681	ANGLE, ATTACH, CARRY THROUGH, LEFT, BULKHEAD
7	1	1007682	ANGLE, ATTACH, CARRY THROUGH, RIGHT, BULKHEAD
8	1	1007683	ANGLE, ATTACH, SISTER KEEL, LEFT, BULKHEAD
9	1	1007684	ANGLE, ATTACH, SISTER KEEL, RIGHT, BULKHEAD
10	1	1007866	ANGLE, ATTACH, TOP RAIL, BULKHEAD, LEFT FLOAT
11	1	6A01339-028	ANGLE, SLIDE TUBE, RIGHT
12	1	6A01339-029	ANGLE, SLIDE TUBE, LEFT

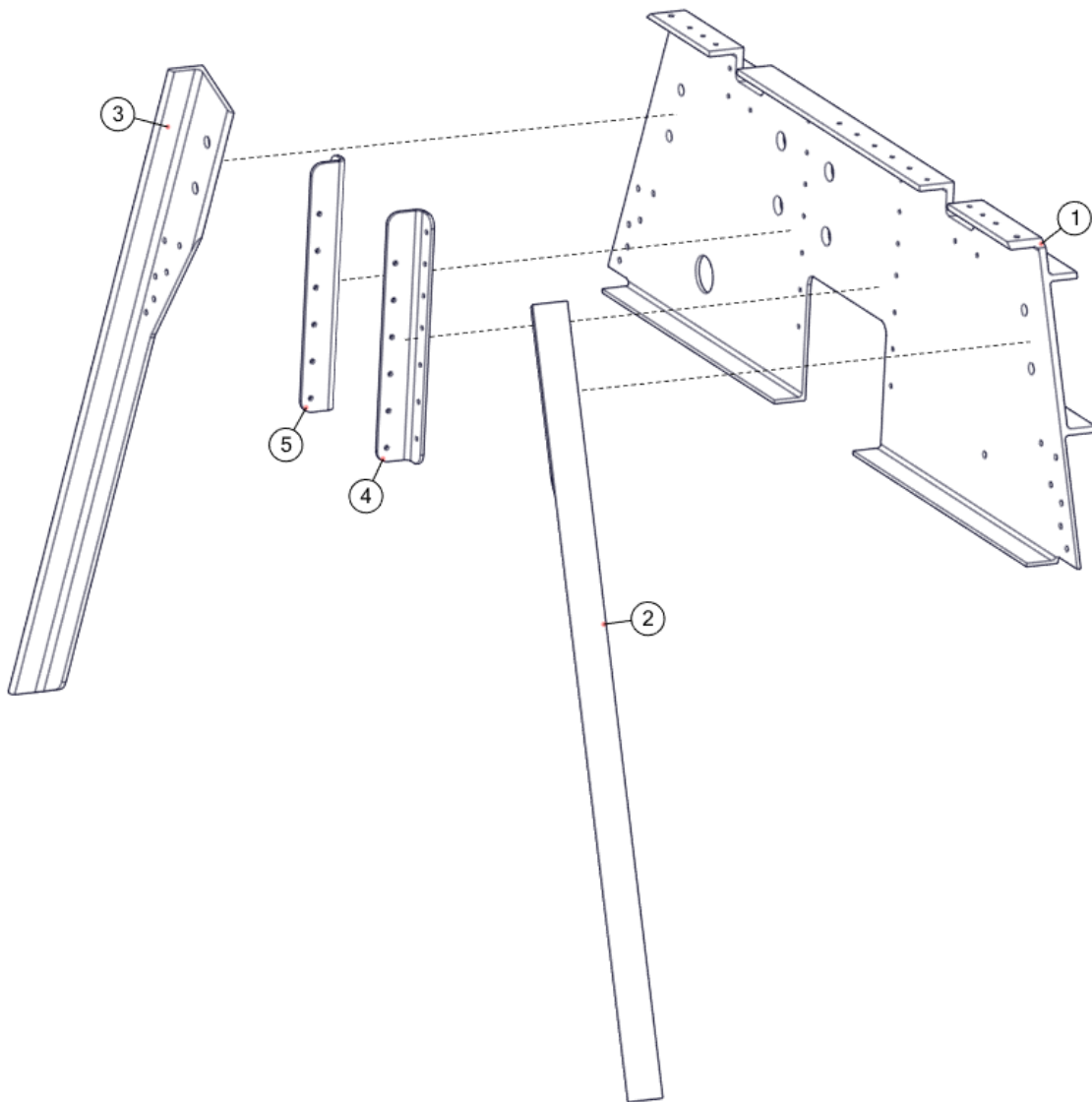
1007518 ASSEMBLY, BULKHEAD 15, RIGHT FLOAT



1007518 ASSEMBLY, BULKHEAD 15, RIGHT FLOAT

ITEM	QTY	PART NO.	PART DESCRIPTION
1	1	1007608	PANEL, BULKHEAD, RIGHT FLOAT
2	1	1007609	PANEL, BOTTOM, BULKHEAD
3	2	1007632	ANGLE, ATTACH, WHEEL WELL, BULKHEAD
4	1	1007679	ANGLE, ATTACH, COMMON, BULKHEAD
5	1	1007680	STIFFENER, HORIZONTAL, BULKHEAD
6	1	1007681	ANGLE, ATTACH, CARRY THROUGH, LEFT, BULKHEAD
7	1	1007682	ANGLE, ATTACH, CARRY THROUGH, RIGHT, BULKHEAD
8	1	1007683	ANGLE, ATTACH, SISTER KEEL, LEFT, BULKHEAD
9	1	1007684	ANGLE, ATTACH, SISTER KEEL, RIGHT, BULKHEAD
10	1	1007867	ANGLE, ATTACH, TOP RAIL, BULKHEAD, RIGHT FLOAT
11	1	6A01339-028	ANGLE, SLIDE TUBE, RIGHT
12	1	6A01339-029	ANGLE, SLIDE TUBE, LEFT

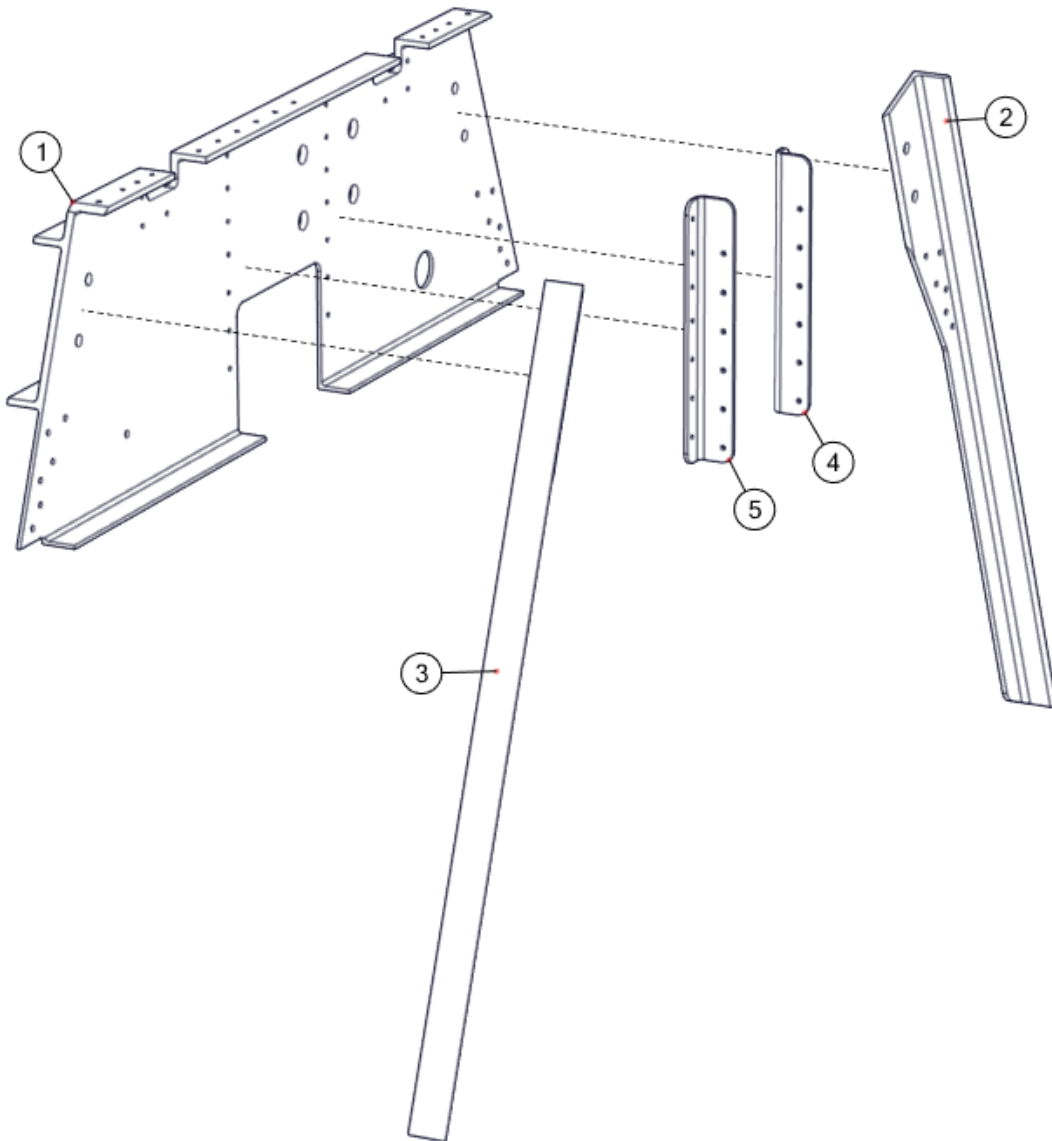
1007561 ASSEMBLY, PANEL, FRONT, AFT SPREADER BAR, LEFT FLOAT



1007561 ASSEMBLY, PANEL, FRONT, AFT SPREADER BAR, LEFT FLOAT

ITEM	QTY	PART NO.	PART DESCRIPTION
1	1	1007621	PANEL, AFT SPREADER BAR, FRONT, LEFT FLOAT
2	1	1007635	ANGLE, ATTACH, SIDE SKIN, LEFT, AFT SPREADER BAR FRONT PANEL
3	1	1007636	ANGLE, ATTACH, SIDE SKIN, RIGHT, AFT SPREADER BAR FRONT PANEL
4	1	1007687	ANGLE, ATTACH, UPPER WHEEL WELL
5	1	1007688	ANGLE, ATTACH, UPPER WHEEL WELL

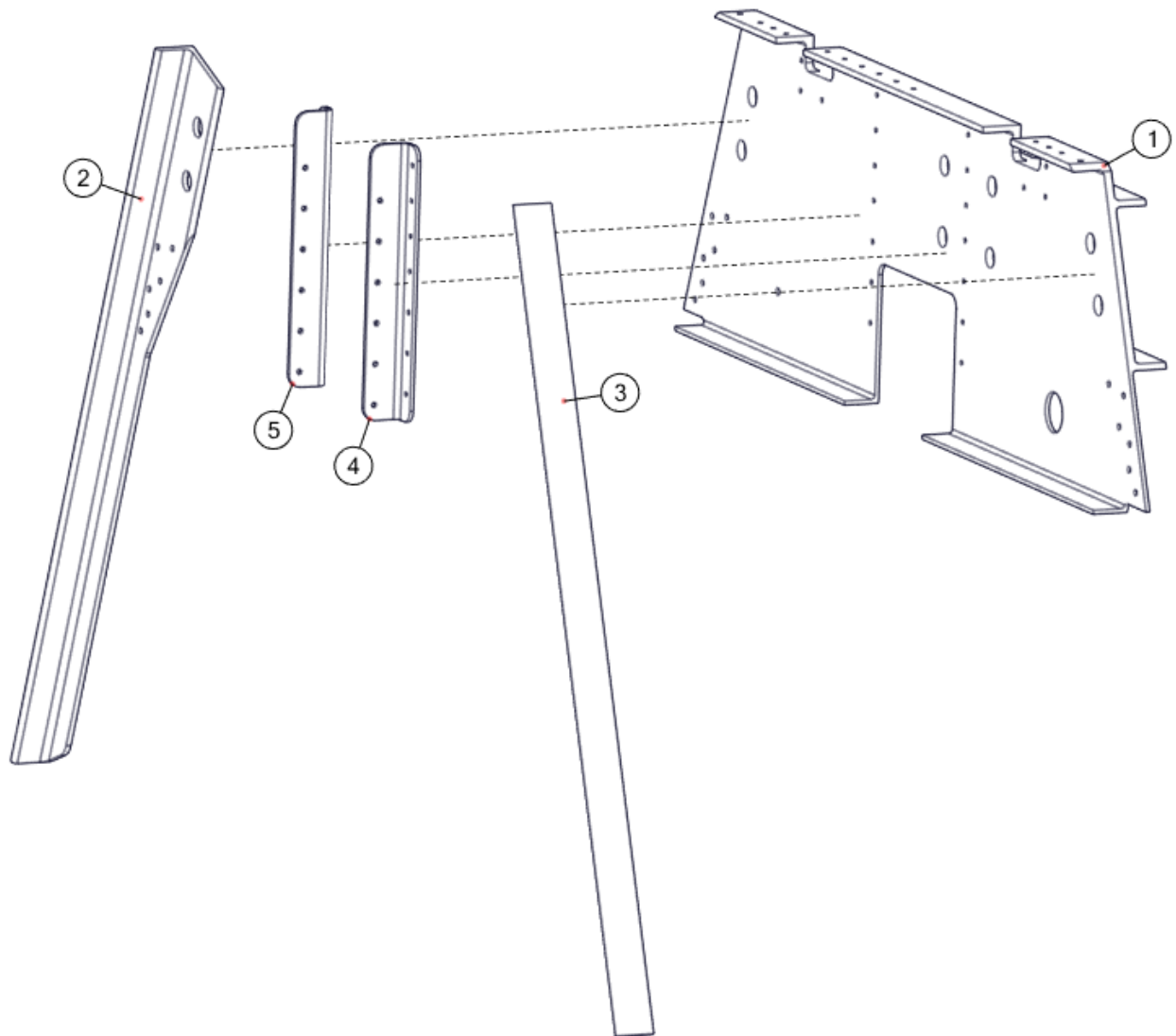
**1007560 ASSEMBLY, PANEL, FRONT,
AFT SPREADER BAR, RIGHT FLOAT**



1007560 ASSEMBLY, PANEL, FRONT, AFT SPREADER BAR, RIGHT FLOAT

ITEM	QTY	PART NO.	PART DESCRIPTION
1	1	1007622	PANEL, AFT SPREADER BAR, REAR, RIGHT FLOAT
2	1	1007635	ANGLE, ATTACH, SIDE SKIN, LEFT, AFT SPREADER BAR REAR PANEL
3	1	1007636	ANGLE, ATTACH, SIDE SKIN, RIGHT, AFT SPREADER BAR REAR PANEL
4	1	1007687	ANGLE, ATTACH, UPPER WHEEL WELL
5	1	1007688	ANGLE, ATTACH, UPPER WHEEL WELL

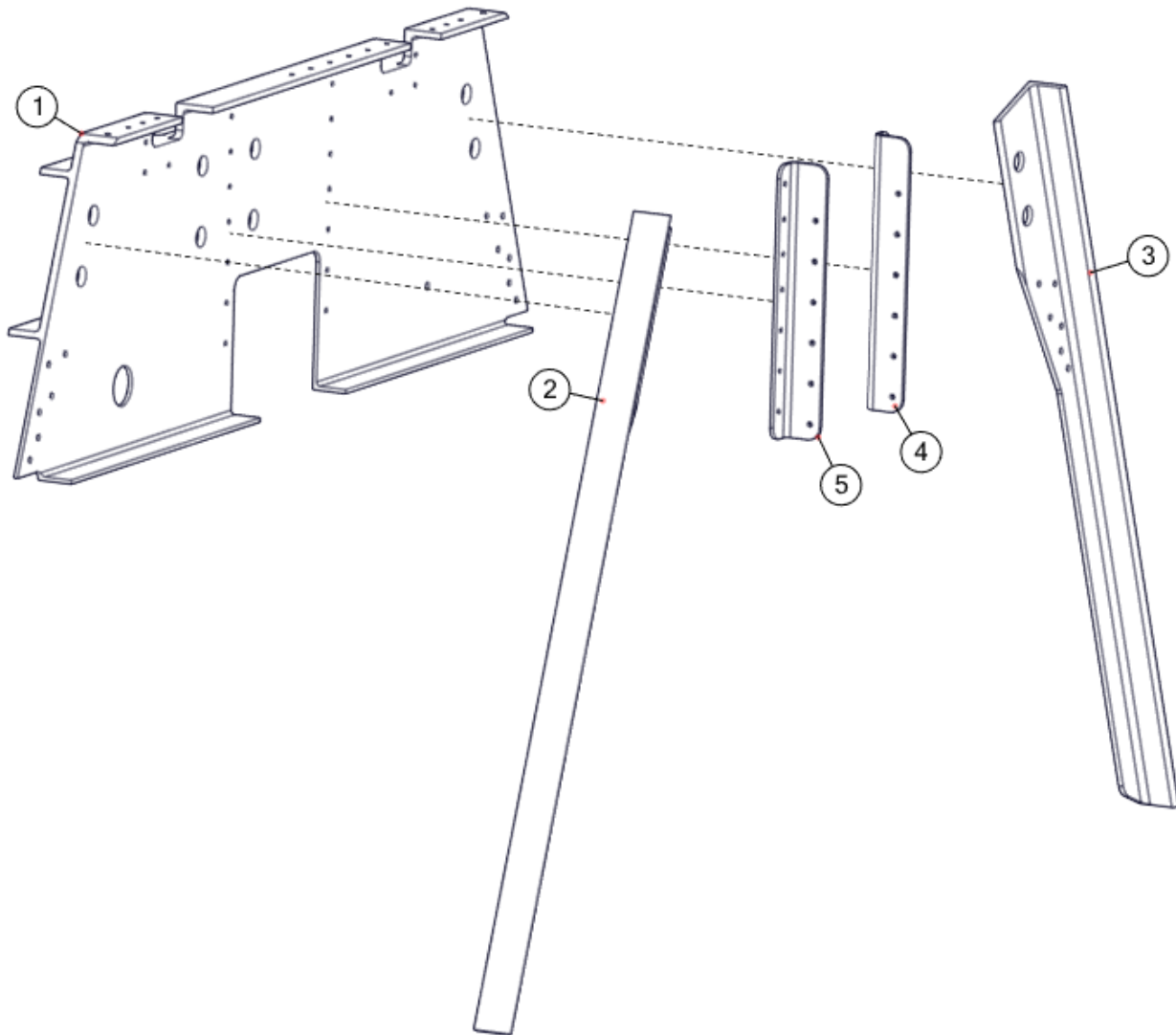
1007563 ASSEMBLY, PANEL, REAR, AFT SPREADER BAR, LEFT FLOAT



1007563 ASSEMBLY, PANEL, REAR, AFT SPREADER BAR, LEFT FLOAT

ITEM	QTY	PART NO.	PART DESCRIPTION
1	1	1007623	PANEL, AFT SPREADER BAR, REAR, LEFT FLOAT
2	1	1007633	ANGLE, ATTACH, SIDE SKIN, LEFT, AFT SPREADER BAR REAR PANEL
3	1	1007634	ANGLE, ATTACH, SIDE SKIN, RIGHT, AFT SPREADER BAR REAR PANEL
4	1	1007687	ANGLE, ATTACH, UPPER WHEEL WELL
5	1	1007688	ANGLE, ATTACH, UPPER WHEEL WELL

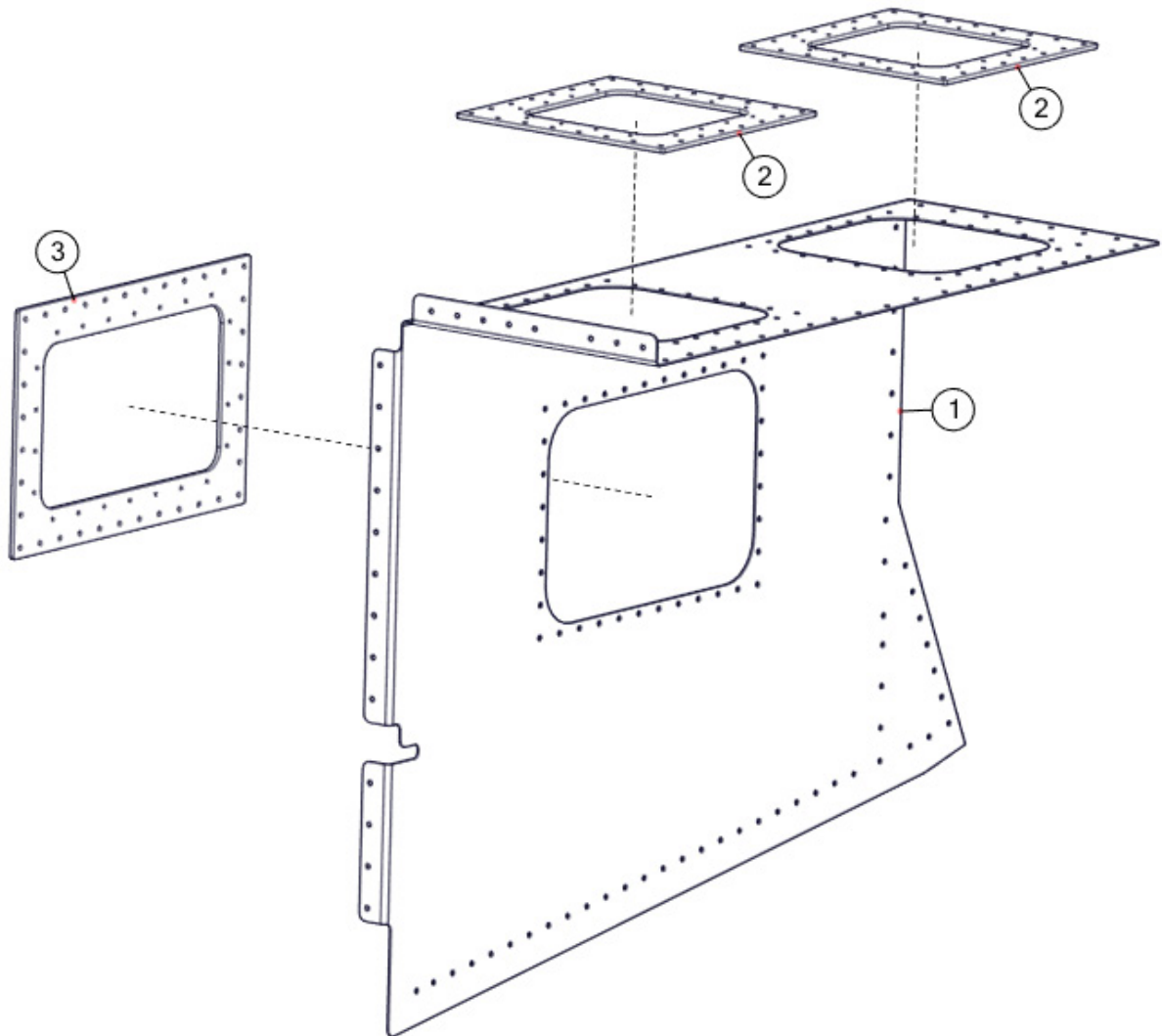
**1007562 ASSEMBLY, PANEL, REAR,
AFT SPREADER BAR, RIGHT FLOAT**



1007562 ASSEMBLY, PANEL, REAR, AFT SPREADER BAR, RIGHT FLOAT

ITEM	QTY	PART NO.	PART DESCRIPTION
1	1	1007624	PANEL, AFT SPREADER BAR, REAR, RIGHT FLOAT
2	1	1007633	ANGLE, ATTACH, SIDE SKIN, LEFT, AFT SPREADER BAR REAR PANEL
3	1	1007634	ANGLE, ATTACH, SIDE SKIN, RIGHT, AFT SPREADER BAR REAR PANEL
4	1	1007687	ANGLE, ATTACH, UPPER WHEEL WELL
5	1	1007688	ANGLE, ATTACH, UPPER WHEEL WELL

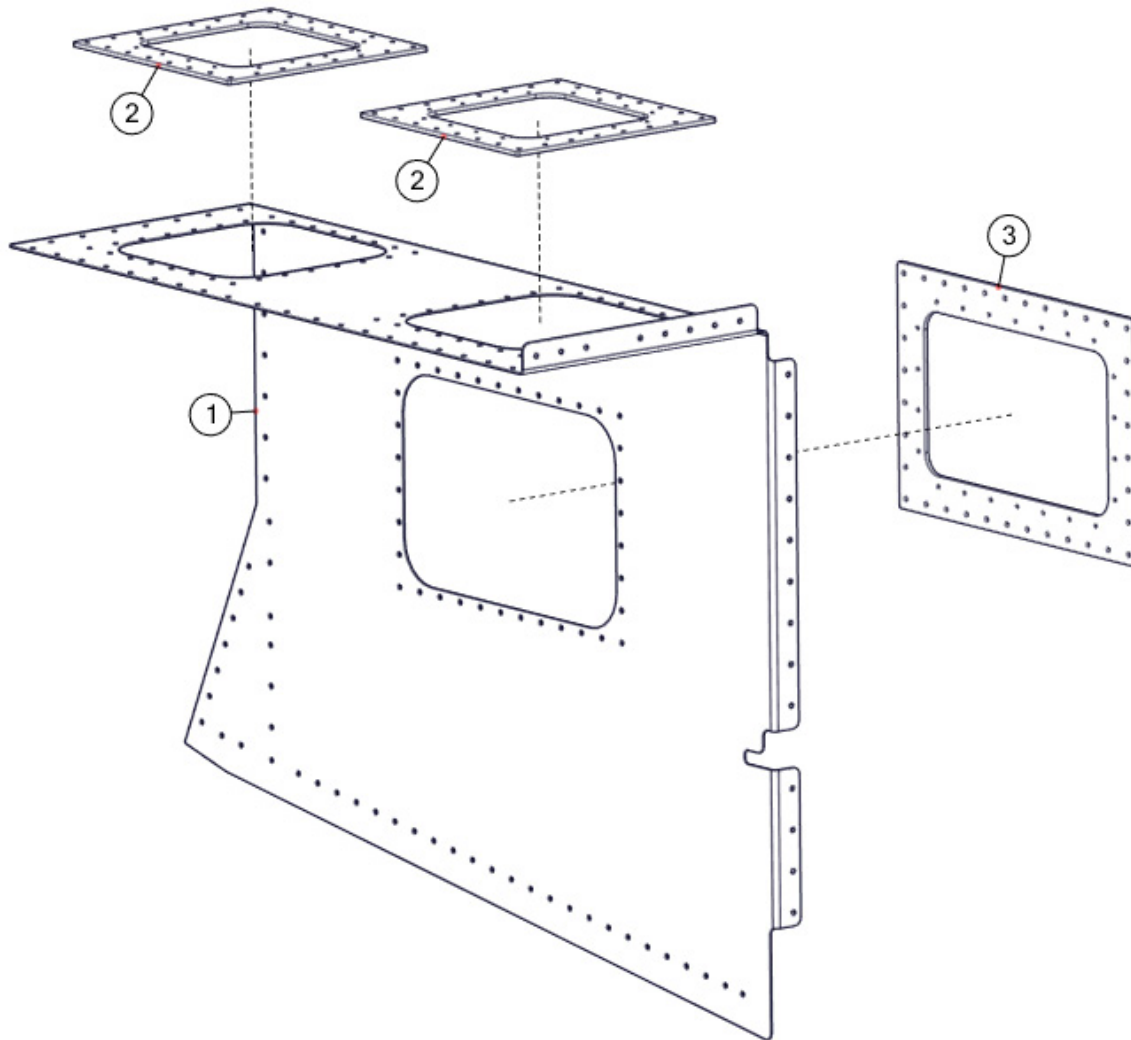
1007564 ASSEMBLY, PANEL, MAIN, RIGHT, WHEEL WELL



1007564 ASSEMBLY, PANEL, MAIN, RIGHT, WHEEL WELL

ITEM	QTY	PART NO.	PART DESCRIPTION
1	1	1007626	PANEL, MAIN, RIGHT, WHEEL WELL
2	1	6A01156-013	INSPECTION COVER REINFORCEMENT, WHEEL WELL, SMALL
3	1	6A01156-014	INSPECTION COVER REINFORCEMENT, WHEEL WELL, LARGE

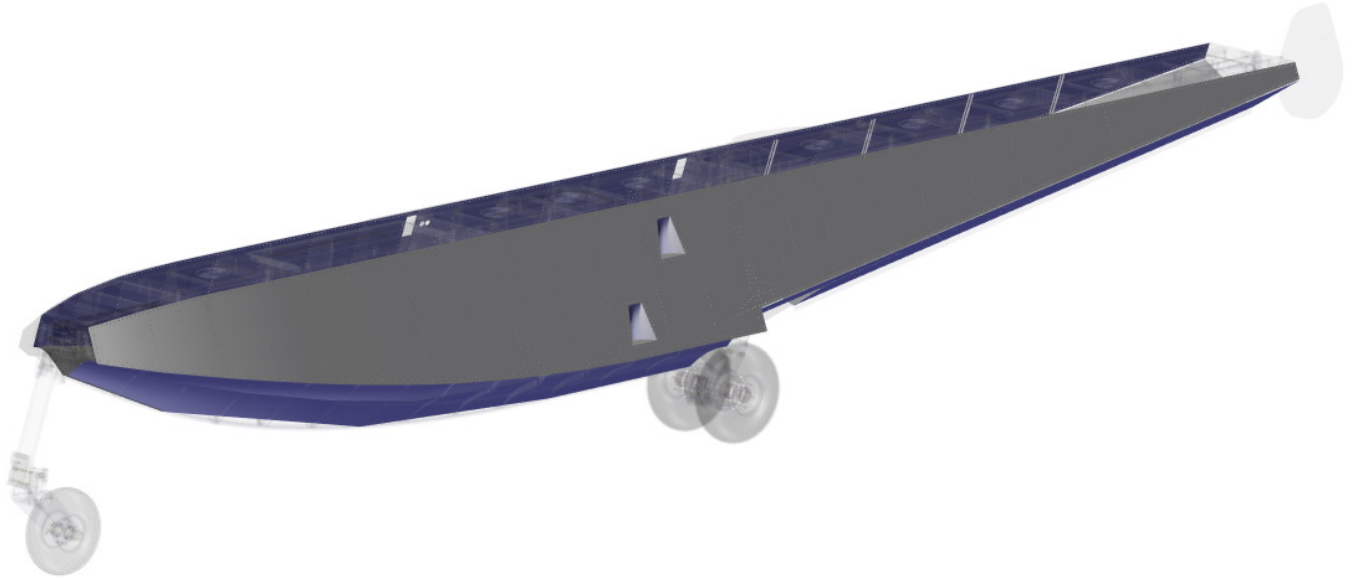
1007565 ASSEMBLY, PANEL, MAIN, LEFT, WHEEL WELL



1007565 ASSEMBLY, PANEL, MAIN, LEFT, WHEEL WELL

ITEM	QTY	PART NO.	PART DESCRIPTION
1	1	1007626	PANEL, MAIN, RIGHT, WHEEL WELL
2	1	6A01156-013	INSPECTION COVER REINFORCEMENT, WHEEL WELL, SMALL
3	1	6A01156-014	INSPECTION COVER REINFORCEMENT, WHEEL WELL, LARGE

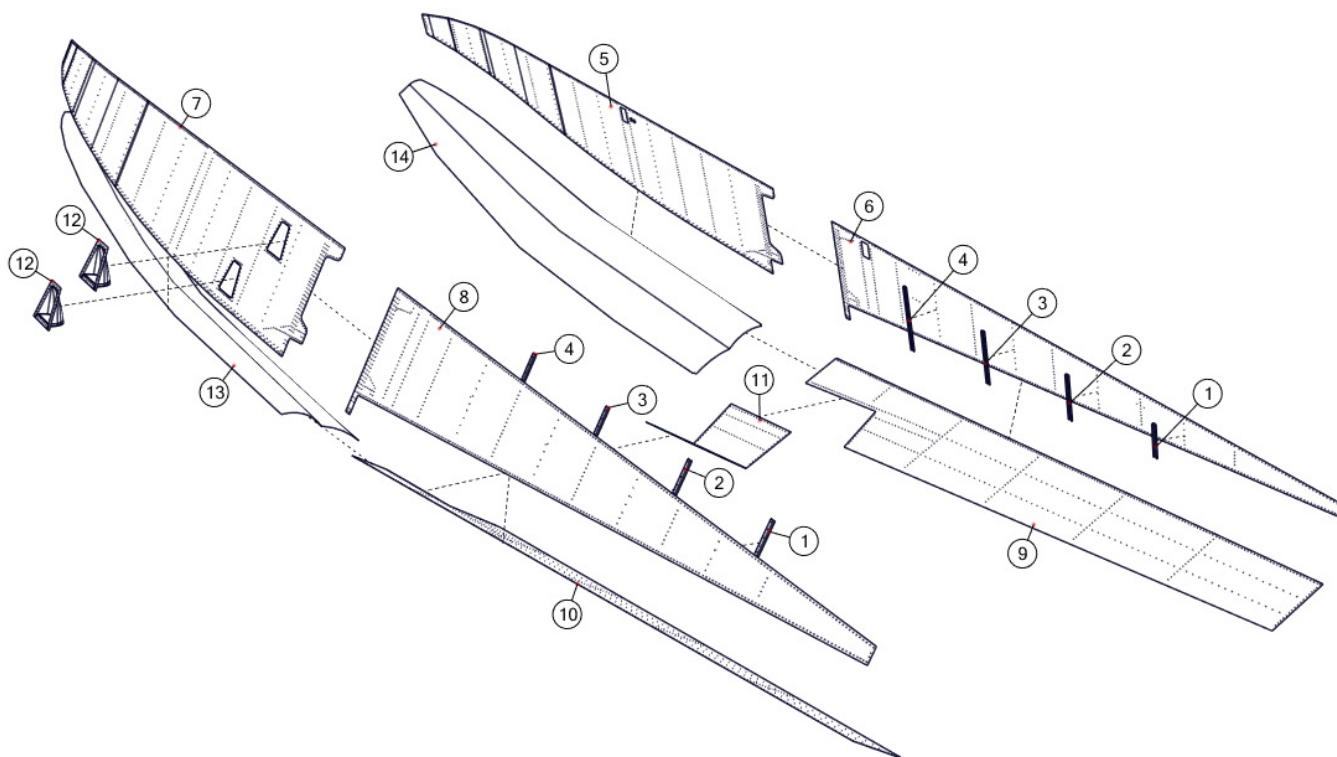
SECTION 4 SKIN ASSEMBLY



CONTENTS

SKIN ASSEMBLY, LEFT FLOAT.....	62
SKIN ASSEMBLY, RIGHT FLOAT	63

SKIN ASSEMBLY, LEFT FLOAT

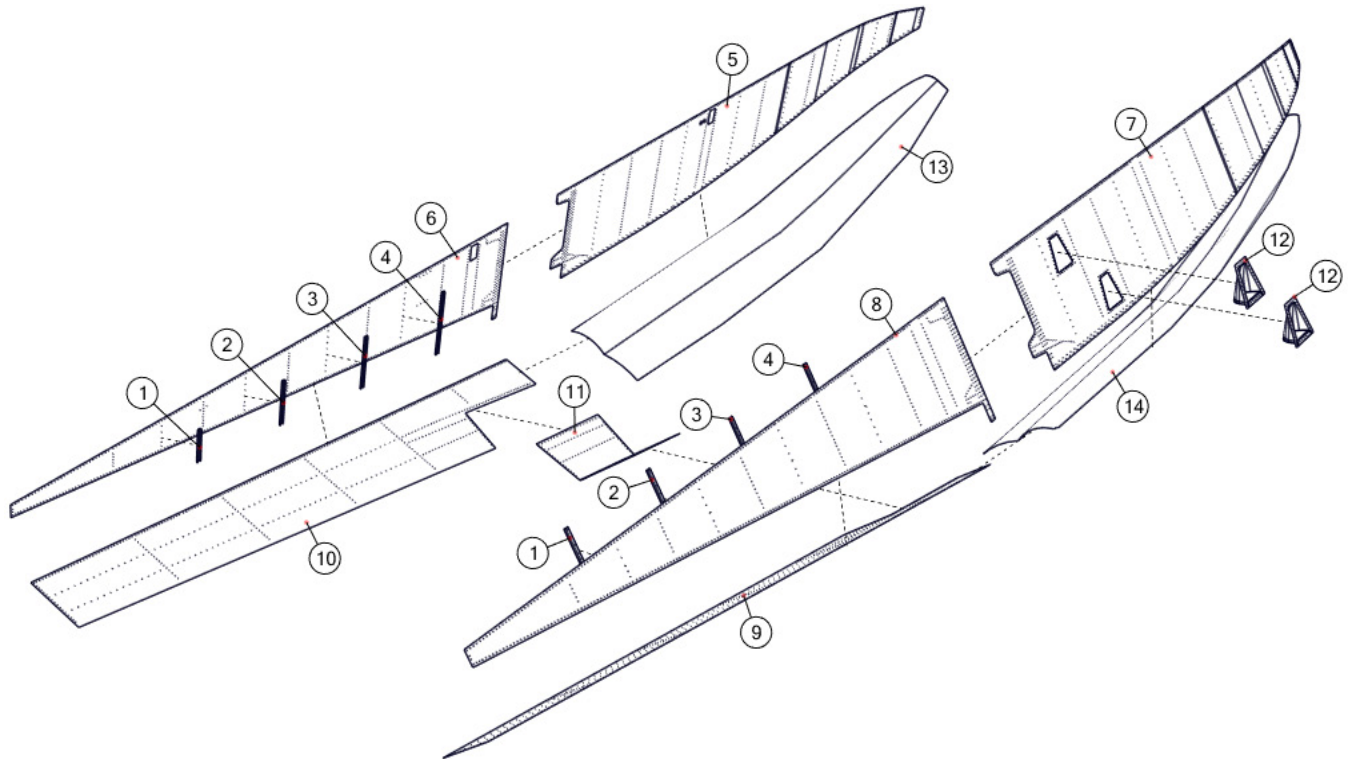


SKIN ASSEMBLY, LEFT FLOAT

ITEM	QTY	PART NO.	PART DESCRIPTION
1	2	1007532	STIFFENER, SIDE SKIN, AFT
2	2	1007533	STIFFENER, SIDE SKIN, AFT
3	2	1007534	STIFFENER, SIDE SKIN, AFT
4	2	1007535	STIFFENER, SIDE SKIN, AFT
5	1	1007539	SKIN, SIDE, FORWARD, INBOARD, LEFT FLOAT
6	1	1007541	SKIN, SIDE, AFT, INBOARD, LEFT FLOAT
7	1	1007543	SKIN, SIDE, FORWARD, OUTBOARD, LEFT FLOAT
8	1	1007545	SKIN, SIDE, AFT, OUTBOARD, LEFT FLOAT
9	1	1007660	SKIN, BOTTOM, AFT, RIGHT
10	1	1007661	SKIN, BOTTOM, AFT, LEFT
11	1	1007693	SKIN, BOTTOM, AFT, CENTER
12	2	3A01000-005	WELDMENT, STEP POCKET (SOLD AS ASSEMBLY ONLY)
13	1	6A01151-051	SKIN, BOTTOM, FORWARD, LEFT
14	1	6A01151-052	SKIN, BOTTOM, FORWARD, RIGHT

*See [Nomenclature System](#) section when ordering assemblies

SKIN ASSEMBLY, RIGHT FLOAT



SKIN ASSEMBLY, RIGHT FLOAT

ITEM	QTY	PART NO.	PART DESCRIPTION
1	2	1007532	STIFFENER, SIDE SKIN, AFT
2	2	1007533	STIFFENER, SIDE SKIN, AFT
3	2	1007534	STIFFENER, SIDE SKIN, AFT
4	2	1007535	STIFFENER, SIDE SKIN, AFT
5	1	1007538	SKIN, SIDE, FORWARD, INBOARD, RIGHT FLOAT
6	1	1007540	SKIN, SIDE, AFT, INBOARD, RIGHT FLOAT
7	1	1007542	SKIN, SIDE, FORWARD, OUTBOARD, RIGHT FLOAT
8	1	1007544	SKIN, SIDE, AFT, OUTBOARD, RIGHT FLOAT
9	1	1007660	SKIN, BOTTOM, AFT, RIGHT
10	1	1007661	SKIN, BOTTOM, AFT, LEFT
11	1	1007693	SKIN, BOTTOM, AFT, CENTER
12	2	3A01000-005	WELDMENT, STEP POCKET (SOLD AS ASSEMBLY ONLY)
13	1	6A01151-051	SKIN, BOTTOM, FORWARD, LEFT
14	1	6A01151-052	SKIN, BOTTOM, FORWARD, RIGHT

*See [Nomenclature System](#) section when ordering assemblies

THIS PAGE INTENTIONALLY LEFT BLANK

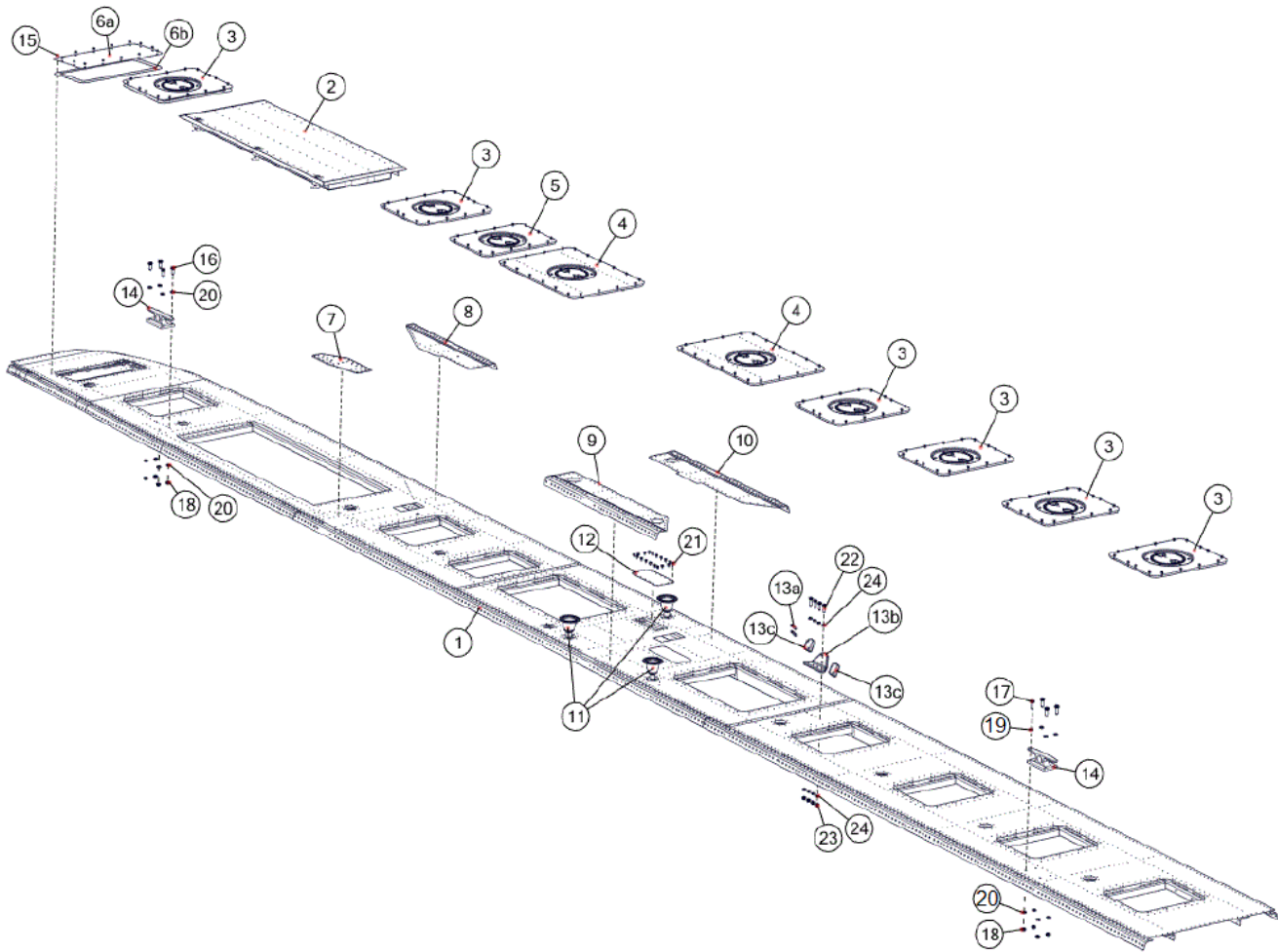
SECTION 5 TOP DECK



CONTENTS

TOP DECK ASSEMBLY, LEFT FLOAT	66
TOP DECK ASSEMBLY, RIGHT FLOAT	68
1007531 ASSEMBLY, TOP DECK, LEFT FLOAT	70
1007530 ASSEMBLY, TOP DECK, RIGHT FLOAT	72
1007780 ASSEMBLY, BAGGAGE DOOR	74
1007797 ASSEMBLY, COVER, ACCESS, TOP DECK, 10 BY 12.....	75
1007798 ASSEMBLY, COVER, ACCESS, TOP DECK, 17.5 BY 12.....	76
1007799 ASSEMBLY, COVER, ACCESS, TOP DECK, 9 BY 12.....	77

TOP DECK ASSEMBLY, LEFT FLOAT



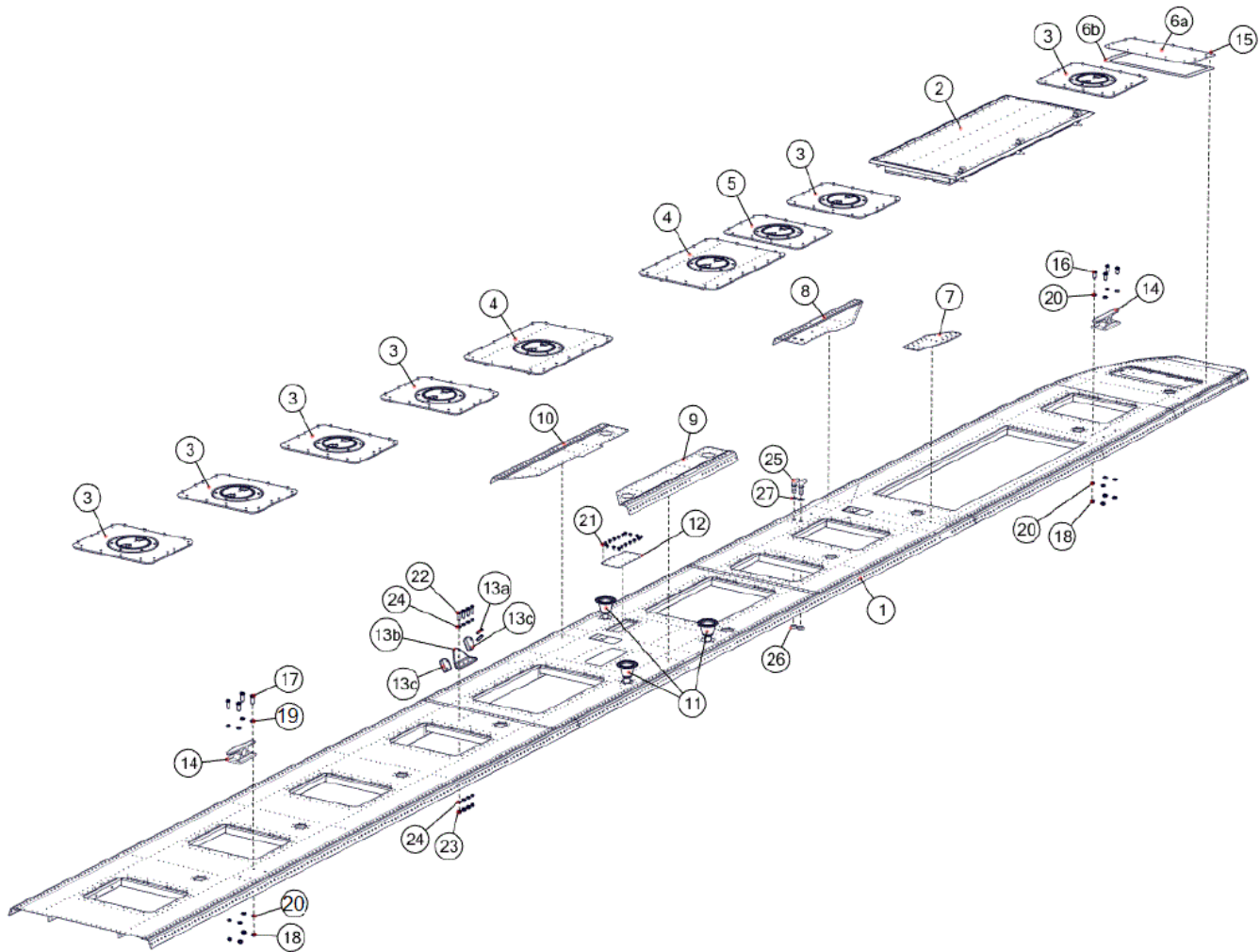
PARTS MANUAL FOR RIVETED
WIPLINE MODEL 6100 AMPHIBIAN FLOATS SERIAL NUMBERS 61500 AND UP

TOP DECK ASSEMBLY, LEFT FLOAT

ITEM	QTY	PART NO.	PART DESCRIPTION
1	1	1007531	ASSEMBLY, TOP DECK, LEFT FLOAT
2	1	1007780	ASSEMBLY, BAGGAGE DOOR
3	6	1007797	ASSEMBLY, COVER, ACCESS, TOP DECK, 10 BY 12
4	2	1007798	ASSEMBLY, COVER, ACCESS, TOP DECK, 7.5 BY 12
5	1	1007799	ASSEMBLY, COVER, ACCESS, TOP DECK, 9 BY 12
6*	1	1007815	ASSEMBLY, COVER, ACCESS, TOP DECK, 7.5 BY 13.75
6a	1	1007813	PANEL, COVER, ACCESS, 7.5 BY 13.75
6b	1	1007814	SEAL, COVER, ACCESS, 7.5 BY 13.75
7	1	1007827	DOUBLER, FORWARD, OUTBOARD, TOP DECK, LEFT FLOAT
8	1	1007829	DOUBLER, FORWARD, INBOARD, TOP DECK, LEFT FLOAT
9	1	100783	DOUBLER, AFT, OUTBOARD, TOP DECK, LEFT FLOAT
10	1	1007833	DOUBLER, AFT, INBOARD, TOP DECK, LEFT FLOAT
11	3	1011004	ASSEMBLY, CUP, PUMPOUT, DUCKBILL
	3	4A01749-001	CUP, PUMP OUT
	3	1011808	RETAINER, VALVE, DUCKBILL, PUMPOUT PLUG
12	1	6A01008-058	INSPECTION COVER, TOP SKIN
13*	1	6A02000-125	ASSEMBLY, FITTING, STEP STRUT, LOWER, LEFT
13a	2	1001922	ROLL PIN
13b	1	6A02231-001	FITTING, STEP STRUT, LOWER
13c	2	6A02607-001	SPACER, BRACKET, STEP STRUT
14	2	6A01213-003	CLEAT, TIE DOWN
15	164	MS24693-S50	SCREW, ACCESS COVER
16	4	AN4-7A	BOLT
17	4	AN4-7A	BOLT
18	8	MS21083N4	NUT
19	4	NAS1149D0416J	WASHER
20	12	NAS1149D0463	WASHER
21	20	AN526-632R4	SCREW
22	4	AN3-7A	BOLT
23	4	MS21044N3	NUT
24	8	NAS1149D0363J	WASHER

*See [Nomenclature System](#) section when ordering assemblies

TOP DECK ASSEMBLY, RIGHT FLOAT



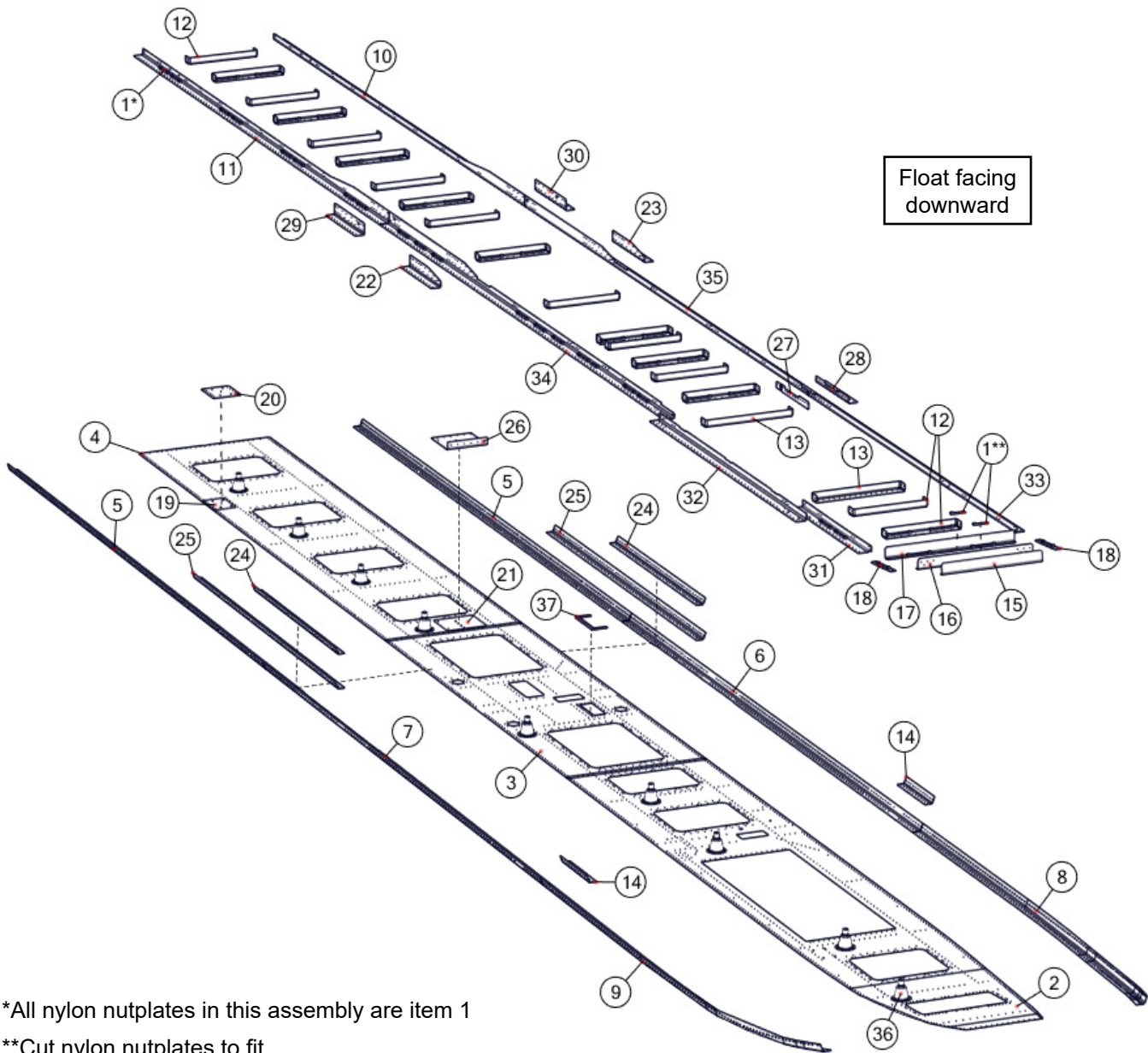
PARTS MANUAL FOR RIVETED
WIPLINE MODEL 6100 AMPHIBIAN FLOATS SERIAL NUMBERS 61500 AND UP

TOP DECK ASSEMBLY, RIGHT FLOAT

ITEM	QTY	PART NO.	PART DESCRIPTION
1	1	1007530	ASSEMBLY, TOP DECK, RIGHT FLOAT
2	1	1007780	ASSEMBLY, BAGGAGE DOOR
3	6	1007797	ASSEMBLY, COVER, ACCESS, TOP DECK, 10 BY 12
4	2	1007798	ASSEMBLY, COVER, ACCESS, TOP DECK, 7.5 BY 12
5	1	1007799	ASSEMBLY, COVER, ACCESS, TOP DECK, 9 BY 12
6*	1	1007815	ASSEMBLY, COVER, ACCESS, TOP DECK, 7.5 BY 13.75
6a	1	1007813	PANEL, COVER, ACCESS, 7.5 BY 13.75
6b	1	1007814	SEAL, COVER, ACCESS, 7.5 BY 13.75
7	1	1007828	DOUBLER, FORWARD, OUTBOARD, TOP DECK, RIGHT FLOAT
8	1	1007830	DOUBLER, FORWARD, INBOARD, TOP DECK, RIGHT FLOAT
9	1	1007832	DOUBLER, AFT, OUTBOARD, TOP DECK, RIGHT FLOAT
10	1	1007834	DOUBLER, AFT, INBOARD, TOP DECK, RIGHT FLOAT
11	3	1011004	ASSEMBLY, CUP, PUMPOUT, DUCKBILL
	3	4A01749-001	CUP, PUMP OUT
	3	1011808	RETAINER, VALVE, DUCKBILL, PUMPOUT PLUG
12	1	6A01008-058	INSPECTION COVER, TOP SKIN
13*	1	6A02000-126	ASSEMBLY, FITTING, STEP STRUT, LOWER, RIGHT
13a	2	1001922	ROLL PIN
13b	1	6A02231-001	FITTING, STEP STRUT, LOWER
13c	2	6A02607-001	SPACER, BRACKET, STEP STRUT
14	2	6A01213-003	CLEAT, TIE DOWN
15	164	MS24693-S50	SCREW, ACCESS COVER
16	4	AN4-7A	BOLT
17	4	AN4-7A	BOLT
18	8	MS21083N4	NUT
19	4	NAS1149D0416J	WASHER
20	12	NAS1149D0463J	WASHER
21	20	AN526-632R4	SCREW
22	4	AN3-7A	BOLT
23	4	MS21044N3	NUT
24	8	NAS1149D0363J	WASHER
25	2	AN833-5D	FITTING, HYDRAULIC, ELBOW
26	2	AN924-5D	JAM NUT
27	2	NAS1149D0863J	WASHER

*See [Nomenclature System](#) section when ordering assemblies

1007531 ASSEMBLY, TOP DECK, LEFT FLOAT

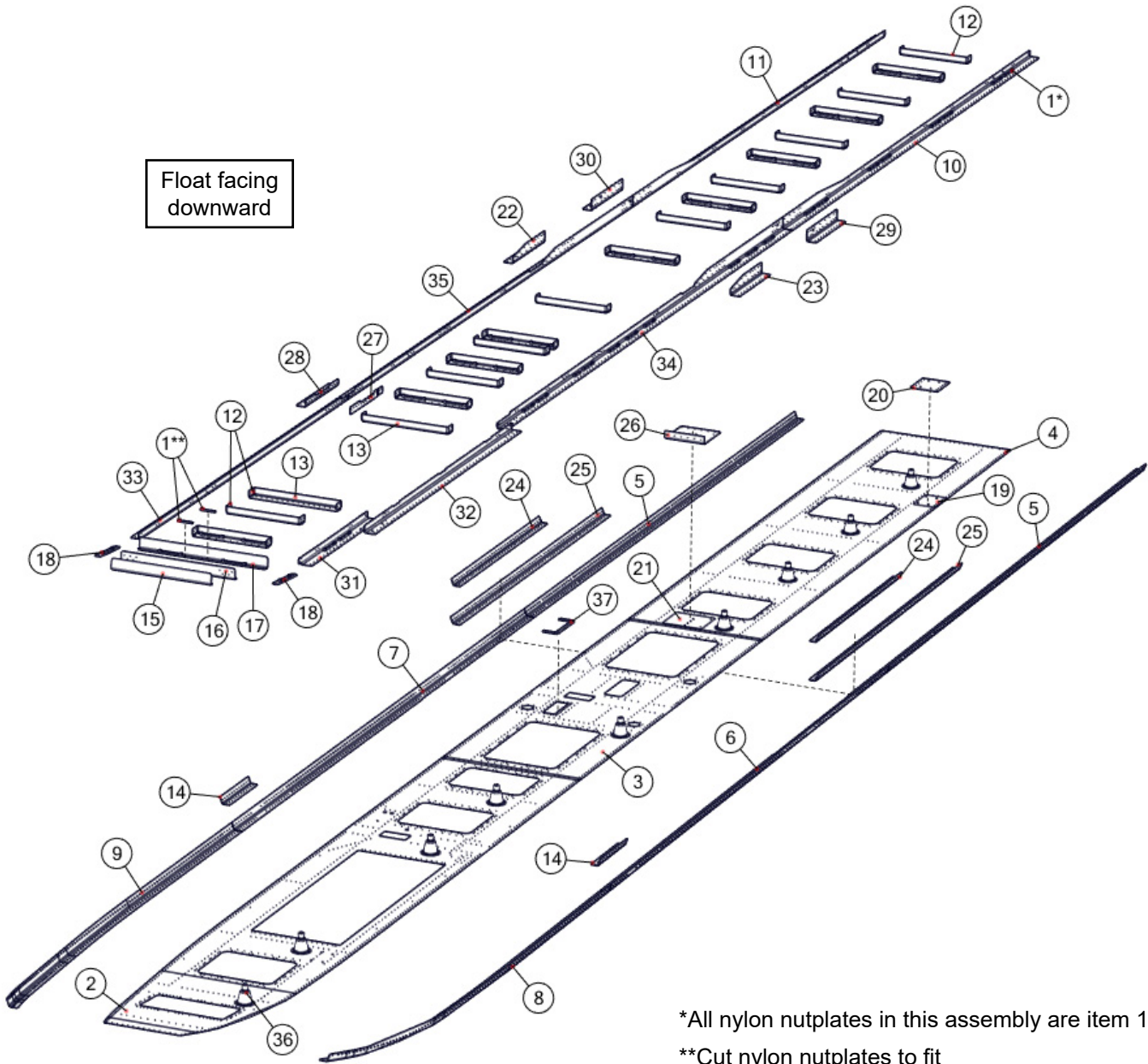


PARTS MANUAL FOR RIVETED
 WIPLINE MODEL 6100 AMPHIBIAN FLOATS SERIAL NUMBERS 61500 AND UP

1007531 ASSEMBLY, TOP DECK, LEFT FLOAT

ITEM	QTY	PART NO.	PART DESCRIPTION
1	84	1006512	NYLON, NUTPLATE, DOUBLER
2	1	1007547	SKIN, TOP, FORWARD, LEFT FLOAT
3	1	1007549	SKIN, TOP, MIDDLE, LEFT FLOAT
4	1	1007551	SKIN, TOP, AFT, LEFT FLOAT
5	2	1007640	GUNWALL, AFT
6	1	1007642	GUNWALL, MID, RIGHT
7	1	1007643	GUNWALL, MID, LEFT
8	1	1007644	GUNWALL, FORWARD, RIGHT
9	1	1007645	GUNWALL, FORWARD, LEFT
10	1	1007647	RAIL, TOP, AFT, RIGHT
11	1	1007648	RAIL, TOP, AFT, LEFT
12	18	1007658	SUPPORT, CROSS TIE, TOP RAIL
13	2	1007659	SUPPORT, CROSS TIE, BAGGAGE, TOP RAIL
14	2	1007662	SPLICE, GUNWALL, FORWARD
15	1	1007705	STIFFENER, TOP SKIN, FORWARD
16	1	1007706	STIFFENER, ACCESS COVER, TOP SKIN, FORWARD
17	1	1007707	STIFFENER, ACCESS COVER, TOP SKIN, FORWARD
18	2	1007715	DOUBLER, ACCESS COVER, TOP SKIN, FORWARD
19	1	1007718	SPACER, DOUBLER, CLEAT, AFT
20	1	1007720	DOUBLER, CLEAT, AFT
21	1	1007727	SPACER, STEP STRUT, TOP SKIN
22	1	1007810	SPLICE, TOP RAIL, LEFT, AFT
23	1	1007811	SPLICE, TOP RAIL, RIGHT, AFT
24	2	1007824	DOUBLER, SPLICE, RAIL, TOP, AFT
25	2	1007825	SPLICE, GUNWALL, AFT
26	1	1007839	DOUBLER, STEP STRUT, TOP SKIN, LEFT FLOAT
27	1	1007841	DOUBLER, SPLICE, TOP RAIL, INBOARD, LEFT FLOAT
28	1	1007843	SPLICE, RAIL, TOP, FORWARD, INBOARD, LEFT FLOAT
29	1	1007845	SPLICE, RAIL, TOP, AFT, OUTBOARD, LEFT FLOAT
30	1	1007847	SPLICE, RAIL, TOP, AFT, INBOARD, LEFT FLOAT
31	1	1007849	RAIL, TOP, FORWARD, OUTBOARD, LEFT FLOAT
32	1	1007851	RAIL, TOP, BAGGAGE, OUTBOARD, LEFT FLOAT
33	1	1007853	RAIL, TOP, FORWARD, INBOARD, LEFT FLOAT
34	1	1007855	RAIL, TOP, MID, OUTBOARD, LEFT FLOAT
35	1	1007857	RAIL, TOP, MID, INBOARD, LEFT FLOAT
36	9	1011004	ASSEMBLY, CUP, PUMPOUT, DUCKBILL
	9	4A01749-001	CUP, PUMP OUT
	9	1011808	RETAINER, VALVE, DUCKBILL, PUMPOUT PLUG
37	1	6A01156-123	REINFORCEMENT, ACCESS COVER

1007530 ASSEMBLY, TOP DECK, RIGHT FLOAT

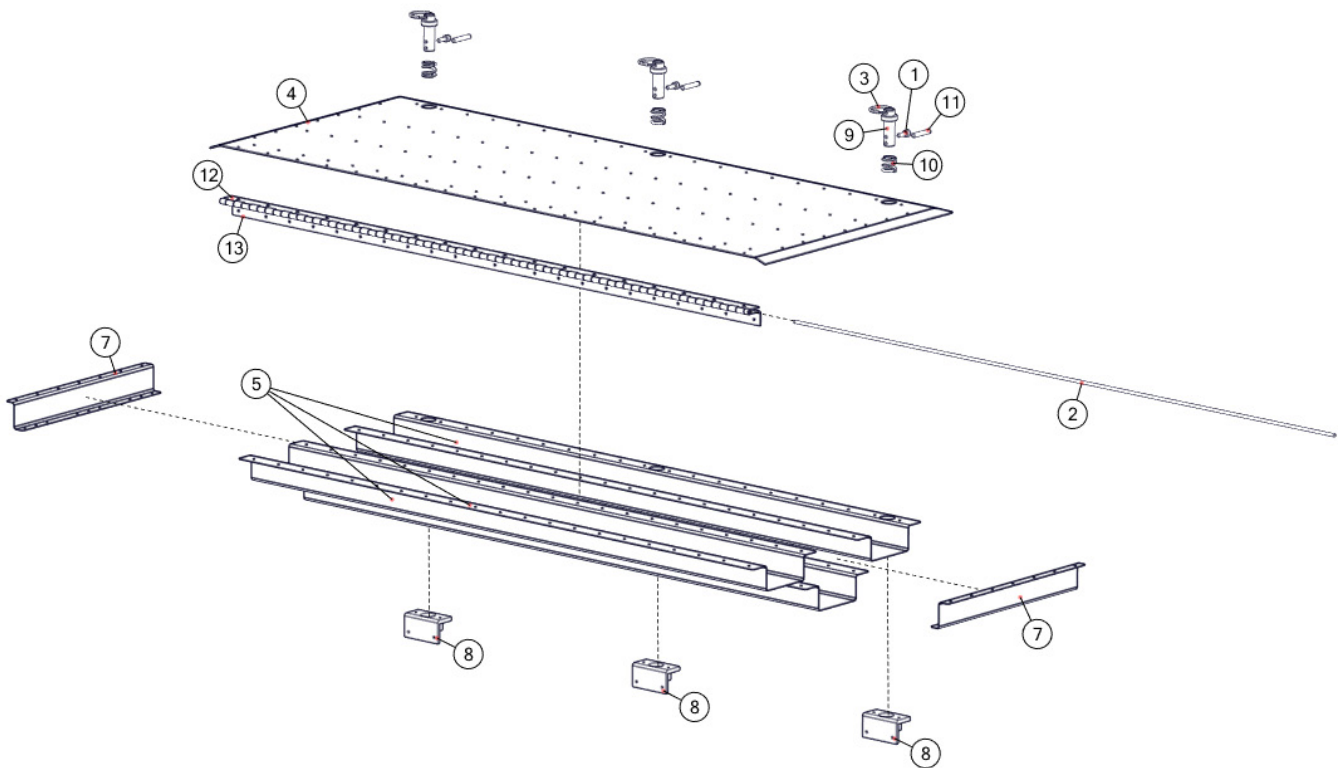


PARTS MANUAL FOR RIVETED
WIPLINE MODEL 6100 AMPHIBIAN FLOATS SERIAL NUMBERS 61500 AND UP

1007530 ASSEMBLY, TOP DECK, RIGHT FLOAT

ITEM	QTY	PART NO.	PART DESCRIPTION
1	84	1006512	NYLON, NUTPLATE, DOUBLER
2	1	1007546	SKIN, TOP, FORWARD, RIGHT FLOAT
3	1	1007548	SKIN, TOP, MIDDLE, RIGHT FLOAT
4	1	1007550	SKIN, TOP, AFT, RIGHT FLOAT
5	2	1007640	GUNWALL, AFT
6	1	1007642	GUNWALL, MID, RIGHT
7	1	1007643	GUNWALL, MID, LEFT
8	1	1007644	GUNWALL, FORWARD, RIGHT
9	1	1007645	GUNWALL, FORWARD, LEFT
10	1	1007647	RAIL, TOP, AFT, RIGHT
11	1	1007648	RAIL, TOP, AFT, LEFT
12	18	1007658	SUPPORT, CROSS TIE, TOP RAIL
13	2	1007659	SUPPORT, CROSS TIE, BAGGAGE, TOP RAIL
14	2	1007662	SPLICE, GUNWALL, FORWARD
15	1	1007705	STIFFENER, TOP SKIN, FORWARD
16	1	1007706	STIFFENER, ACCESS COVER, TOP SKIN, FORWARD
17	1	1007707	STIFFENER, ACCESS COVER, TOP SKIN, FORWARD
18	2	1007715	DOUBLER, ACCESS COVER, TOP SKIN, FORWARD
19	1	1007718	SPACER, DOUBLER, CLEAT, AFT
20	1	1007720	DOUBLER, CLEAT, AFT,
21	1	1007727	SPACER, STEP STRUT, TOP SKIN
22	1	1007810	SPLICE, TOP RAIL, LEFT, AFT
23	1	1007811	SPLICE, TOP RAIL, RIGHT, AFT
24	2	1007824	DOUBLER, SPLICE, RAIL, TOP, AFT
25	2	1007825	SPLICE, GUNWALL, AFT
26	1	1007840	DOUBLER, STEP STRUT, TOP SKIN, RIGHT FLOAT
27	1	1007842	DOUBLER, SPLICE, TOP RAIL, INBOARD, RIGHT FLOAT
28	1	1007844	SPLICE, RAIL, TOP, FORWARD, INBOARD, RIGHT FLOAT
29	1	1007846	SPLICE, RAIL, TOP, AFT, OUTBOARD, RIGHT FLOAT
30	1	1007848	SPLICE, RAIL, TOP, AFT, INBOARD, RIGHT FLOAT
31	1	1007850	RAIL, TOP, FORWARD, OUTBOARD, RIGHT FLOAT
32	1	1007852	RAIL, TOP, BAGGAGE, OUTBOARD, RIGHT FLOAT
33	1	1007854	RAIL, TOP, FORWARD, INBOARD, RIGHT FLOAT
34	1	1007856	RAIL, TOP, MID, OUTBOARD, RIGHT FLOAT
35	1	1007858	RAIL, TOP, MID, INBOARD, RIGHT FLOAT
36	9	1011004	ASSEMBLY, CUP, PUMPOUT, DUCKBILL
	9	4A01749-001	CUP, PUMP OUT
	9	1011808	RETAINER, VALVE, DUCKBILL, PUMPOUT PLUG
37	1	6A01156-123	REINFORCEMENT, ACCESS COVER

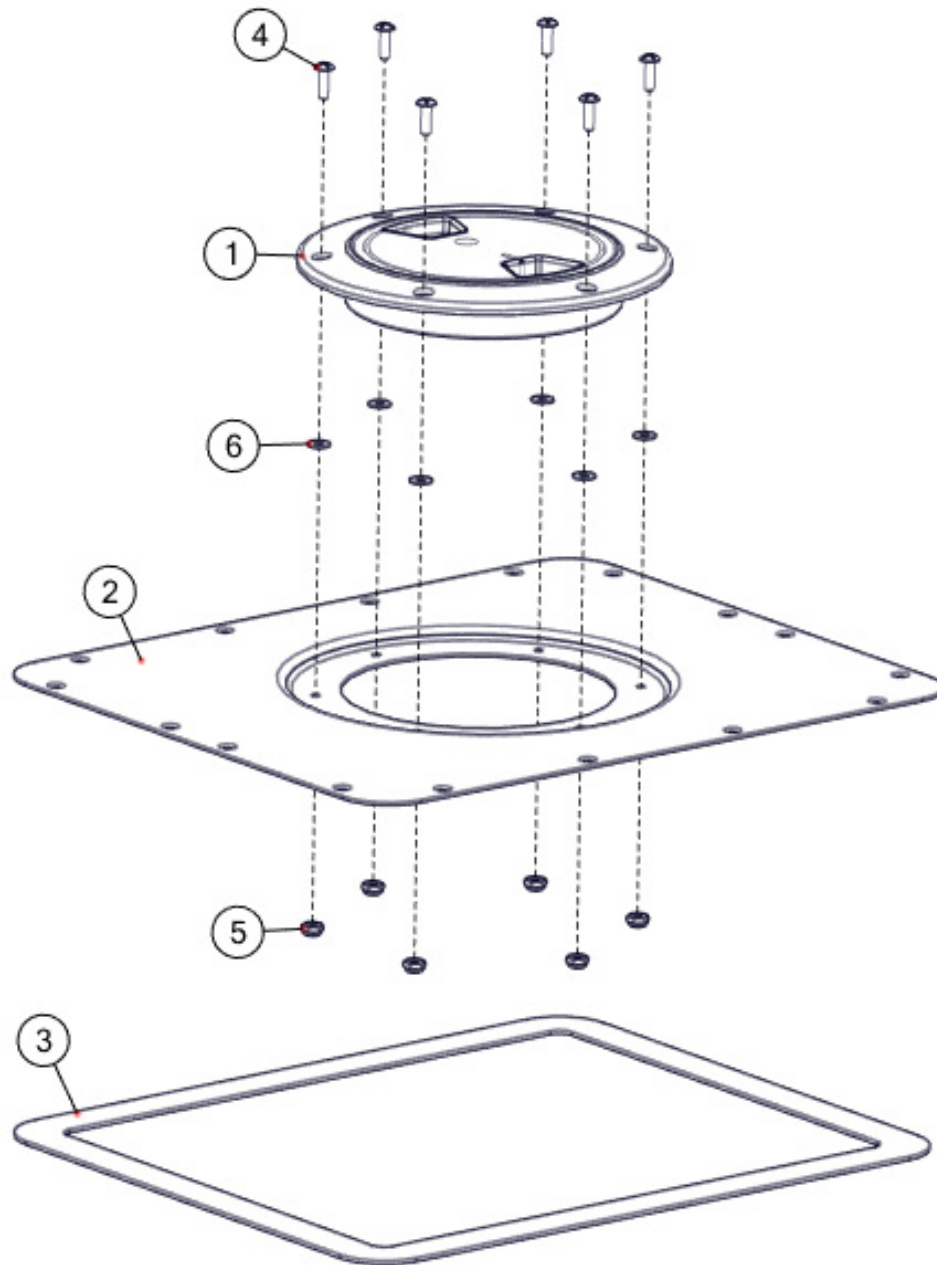
1007780 ASSEMBLY, BAGGAGE DOOR



1007780 ASSEMBLY, BAGGAGE DOOR

ITEM	QTY	PART NO.	PART DESCRIPTION
1	3	3A01702-004	PIN - LOCK
2	1	1002186	ROD, HINGE PIN
3	3	1002663	RING, BAGGAGE LOCK
4	1	1007776	PANEL, BAGGAGE DOOR
5	2	1007777	STIFFENER, BAGGAGE DOOR, CENTER AND REAR
6	1	1007778	STIFFENER, BAGGAGE DOOR, FRONT
7	2	1007779	STIFFENER END CAP, BAGGAGE DOOR
8	3	3A01206-001	RETAINER, BAGGAGE COMPARTMENT LOCK
9	3	3A01273-004	PIN, LATCH, BAGGAGE DOOR
10	3	3A01525-003	SPRING, BAGGAGE COVER
11	3	3A01702-004	LOCK PIN
12	1	6A01740-006	HINGE, BAGGAGE COVER, 3/4"
13	1	6A01741-001	HINGE, BAGGAGE COVER, 1.5"

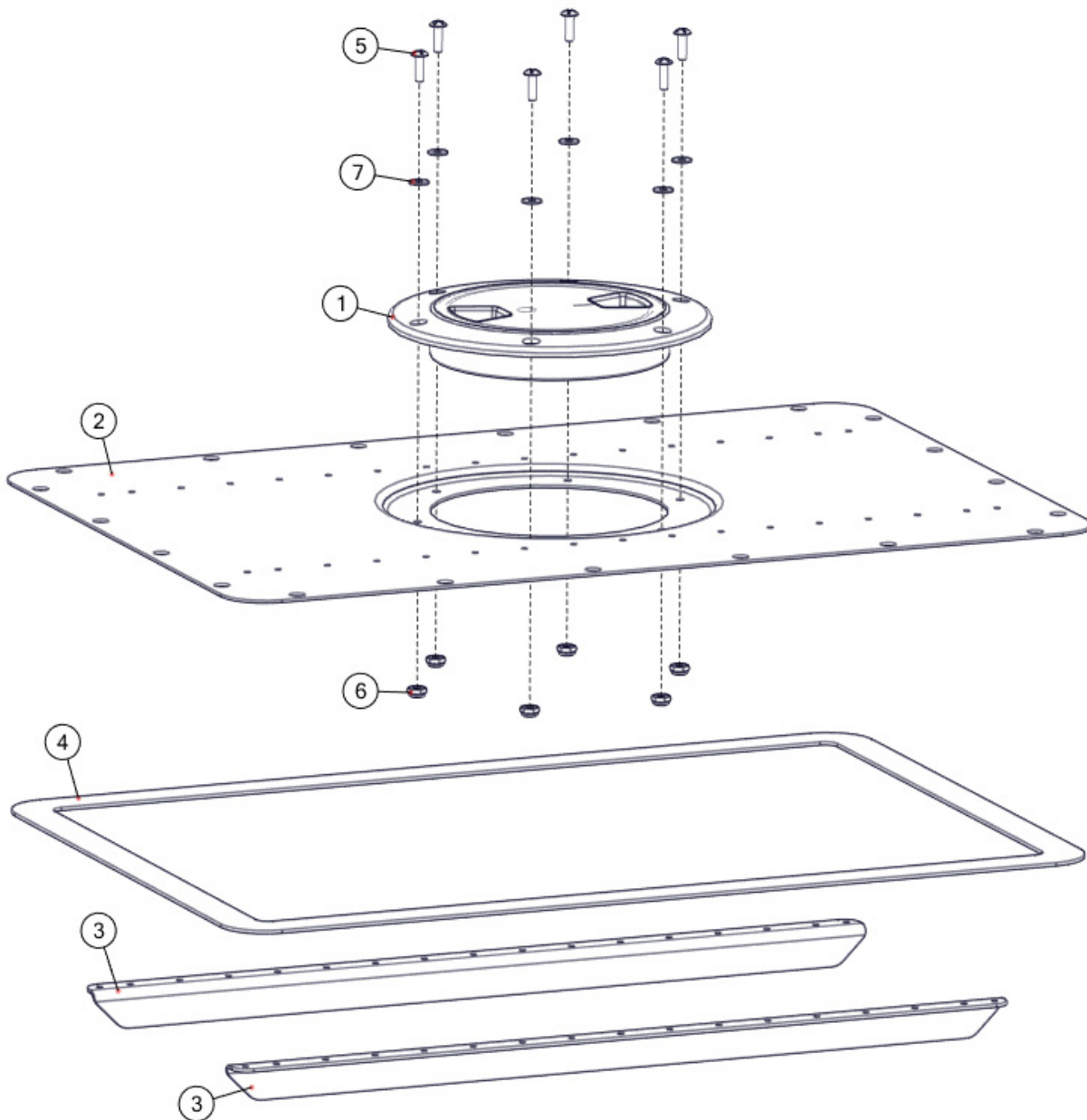
1007797 ASSEMBLY, COVER, ACCESS, TOP DECK, 10 BY 12



1007797 ASSEMBLY, COVER, ACCESS, TOP DECK, 10 BY 12

ITEM	QTY	PART NO.	PART DESCRIPTION
1	1	1004593	ACCESS COVER
2	1	1007770	PANEL, COVER, ACCESS, 10 BY 12
3	1	3A01567-008	SEAL, COVER, 10 BY 12
4	6	AN526C632R8	SCREW
5	6	MS21044N06	NUT
6	6	NAS1149FN632P	WASHER

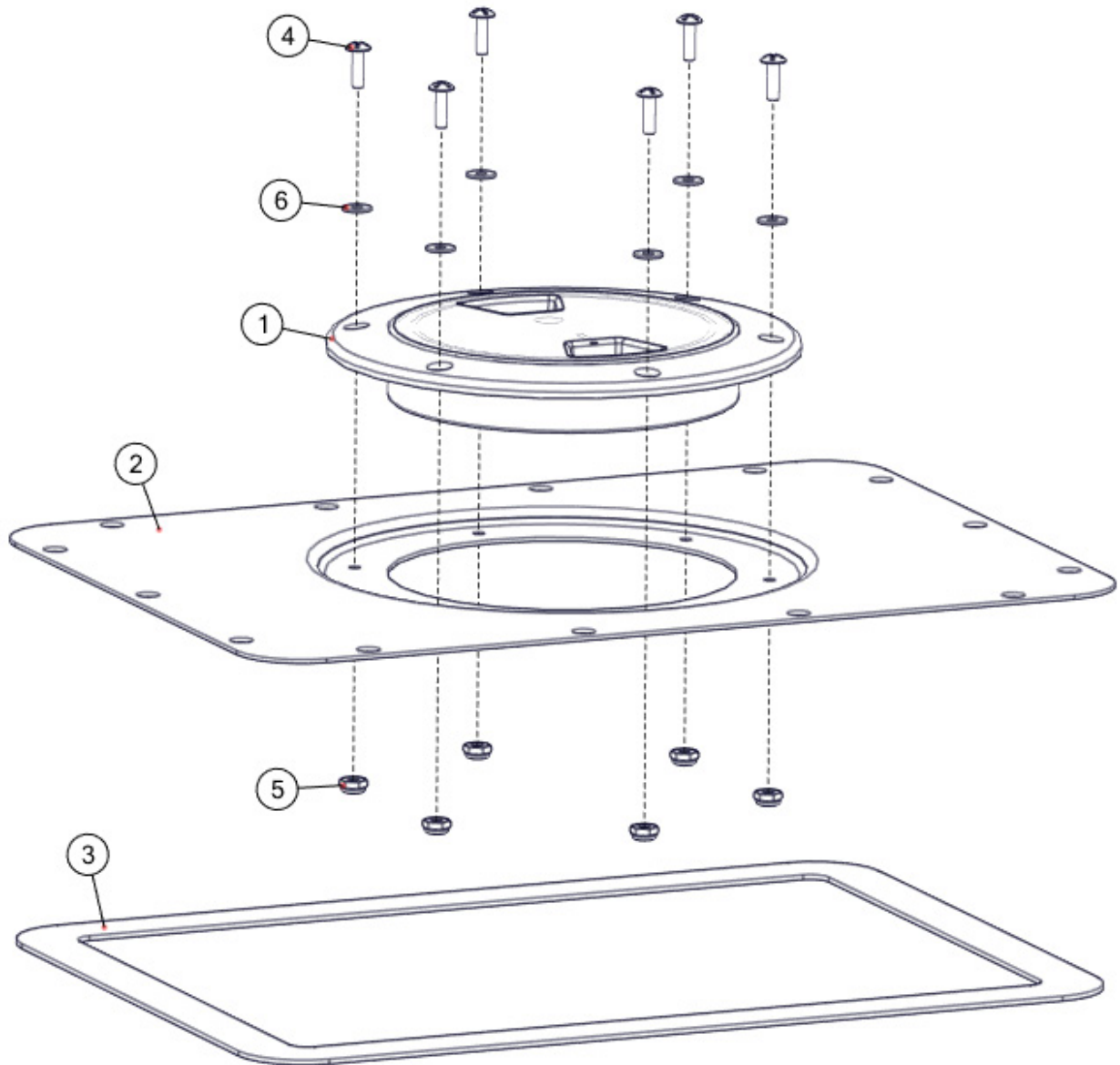
1007798 ASSEMBLY, COVER, ACCESS, TOP DECK, 17.5 BY 12



1007798 ASSEMBLY, COVER, ACCESS, TOP DECK, 17.5 BY 12

ITEM	QTY	PART NO.	PART DESCRIPTION
1	1	1004593	ACCESS COVER
2	1	1007771	PANEL, COVER, ACCESS, 17.5 BY 12
3	2	1007805	STIFFENER, ACCESS COVER
4	1	6A01567-004	SEAL, COVER, ACCESS, 17.5 BY 12
5	6	AN526C632R8	SCREW
6	6	MS21044N06	NUT
7	6	NAS1149FN632P	WASHER

1007799 ASSEMBLY, COVER, ACCESS, TOP DECK, 9 BY 12

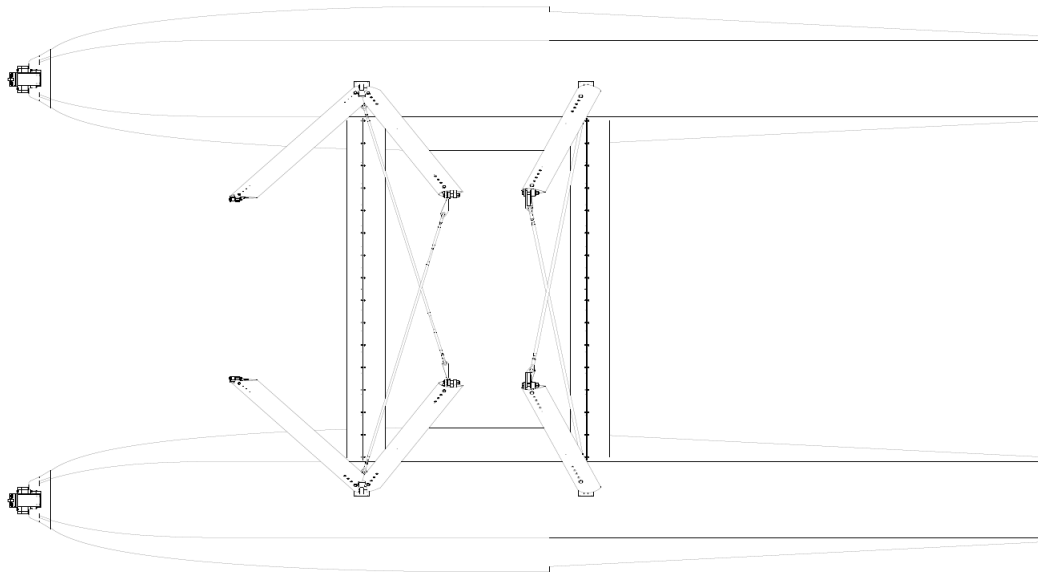


1007799 ASSEMBLY, COVER, ACCESS, TOP DECK, 9 BY 12

ITEM	QTY	PART NO.	PART DESCRIPTION
1	1	1004593	ACCESS COVER
2	1	1007772	PANEL, COVER, ACCESS, 9 BY 12
3	1	6A01567-003	SEAL, COVER, ACCESS, 9 BY 12
4	1	AN526C632R8	SCREW
5	1	MS21044N06	NUT
6	1	NAS1149FN632P	WASHER

THIS PAGE INTENTIONALLY LEFT BLANK

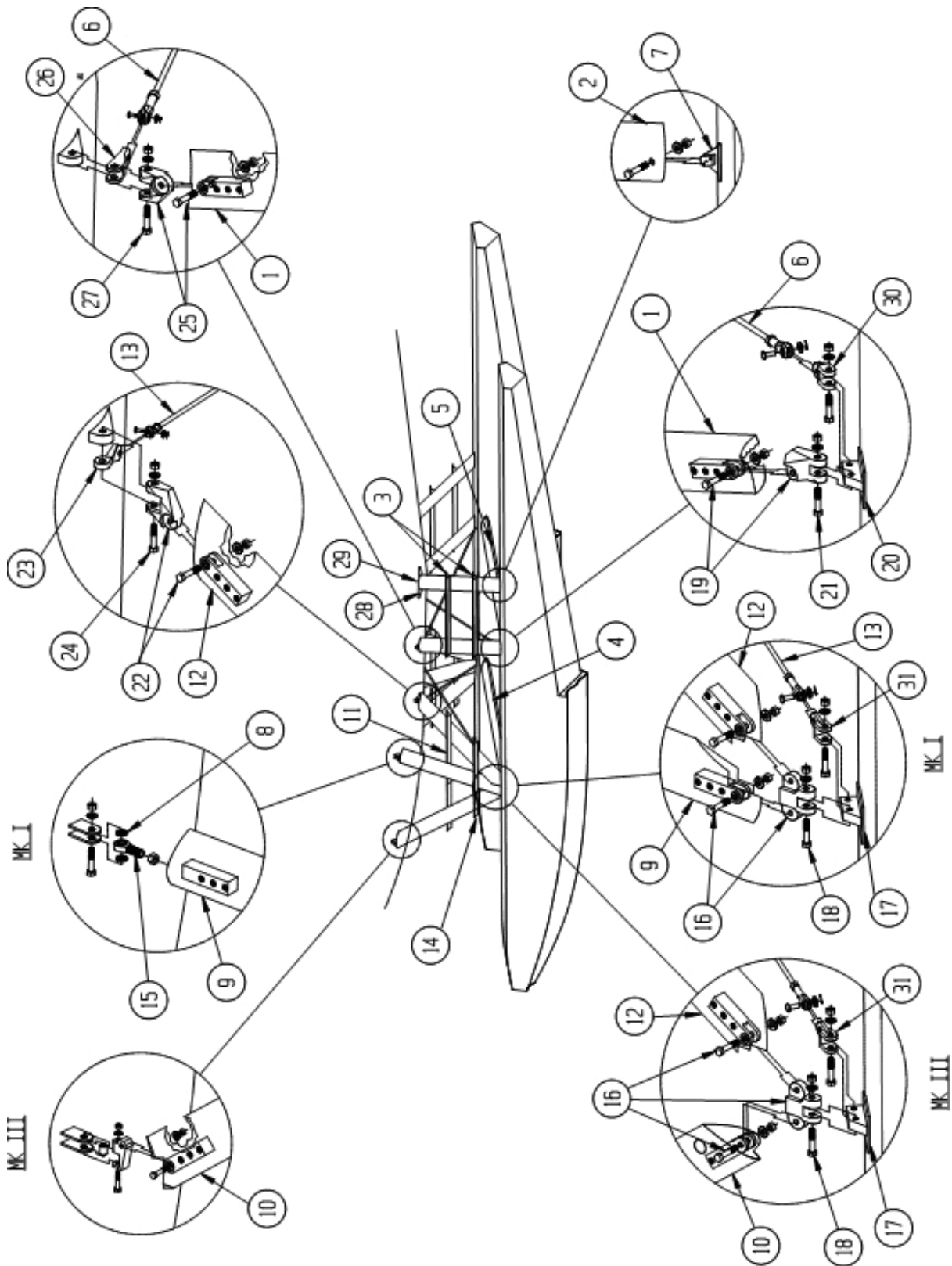
SECTION 6 STRUTS, STEPS, & SPREADER BARS



CONTENTS

STRUTS AND STEPS - INSTALLATION.....	80
SPREADER BAR, AFT.....	86
SPREADER BAR, FWD.....	88

STRUTS AND STEPS - INSTALLATION



STRUTS AND STEPS - INSTALLATION

ITEM	QTY	PART NO.	PART DESCRIPTION
1 LT.	-	6A02000-023	ASS'Y., RR. STRUT, LT.
	1	6A02356-013	STRUT, RR., LT.
	1	6A02198-001	FTG., RR. STRUT
	16	MS24694S145	SCREW
1 RT.	-	6A02000-024	ASS'Y., RR. STRUT, RT.
	1	6A02356-014	STRUT, RR., RT.
	1	6A02198-001	FTG., RR. STRUT
	16	MS24694S145	SCREW
2	1	6A02334-001	STEP STRUT, LT.
	1	6A02334-002	STEP STRUT, RT.
	4	AN4-17A	BOLT (ATTACH)
	8	NAS1149F0432P	WASHER
	4	MS21044N4	NUT
3	2	6A02368-007	STEP, RR., LT.
	2	6A02368-008	STEP, RR., RT.
	4	AN3-17A	BOLT
	4	MS21044N3	WASHER
	4	MS21044N3	NUT
4	1	6A03000-024	ASS'Y., SPR. BAR, FT.
5	1	6A03000-007	ASS'Y., SPR. BAR, AFT
6	-	6A02000-027	ASS'Y., FLY WIRE, AFT
	1	AN665-202LS	TERMINAL, TIE ROD, CLEVIS KIT, RT. STAINLESS STEEL
	1	AN316C9R	NUT, STAINLESS STEEL
	1	AN665-202RS	TERMINAL, TIE ROD, CLEVIS KIT, LT. STAINLESS STEEL
	1	AN316C9L	NUT, STAINLESS STEEL
	2	MS20392-8C31	PIN, CLEVIS
	2	NAS1149F0963P	WASHER
	2	MS24665-444	COTTER PIN
	1	AN679AC-7475	FLY WIRE 74.75 IN
7	-	6A02000-126	ASS'Y. FITTING, STEP STRUT, RT.
	-	6A02000-125	ASS'Y. FITTING, STEP STRUT, LT.
	1	6A02231-002	FITTING, STEP STRUT, LOWER, RT.
	1	6A02231-001	FITTING, STEP STRUT, LOWER, LT.
	4	6A02607-001	SPACER
	4	1001922	ROLL PIN
	8	AN3-7A	BOLT
	16	NAS1149F0332P	WASHER
	8	MS21044N3	NUT
	2	6A01156-018	BRACKET, STEP STRUT, TOP SKIN
	2	6A01003-020	SPACER, BRACKET, STEP STRUT, TOP SKIN
8	4	6A02262-002	BUSHING, FT. STRUT, ROD END

STRUTS AND STEPS - INSTALLATION

ITEM	QTY	PART NO.	PART DESCRIPTION
9 LT.	-	6A02000-029	ASS'Y., FT. STRUT, LT. (MK I)
	1	6A02356-017	STRUT, FT., LT.
	1	6A02198-003	FTG., FT. STRUT, LWR. END
	1	6A02198-004	FTG., FT. STRUT, UPR. END
	6	MS24694S145	SCREW
9 RT.	-	6A02000-030	ASS'Y., FT. STRUT, RT. (MK I)
	1	6A02356-018	STRUT, FT., RT.
	1	6A02198-003	FTG., FT. STRUT, LWR. END
	1	6A02198-004	FTG., FT. STRUT, UPR. END
	6	MS24694S145	SCREW
10 LT.	-	6A02000-031	ASS'Y., FT. STRUT, LT. (MK III)
	1	6A02356-019	STRUT, FT., LT.
	1	6A02198-003	FTG., FT. STRUT, LWR. END
	1	6A02198-002	FTG., FT. STRUT, UPR. END
	12	MS246945145	SCREW
	1	6A02204-002	FTG., CLEVIS, FT. STRUT, UPR. END
	1	6A02273-003	BUSHING, CLEVIS ATTACH
	2	AN6-32A	BOLT
	2	NAS1149F0663P	WASHER
	2	MS21044N6	NUT
10 RT.	-	6A02000-032	ASS'Y., FT. STRUT, RT. (MK III)
	1	6A02356-020	STRUT, FT., RT.
	1	6A02198-003	FTG., FT. STRUT, LWR. END
	1	6A02198-002	FTG., FT. STRUT, UPR. END
	12	MS246945145	SCREW
	1	6A02204-002	FTG., CLEVIS, FT. STRUT, UPR. END
	1	6A02273-003	BUSHING, CLEVIS ATTACH
	2	AN6-32A	BOLT
	2	NAS1149F0663P	WASHER
	2	MS21044N6	NUT
11	1	6A02368-005	STEP, UPR. FT. LT. (MKI)
	1	6A02368-006	STEP, UPR. FT. RT. (MKI)
	4	6A02273-006	SPACER
	4	AN3-24A	BOLT
	4	NAS1149F0363P	WASHER
	4	MS21044N4	NUT
12 LT.	-	6A02000-033	ASS'Y., STRUT CTR. LT.
	1	6A02356-021	STRUT, CTR. LT.
	1	6A02198-003	FTG., CTR. STRUT LWR.
	1	6A02198-003	FTG., CTR. STRUT UPR.
	12	MS246945145	SCREW

STRUTS AND STEPS - INSTALLATION

ITEM	QTY	PART NO.	PART DESCRIPTION
12 RT.	-	6A02000-034	ASS'Y., STRUT CTR. RT.
	1	6A02356-022	STRUT, CTR. RT.
	1	6A02198-003	FTG., CTR. STRUT LWR.
	1	6A02198-003	FTG., CTR. STRUT UP.
	12	MS246945145	SCREW
13	2	6A02000-028	ASS'Y., FLY WIRE, FWD.
	2	AN665-115RS	TERMINAL, STAINLESS STEEL
	2	AN665-115LS	TERMINAL, STAINLESS STEEL
	2	AN316C7L	NUT, STAINLESS STEEL
	2	AN316C7R	NUT, STAINLESS STEEL
	4	MS20392-6C25	PIN, CLEVIS
	4	NAS1149F0763P	WASHER
	4	MS24665-300	COTTER PIN
14	1	6A02368-001	STEP, LWR. FT. LT. (MK I)
	1	6A02368-002	STEP, LWR. FT. RT. (MK I)
	1	6A02368-003	STEP, LWR. FT., LT. (MK III)
	1	6A02368-004	STEP, LWR. FT., RT. (MK III)
	4	AN3-24A	BOLT
	4	NAS1149F0363P	WASHER
	4	MS21044N4	NUT
15	2	HMX10G	ROD END, UP., FT. STRUT (MK I)
	2	AN924-80	JAM NUT
	2	AN6-17A	BOLT
	2	NAS1149F0663P	WASHER
	2	MS21044N6	NUT
16	1	6A02187-002	JOINT, FT. STRUT LWR., RT.
	1	6A02187-003	JOINT, FT. STRUT LWR., LT.
	4	AN8-22A	BOLT
	8	NAS1149F0863P	WASHER
	4	MS21044N8	NUT
17	2	6A02362-007	FTG., FLOAT DECK FWD.
	2	AN6-10A	BOLT
	6	AN3-7A	BOLT, 10-32, 0.5 GRIP
	6	MS21044N3	NUT, LOCKING, REGULAR HEIGHT, 10-32 UNF
	2	MS21044N6	NUT, LOCKING, REGULAR HEIGHT, 3/8-24 UNF
	4	NAS1149D0663J	WASHER, 0.39 ID, 0.063 THK
	12	NAS1149D0363J	WASHER, 0.203 ID, 0.063 THK
18	2	AN9-32A	BOLT
	2	NAS1149F0963P	WASHER
	2	MS21044N9	NUT
19	1	6A02187-004	JOINT, RR. STRUT, LWR. RT.

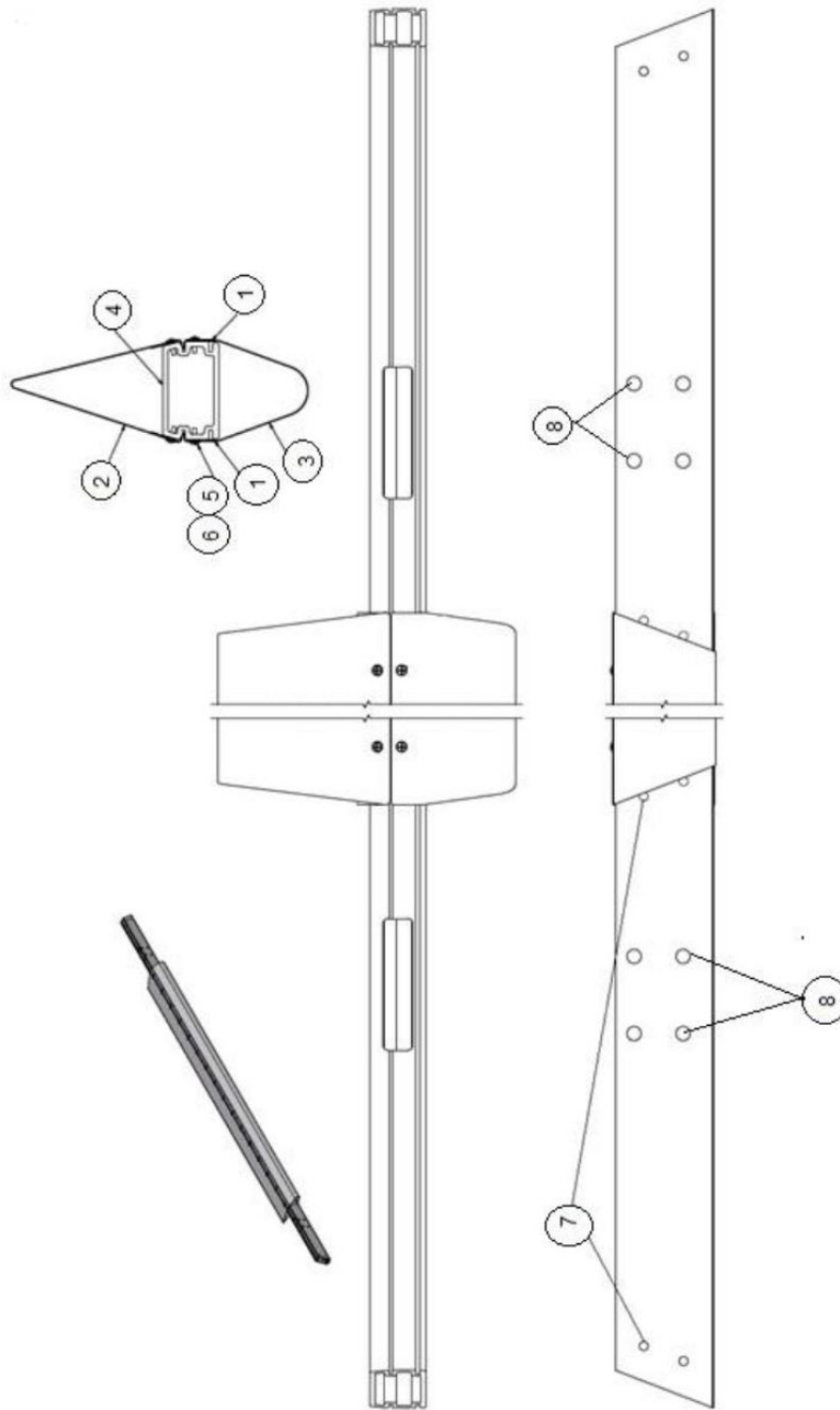
STRUTS AND STEPS - INSTALLATION

ITEM	QTY	PART NO.	PART DESCRIPTION
	1	6A02187-005	JOINT, RR. STRUT, LWR. LT.
	2	AN9-22A	BOLT (STRUT ATTACH)
	2	NAS1149F0963P	WASHER
	2	MS21044N9	NUT
20	1	6A02362-007	FTG., FLOAT DECK AFT (AMPHIB.)
	1	6S02362-008	FTG., FLOAT DECK AFT (SEAPLANE)
	2	AN6-10A	BOLT
	6	AN3-7A	BOLT, 10-32, 0.5 GRIP
	6	MS21044N3	NUT, LOCKING, REGULAR HEIGHT, 10-32 UNF
	2	MS21044N6	NUT, LOCKING, REGULAR HEIGHT, 3/8-24 UNF
	4	NAS1149D0663J	WASHER, 0.39 ID, 0.063 THK
	12	NAS1149D0363J	WASHER, 0.203 ID, 0.063 THK
21	2	AN9-32A	BOLT, ATTACH
	2	NAS1149F0963P	WASHER
	2	MS21044N9	NUT
22	2	6A02187-006	FTG., CTR. STRUT, UPR.
	2	6A02262-001	BUSHING
	2	AN8-22A	BOLT (STRUT ATTACH)
	2	NAS1149F0863P	WASHER
	2	MS21044N8	NUT
23	1	6A02056-003	CLEVIS, BRACE WIRE, FT. LT.
	1	6A02056-004	CLEVIS, BRACE WIRE, FT. RT.
24	2	AN10-40A	BOLT
	2	NAS1149F1063P	WASHER
	2	MS21044N10	NUT
25	2	6A02187-001	FTG., RR. STRUT, UPR. END
	2	AN9-22A	BOLT (STRUT ATTACH)
	2	NAS1149F0963P	WASHER
	2	MS21044N9	NUT
26	1	6A02056-001	CLEVIS, BRACE WIRE, RR. LT.
	1	6A02059-002	CLEVIS, BRACE WIRE, RR. RT.
27	2	AN10-40A	BOLT
	2	NAS1149F1063P	WASHER
	2	MS21044N10	NUT
28	1	6A02426-002	BRKT., STEP STRUT, RT.
	1	6A02426-001	BRKT., STEP STRUT, LT.
	4	AN4-5A	BOLT
	4	NAS1149F0432P	WASHER
	4	MS21044N4	NUT
29	4	6A02606-003	STEP STRUT BUSHING
	2	AN4-17A	BOLT

STRUTS AND STEPS - INSTALLATION

ITEM	QTY	PART NO.	PART DESCRIPTION
	4	NAS1149F0432P	WASHER
	2	MS21044N4	NUT
30	2	6A02046-004	FTG., CLEVIS BRACE WIRE AFT, LWR., RT. & LT.
	2	AN8-26A	BOLT
	4	NAS1149C0863R	WASHER
	2	MS21044N8	NUT
31	2	6A02063-002	FTG., CLEVIS BRACE WIRE FWD., LWR., RT. & LT.
	2	AN28-34A	CLEVIS BOLT
	2	MS21083N8	NUT
	2	NAS1149F0863P	WASHER

SPREADER BAR, AFT

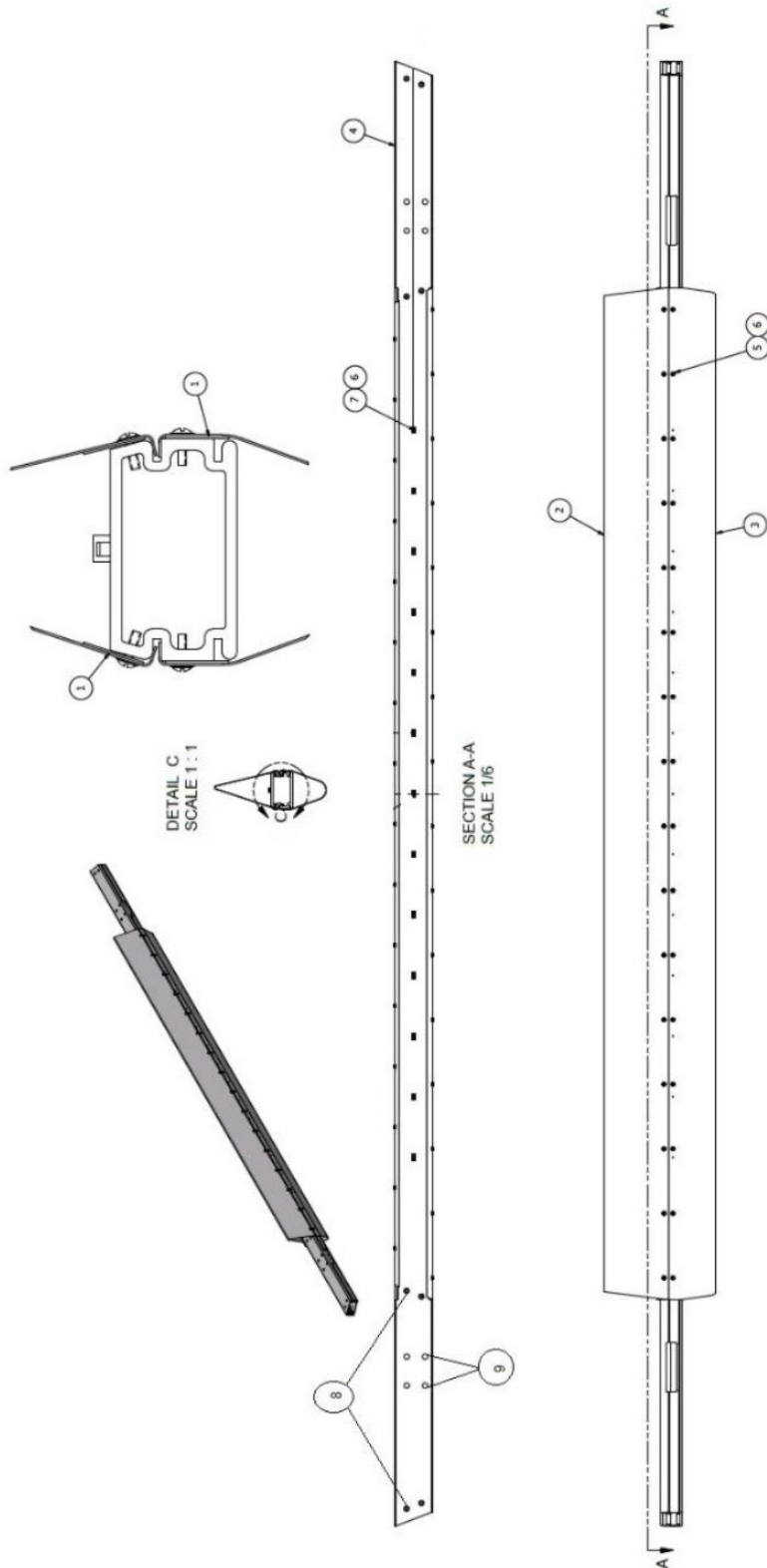


PARTS MANUAL FOR RIVETED
 WIPLINE MODEL 6100 AMPHIBIAN FLOATS SERIAL NUMBERS 61500 AND UP

SPREADER BAR, AFT

ITEM	QTY	PART NO.	PART DESCRIPTION
-	1	6A03000-007	ASSY., SPR. BAR WITH FAIRINGS, AFT
1	8	6A03005-179	FILLER STRIP, FAIRING
2	1	6A03158-028	FAIRING, SPREADER BAR REAR
3	1	6A03158-029	FAIRING, SPREADER BAR FRONT
4	1	6A03358-001	SPREADER BAR
5	64	AN526C632R8	SCREW, MACHINE, TRUSS HEAD
6	64	NAS1149FN616P	WASHER
7	8	6A03702-009	BOLT, SPREADER BAR MODIFIED
8	8	AN8-31A	BOLT
	8	NAS1149D0863J	WASHER
	12	MS21044N8	NUT

SPREADER BAR, FWD



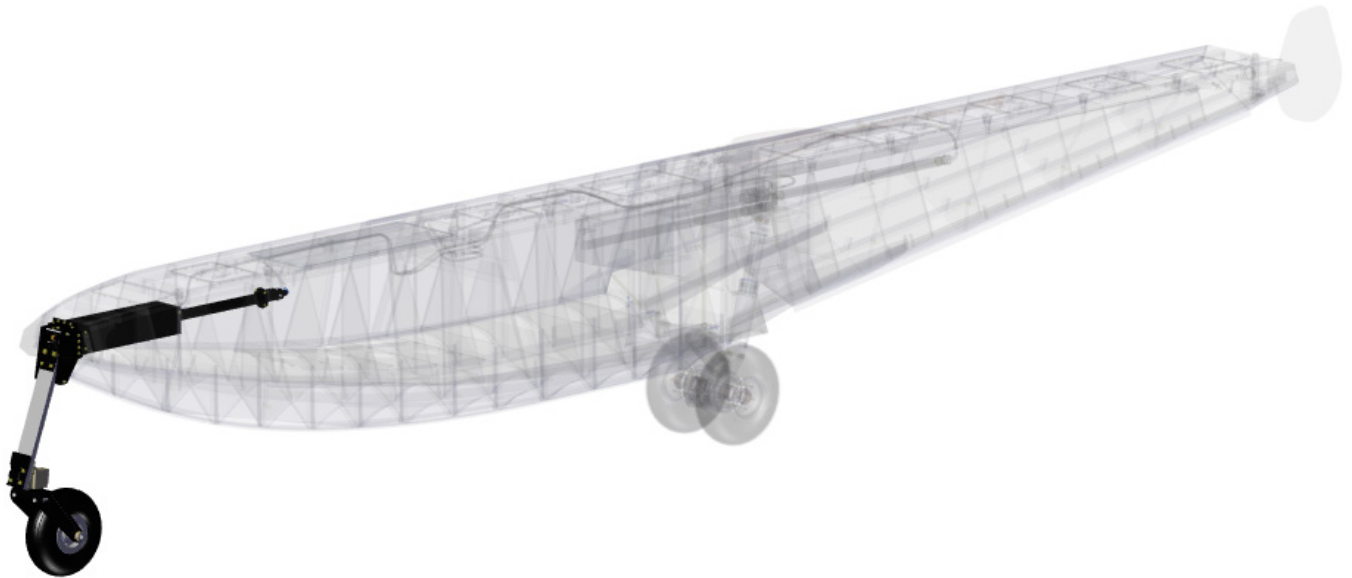
PARTS MANUAL FOR RIVETED
 WIPLINE MODEL 6100 AMPHIBIAN FLOATS SERIAL NUMBERS 61500 AND UP

SPREADER BAR, FWD

ITEM	QTY	PART NO.	PART DESCRIPTION
-	1	6A03000-024	ASSY., SPR. BAR WITH FAIRINGS, FWD
1	8	6A03005-179	FILLER STRIP, FAIRING
2	1	6A03158-028	FAIRING, SPREADER BAR REAR
3	1	6A03158-029	FAIRING, SPREADER BAR FRONT
4	1	6A03358-001	SPREADER BAR
5	13	AAPQ-43	RIVET
	64	AN526C632R8	SCREW, MACHINE, TRUSS HEAD
6	64	NAS1149FN616P	WASHER
7	13	TM2S6-M	TIE CLIP
8	8	6A03702-009	BOLT, SPREADER BAR MODIFIED
9	8	AN8-31A	BOLT
	8	NAS1149D0863J	WASHER
	12	MS21044N8	NUT

THIS PAGE INTENTIONALLY LEFT BLANK

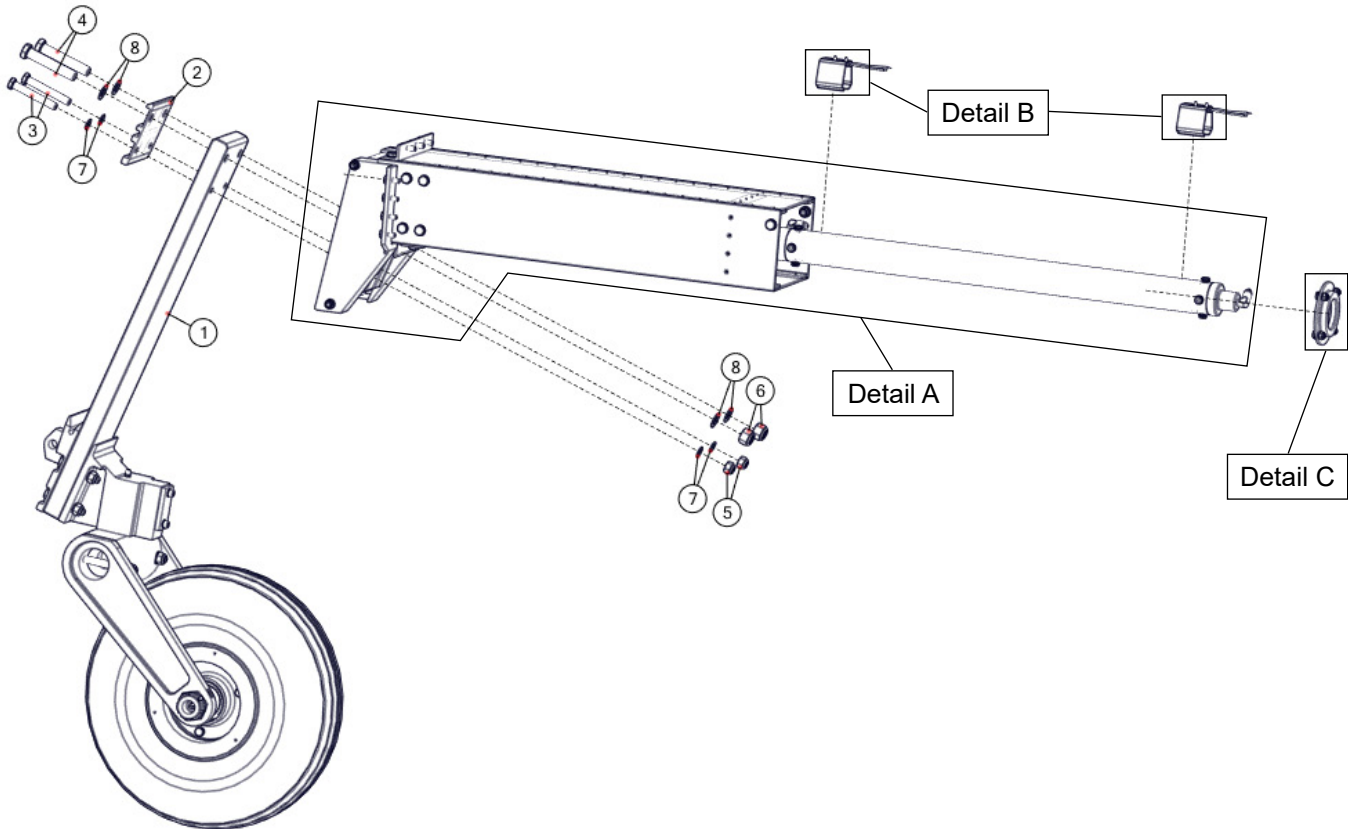
SECTION 7 LANDING GEAR



CONTENTS

NOSE GEAR ASSEMBLY, LEFT AND RIGHT FLOATS	92
6A06000-011 NOSE FORK AND PIVOT ASSEMBLY	93
1003233 ASSEMBLY, NOSE WHEEL WITHOUT TIRE	95
NOSE GEAR ASSEMBLY DETAIL A - NOSE BOX AND	96
ACTUATOR COMPONENTS.....	96
1002636 ASSEMBLY, NOSE GEAR ACTUATOR.....	97
1002635 ASSEMBLY, NOSE BOX.....	99
NOSE GEAR ASSEMBLY DETAIL B - NOSE GEAR	101
MAGNET SWITCH COMPONENTS.....	101
NOSE GEAR ASSEMBLY DETAIL C - NOSE GEAR	102
RETAINING RING COMPONENTS	102
MAIN GEAR ASSEMBLY, LEFT AND RIGHT FLOATS	103
6A04000-013 ASSEMBLY, MAIN GEAR.....	104
1002068 ASSEMBLY, SHOCK STRUT.....	105
6A04000-015 ASSEMBLY, MAIN GEAR AXLE	107
091-21600 ASSEMBLY, BRAKE CALIPER, PARKER.....	110
8A04000-031 ASSEMBLY, MAIN WHEEL, WITH TIRE AND TUBE.....	112
40-418-3 OR 40-418 ASSEMBLY, MAIN WHEEL.....	113
1002643 ASSEMBLY, CARRIAGE.....	114
MAIN GEAR ASSEMBLY DETAIL A SLIDE TUBE COMPONENTS.....	116
MAIN GEAR ASSEMBLY DETAIL B	117
SLIDE TUBE HOUSING COMPONENTS	117
MAIN GEAR ASSEMBLY DETAIL C	119
MAIN GEAR CYLINDER COMPONENTS.....	119
MAIN GEAR ASSEMBLY DETAIL D TRUNNION COMPONENTS	121

NOSE GEAR ASSEMBLY, LEFT AND RIGHT FLOATS

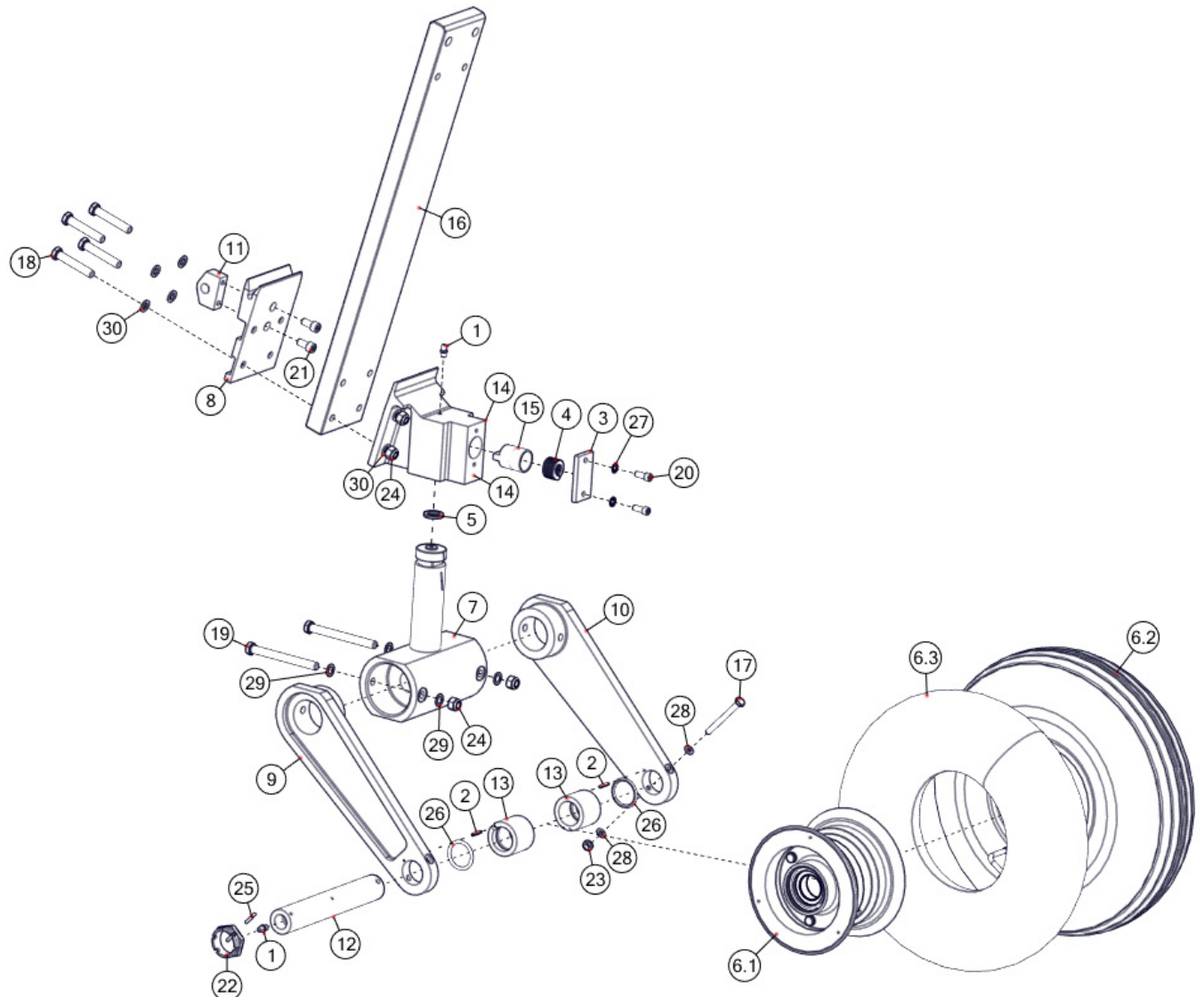


NOSE GEAR ASSEMBLY, LEFT AND RIGHT FLOATS

ITEM	QTY	PART NO.	PART DESCRIPTION
1	1	6A06000-011	NOSE FORK AND PIVOT ASSEMBLY
2	1	6A07184-001	BEARING PLATE, NOSE SPRING
3	2	AN6-25A	BOLT
4	2	AN8-27A	BOLT
5	2	MS21044N6	NUT
6	2	MS21044N8	NUT
7	4	NAS1149F0632P	WASHER
8	4	NAS1149F0832P	WASHER
Detail A	1	-	NOSE BOX AND ACTUATOR COMPONENTS
Detail B	2	-	NOSE GEAR MAGNET SWITCH COMPONENTS
Detail C	1	-	NOSE GEAR RETAINING RING COMPONENTS

*See [Detailed Views](#) section for Detailed Views explanation

6A06000-011 NOSE FORK AND PIVOT ASSEMBLY

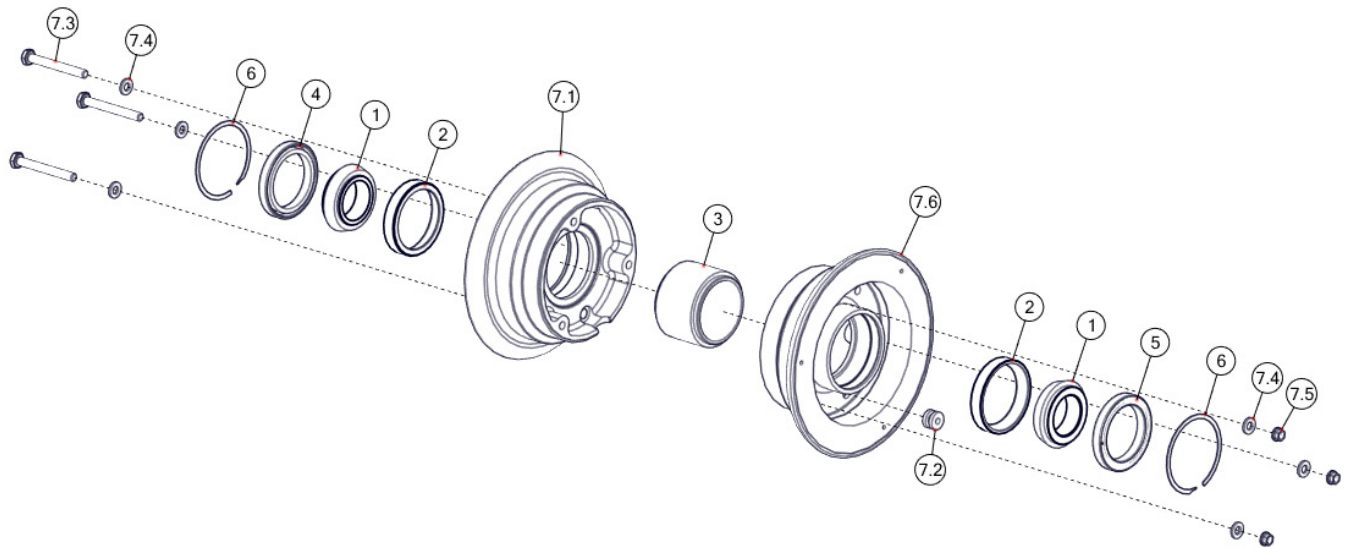


6A06000-011 NOSE FORK AND PIVOT ASSEMBLY

ITEM	QTY	PART NO.	PART DESCRIPTION
1	2	1095K41	GREASE ZERK
2	2	215-125-0750	PIN
3	1	3A06037-001	CAP, PIVOT BLOCK
4	1	3A06525-002	SPRING
5	1	3A06602-001	WASHER, THRUST
6	1	6A06000-005	ASSEMBLY, NOSE WHEEL, MODIFIED
6.1	1	1003233	ASSEMBLY, NOSE WHEEL WITHOUT TIRE
6.2	1	AA1D4*	TIRE
6.3	1	XA1AC*	TUBE
7	1	6A06000-006	ASSEMBLY, YOKE (SOLD AS ASSEMBLY ONLY)
8	1	6A06196-002	PLATE, BEARING, LOWER, NOSE SPRING
9	1	6A06199-003	LEG, NOSE WHEEL FORK, LEFT
10	1	6A06199-004	LEG, NOSE WHEEL FORK, RIGHT
11	1	6A06202-001	BLOCK, ATTACH, TOWING
12	1	6A06265-001	AXLE, NOSE WHEEL
13	2	6A06268-002	SPACER
14	1	6A06312-001	PIVOT BLOCK, NOSE GEAR
15	1	6A06512-002	RETAINER, NOSE GEAR PIVOT
16	1	6A06625-001	SPRING, NOSE GEAR
17	1	AN4-25A	BOLT
18	4	AN6-21A	BOLT
19	2	AN6-37A	BOLT
20	2	MS16997-60	BOLT
21	2	MS16997-77	SCREW
22	1	MS21044N4	NUT
23	1	MS21025-20	NUT, AXLE
24	6	MS21044N6	NUT
25	1	MS24665-349	COTTER PIN
26	2	MS28775-218	O-RING
27	2	MS35333-40	STAR WASHER
28	2	NAS1149F0463P	WASHER
29	4	NAS1149F0632P	WASHER
30	8	NAS1149F0663P	WASHER

* Any alternate tire (tube type) which is TSO-approved, matches the listed tire's dimensions, and meets its speed/load/ply ratings may be used. Equivalent tubes may also be used.

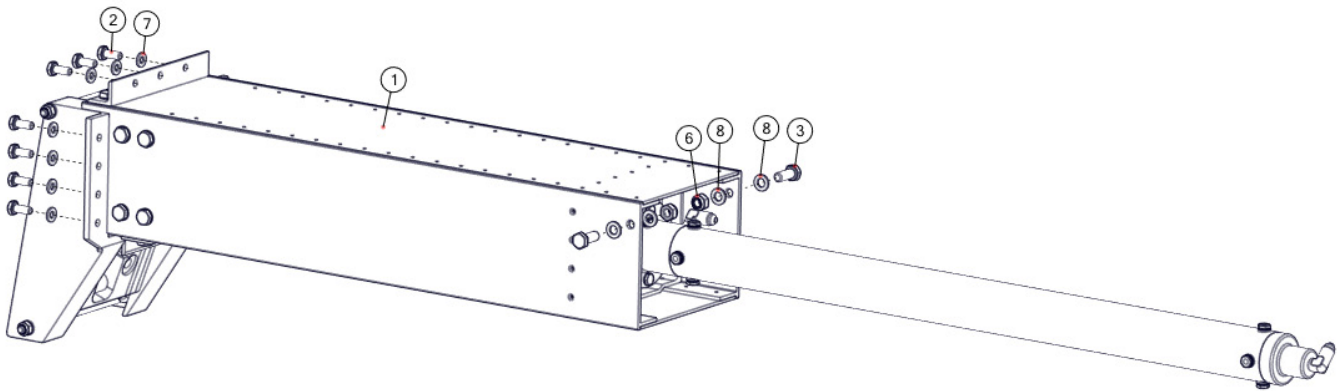
1003233 ASSEMBLY, NOSE WHEEL WITHOUT TIRE



1003233 ASSEMBLY, NOSE WHEEL WITHOUT TIRE

ITEM	QTY	PART NO.	PART DESCRIPTION
1	2	08125	BEARING, STL, TIMKEN, 40-87H
2	2	08231	CUP, BEARING, TIMKEN, 40-87H
3	1	1003232	RETAINER, GREASE, NOSE WHEEL
4	1	1003547	SEAL, BEARING, WHEEL, INBOARD
5	1	1003548	SEAL, NOSE WHEEL, OUTBOARD
6	2	155-00200	SNAP RING
7	1	40-87H	WHEEL ASSEMBLY
7.1	1	161-04101	WHEEL HALF ASSEMBLY, INNER
7.2	1	217-00100	GROMMET
7.3	3	AN4-22A	BOLT
7.4	6	NAS1149F0463P	WASHER
7.5	3	NAS21042-4	NUT
7.6	1	162-03901	WHEEL HALF ASSEMBLY, OUTER

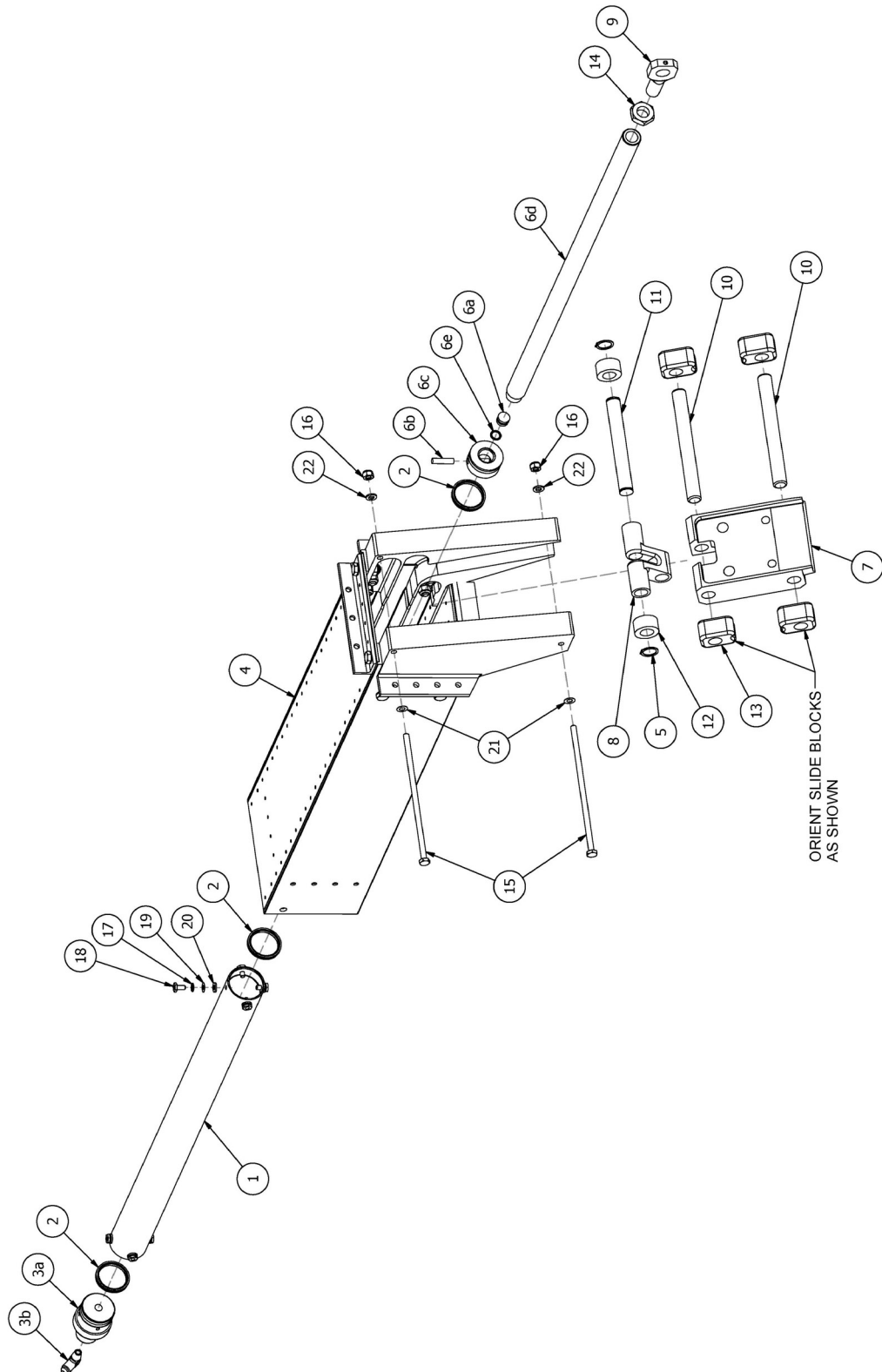
NOSE GEAR ASSEMBLY DETAIL A - NOSE BOX AND ACTUATOR COMPONENTS



NOSE GEAR ASSEMBLY DETAIL A - NOSE BOX AND ACTUATOR COMPONENTS

ITEM	QTY	PART NO.	PART DESCRIPTION
1	1	1002636	ASSEMBLY, NOSE GEAR ACTUATOR
2	11	AN4-5A	BOLT
3	2	AN5-6A	BOLT
4	2	AN6-25A	BOLT
5	2	AN8-27A	BOLT
6	2	MS21044N5	NUT
7	11	NAS1149D0463J	WASHER
8	4	NAS1149D0563J	WASHER

1002636 ASSEMBLY, NOSE GEAR ACTUATOR

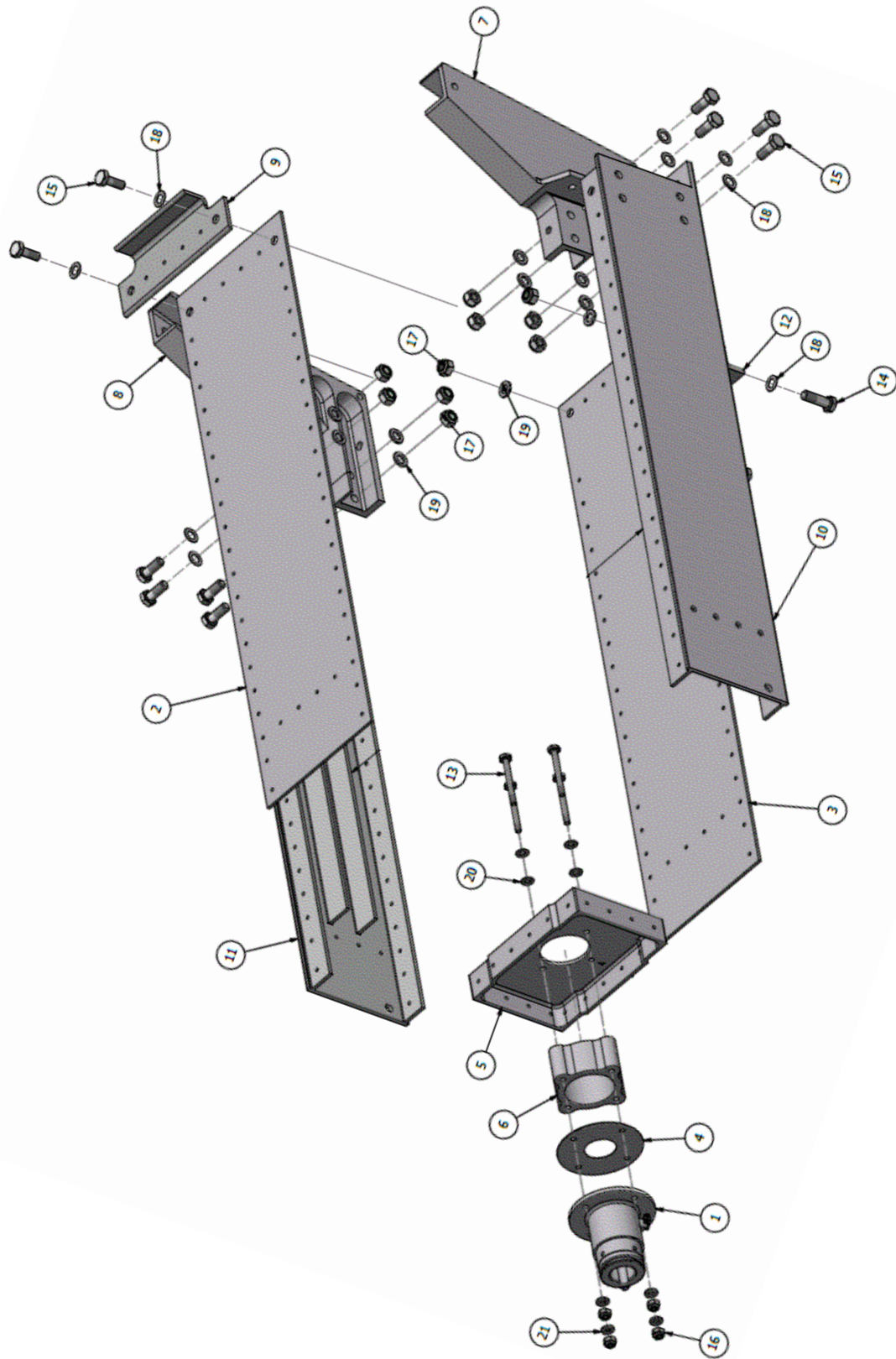


1002636 ASSEMBLY, NOSE GEAR ACTUATOR

ITEM	QTY	PART NO.	PART DESCRIPTION
1	1	1002024	CYLINDER, RAM, NOSE
2	3	1002229	PISTON, T-SEAL
3*	1	1002236	ASSEMBLY, CYLINDER END CAP
3a	1	1002011	END, CAP, HYDRAULIC CYLINDER
3b	1	MS20822-4D	FITTING, ELBOW
4	1	1002635	ASSEMBLY, NOSE BOX
5	2	5100-62H	SNAP RING
6*	1	6A07000-008	ASSEMBLY, RAM, NOSE GEAR
6a	1	13A07279-001	PLUG, RAM NOSE GEAR
6b	1	3A05701-001	MAGNET, HOOK LATCH, MAIN GEAR
6c	1	6A05545-001	PISTON, RAM, MAIN GEAR
6d	1	6A07482-001	SHAFT, RAM, NOSE GEAR
6e	1	MS28775-012	O-RING
7	1	6A07199-002	TROLLEY, NOSE GEAR
8	1	6A07204-001	LINK, NOSE GEAR
9	1	6A07263-001	ROD END, NOSE GEAR RAM
10	2	6A07534-001	AXLE, TROLLEY, NOSE GEAR
11	1	6A07534-002	AXLE, LINK, NOSE GEAR
12	2	6A07544-001	ROLLER, TRACK, NOSE GEAR
13	4	6A07603-001	BLOCK, SLIDE, TROLLEY, NOSE GEAR
14	1	AN316-10R	NUT
15	2	AN4-65A	BOLT
16	2	MS21044N4	NUT
17	8	MS35333-39	STAR WASHER
18	8	NAS1103-2	BOLT
19	8	NAS1149D0316J	WASHER
20	8	NAS1149D0363J	WASHER
21	2	NAS1149D0416J	WASHER
22	2	NAS1149D0463J	WASHER

*See [Nomenclature System](#) section when ordering assemblies

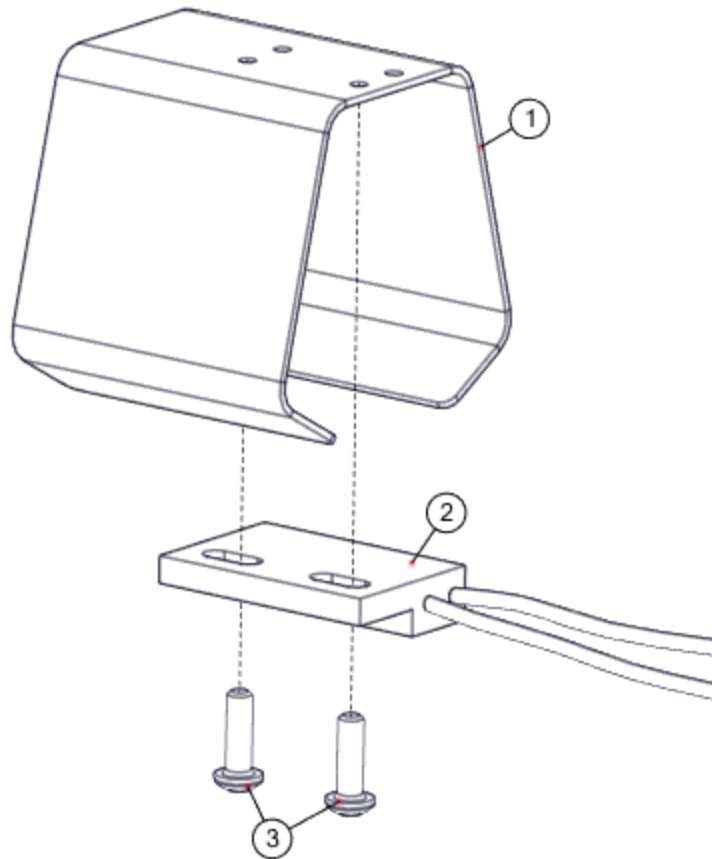
1002635 ASSEMBLY, NOSE BOX



1002635 ASSEMBLY, NOSE BOX

ITEM	QTY	PART NO.	PART DESCRIPTION
1	1	1002237	ASSEMBLY CYLINDER FLANGE
1.1	1	1002013	FLANGE - CYLINDER NOSE GEAR RAM
1.2	2	1002230	ROD, T-SEAL
1.3	1	6A07580-005	WIPER, NOSE GEAR ACTR, 10000, 13
1.4	1	8880510	WIPER
1.5	1	MS20822-4D	FITTING, ELBOW
1.6	1	1205K12	OILER
2	1	6A07156-022	SKIN, NOSE BOX, BOTTOM
3	1	6A07156-023	SKIN, NOSE BOX, TOP
4	1	6A07158-129	PLATE, FLANGE
5	1	6A07210-001	END CAP, NOSE BOX
6	1	6A07264-003	SPACER, FLANGE CYLINDER NOSE GEAR RAM
7	1	6A07337-001	TRACK, END, NOSE GEAR, LEFT
8	1	6A07337-002	TRACK, END, NOSE GEAR, RIGHT
9	1	6A07357-036	ANGLE, NOSE BOX, BOTTOM
10	1	6A07364-001	SIDE, TRACK, NOSE GEAR, LEFT
11	1	6A07364-002	SIDE, TRACK, NOSE GEAR, RIGHT
12	1	6A07427-003	ANGLE, NOSE BOX, TOP
13	4	AN3-17A	BOLT
14	2	AN5-10A	BOLT, 5/16-24, 0.5625 GRIP, UNDRILLED, STEEL
15	10	AN5-6A	BOLT, 5/16-24, 0.3125 GRIP, UNDRILLED, STEEL
16	4	MS21044N3	NUT, LOCKING, REGULAR HEIGHT, 10-32 UNF
17	10	MS21044N5	NUT, LOCKING, REGULAR HEIGHT, 5/16-24 UNF
18	12	NAS1149D0516J	WASHER, 0.328 ID, 0.016 THK, ALUMINUM
19	10	NAS1149D0563J	WASHER, 0.328 ID, 0.063 THK, ALUMINUM
20	4	NAS1149F0332P	WASHER, 0.203 ID, 0.032 THK, STEEL
21	4	NAS1149F0363P	WASHER, 0.203 ID, 0.063 THK, STEEL

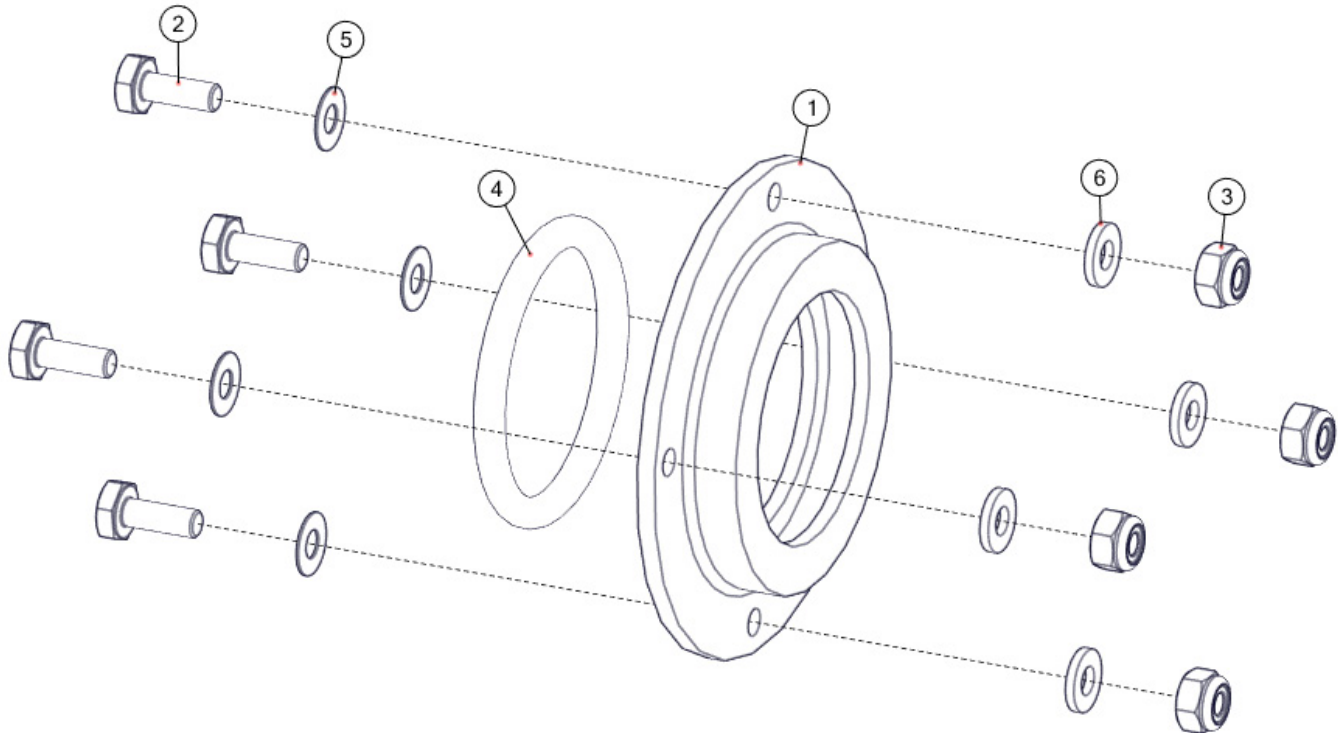
NOSE GEAR ASSEMBLY DETAIL B - NOSE GEAR MAGNET SWITCH COMPONENTS



NOSE GEAR ASSEMBLY DETAIL B - NOSE GEAR MAGNET SWITCH COMPONENTS

ITEM	QTY	PART NO.	PART DESCRIPTION
1	1	3A07005-178	CLIP, SWITCH
2	1	5801	MAGNET SWITCH
3	2	MS35206-215	SCREW

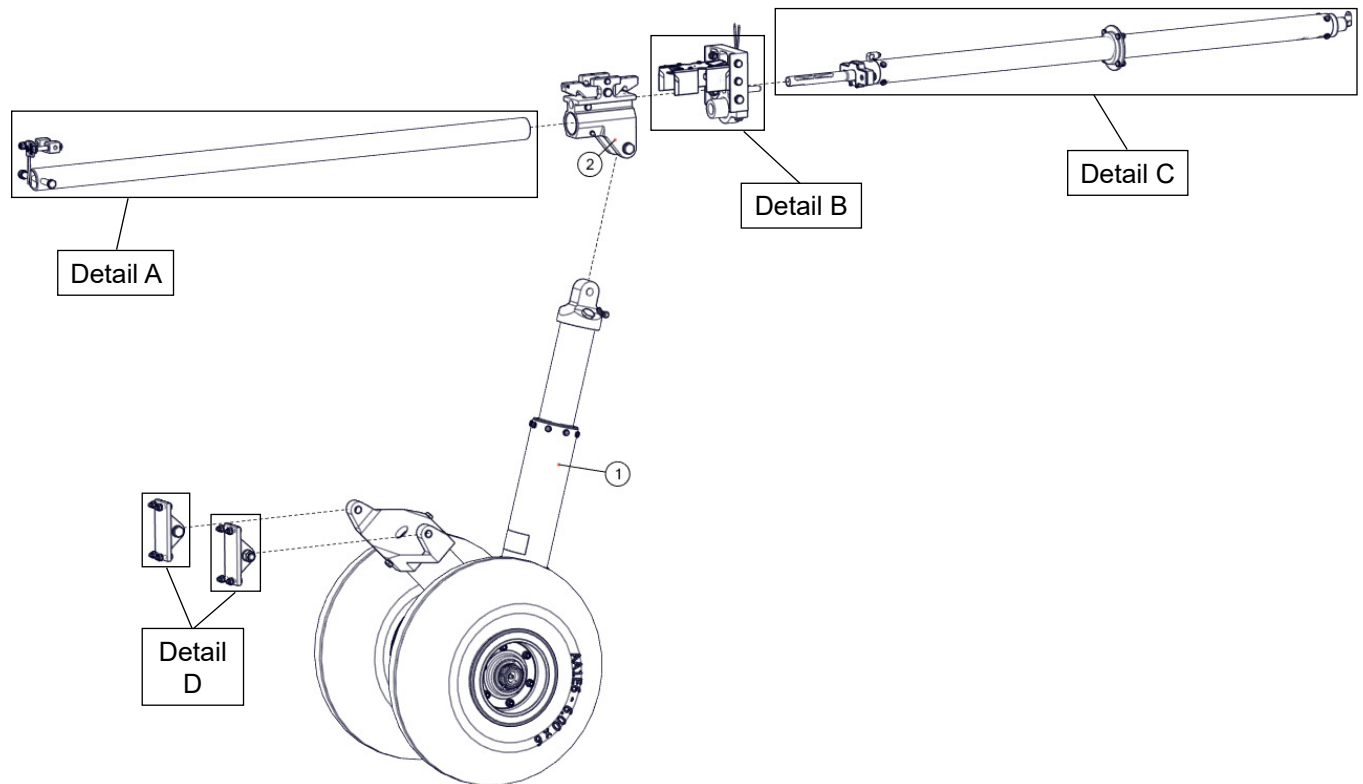
NOSE GEAR ASSEMBLY DETAIL C - NOSE GEAR RETAINING RING COMPONENTS



NOSE GEAR ASSEMBLY DETAIL C - NOSE GEAR RETAINING RING COMPONENTS

ITEM	QTY	PART NO.	PART DESCRIPTION
1	1	6A05181-001	RETAINING RING, MAIN GEAR RAM CYLINDER
2	4	AN3-4A	BOLT
3	4	MS21044N3	NUT
4	1	MS28775-327	O-RING
5	4	NAS1149D0316J	WASHER
6	4	NAS1149D0363J	WASHER

MAIN GEAR ASSEMBLY, LEFT AND RIGHT FLOATS

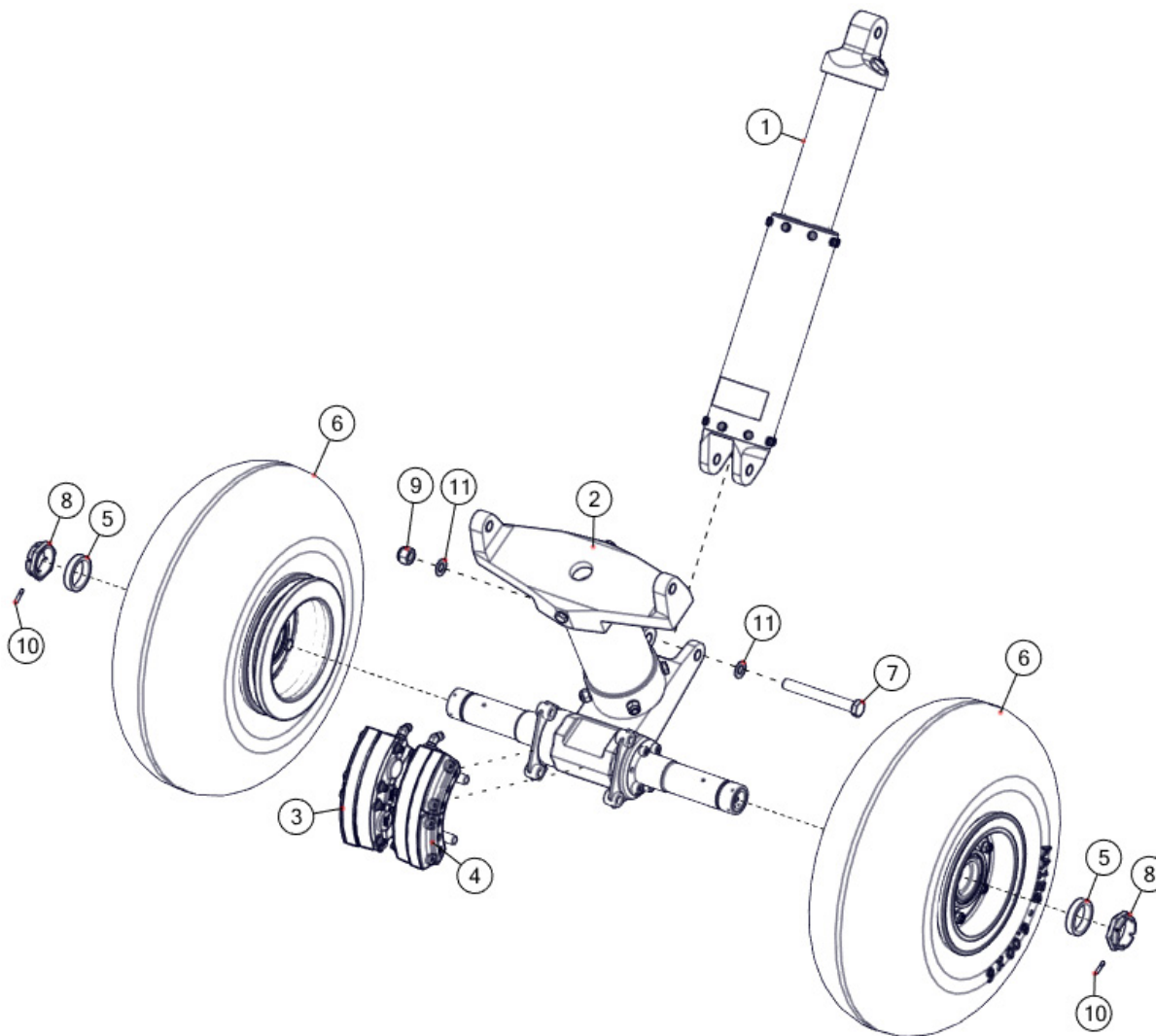


MAIN GEAR ASSEMBLY, LEFT AND RIGHT FLOATS

ITEM	QTY	PART NO.	PART DESCRIPTION
1	1	6A04000-013	ASSEMBLY, MAIN GEAR
2	1	1002643	ASSEMBLY, CARRIAGE
Detail A	1	-	SLIDE TUBE COMPONENTS
Detail B	1	-	SLIDE TUBE HOUSING COMPONENTS
Detail C	1	-	MAIN GEAR CYLINDER COMPONENTS
Detail D	2	-	TRUNNION COMPONENTS

*See [Detailed Views](#) section for Detailed Views explanation

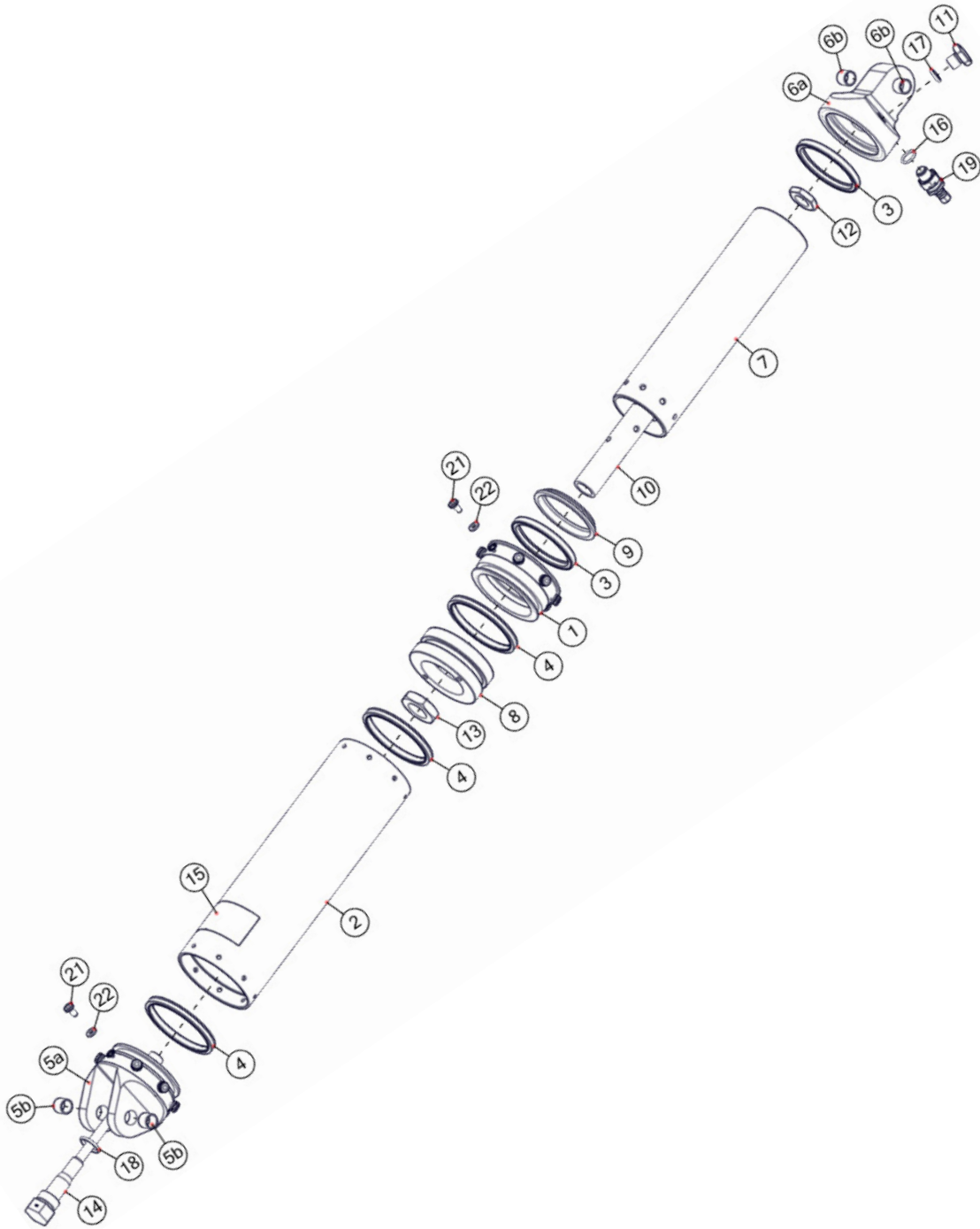
6A04000-013 ASSEMBLY, MAIN GEAR



6A04000-013 ASSEMBLY, MAIN GEAR

ITEM	QTY	PART NO.	PART DESCRIPTION
1	1	1002068	ASSEMBLY, SHOCK STRUT
2	1	6A04000-015	ASSEMBLY, MAIN GEAR AXLE
3	1	6A04000-104	ASSEMBLY, BRAKE CALIPER, RIGHT
4	1	6A04000-105	ASSEMBLY, BRAKE CALIPER, LEFT
5	2	6A04093-002	AXLE SPACER, MAIN WHEEL
6	2	8A04000-031	ASSEMBLY, MAIN WHEEL, WITH TIRE AND TUBE
7	1	AN8-42A	BOLT
8	2	MS21025-24	NUT, AXLE
9	1	MS21044N8	NUT
10	2	MS24665-349	COTTER PIN
11	2	NAS1149D0863J	WASHER

1002068 ASSEMBLY, SHOCK STRUT

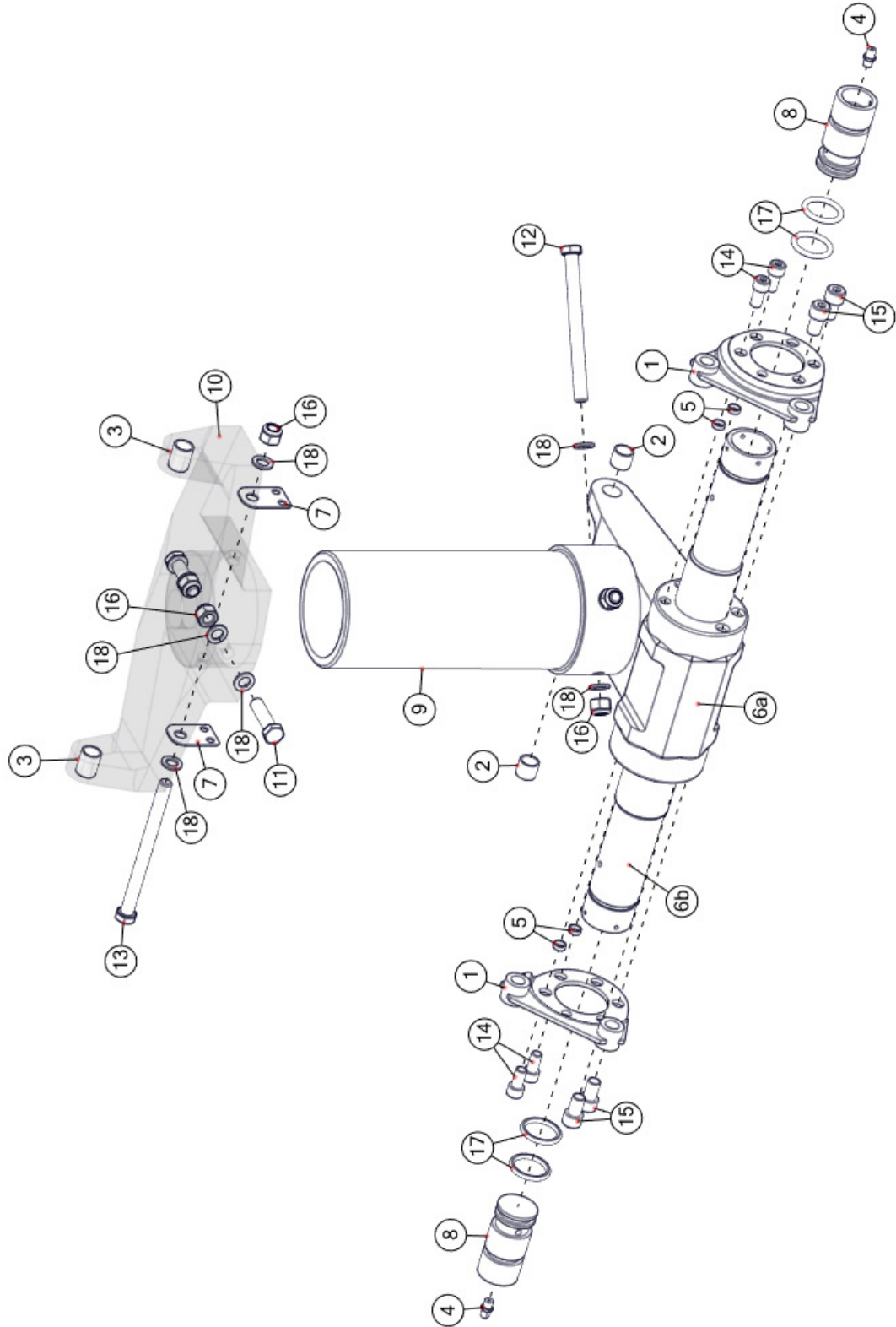


1002068 ASSEMBLY, SHOCK STRUT

ITEM	QTY	PART NO.	PART DESCRIPTION
1	1	1002017	GLAND, SHOCK STRUT
2	1	1002018	OUTER CYLINDER, SHOCK STRUT
3	2	1002027	T-SEAL
4	3	1002028	T-SEAL
5*	1	1002650	END CAP, ASSEMBLY, OUTER CYLINDER, SHOCK STRUT
5a	2	1002016	END CAP, OUTER CYLINDER, SHOCK STRUT
5b	1	08DU08	BUSHING
6*	1	1002651	CAP, TOP, ASSEMBLY, SHOCK STRUT
6a	1	1002015	CAP, TOP, SHOCK STRUT
6b	2	08DU08	BUSHING
7	1	1002653	CYLINDER, INNER, SHOCK STRUT
8	1	1002654	PISTON, SHOCK STRUT
9	1	1009966	WIPER, SHOCK STRUT, T-SEAL
10	1	6A04270-001	ROD, PISTON, SHOCK STRUT
11	1	6A04271-003	PLUG, SHOCK STRUT
12	1	6A04275-001	NET, CHECK, SHOCK STRUT
13	1	6A04276-001	NUT, CHECK, SHOCK STRUT
14	1	6P04261-007	PIN, METERING
15	1	8A3-5086	PLACARD, HYDRAULIC CYLINDER
16	1	MS28775-015	O-RING
17	1	MS28775-111	O-RING
18	1	MS28775-116	O- RING
19	1	MS28889-2	VALVE
20	16	MS35333-39	WASHER
21	16	NAS1103-2	BOLT
22	16	NAS1149D0363J	WASHER

*See [Nomenclature System](#) section when ordering assemblies

6A04000-015 ASSEMBLY, MAIN GEAR AXLE

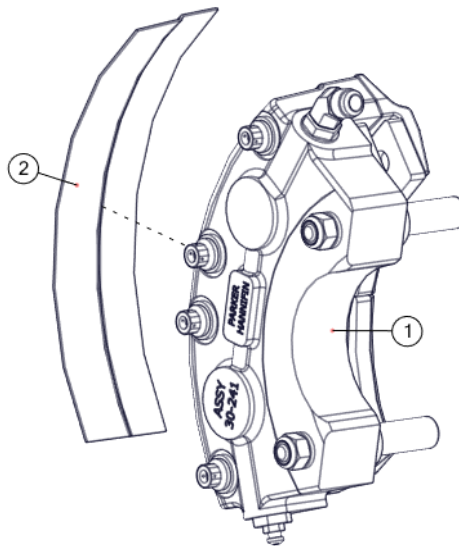


6A04000-015 ASSEMBLY, MAIN GEAR AXLE

ITEM	QTY	PART NO.	PART DESCRIPTION
1	2	075-20700	TORQUE PLATE
2	2	08DU08	BUSHING
3	2	08DU12	BUSHING
4	2	1095K41	GREASE ZERK
5	4	30A04523-002	BUSHING, TORQUE PLATE
6*	1	6A04000-016	ASSEMBLY, AXLE
6a	1	6A04307-001	FITTING, AXLE, MAIN GEAR (not sold seperately)
6b	1	6A04510-001	AXLE, MAIN WHEEL (not sold seperately)
7	2	6A04008-024	CLIP, BRAKE LINE
8	2	6A04263-003	INSERT, GREASE WHEEL
9	1	6A04297-001	TUBE, MAIN GEAR, DRAG BRACE
10	1	6A04311-001	DRAG BRACE
11	2	AN6-13A	BOLT
12	2	AN6-43A	BOLT
13	1	AN6-46A	BOLT
14	4	MS16997-77	SCREW
15	4	MS16997-96	SCREW
16	5	MS21044N6	NUT
17	4	MS28775-214	O-RING
18	10	NAS1149D0663J	WASHER

*See [Nomenclature System](#) section when ordering assemblies

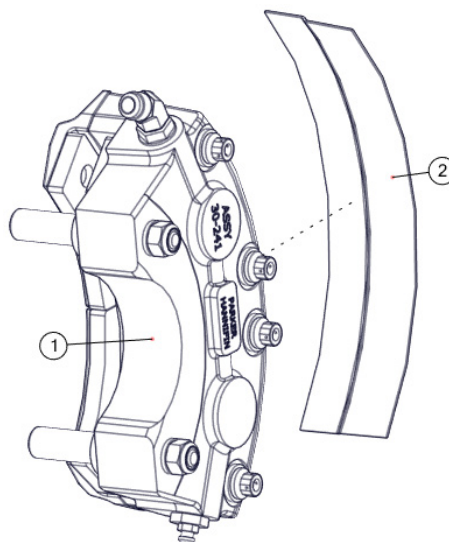
ASSEMBLY, BRAKE CALIPER, RIGHT INSTALLED



6A04000-104 ASSEMBLY, BRAKE CALIPER, RIGHT

ITEM	QTY	PART NO.	PART DESCRIPTION
1	1	091-21600	BRAKE CALIPER, PARKER
2	1	6A04561-001	FILM, BRAKE CALIPER SURFACE PROTECTOR

ASSEMBLY, BRAKE CALIPER, LEFT INSTALLED

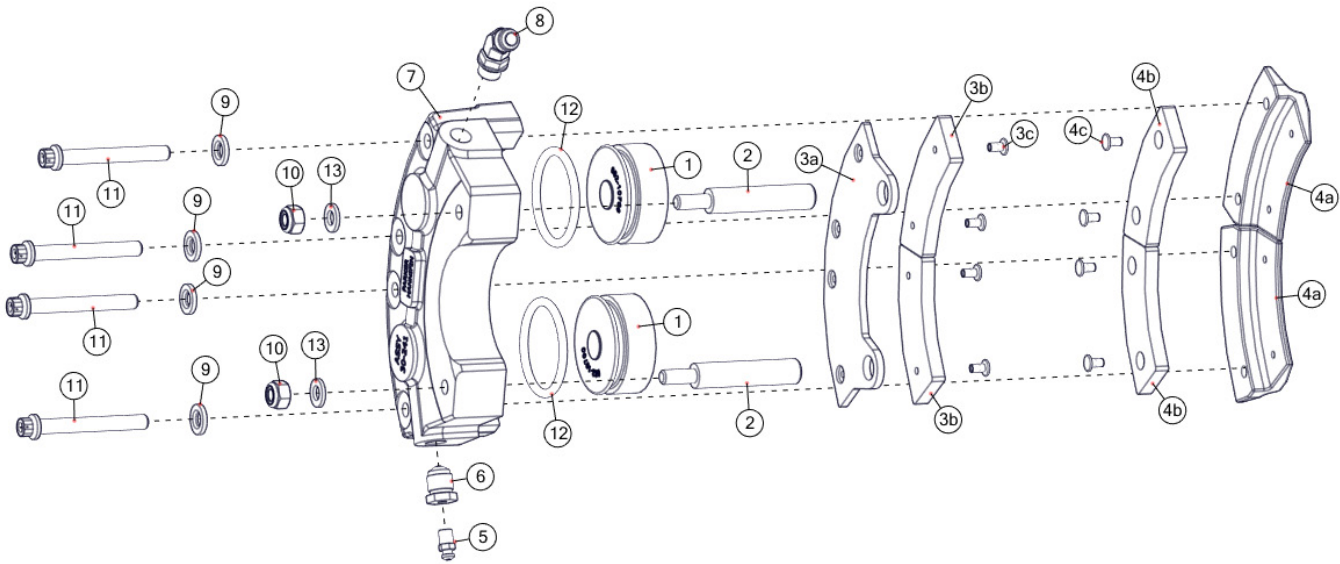


6A04000-105 ASSEMBLY, BRAKE CALIPER, LEFT

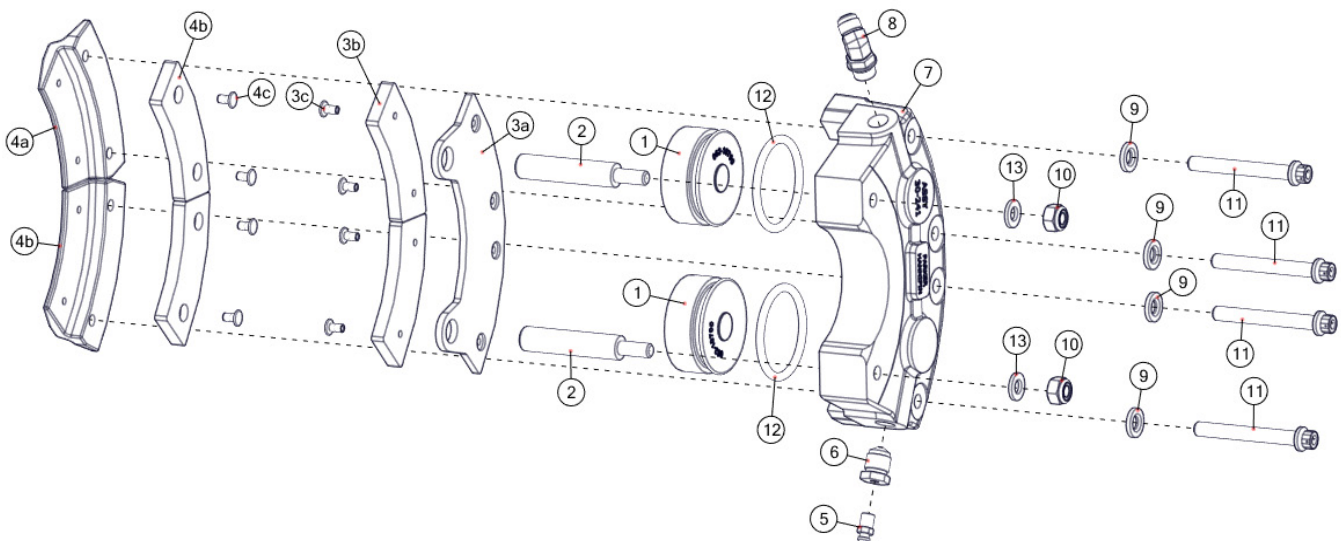
ITEM	QTY	PART NO.	PART DESCRIPTION
1	1	091-21600	BRAKE CALIPER, PARKER
2	1	6A04561-001	FILM, BRAKE CALIPER SURFACE PROTECTOR

091-21600 ASSEMBLY, BRAKE CALIPER, PARKER

RIGHT INSTALLED



LEFT INSTALLED

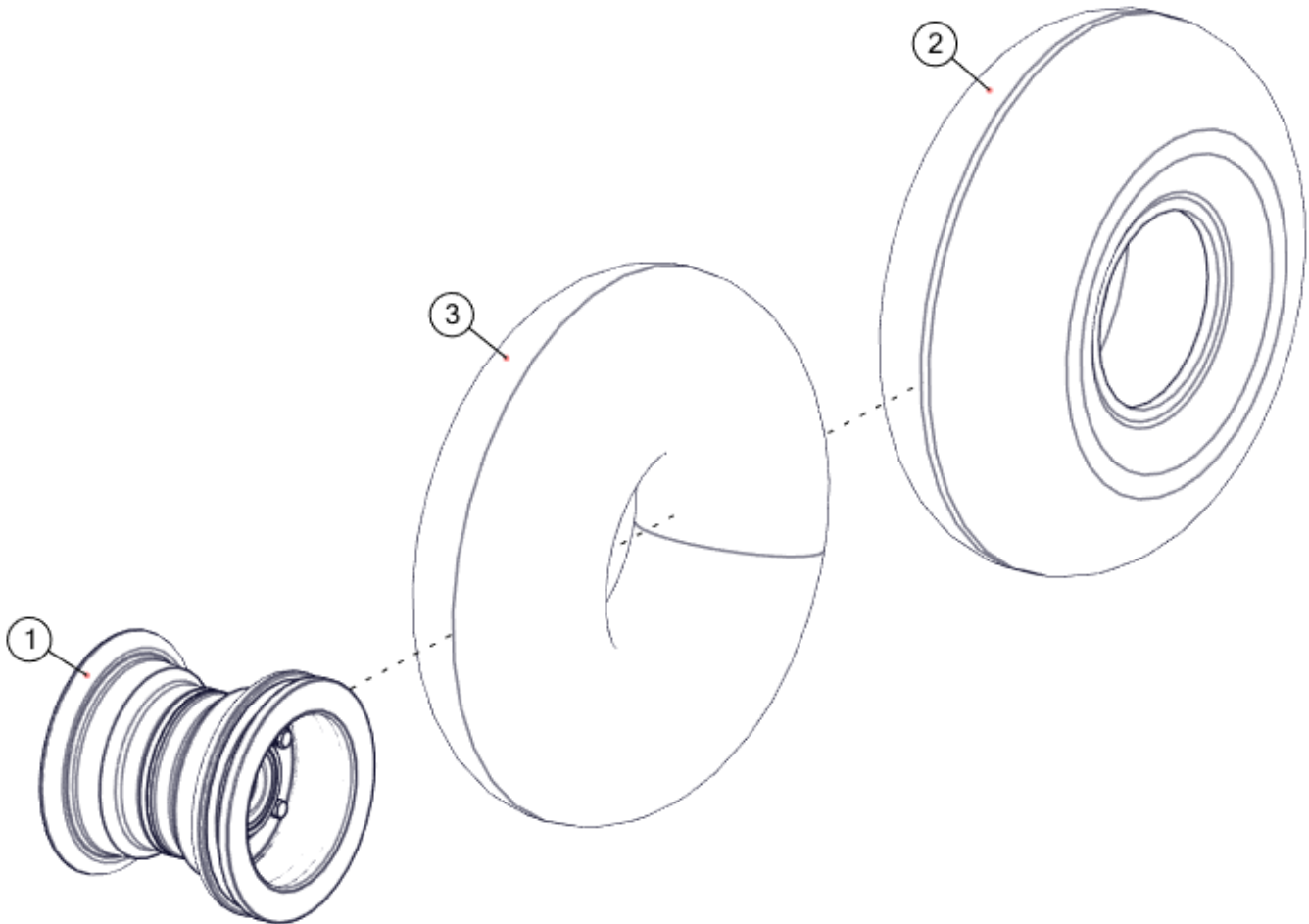


091-21600 ASSEMBLY, BRAKE CALIPER, PARKER

ITEM	QTY	PART NO.	PART DESCRIPTION
1	1	062-10700	PISTON
2	1	069-03100	BOLT, ANCHOR
3*	1	073-04200	ASSEMBLY, PRESSURE PLATE
3a	1	063-01100	PRESSURE PLATE
3b	2	066-10500	BRAKE LINING, 30-241
3c	4	105-00200	RIVET, BRAKE PAD
4*		074-02900	ASSEMBLY, BACK PLATE
4a		064-01500	BACK PLATE
4b		066-10500	BRAKE LINING, 30-241
4c		105-00200	RIVET, BRAKE PAD
5		079-00300	SCREW BLEEDER
6		081-00200	SEAT BLEEDER
7		061-16600	CYLINDER
8		104-04700	FITTING
9		MS20002C4	WASHER
10		MS21044N4	NUT
11		MS21250H04026	BOLT
12		MS28775-222	O-RING
13		NAS1149F0463P	WASHER

*See [Nomenclature System](#) section when ordering assemblies

8A04000-031 ASSEMBLY, MAIN WHEEL, WITH TIRE AND TUBE

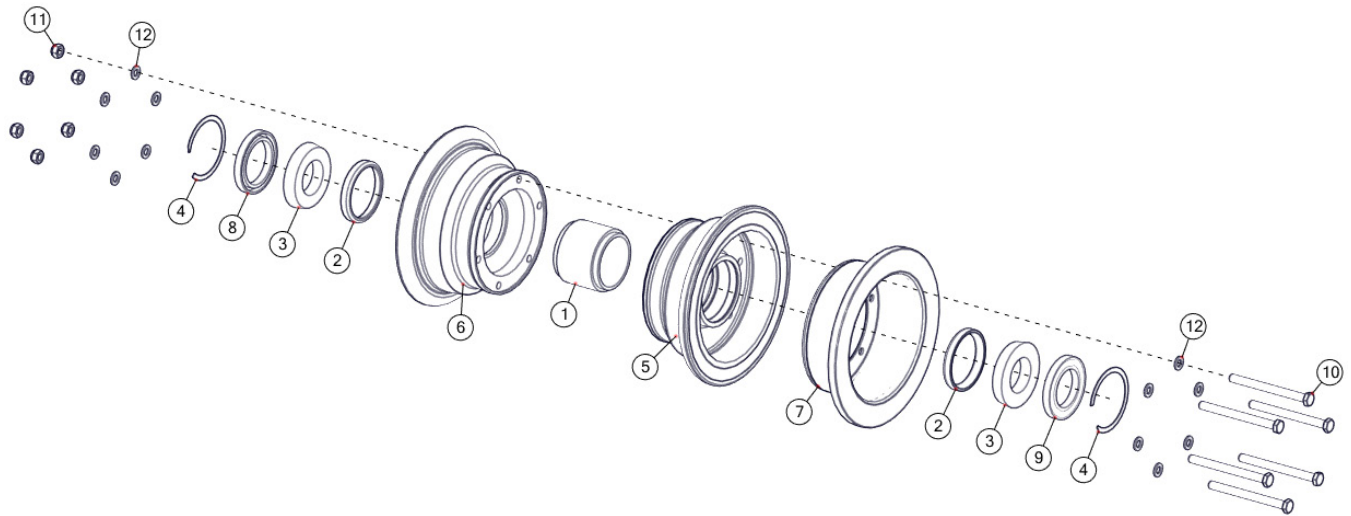


8A04000-031 ASSEMBLY, MAIN WHEEL, WITH TIRE AND TUBE

ITEM	QTY	PART NO.	PART DESCRIPTION
1	1	40-418-3	ASSEMBLY, MAIN WHEEL (NAMEPLATE READS "40-418B")
	1	40-418 (ALT)	ASSEMBLY, MAIN WHEEL (ALTERNATE, NAMEPLATE READS "40-418")
2	1	AA1E6*	TIRE
3	1	XA1AD*	TUBE

* Any alternate tire (tube type) which is TSO-approved, matches the listed tire's dimensions, and meets its speed/load/ply ratings may be used. Equivalent tubes may also be used.

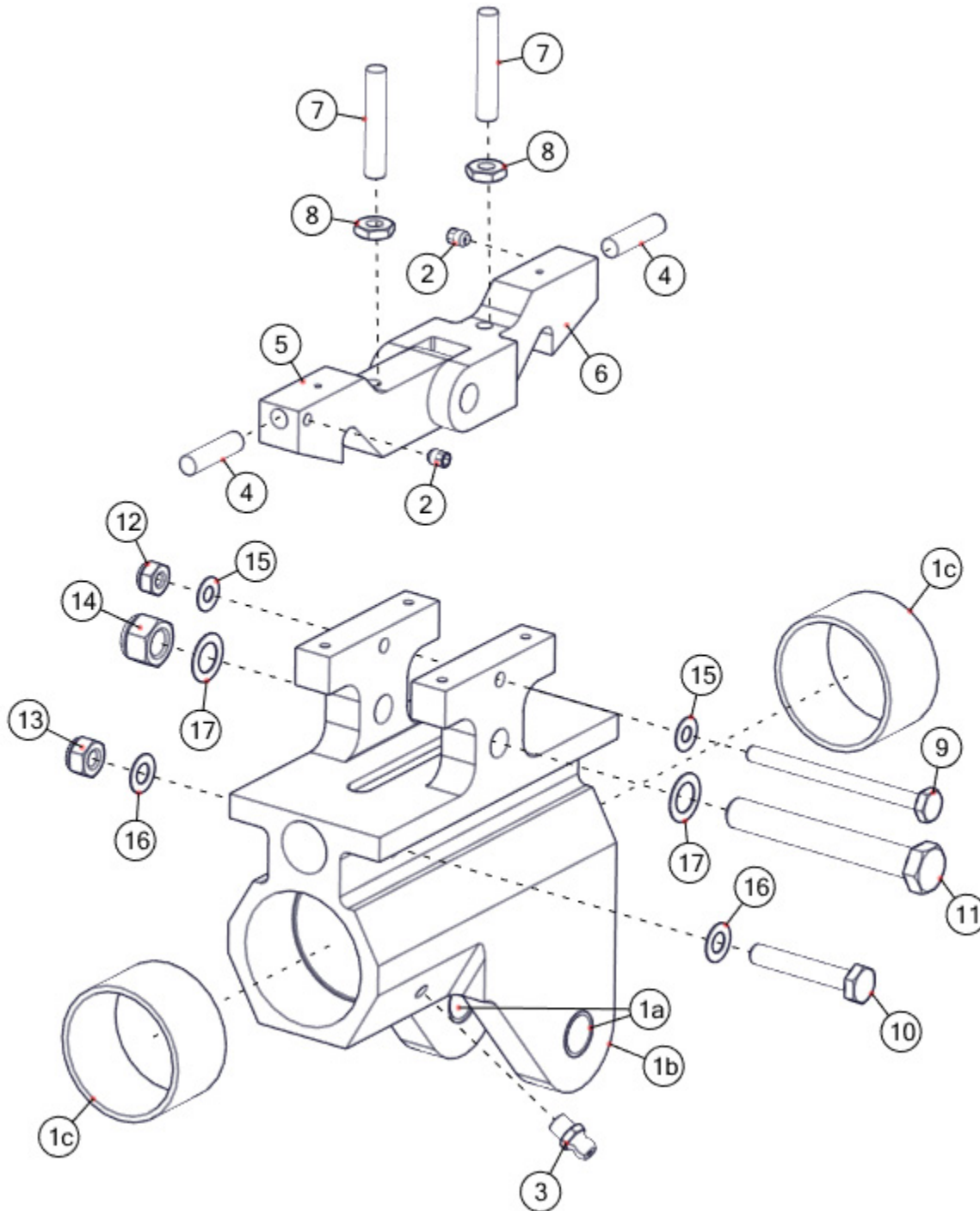
40-418-3 OR 40-418 ASSEMBLY, MAIN WHEEL



40-418-3 or 40-418 ASSEMBLY, MAIN WHEEL

ITEM	QTY	PART NO.	PART DESCRIPTION
1	1	067-14700	GREASE RETAINER
2	2	13836	BEARING CUP, NON-CHROME (ORIG EQUIP FOR 40-418-3)
	2	13836CP	BEARING CUP, CHROME (ORIG EQUIP FOR 40-418)
3	2	13889	BEARING CONE, NON-CHROME (ORIG EQUIP FOR 40-418-3)
	2	13889CP	BEARING CONE, CHROME (ORIG EQUIP FOR 40-418)
4	2	155-14300	SNAP RING
5	1	161-19900	WHEEL HALF, INNER (REF, NOT SOLD INDIVIDUALLY)
6	1	162-19900	WHEEL HALF, OUTER (REF, NOT SOLD INDIVIDUALLY)
7	1	164-24500	BRAKE DISC, NON-CHROME (ORIG EQUIP FOR 40-418)
	1	164-24501	BRAKE DISC, CHROME PLATED (ORIG EQUIP FOR 40-418-3)
8	1	472439	SEAL, OUTBOARD (#50 HOLE REQUIRED BEFORE INST.)
9	1	473232	SEAL, INBOARD
10	6	AN5-35A	BOLT
11	6	MS21044N5	NUT
12	12	NAS1149D0563J	WASHER

1002643 ASSEMBLY, CARRIAGE



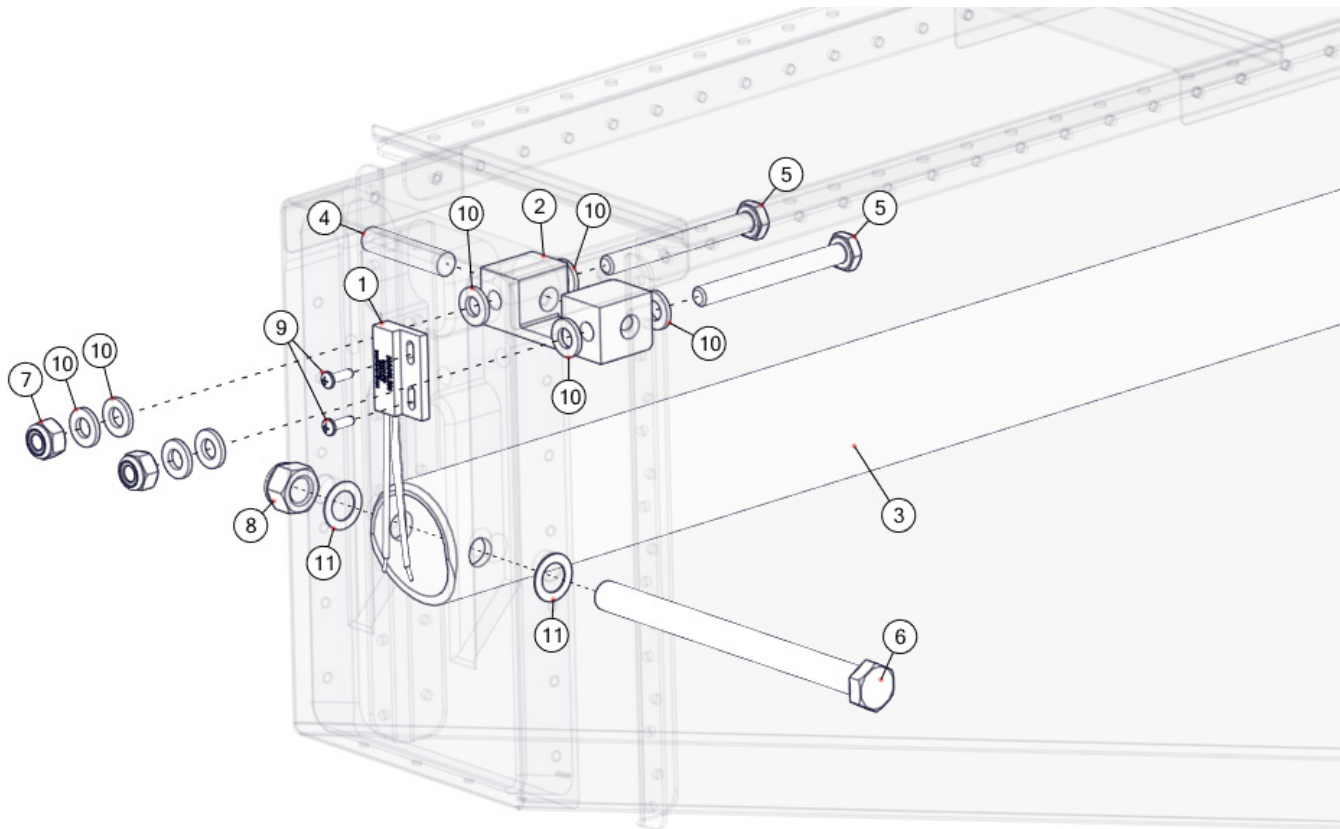
PARTS MANUAL FOR RIVETED
 WIPLINE MODEL 6100 AMPHIBIAN FLOATS SERIAL NUMBERS 61500 AND UP

1002643 ASSEMBLY, CARRIAGE

ITEM	QTY	PART NO.	PART DESCRIPTION
1*	1	1002642	ASSEMBLY, CARRIAGE, WITH BUSHINGS
1a	2	08DU08	BUSHING
1b	1	1002621	CARRIAGE, MAIN GEAR
1c	2	26DU16	BUSHING
2	2	1032 NF X 3/16	SET SCREW
3	1	1095K41	GREASE FITTING
4	2	3A05701-001	MAGNET, HOOK LATCH, MAIN GEAR
5	1	6A05041-001	LOCK, MAIN, FORWARD
6	1	6A05042-001	HOOK, MAIN GEAR LOCK
7	2	6A05087-001	SCREW, ADJUSTING, MAIN GEAR LOCK
8	1	AN3-25A	BOLT
9	2	AN316-4R	NUT
10	1	AN4-14A	BOLT
11	1	AN6-26A	BOLT
12	1	MS21044N3	NUT
13	1	MS21044N4	NUT
14	1	MS21044N6	NUT
15	2	NAS1149D0316J	WASHER
16	2	NAS1149D0416J	WASHER
17	1	NAS1149D0616J	WASHER

*See [Nomenclature System](#) section when ordering assemblies

MAIN GEAR ASSEMBLY DETAIL A SLIDE TUBE COMPONENTS

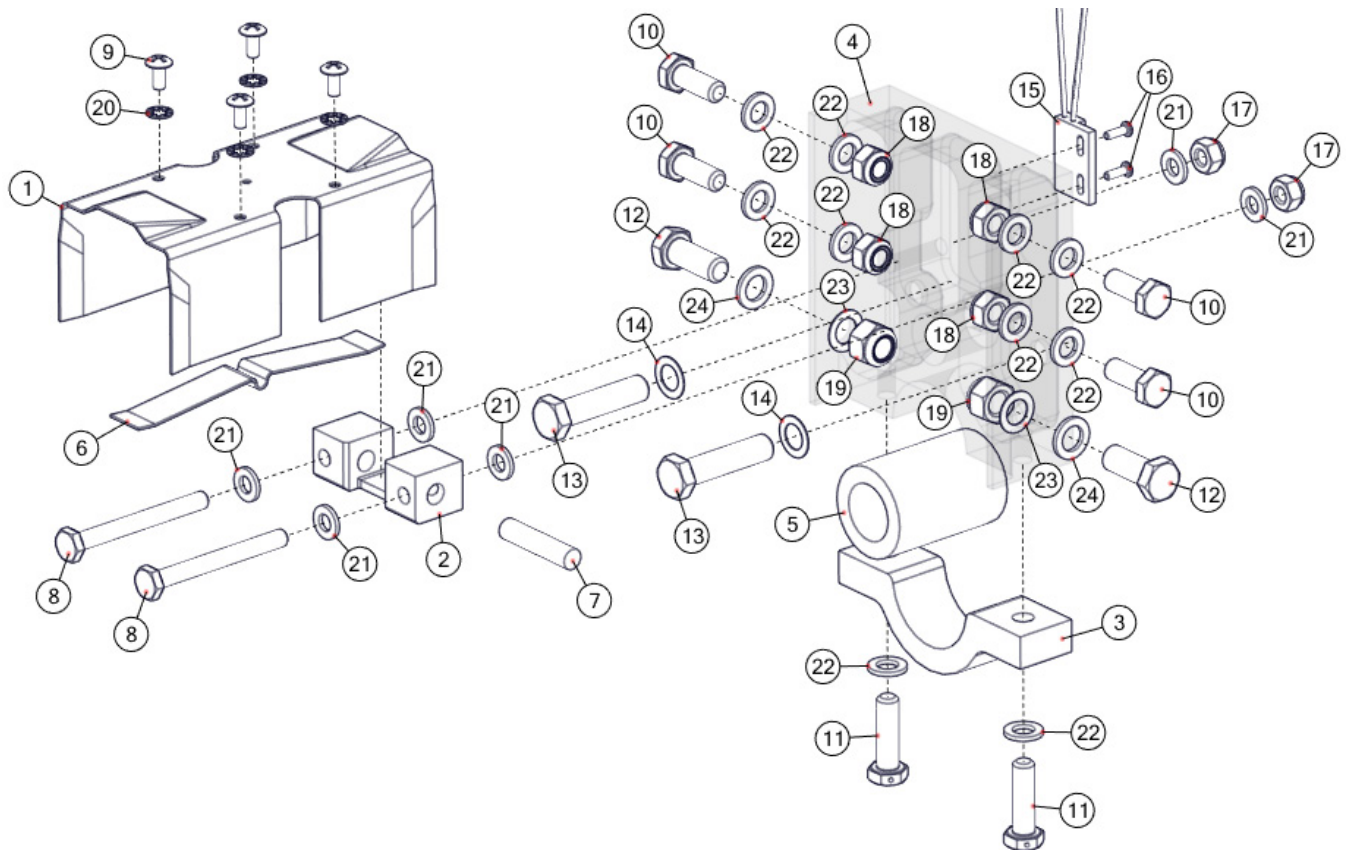


MAIN GEAR ASSEMBLY DETAIL A SLIDE TUBE COMPONENTS

ITEM	QTY	PART NO.	PART DESCRIPTION
1	1	5801	MAGNET SWITCH
2	1	6A05193-001	HOOK PIN, HOLDER
3	1	6A05402-003	TUBE, SLIDE, MAIN GEAR, CARRIAGE
4	1	6A05702-008	PIN, MAIN GEAR LOCK
5	2	AN4-23A	BOLT
6	1	AN6-47A	BOLT
7	2	MS21044N4	NUT
8	1	MS21044N6	NUT
9	2	MS35206-215	SCREW
10	8	NAS1149D0463J	WASHER
11	2	NAS1149D0663J	WASHER

*See [Detailed Views](#) section for Detailed Views explanation

MAIN GEAR ASSEMBLY DETAIL B SLIDE TUBE HOUSING COMPONENTS



MAIN GEAR ASSEMBLY DETAIL B SLIDE TUBE HOUSING COMPONENTS

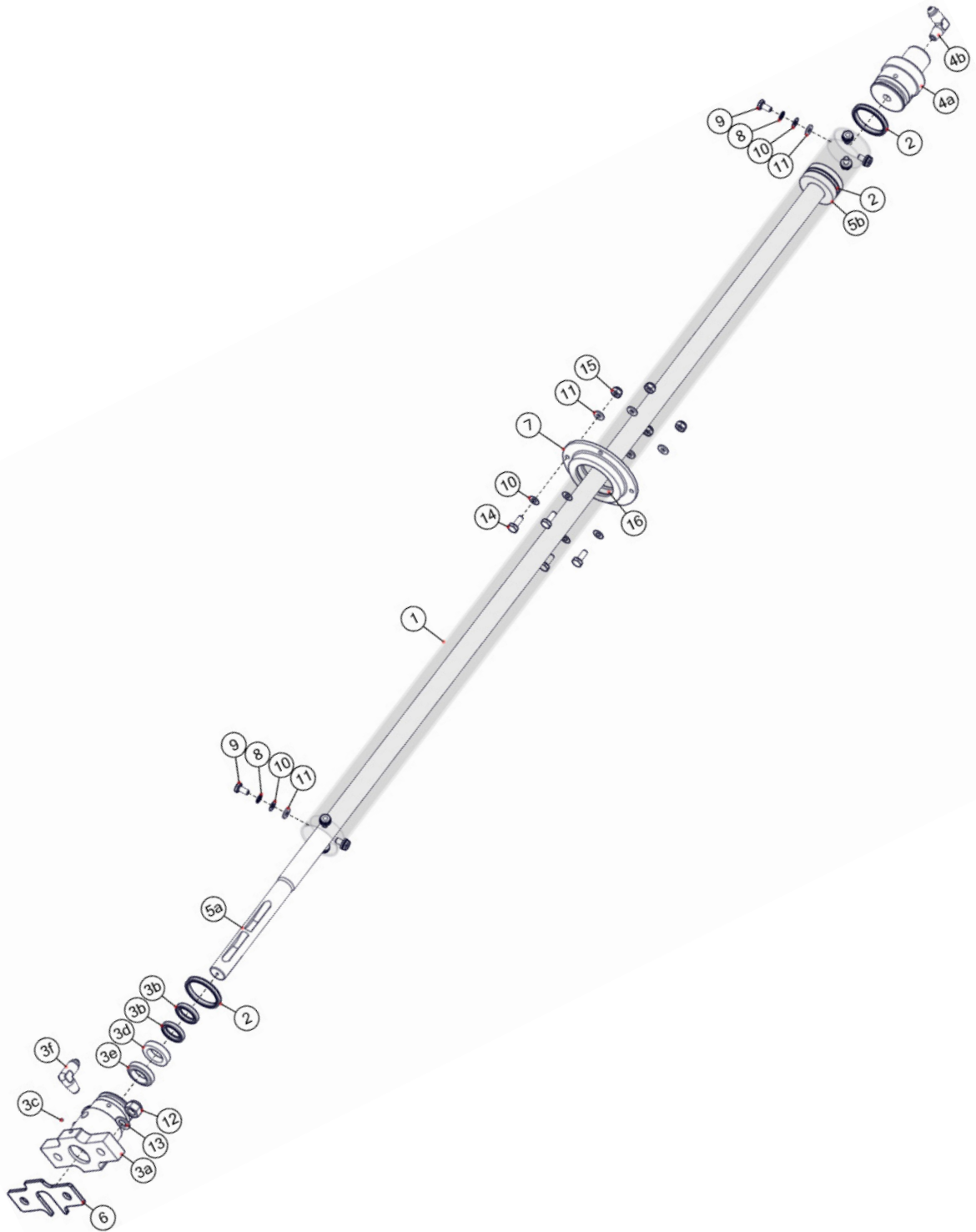
ITEM	QTY	PART NO.	PART DESCRIPTION
1	1	6A05158-019	COVER, SLIDE TUBE TRUCK
2	1	6A05193-001	HOOK PIN, HOLDER
3	1	6A05196-001	CLAMP, AFT, SLIDE TUBE
4	1	6A05208-001	FITTING, AFT, SLIDE TUBE
5	1	6A05259-002	END, SLIDE TUBE
6	1	6A05533-001	SPRING, MAIN GEAR LOCK
7	1	6A05702-008	PIN, MAIN GEAR LOCK
8	2	AN4-23A	BOLT
9	4	AN526-832R6	SCREW
10	4	AN5-6A	BOLT
11	2	AN5H10A	BOLT
12	2	AN6-7A	BOLT
13	2	AN6-14A	BOLT
14	2	NAS1149D0616J	WASHER
15	1	5801	MAGNET SWITCH
16	2	MS35206-215	SCREW
17	2	MS21044N4	NUT
18	4	MS21044N5	NUT
19	2	MS21044N6	NUT
20	4	MS35333-39	STAR WASHER
21	6	NAS1149D0463J	WASHER
22	10	NAS1149D0563J	WASHER
23	2	NAS1149D0616J	WASHER
24	2	NAS1149D0663J	WASHER

MAIN GEAR ASSEMBLY DETAIL C - MAIN GEAR CYLINDER COMPONENTS

PARTS MANUAL FOR RIVETED

WIPLINE MODEL 6100 AMPHIBIAN FLOATS SERIAL NUMBERS 61500 AND UP

MAIN GEAR ASSEMBLY DETAIL C MAIN GEAR CYLINDER COMPONENTS

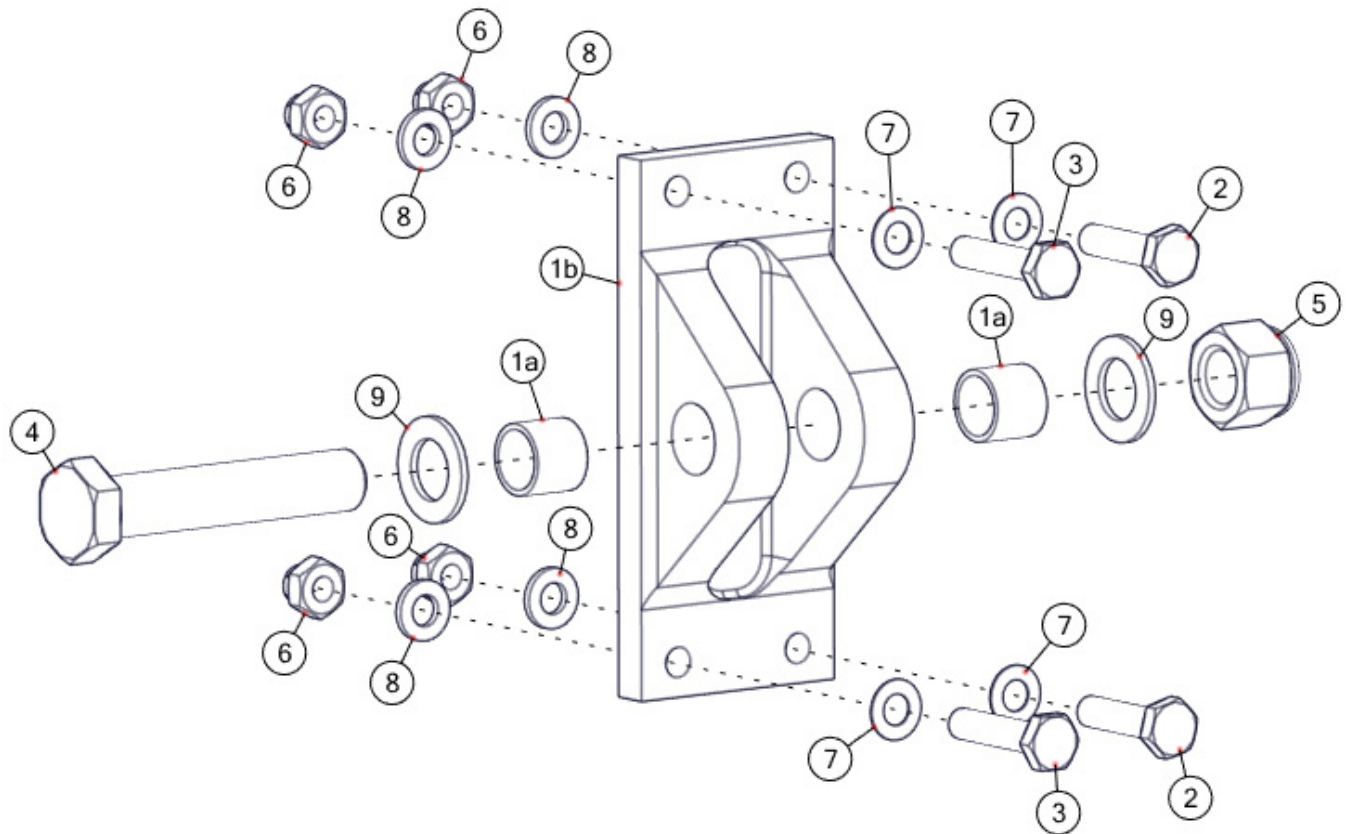


MAIN GEAR ASSEMBLY DETAIL C MAIN GEAR CYLINDER COMPONENTS

ITEM	QTY	PART NO.	PART DESCRIPTION
1	1	1002022	CYLINDER, RAM, MAIN
2	3	1002229	PISTON, T-SEAL
3*	1	1002235	ASSEMBLY, CYLINDER FLANGE
3a	1	1002008	FLANGE, CYLINDER, MAIN GEAR RAM
3b	2	1002231	ROD, T-SEAL
3c	1	1214K1	VALVE
3d	1	6A05580-004	WIPER, MAIN GEAR
3e	1	8880410	WIPER
3f	1	MS20822-4D	FITTING, ELBOW
4*	1	1002236	ASSEMBLY, CYLINDER END CAP
4a	1	1002011	END, CAP, HYDRAULIC CYLINDER
4b	1	MS20822-4D	FITTING, ELBOW
5*	1	1002639	ASSEMBLY, RAM, MAIN GEAR
5a	1	1002639-10	SHAFT, RAM, MAIN GEAR (not sold separately)
5b	1	6A05545-001	PISTON, RAM, MAIN GEAR (not sold separately)
6	1	6A05156-026	SHIM, FLANGE, CYLINDER, MAIN GEAR (0.10")
6 (ALT)	1	6A05001-007	SHIM, FLANGE, CYLINDER, MAIN GEAR (0.125")
7	1	6A05181-001	RETAINING RING, MAIN GEAR RAM CYLINDER
8	8	MS35333-39	STAR WASHER
9	8	NAS1103-2	BOLT
10	12	NAS1149D0316J	WASHER
11	12	NAS1149D0363J	WASHER
12	2	MS21044N6	NUT
13	2	NAS1149D0663J	WASHER
14	4	AN3-4A	BOLT
15	4	MS21044N3	NUT
16	1	MS28775-327	O-RING

*See [Nomenclature System](#) section when ordering assemblies

MAIN GEAR ASSEMBLY DETAIL D TRUNNION COMPONENTS



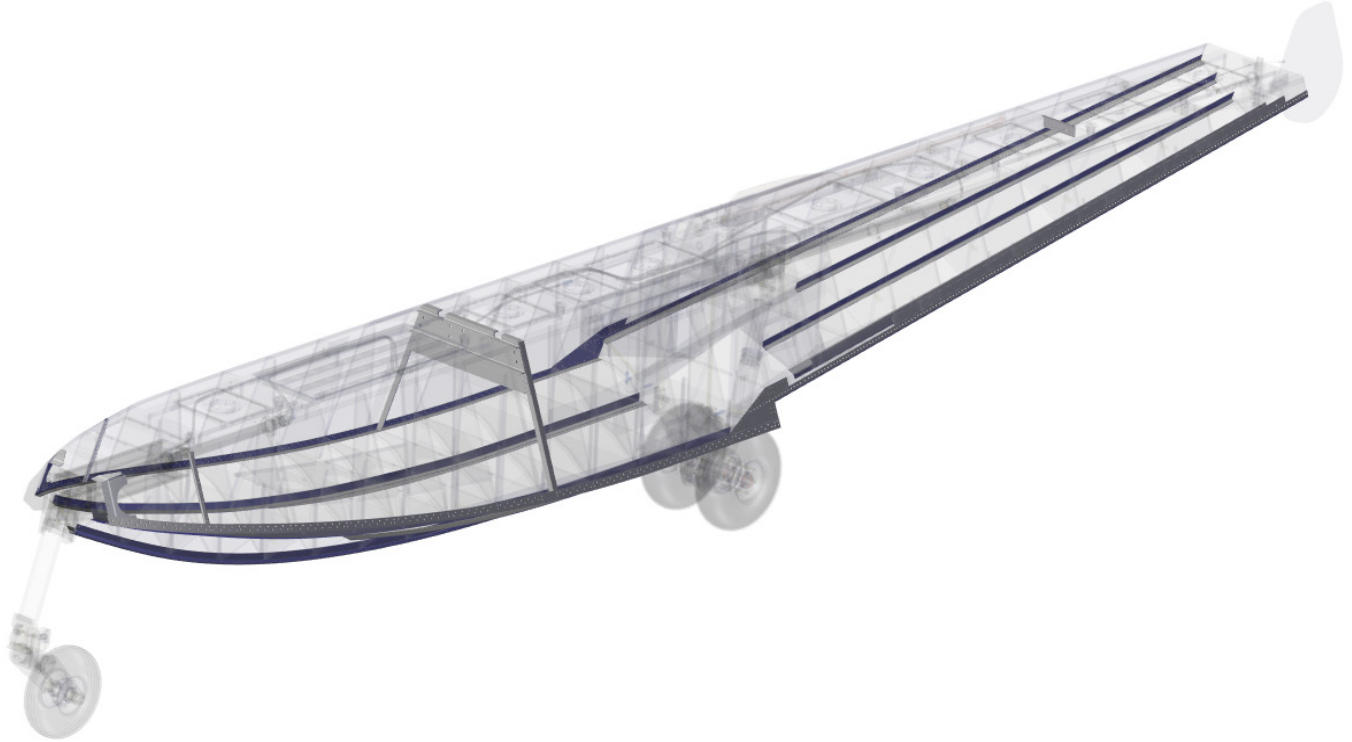
MAIN GEAR ASSEMBLY DETAIL D TRUNNION COMPONENTS

ITEM	QTY	PART NO.	PART DESCRIPTION
1*	1	6A04000-054	ASSEMBLY, TRUNNION, MAIN GEAR
1a	2	08DU08	BUSHING
1b	1	6A04192-001	TRUNNION, MAIN GEAR
2	2	AN4-10A	BOLT
3	2	AN4-11A	BOLT
4	1	AN8-24A	BOLT
5	1	MS21044N8	NUT
6	4	MS21045-4	NUT
7	4	NAS1149D0416J	WASHER
8	4	NAS1149D0463J	WASHER
9	2	NAS1149D0863J	WASHER

*See [Nomenclature System](#) section when ordering assemblies

THIS PAGE INTENTIONALLY LEFT BLANK

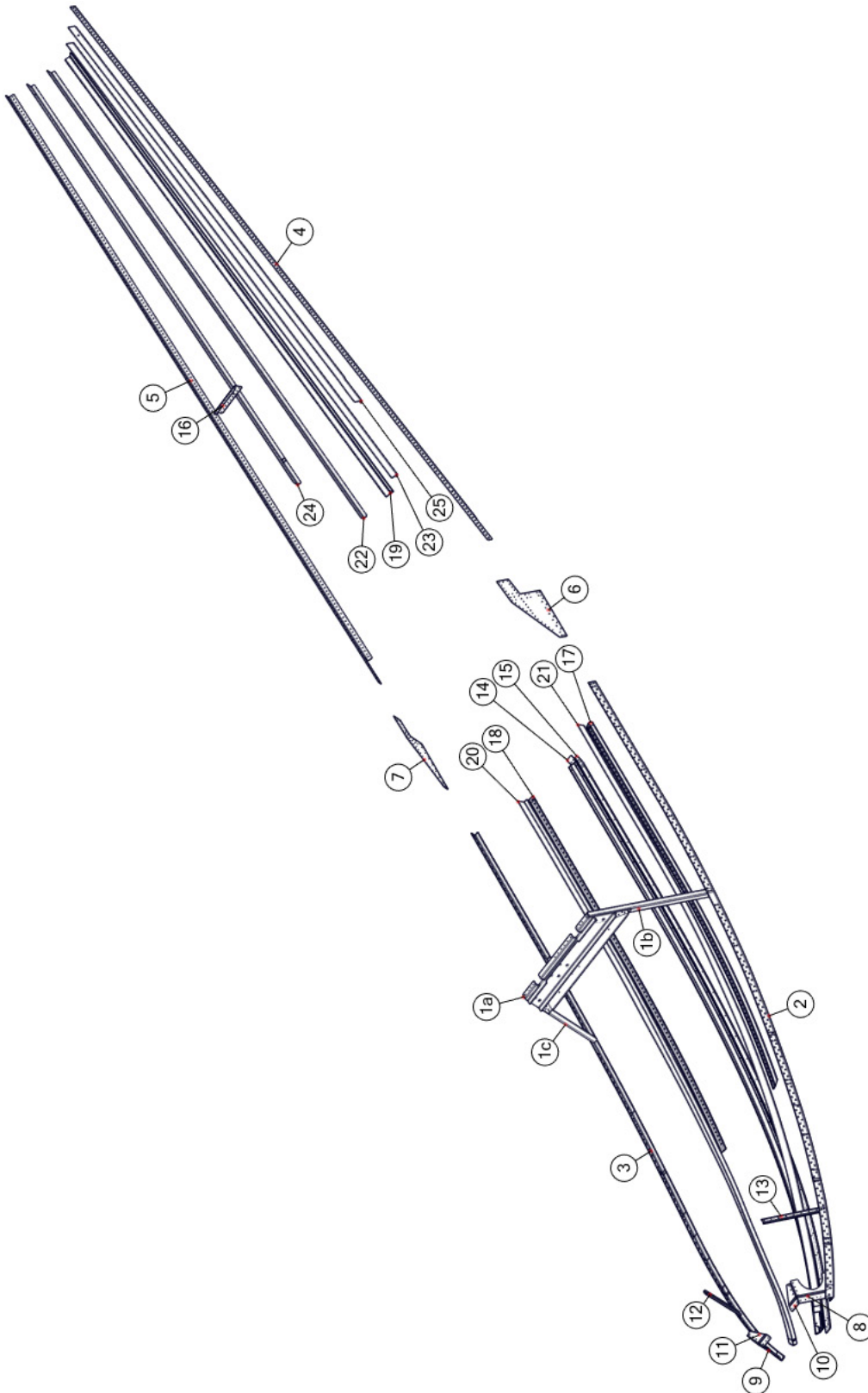
SECTION 8 ADDITIONAL STRUCTURAL MEMBERS



CONTENTS

ADDITIONAL STRUCTURAL MEMBERS, LEFT FLOAT	124
ADDITIONAL STRUCTURAL MEMBERS, RIGHT FLOAT	126

ADDITIONAL STRUCTURAL MEMBERS, LEFT FLOAT

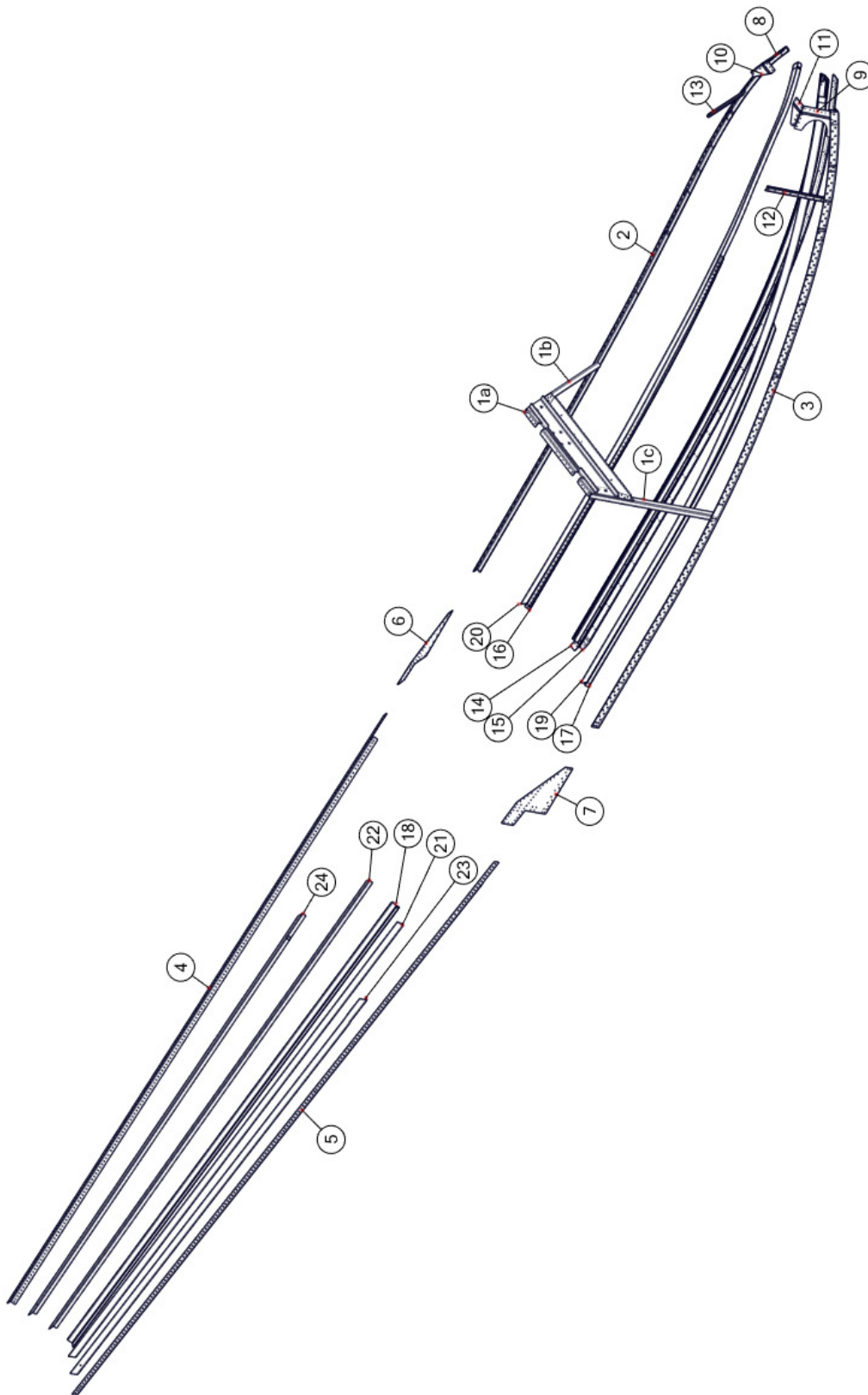


ADDITIONAL STRUCTURAL MEMBERS, LEFT FLOAT

ITEM	QTY	PART NO.	PART DESCRIPTION
1*	1	1007527	ASSEMBLY, PANEL, FORWARD SPREADER BAR, REAR, LEFT FLOAT
1a	1	1007616	PANEL, FORWARD SPREADER BAR, REAR, LEFT FLOAT
1b	1	1007861	ANGLE, ATTACH, SIDE SKIN, LEFT, FORWARD SPREADER BAR REAR PANEL
1c	1	1007862	ANGLE, ATTACH, SIDE SKIN, RIGHT, FORWARD SPREADER BAR REAR PANEL
2	1	1007552	CHINE, FORWARD, LEFT
3	1	1007553	CHINE, FORWARD, RIGHT
4	1	1007556	CHINE, AFT, LEFT
5	1	1007557	CHINE, AFT, RIGHT
6	1	1007735	DOUBLER, SIDE SKIN, CHINE, LEFT
7	1	1007736	DOUBLER, SIDE SKIN, CHINE, RIGHT
8	1	1007745	DOUBLER, SIDE SKIN, NOSE, LEFT
9	1	1007746	DOUBLER, SIDE SKIN, NOSE, RIGHT
10	1	1007747	DOUBLER, TOP SKIN, NOSE, LEFT
11	1	1007748	DOUBLER, TOP SKIN, NOSE, RIGHT
12	1	1007781	STIFFENER, SIDE SKIN, RIGHT
13	1	1007782	STIFFENER, SIDE SKIN, LEFT
14	1	1007785	KEEL, MAIN, FORWARD
15	1	1007786	WEAR STRIP, MAIN KEEL
16	1	1007879	ANGLE, DOUBLER, BULKHEAD 18
17	1	6A01342-003	SISTER KEEL, OUTER, LEFT
18	1	6A01342-004	SISTER KEEL, OUTER, RIGHT
19	1	6A01347-003	KEEL, AFT
20	1	6A01361-004	SISTER KEEL, INNER FORWARD, RIGHT
21	1	6A01361-005	SISTER KEEL, INNER FORWARD, LEFT
22	1	6A01361-006	SISTER KEEL, AFTERBODY, INNER, RIGHT
23	1	6A01361-007	SISTER KEEL, AFTERBODY, INNER, LEFT
24	1	6A01361-008	SISTER KEEL, OUTER AFT, RIGHT
25	1	6A01361-009	SISTER KEEL, OUTER AFT, LEFT

*See [Nomenclature System](#) section when ordering assemblies

ADDITIONAL STRUCTURAL MEMBERS, RIGHT FLOAT



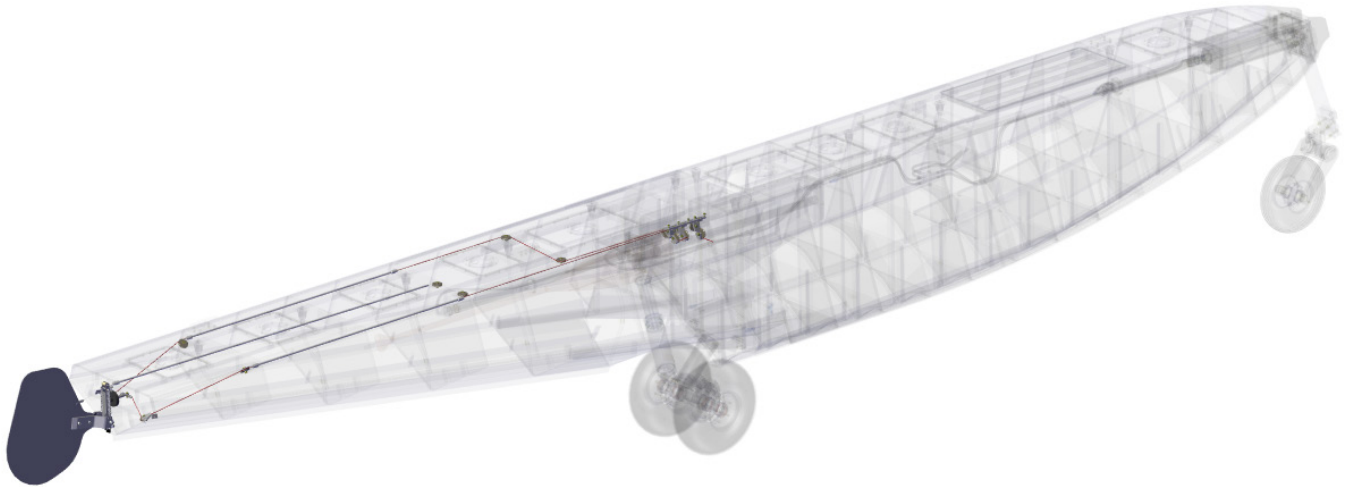
ADDITIONAL STRUCTURAL MEMBERS, RIGHT FLOAT

ITEM	QTY	PART NO.	PART DESCRIPTION
1*	1	1007528	ASSEMBLY, PANEL, FORWARD SPREADER BAR, REAR, RIGHT FLOAT
1a	1	1007617	PANEL, FORWARD SPREADER BAR, REAR, RIGHT FLOAT
1b	1	1007861	ANGLE, ATTACH, SIDE SKIN, LEFT, FORWARD SPREADER BAR REAR PANEL
1c	1	1007862	ANGLE, ATTACH, SIDE SKIN, RIGHT, FORWARD SPREADER BAR REAR PANEL
2	1	1007552	CHINE, FORWARD, LEFT
3	1	1007553	CHINE, FORWARD, RIGHT
4	1	1007556	CHINE, AFT, LEFT
5	1	1007557	CHINE, AFT, RIGHT
6	1	1007735	DOUBLER, SIDE SKIN, CHINE, LEFT
7	1	1007736	DOUBLER, SIDE SKIN, CHINE, RIGHT
8	1	1007745	DOUBLER, SIDE SKIN, NOSE, LEFT
9	1	1007746	DOUBLER, SIDE SKIN, NOSE, RIGHT
10	1	1007747	DOUBLER, TOP SKIN, NOSE, LEFT
11	1	1007748	DOUBLER, TOP SKIN, NOSE, RIGHT
12	1	1007781	STIFFENER, SIDE SKIN, RIGHT
13	1	1007782	STIFFENER, SIDE SKIN, LEFT
14	1	1007785	KEEL, MAIN, FORWARD
15	1	1007786	WEAR STRIP, MAIN KEEL
16	1	6A01342-003	SISTER KEEL, OUTER, LEFT
17	1	6A01342-004	SISTER KEEL, OUTER, RIGHT
18	1	6A01347-003	KEEL, AFT
19	1	6A01361-004	SISTER KEEL, INNER FORWARD, RIGHT
20	1	6A01361-005	SISTER KEEL, INNER FORWARD, LEFT
21	1	6A01361-006	SISTER KEEL, AFTERBODY, INNER, RIGHT
22	1	6A01361-007	SISTER KEEL, AFTERBODY, INNER, LEFT
23	1	6A01361-008	SISTER KEEL, OUTER AFT, RIGHT
24	1	6A01361-009	SISTER KEEL, OUTER AFT, LEFT

*See [Nomenclature System](#) section when ordering assemblies

THIS PAGE INTENTIONALLY LEFT BLANK

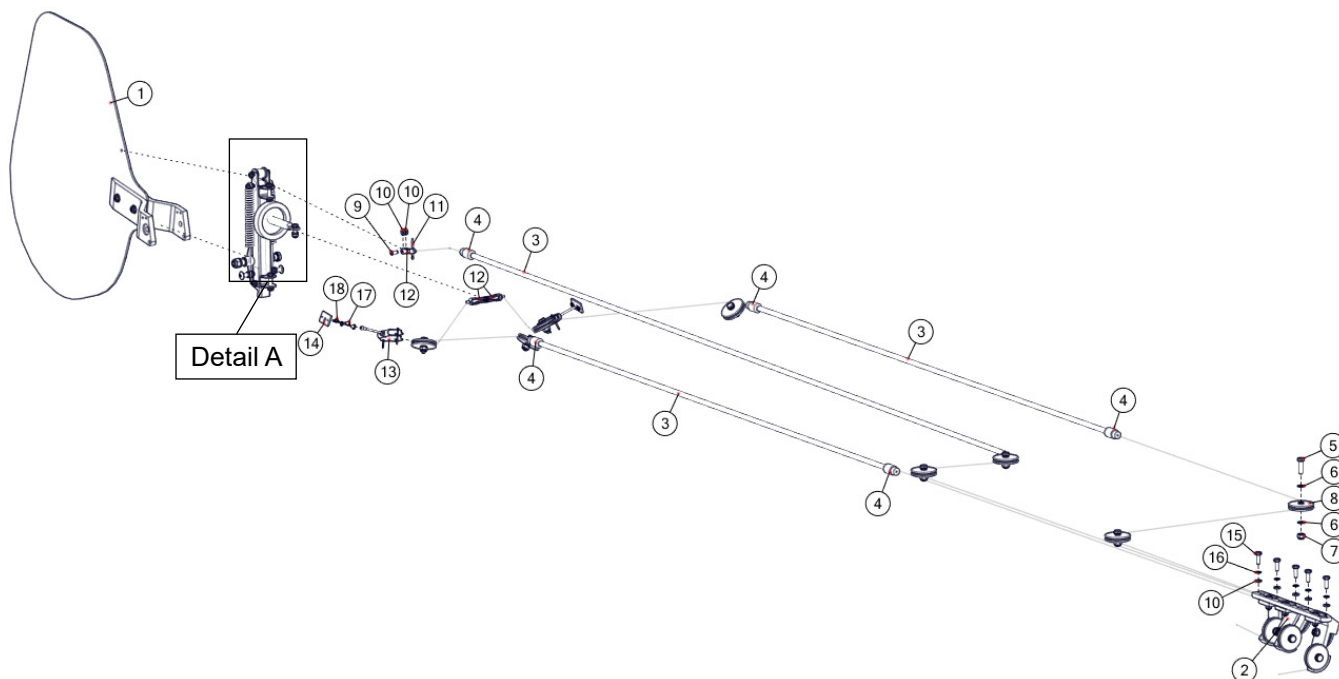
SECTION 9 WATER RUDDER & STEERING SYSTEM



CONTENTS

6A08000-018 ASSEMBLY, BLADE AND ARM RUDDER	132
1007835 ASSEMBLY, PULLEY CLUSTER, LEFT FLOAT	133
1007836 ASSEMBLY, PULLEY CLUSTER, RIGHT FLOAT.....	134
6A08000-019 ASSEMBLY, PULLEY BRACKET, STEERING	135
STEERING, COMPONENTS DETAIL A - RUDDER POST COMPONENTS.....	136
3A08000-096 ASSEMBLY, PIVOT, WATER RUDDER	137
STEERING CABLE SCHEMATIC, LEFT AND RIGHT FLOATS.....	138

STEERING COMPONENTS, LEFT FLOAT

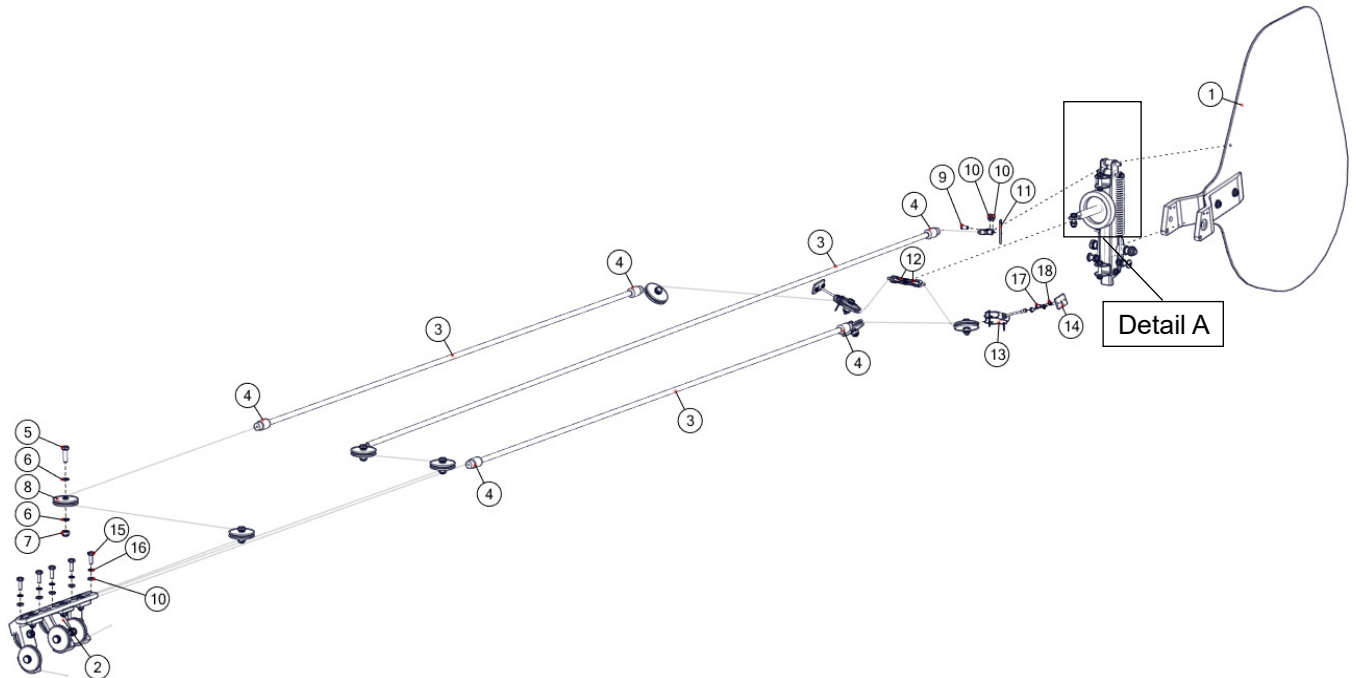


STEERING COMPONENTS, LEFT FLOAT

ITEM	QTY	PART NO.	PART DESCRIPTION
1	1	6A08000-018	ASSEMBLY, BLADE AND ARM, RUDDER
2	1	1007835	ASSEMBLY, PULLEY CLUSTER, LEFT FLOAT
3	FT. Varies	RM613	LDPE TUBE, 5/16" OD
4	5	3A08605-001	CABLE GUIDE
5	8	AN4-7A	BOLT
6	16	NAS1149D0416J	WASHER
7	8	MS21044N4	NUT
8	8	MS20219-2	PULLEY
9	1	MS20392-2C11	PIN, CLEVIS
10	7	NAS1149D0363J	WASHER
11	1	MS24665-304	PIN, COTTER
12	3	NAS1435K3	STRAP, FORK END
13	2	6A08000-019	ASSEMBLY, PULLEY BRACKET, STEERING
14	2	6A08156-017	BRACKET, WATER RUDDER PULLEY, AFT
15	5	AN3-5A	BOLT
16	5	MS35333-39	LOCKWASHER
17	4	AN526-632R4	SCREW
18	4	MS35333-37	LOCKWASHER
Detail A	1	-	RUDDER POST COMPONENTS

*See [Detailed Views](#) section for Detailed Views explanation

STEERING COMPONENTS, RIGHT FLOAT

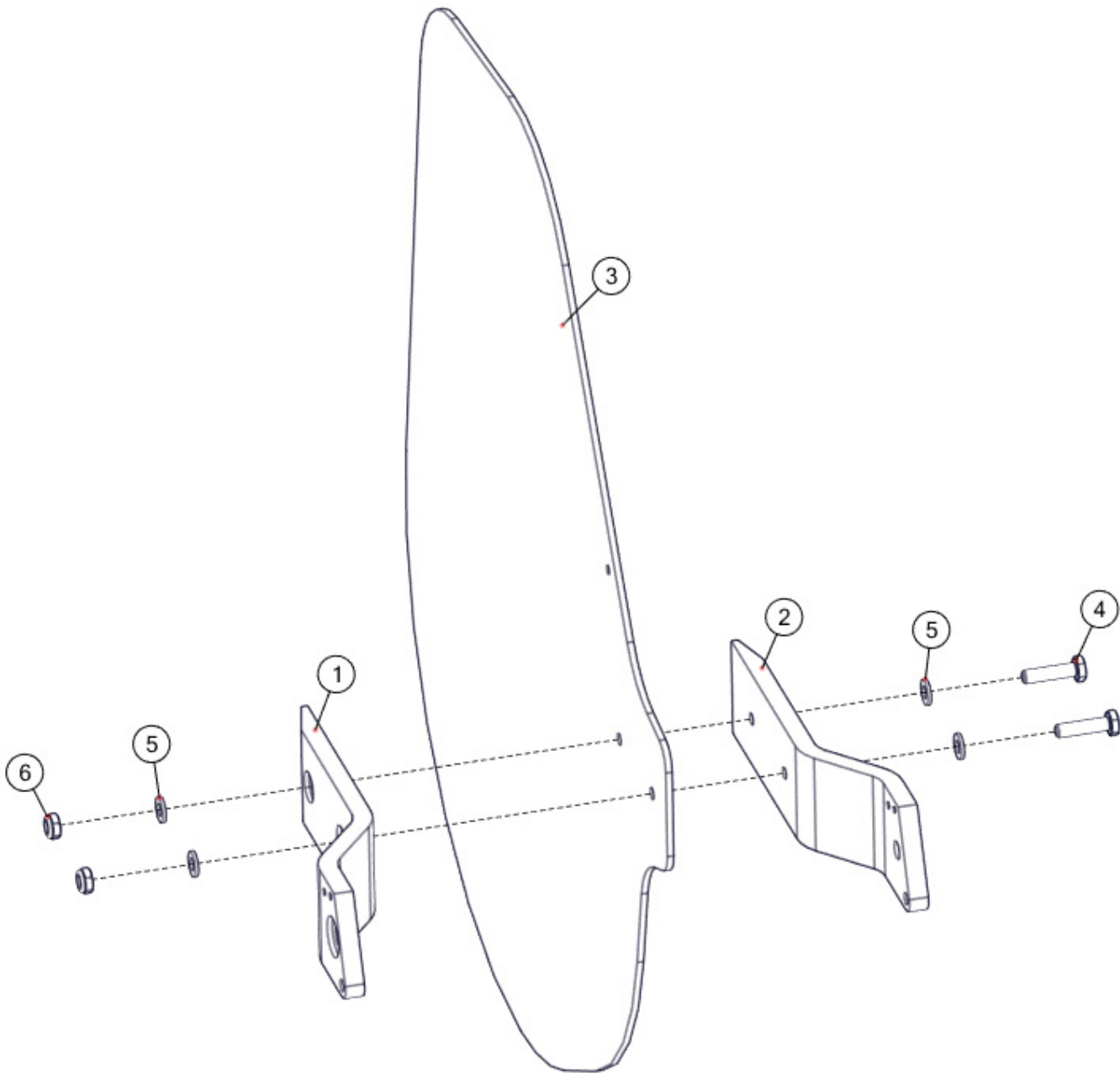


STEERING COMPONENTS, RIGHT FLOAT

ITEM	QTY	PART NO.	PART DESCRIPTION
1	1	6A08000-018	ASSEMBLY, BLADE AND ARM, RUDDER
2	1	1007836	ASSEMBLY, PULLEY CLUSTER, RIGHT FLOAT
3	FT. Varies	RM613	LDPE TUBE, 5/16" OD
4	5	3A08605-001	CABLE GUIDE
5	8	AN4-7A	BOLT
6	16	NAS1149D0416J	WASHER
7	8	MS21044N4	NUT
8	8	MS20219-2	PULLEY
9	1	MS20392-2C11	PIN, CLEVIS
10	7	NAS1149D0363J	WASHER
11	1	MS24665-304	PIN, COTTER
12	3	NAS1435K3	STRAP, FORK END
13	2	6A08000-019	ASSEMBLY, PULLEY BRACKET, STEERING
14	2	6A08156-017	BRACKET, WATER RUDDER PULLEY, AFT
15	5	AN3-5A	BOLT
16	5	MS35333-39	LOCKWASHER
17	4	AN526-632R4	SCREW
18	4	MS35333-37	LOCKWASHER
Detail A	1	-	RUDDER POST COMPONENTS

*See [Detailed Views](#) section for Detailed Views explanation

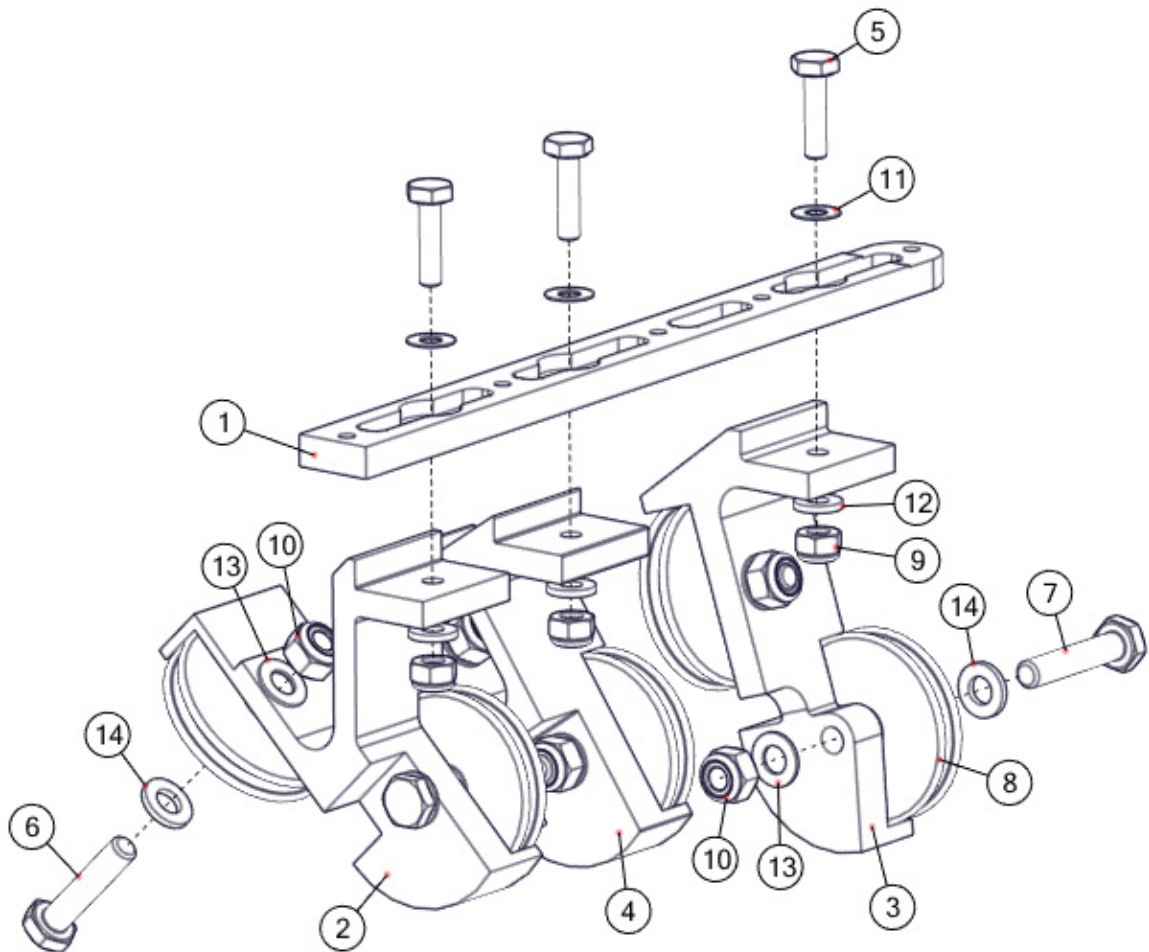
6A08000-018 ASSEMBLY, BLADE AND ARM RUDDER



6A08000-018 ASSEMBLY, BLADE AND ARM, RUDDER

ITEM	QTY	PART NO.	PART DESCRIPTION
1	1	4A08197-008	ARM, WATER RUDDER, RIGHT
2	1	4A08197-009	ARM, WATER RUDDER, LEFT
3	1	6A08001-005	WATER RUDDER BLADE
4	2	AN4-10A	BOLT
5	4	NAS1149D0463J	WASHER
6	2	NAS679A4W	NUT

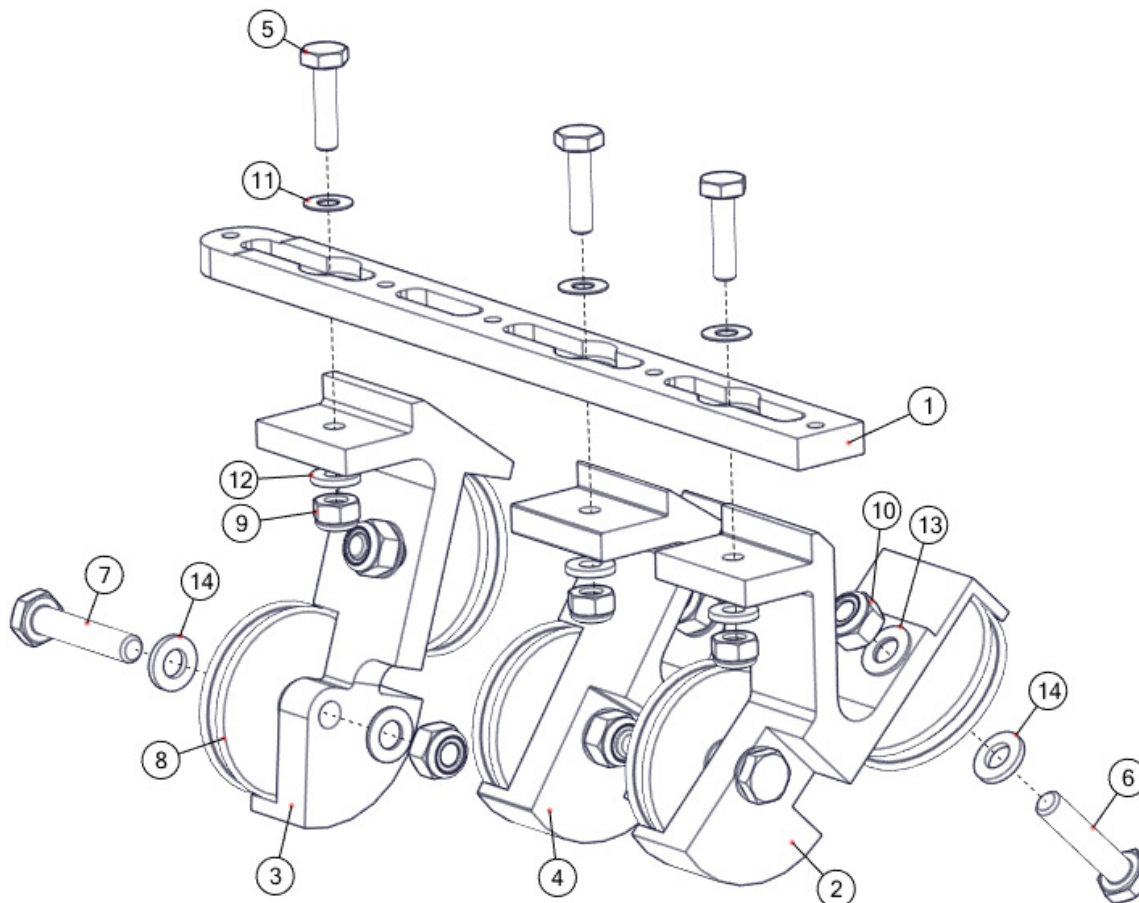
1007835 ASSEMBLY, PULLEY CLUSTER, LEFT FLOAT



1007835 ASSEMBLY, PULLEY CLUSTER, LEFT FLOAT

ITEM	QTY	PART NO.	PART DESCRIPTION
1	1	1007725	PLATE, MOUNT, PULLEY CLUSTER
2	1	6A08336-001	BRACKET, PULLEY
3	1	6A08355-001	BRACKET, PULLEY
4	1	6A08365-001	BRACKET, PULLEY
5	3	AN3-6A	BOLT
6	3	AN4-11A	BOLT
7	3	AN4-12A	BOLT
8	6	MS20219-2	PULLEY
9	3	MS21044N3	NUT
10	6	MS21044N4	NUT
11	3	NAS1149D0316J	WASHER
12	3	NAS1149D0363J	WASHER
13	6	NAS1149F0432P	WASHER
14	6	NAS1149F0463P	WASHER

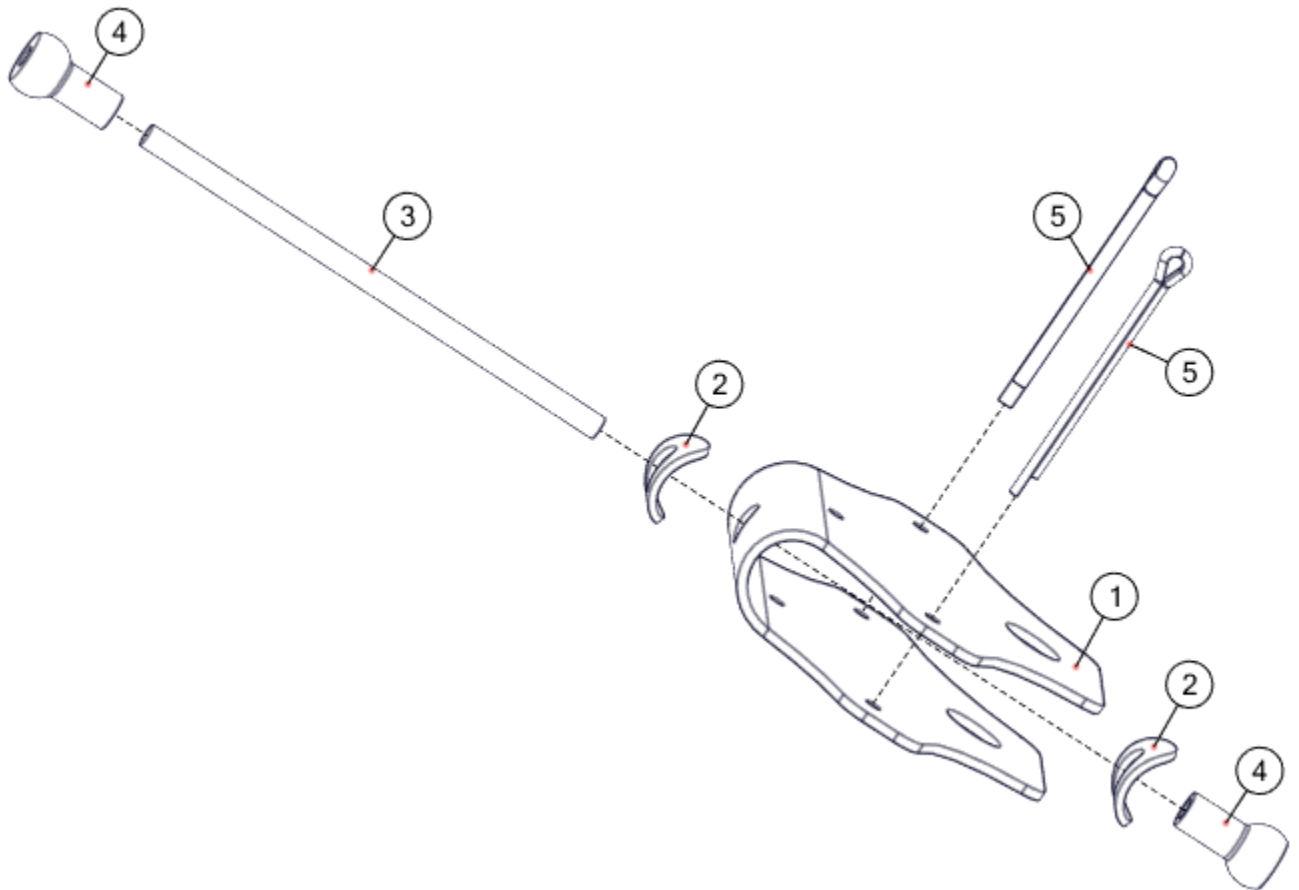
1007836 ASSEMBLY, PULLEY CLUSTER, RIGHT FLOAT



1007836 ASSEMBLY, PULLEY CLUSTER, RIGHT FLOAT

ITEM	QTY	PART NO.	PART DESCRIPTION
1	1	1007725	PLATE, MOUNT, PULLEY CLUSTER
2	1	6A08336-002	BRACKET, PULLEY
3	1	6A08355-002	BRACKET, PULLEY
4	1	6A08365-002	BRACKET, PULLEY
5	3	AN3-6A	BOLT
6	3	AN4-11A	BOLT
7	3	AN4-12A	BOLT
8	6	MS20219-2	PULLEY
9	3	MS21044N3	NUT
10	6	MS21044N4	NUT
11	3	NAS1149D0316J	WASHER
12	3	NAS1149D0363J	WASHER
13	6	NAS1149F0432P	WASHER
14	6	NAS1149F0463P	WASHER

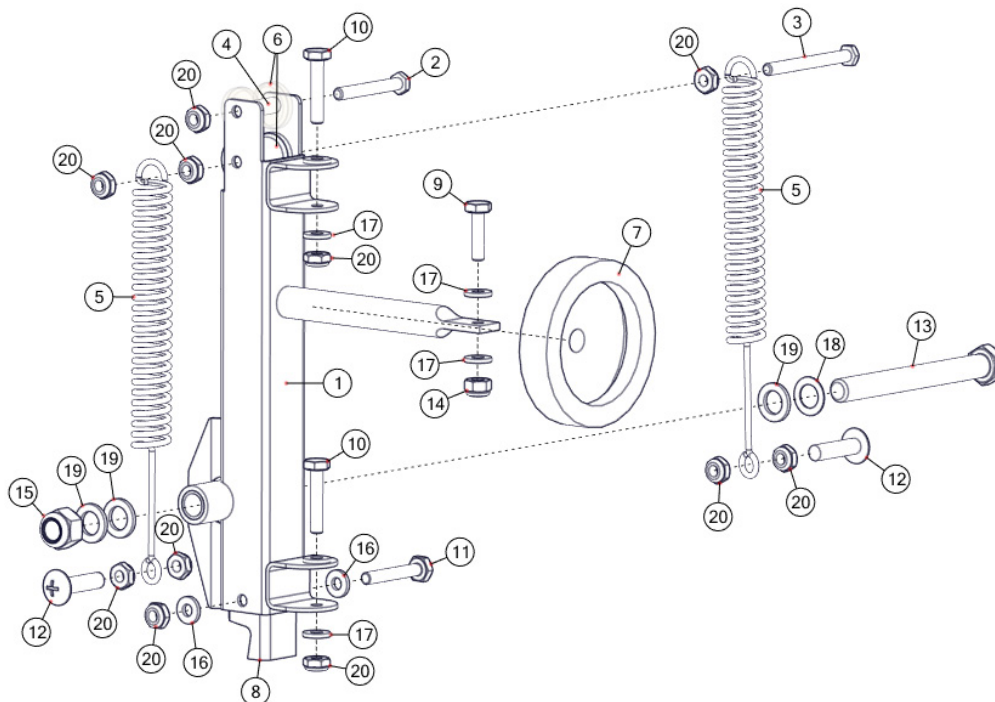
6A08000-019 ASSEMBLY, PULLEY BRACKET, STEERING



6A08000-019 ASSEMBLY, PULLEY BRACKET, STEERING

ITEM	QTY	PART NO.	PART DESCRIPTION
1	1	3A01151-027	BRACKET, PULLEY
2	2	4A08722-001	CABLE END, BALL AND SHANK
3	.18'	RM690	STEEL CABLE
4	2	MS20664C3	CABLE END, BALL AND SHANK
5	2	MS24665-155	PIN, COTTER

STEERING, COMPONENTS DETAIL A - RUDDER POST COMPONENTS

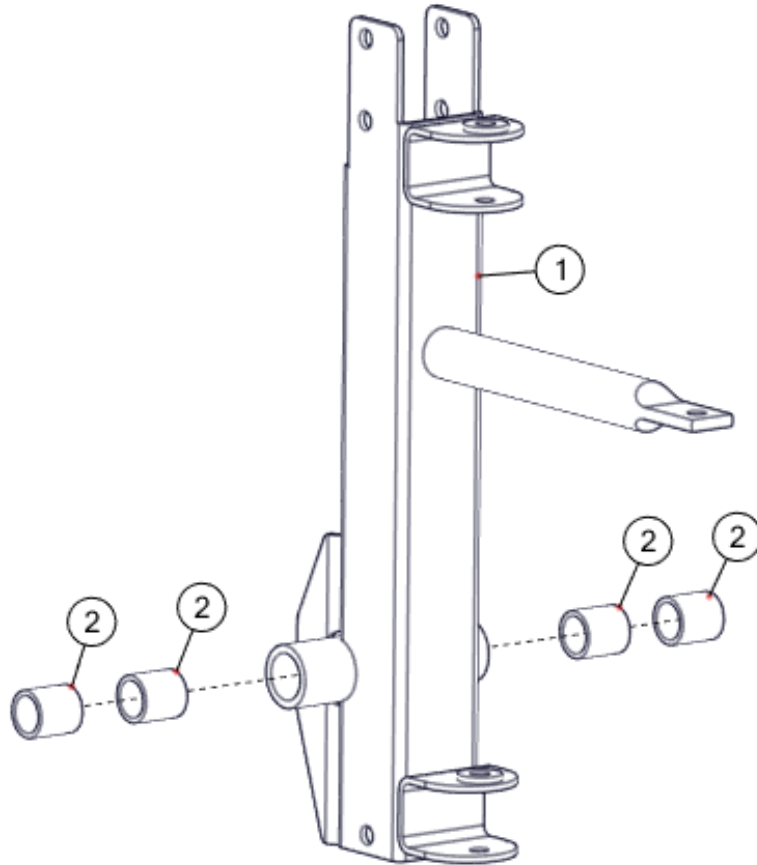


STEERING COMPONENTS DETAIL A - RUDDER POST COMPONENTS

ITEM	QTY	PART NO.	PART DESCRIPTION
1*	1	8A08000-098	ASSEMBLY, WATER RUDDER POST
1a	1	3A08000-096	ASSEMBLY, PIVOT, WATER RUDDER
2	1	AN3-14A	BOLT
3	1	AN3-20A	BOLT
4	2	3A08502-001	SPACER, WATER RUDDER RETRACT ROLLER, LONG
5	2	3A08525-001	SPRING, WATER RUDDER RETRACT
6	2	3A08606-001	ROLLER, CABLE RETRACT, LOWER
7	1	3A08650-001	BOLT, WATER RUDDER
8	1	6A08183-005	STOP, WATER RUDDER
9	1	AN3-6A	BOLT
10	2	AN3C10A	BOLT
11	1	AN3C12A	BOLT
12	2	AN526-428R16	SCREW
13	1	AN6C34A	BOLT
14	1	MS21044N3	NUT
15	1	MS21044N6	NUT
16	2	NAS1149C0363R	WASHER
17	4	NAS1149D0363J	WASHER
18	1	NAS1149D0616J	WASHER
19	3	NAS1149D0663J	WASHER
20	11	NAS679-A3W	NUT

*See [Nomenclature System](#) section when ordering assemblies

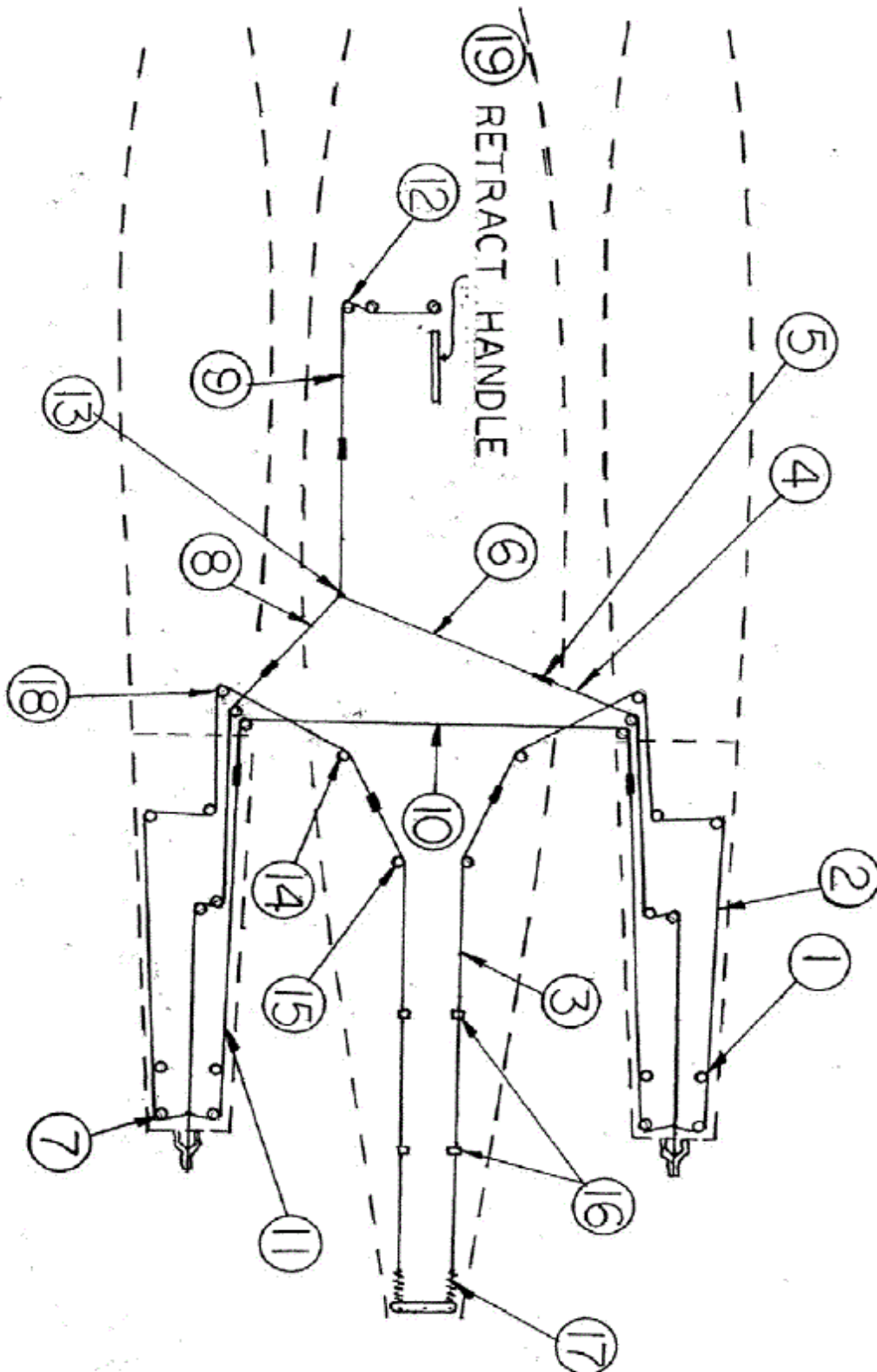
3A08000-096 ASSEMBLY, PIVOT, WATER RUDDER



3A08000-096 ASSEMBLY, PIVOT, WATER RUDDER

ITEM	QTY	PART NO.	PART DESCRIPTION
1	1	3A08000-096B	BLANK, PIVOT, WATER RUDDER (available as assembly only)
2	4	06DU08	BUSHING, SELF LUBRICATING

STEERING CABLE SCHEMATIC, LEFT AND RIGHT FLOATS



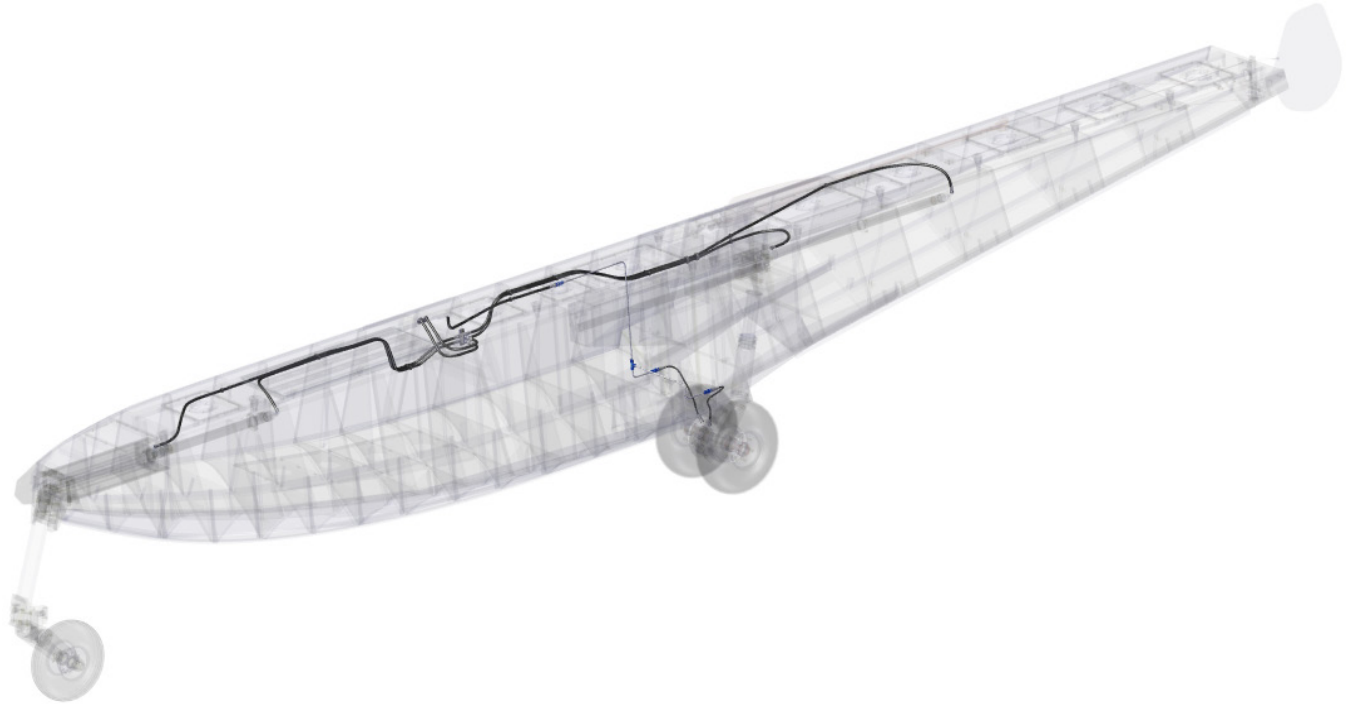
PARTS MANUAL FOR RIVETED
WIPLINE MODEL 6100 AMPHIBIAN FLOATS SERIAL NUMBERS 61500 AND UP

STEERING CABLE SCHEMATIC, LEFT AND RIGHT FLOATS

ITEM	QTY	PART NO.	PART DESCRIPTION
1	32	MS20219-2	PULLEY
2	2	6A08000-012	ASSEMBLY CABLE, STEERING (192")
3	2	6A08000-014	ASSEMBLY CABLE, RETRACT (168.5")
4	2	6A08000-013	ASSEMBLY CABLE, RETRACT (161")
5	7	MS21251B3S	TURNBUCKLE, BARREL
6	1	6A08000-010	ASSEMBLY CABLE RETRACT, FUS. (64.25")
7	2	6A08000-019	ASSEMBLY CABLE AND PULLEY BRACKET
8	1	6A08000-009	ASSEMBLY CABLE RETRACT, FUSELAGE (27.75")
9	1	6A08000-015	ASSEMBLY CABLE RETRACT HANDLE (69")
10	1	6A08000-008	ASSEMBLY CABLE, BALANCE, SPREADER BAR (132")
11	2	6A08000-011	ASSEMBLY CABLE BALANCE (104")
12	1	6A08153-003	PULLEY BRACKET, RETRACT CABLE
13	1	6A08153-004	PULLEY BRACKET, EXTENSION, FUSELAGE
	1	6A08005-089	BRACKET LOWER
	1	6A08005-090	BRACKET UPPER
14	2	6A08005-091	PULLEY BRACKET, FUSELAGE
	2	6A08193-002	PIVOT, PULLEY CABLE
15	2	6A08000-021	ASSEMBLY PULLEY BRACKET, BELLY
16	4	6A08153-005	CLIP, CABLE GUIDE
	4	6A08601-003	PLASTIC GUIDE
17	2	0742016-1	SPRING
18	-	6A08000-016	ASSEMBLY PULLEY BRACKET, GUNWALL, RT.
	1	6A08355-002	PULLEY BRACKET, WATER RUDDER BALANCE CABLE, RH.
	1	6A08365-002	PULLEY BRACKET, WATER RUDDER RETRACT CABLE, RH.
	1	6A08336-002	PULLEY BRACKET, WATER RUDDER STEERING, RH.
	1	6A08209-002	PLATE - PULLEY MOUNT
	6	MS20219-2	PULLEY
	-	6A08000-017	ASSEMBLY PULLEY BRACKET, GUNWALL LT.
	1	6A08355-001	PULLEY BRACKET, WATER RUDDER BALANCE CABLE, LH.
	1	6A08365-001	PULLEY BRACKET, WATER RUDDER RETRACT CABLE, LH.
	1	6A08336-001	PULLEY BRACKET, WATER RUDDER STEERING, LH.
	1	6A08209-002	PLATE - PULLEY MOUNT
	6	MS20219-2	PULLEY
19	1	6S08000-020	ASSEMBLY RETRACT HANDLE (SEAPLANE)
	1	6A11000-015	ASSEMBLY RETRACT HANDLE AND CONSOLE (AMPHIB)

THIS PAGE INTENTIONALLY LEFT BLANK

SECTION 10 HYDRAULIC AND BRAKE SYSTEM



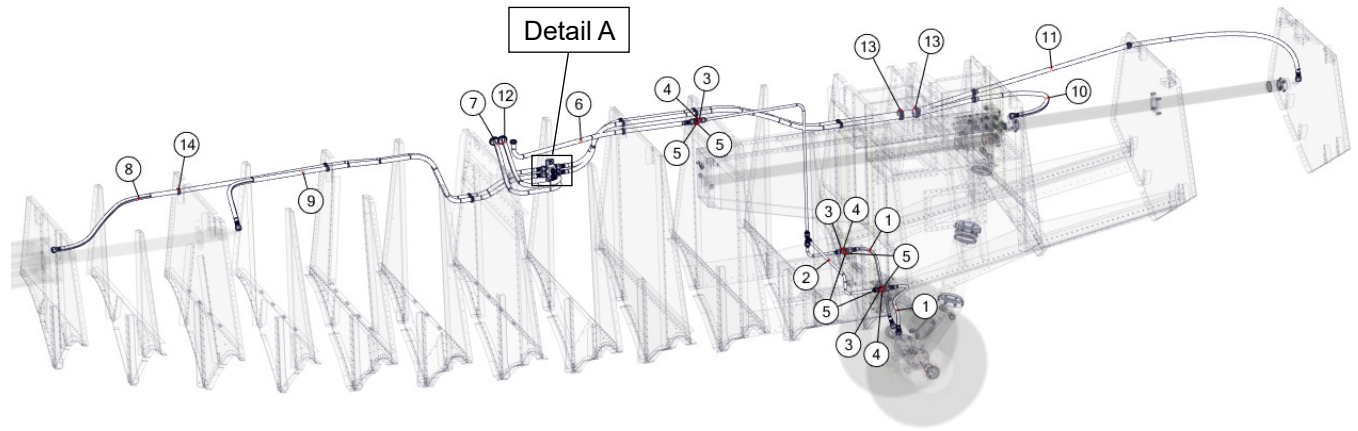
CONTENTS

6A04000-026 ASSEMBLY, HYDRAULIC LINE, BRAKE, 14 INCH	145
6A04000-083 ASSEMBLY, BRAKE LINE, INTERNAL, LEFT FLOAT.....	146
6A04000-084 ASSEMBLY, BRAKE LINE, INTERNAL, RIGHT FLOAT	147
6A04000-023 ASSEMBLY, HYDRAULIC LINE, BRAKE, 83 INCH	148
6A09000-054 ASSEMBLY, HYDRAULIC LINE, MANIFOLD TO DECK, RIGHT FLOAT	148
6A09000-058 ASSEMBLY, HYDRAULIC LINE, FLOAT TO FLOAT	149
6A09000-064 ASSEMBLY, HYDRAULIC LINE, MANIFOLD TO NOSE GEAR, UP	150
6A09000-065 ASSEMBLY, HYDRAULIC LINE, MANIFOLD TO NOSE GEAR, DOWN	150
6A09000-066 ASSEMBLY, HYDRAULIC LINE, MANIFOLD TO MAIN GEAR, DOWN.....	150
6A09000-067 ASSEMBLY, HYDRAULIC LINE, MANIFOLD TO MAIN GEAR, UP	151
6A09000-068 ASSEMBLY, HYDRAULIC LINE, MANIFOLD TO FLOAT DECK, RIGHT FLOAT.....	151
6A09000-069 ASSEMBLY, HYDRAULIC LINE, FLOAT TO FLOAT	152
HYDRAULIC AND BRAKE COMPONENTS, LEFT FLOAT DETAIL A HYDRAULIC MAINFOLD	
COMPONENTS	153
HYDRAULIC AND BRAKE COMPONENTS, RIGHT FLOAT DETAIL A HYDRAULIC MAINFOLD	
COMPONENTS	154
1011404 ASSEMBLY, HYDRAULIC POWER PACK (UNI-DIRECTIONAL) POST SERVICE LETTER 214 & 215	155
1011402 ASSEMBLY, BRACKET, PUMP MOUNT POST SERVICE LETTER 214 & 215.....	157
6A09000-029 ASSEMBLY, PUMP UNIDIRECTIONAL PRE SERVICE LETTER 214 & 215.....	159
6A09000-030 ASSEMBLY, BRACKET UNIDIRECTIONAL PRE SERVICE LETTER 214 & 215.....	161

CONTENTS CONTINUED

6A09000-128 ASSEMBLY, FUSE HOLDER, RIGHT	163
6A09000-129 ASSEMBLY, FUSE HOLDER, LEFT	164
1011361-01 HOSE ASSEMBLY, MANIFOLD TO PUMP POST SERVICE LETTER 214 & 215.....	167
8A09000-048 ASSEMBLY, HYDRAULIC LINE, PUMP PRE SERVICE LETTER 214 & 215	168
1009773 HYDRAULIC PUMP (BI-DIRECTIONAL)	169
1009772 ASSEMBLY, TOP PLATE, HYDRAULIC PUMP, 24V	171
1009750 ASSEMBLY CONTROL CONSOLE POST SERVICE LETTER 214 & 215	173
6A11000-001 ASSEMBLY CONTROL CONSOLE PRE SERVICE LETTER 214 & 215	175
6A09000-024 ASSEMBLY, HAND PUMP CHECK VALVE	177
21A11000-019 GEAR SELECTOR ASSY, ROUND, 24V (BIDIRECTIONAL)	178
6A09000-157 ASSEMBLY, GEAR SELECTOR VALVE (UNIDIRECTIONAL).....	180
6A11000-015 ASSEMBLY HYDRAULIC CONTROL CONSOLE	182
HYDRAULIC SYSTEM SCHEMATIC - UNIDIRECTIONAL POST SERVICE LETTER 214 & 215	184
HYDRAULIC SYSTEM SCHEMATIC - BIDIRECTIONAL DHC-2 POST SERVICE LETTER 214	186
HYDRAULIC SYSTEM SCHEMATIC - UNIDIRECTIONAL PC-6 POST SERVICE LETTER 214 & 215	188
HYDRAULIC SYSTEM SCHEMATIC, LEFT AND RIGHT FLOAT PRE SERVICE LETTER 214 & 215 .	190

HYDRAULIC AND BRAKE COMPONENTS, LEFT FLOAT

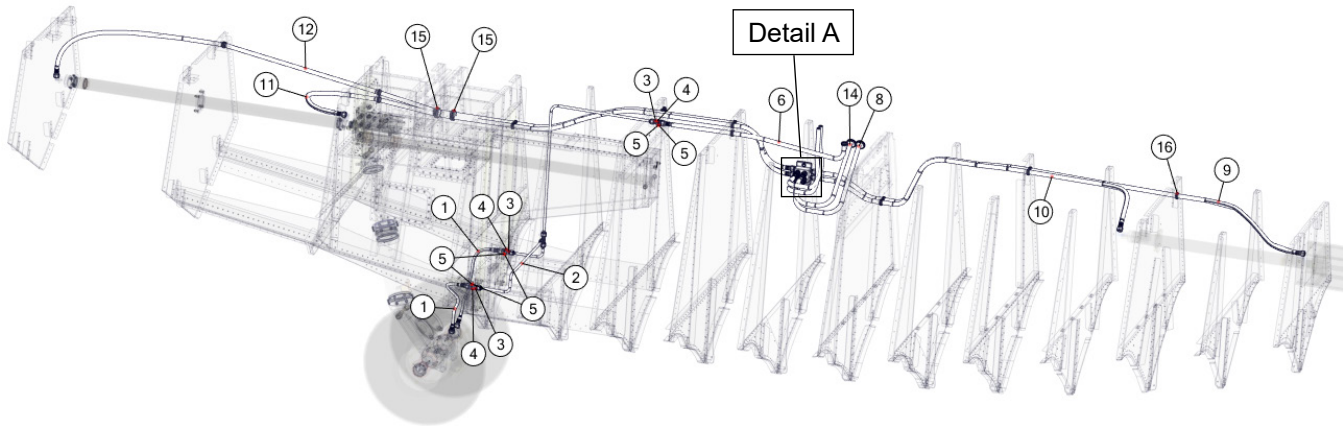


HYDRAULIC AND BRAKE COMPONENTS, LEFT FLOAT

ITEM	QTY	PART NO.	PART DESCRIPTION
1	2	6A04000-026	ASSEMBLY, HYDRAULIC LINE, BRAKE, 14 INCH
2	1	6A04000-083	ASSEMBLY, BRAKE LINE, INTERNAL, LEFT FLOAT
3	3	AN832-4D	UNION
4	3	AN924-4D	JAM NUT
5	6	NAS1149D0763J	WASHER
6	1	6A04000-023	ASSEMBLY, HYDRAULIC LINE, BRAKE, 83 INCH
7	1	6A09000-058	ASSEMBLY, HYDRAULIC LINE, FLOAT TO FLOAT
8	1	6A09000-064	ASSEMBLY, HYDRAULIC LINE, MANIFOLD TO NOSE GEAR, UP
9	1	6A09000-065	ASSEMBLY, HYDRAULIC LINE, MANIFOLD TO NOSE GEAR, DOWN
10	1	6A09000-066	ASSEMBLY, HYDRAULIC LINE, MANIFOLD TO MAIN GEAR, DOWN
11	1	6A09000-067	ASSEMBLY, HYDRAULIC LINE, MANIFOLD TO MAIN GEAR, UP
12	1	6A09000-069	ASSEMBLY, HYDRAULIC LINE, FLOAT TO FLOAT
13	2	MS35489-49	GROMMET
14	16	MS35489-9	GROMMET
Detail A	1	-	HYDRAULIC MANIFOLD COMPONENTS

*See [Detailed Views](#) section for Detailed Views explanation

HYDRAULIC AND BRAKE COMPONENTS, RIGHT FLOAT

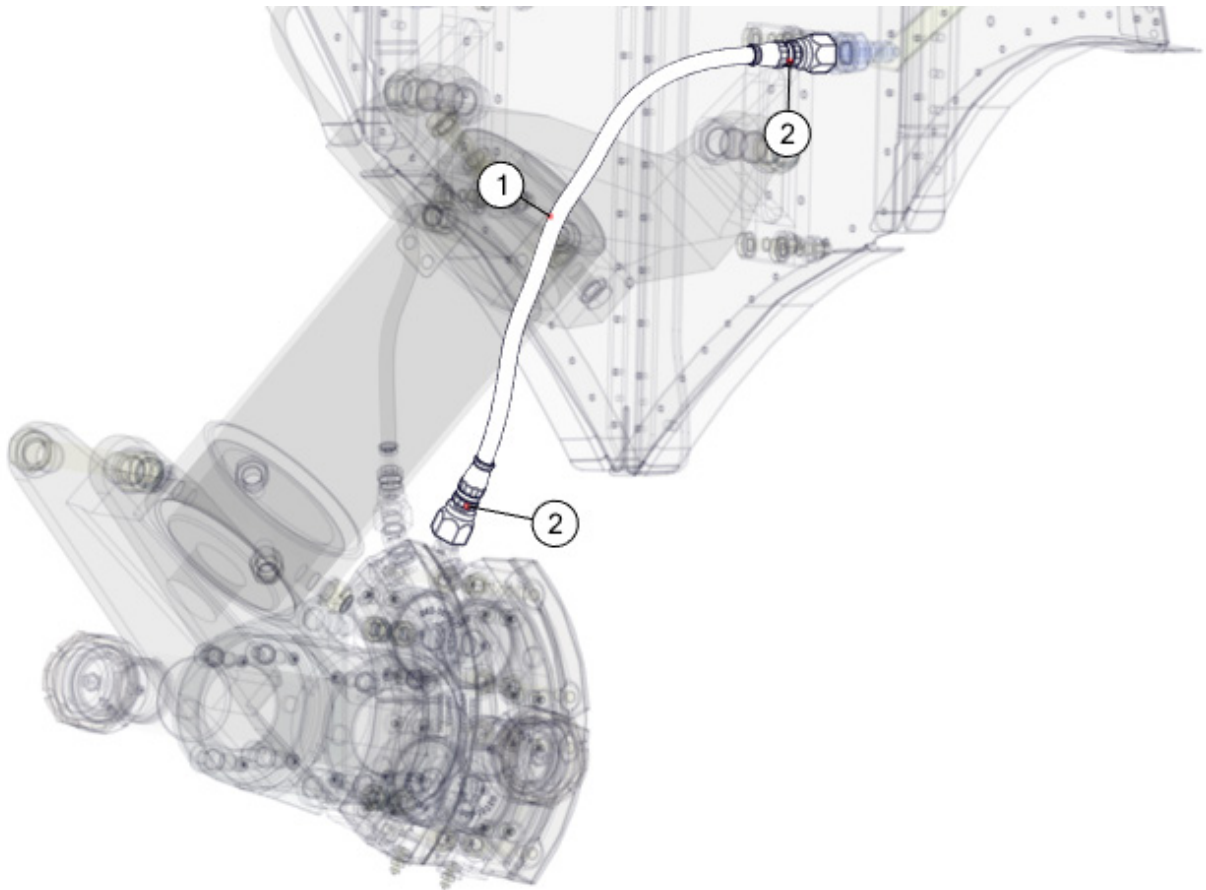


HYDRAULIC AND BRAKE COMPONENTS, RIGHT FLOAT

ITEM	QTY	PART NO.	PART DESCRIPTION
1	2	6A04000-026	ASSEMBLY, HYDRAULIC LINE, BRAKE, 14 INCH
2	1	6A04000-084	ASSEMBLY, BRAKE LINE, INTERNAL, RIGHT FLOAT
3	3	AN832-4D	UNION
4	3	AN924-4D	JAM NUT
5	6	NAS1149D0763J	WASHER
6	1	6A04000-023	ASSEMBLY, HYDRAULIC LINE, BRAKE, 83 INCH
7	1	6A09000-054	ASSEMBLY, HYDRAULIC LINE, MANIFOLD TO FLOAT DECK, RIGHT FLOAT
8	1	6A09000-058	ASSEMBLY, HYDRAULIC LINE, FLOAT TO FLOAT
9	1	6A09000-064	ASSEMBLY, HYDRAULIC LINE, MANIFOLD TO NOSE GEAR, UP
10	1	6A09000-065	ASSEMBLY, HYDRAULIC LINE, MANIFOLD TO NOSE GEAR, DOWN
11	1	6A09000-066	ASSEMBLY, HYDRAULIC LINE, MANIFOLD TO MAIN GEAR, DOWN
12	1	6A09000-067	ASSEMBLY, HYDRAULIC LINE, MANIFOLD TO MAIN GEAR, UP
13	1	6A09000-068	ASSEMBLY, HYDRAULIC LINE, MANIFOLD TO FLOAT DECK, RIGHT FLOAT
14	1	6A09000-069	ASSEMBLY, HYDRAULIC LINE, FLOAT TO FLOAT
15	2	MS35489-49	GROMMET
16	16	MS35489-9	GROMMET
Detail A	1	-	HYDRAULIC MANIFOLD COMPONENTS

*See [Detailed Views](#) section for Detailed Views explanation

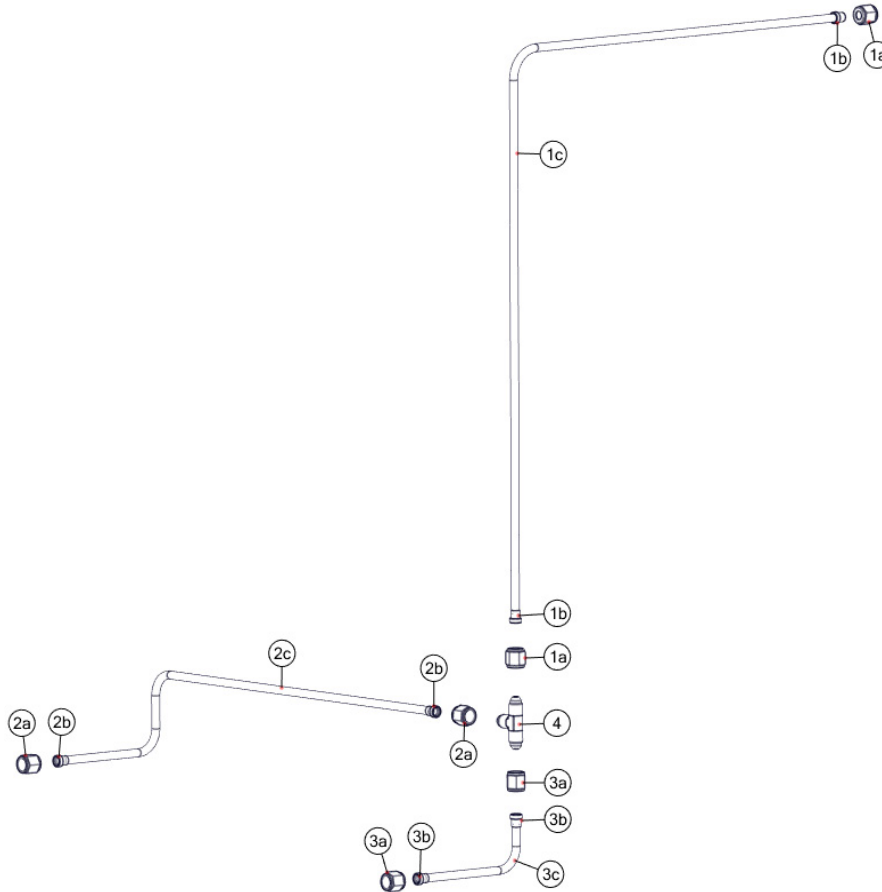
6A04000-026 ASSEMBLY, HYDRAULIC LINE, BRAKE, 14 INCH



6A04000-026 ASSEMBLY, HYDRAULIC LINE, BRAKE, 14 INCH

ITEM	QTY	PART NO.	PART DESCRIPTION
1	1.166 FT	2807-4	HOSE
2	2	63-190600-4	FITTING, STRAIGHT
-	2	PD-40	PLUG, PLASTIC (NOT SHOWN)

6A04000-083 ASSEMBLY, BRAKE LINE, INTERNAL, LEFT FLOAT

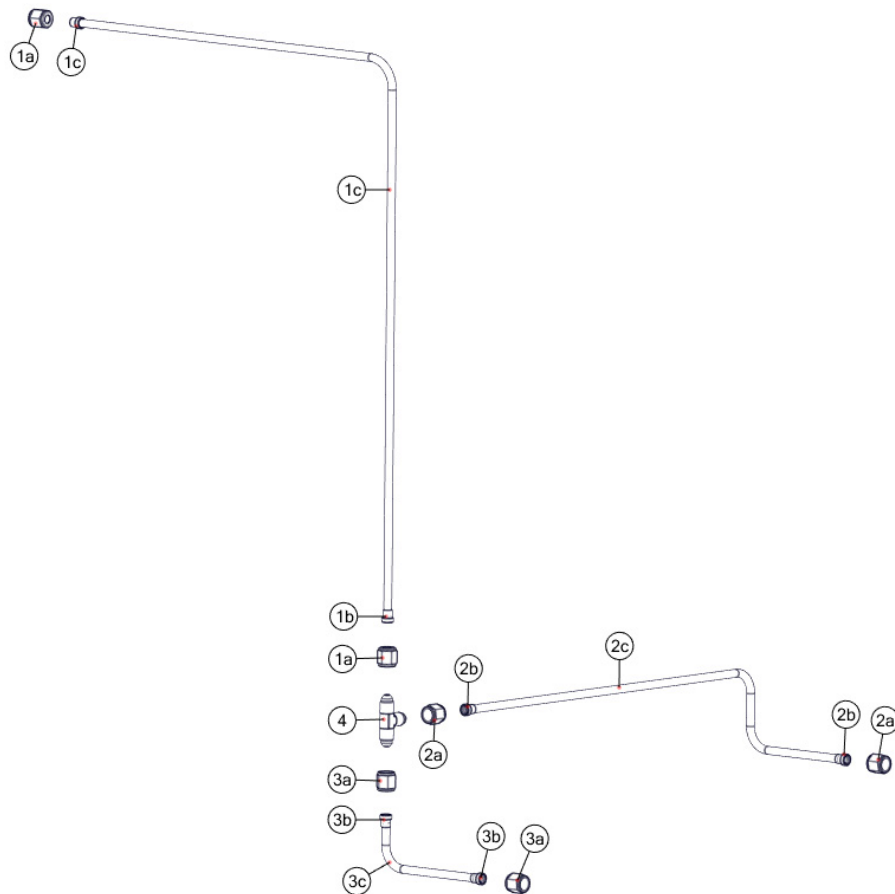


6A04000-083 ASSEMBLY, BRAKE LINE, INTERNAL, LEFT FLOAT

ITEM	QTY	PART NO.	PART DESCRIPTION
1*	1	6A04000-024	ASSEMBLY, HYDRAULIC LINE, BRAKE, 34 INCH
1a	2	AN818-4D	NUT, COUPLING
1b	2	MS20819-4D	SLEEVE, FLARED TUBE FITTING
1c	2.84'	RM411	TUBE, .250" OD
-	2	PD-40	PLUG, PLASTIC (NOT SHOWN)
2*	1	6A04000-025	ASSEMBLY, HYDRAULIC LINE, BRAKE, 20.75 INCH
2a	2	AN818-4D	NUT, COUPLING
2b	2	MS20819-4D	SLEEVE, FLARED TUBE FITTING
2c	1.73'	RM411	TUBE, .250" OD
-	2	PD-40	PLUG, PLASTIC (NOT SHOWN)
3*	1	6A04000-027	ASSEMBLY, HYDRAULIC LINE, BRAKE, 5.25 INCH
3a	2	AN818-4D	NUT, COUPLING
3b	2	MS20819-4D	SLEEVE, FLARED TUBE FITTING
3c	.44'	RM411	TUBE, .250" OD
-	2	PD-40	PLUG, PLASTIC (NOT SHOWN)
4	1	AN824-4D	TEE FITTING

*See [Nomenclature System](#) section when ordering assemblies

6A04000-084 ASSEMBLY, BRAKE LINE, INTERNAL, RIGHT FLOAT

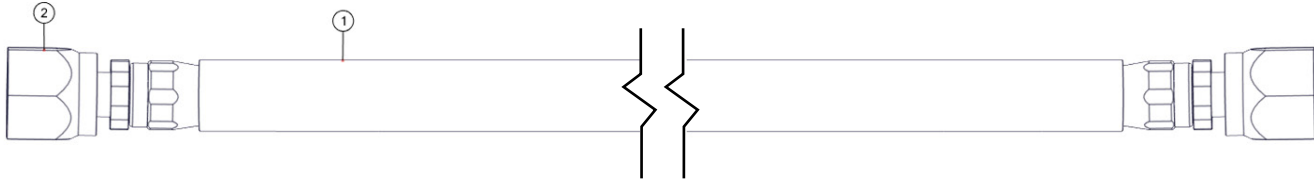


6A04000-084 ASSEMBLY, BRAKE LINE, INTERNAL, RIGHT FLOAT

ITEM	QTY	PART NO.	PART DESCRIPTION
1*	1	6A04000-024	ASSEMBLY, HYDRAULIC LINE, BRAKE, 34 INCH
1a	2	AN818-4D	NUT, COUPLING
1b	2	MS20819-4D	SLEEVE, FLARED TUBE FITTING
1c	2.84 FT	RM411	TUBE, .250" OD
-	2	PD-40	PLUG, PLASTIC (NOT SHOWN)
2*	1	6A04000-025	ASSEMBLY, HYDRAULIC LINE, BRAKE, 20.75 INCH
2a	2	AN818-4D	NUT, COUPLING
2b	2	MS20819-4D	SLEEVE, FLARED TUBE FITTING
2c	1.73'	RM411	TUBE, .250" OD
-	2	PD-40	PLUG, PLASTIC (NOT SHOWN)
3*	1	6A04000-027	ASSEMBLY, HYDRAULIC LINE, BRAKE, 5.25 INCH
3a	2	AN818-4D	NUT, COUPLING
3b	2	MS20819-4D	SLEEVE, FLARED TUBE FITTING
3c	.44'	RM411	TUBE, .250" OD
-	2	PD-40	PLUG, PLASTIC (NOT SHOWN)
4	1	AN824-4D	TEE FITTING

*See [Nomenclature System](#) section when ordering assemblies

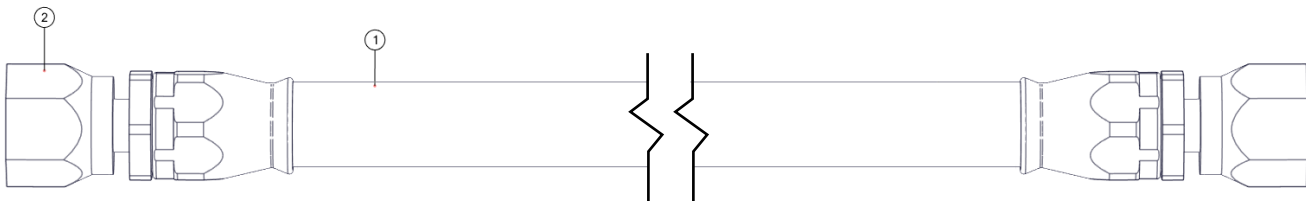
6A04000-023 ASSEMBLY, HYDRAULIC LINE, BRAKE, 83 INCH



6A04000-023 ASSEMBLY, HYDRAULIC LINE, BRAKE, 83 INCH

ITEM	QTY	PART NO.	PART DESCRIPTION
1	6.92'	2807-4	HOSE
2	2	63-190600-4	FITTING, STRAIGHT
-	6.92'	HS105-3/8-0	TUBING, HEAT SHRINK (NOT SHOWN)
-	1	PD-40	PLUG, PLASTIC (NOT SHOWN)

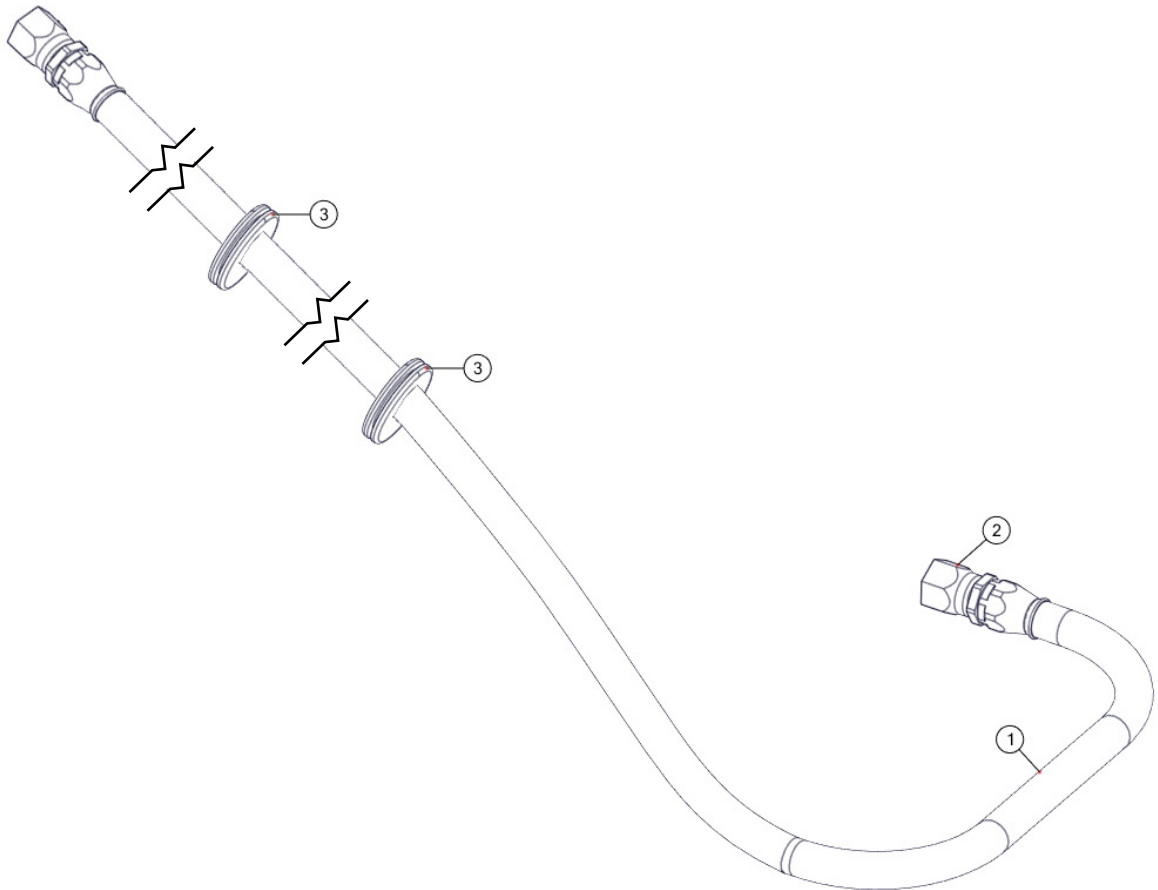
**6A09000-054 ASSEMBLY, HYDRAULIC LINE, MANIFOLD TO DECK,
RIGHT FLOAT**



6A09000-054 ASSEMBLY, HYDRAULIC LINE, MANIFOLD TO FLOAT DECK, RIGHT FLOAT

ITEM	QTY	PART NO.	PART DESCRIPTION
1	1.125'	2807-5	HOSE
2	2	63-190600-5	FITTING, STRAIGHT
-	2	PD-50	PLUG, PLASTIC (NOT SHOWN)

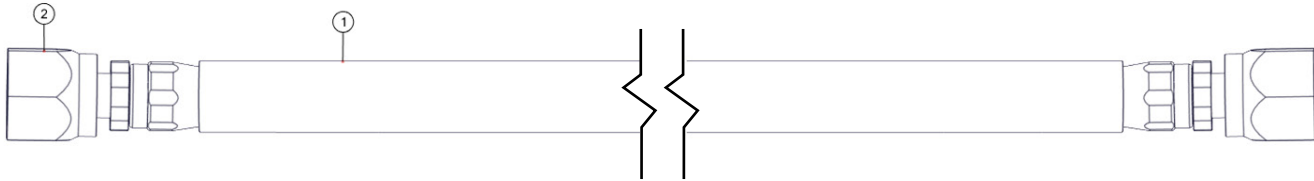
6A09000-058 ASSEMBLY, HYDRAULIC LINE, FLOAT TO FLOAT



6A09000-058 ASSEMBLY, HYDRAULIC LINE, FLOAT TO FLOAT

ITEM	QTY	PART NO.	PART DESCRIPTION
1	10.5'	2807-5	HOSE
2	2	63-190600-5	FITTING, STRAIGHT
3	2	MS35489-12	GROMMET
-	10.5'	HS105-1/2-0	TUBING, HEAT SHRINK (NOT SHOWN)
-	1	PD-50	PLUG, PLASTIC (NOT SHOWN)

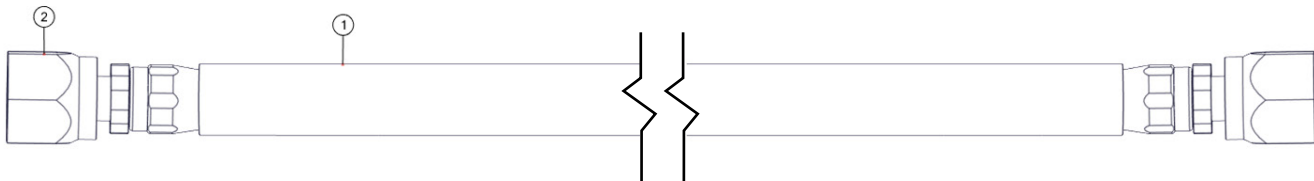
6A09000-064 ASSEMBLY, HYDRAULIC LINE, MANIFOLD TO NOSE GEAR, UP



6A09000-064 ASSEMBLY, HYDRAULIC LINE, MANIFOLD TO NOSE GEAR, UP

ITEM	QTY	PART NO.	PART DESCRIPTION
1	6.333'	2807-4	HOSE
2	2	63-190600-4	FITTING, STRAIGHT
-	1	PD-40	PLUG, PLASTIC (NOT SHOWN)

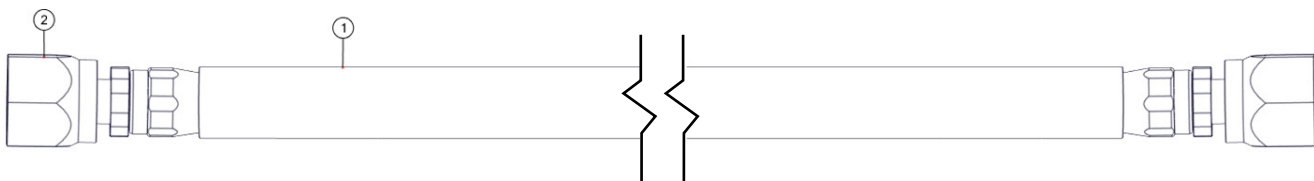
6A09000-065 ASSEMBLY, HYDRAULIC LINE, MANIFOLD TO NOSE GEAR, DOWN



6A09000-065 ASSEMBLY, HYDRAULIC LINE, MANIFOLD TO NOSE GEAR, DOWN

ITEM	QTY	PART NO.	PART DESCRIPTION
1	4.5'	2807-4	HOSE
2	2	63-190600-4	FITTING, STRAIGHT
-	1	PD-40	PLUG, PLASTIC (NOT SHOWN)

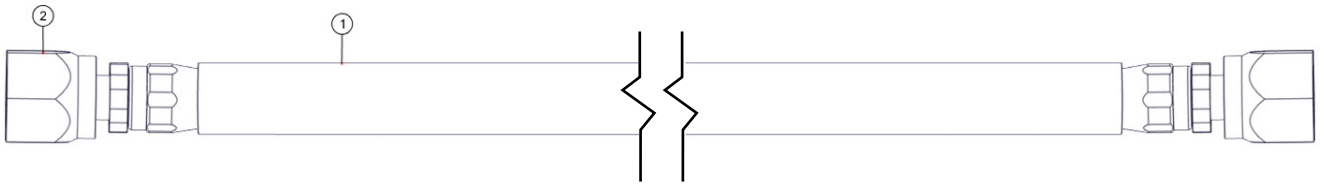
6A09000-066 ASSEMBLY, HYDRAULIC LINE, MANIFOLD TO MAIN GEAR, DOWN



6A09000-066 ASSEMBLY, HYDRAULIC LINE, MANIFOLD TO MAIN GEAR, DOWN

ITEM	QTY	PART NO.	PART DESCRIPTION
1	6.833'	2807-4	HOSE
2	2	63-190600-4	FITTING, STRAIGHT
-	1	PD-40	PLUG, PLASTIC (NOT SHOWN)

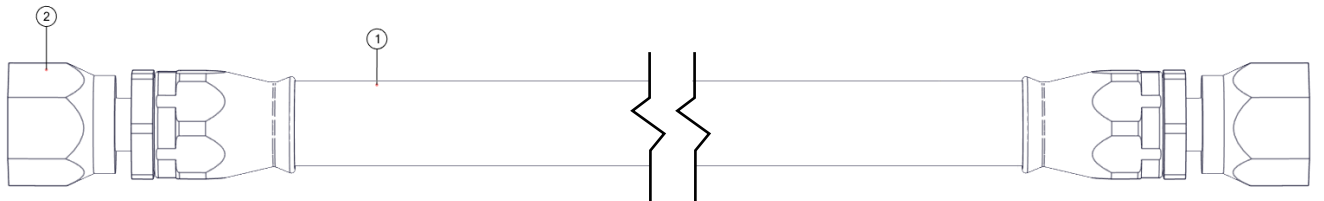
6A09000-067 ASSEMBLY, HYDRAULIC LINE, MANIFOLD TO MAIN GEAR, UP



6A09000-067 ASSEMBLY, HYDRAULIC LINE, MANIFOLD TO MAIN GEAR, UP

ITEM	QTY	PART NO.	PART DESCRIPTION
1	9.583'	2807-4	HOSE
2	2	63-190600-4	FITTING, STRAIGHT

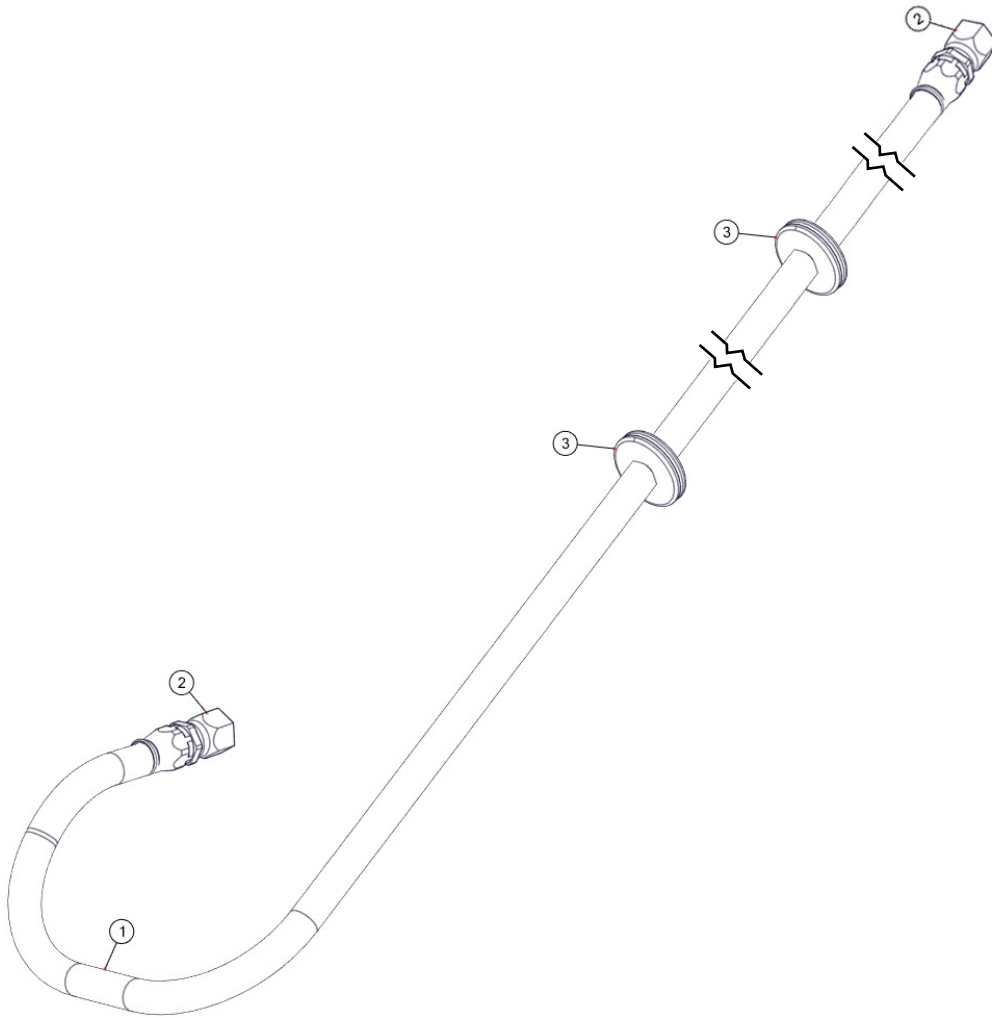
6A09000-068 ASSEMBLY, HYDRAULIC LINE, MANIFOLD TO FLOAT DECK, RIGHT FLOAT



6A09000-068 ASSEMBLY, HYDRAULIC LINE, MANIFOLD TO FLOAT DECK, RIGHT FLOAT

ITEM	QTY	PART NO.	PART DESCRIPTION
1	1.125'	2807-5	HOSE
2	2	63-190600-5	FITTING, STRAIGHT
-	2	PD-50	PLUG, PLASTIC (NOT SHOWN)

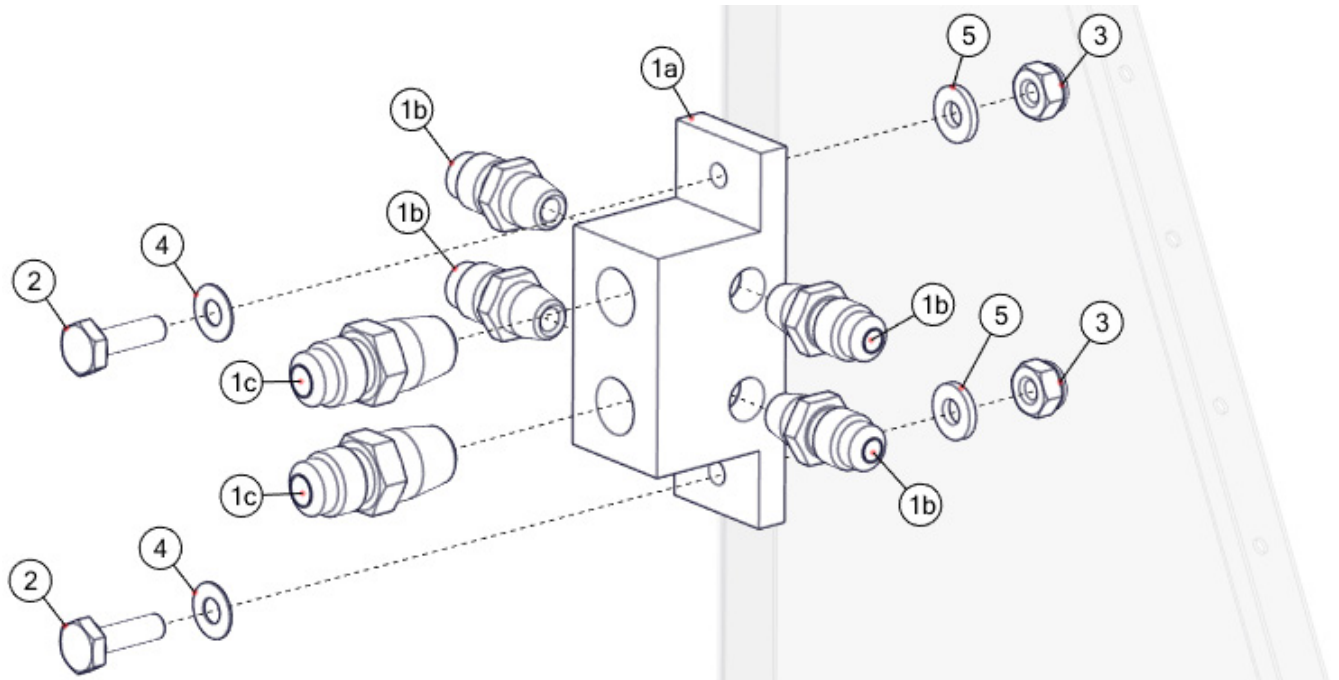
6A09000-069 ASSEMBLY, HYDRAULIC LINE, FLOAT TO FLOAT



6A09000-069 ASSEMBLY, HYDRAULIC LINE, FLOAT TO FLOAT

ITEM	QTY	PART NO.	PART DESCRIPTION
1	10.42'	2807-5	HOSE
2	2	63-190600-5	FITTING, STRAIGHT
3	2	MS35489-12	GROMMET
-	10.42'	HS105-1/2-0	TUBING, HEAT SHRINK (NOT SHOWN)
-	1	PD-50	PLUG, PLASTIC (NOT SHOWN)

HYDRAULIC AND BRAKE COMPONENTS, LEFT FLOAT DETAIL A HYDRAULIC MAINFOLD COMPONENTS

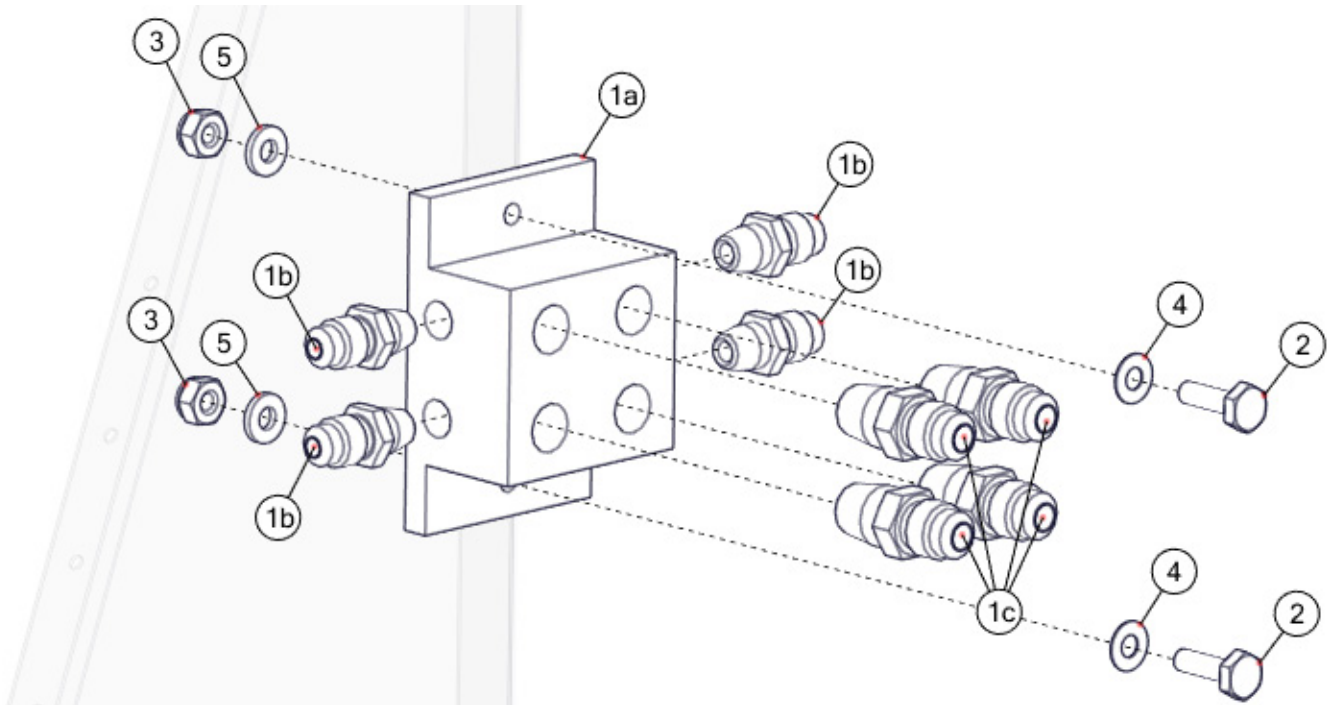


HYDRAULIC AND BRAKE COMPONENTS, LEFT FLOAT DETAIL A HYDRAULIC MANIFOLD COMPONENTS

ITEM	QTY	PART NO.	PART DESCRIPTION
1*	1	6A09000-027	ASSEMBLY, MANIFOLD, HYDRAULIC, LEFT FLOAT
1a	1	6A09207-001	MANIFOLD, HYDRAULIC, LEFT FLOAT
1b	4	AN816-4D	FITTING
1c	2	AN816-5-4D	FITTING
2	2	AN3-5A	BOLT
3	2	MS21044N3	NUT
4	2	NAS1149D0316J	WASHER
5	2	NAS1149D0363J	WASHER

*See [Nomenclature System](#) section when ordering assemblies

HYDRAULIC AND BRAKE COMPONENTS, RIGHT FLOAT DETAIL A HYDRAULIC MAINFOLD COMPONENTS

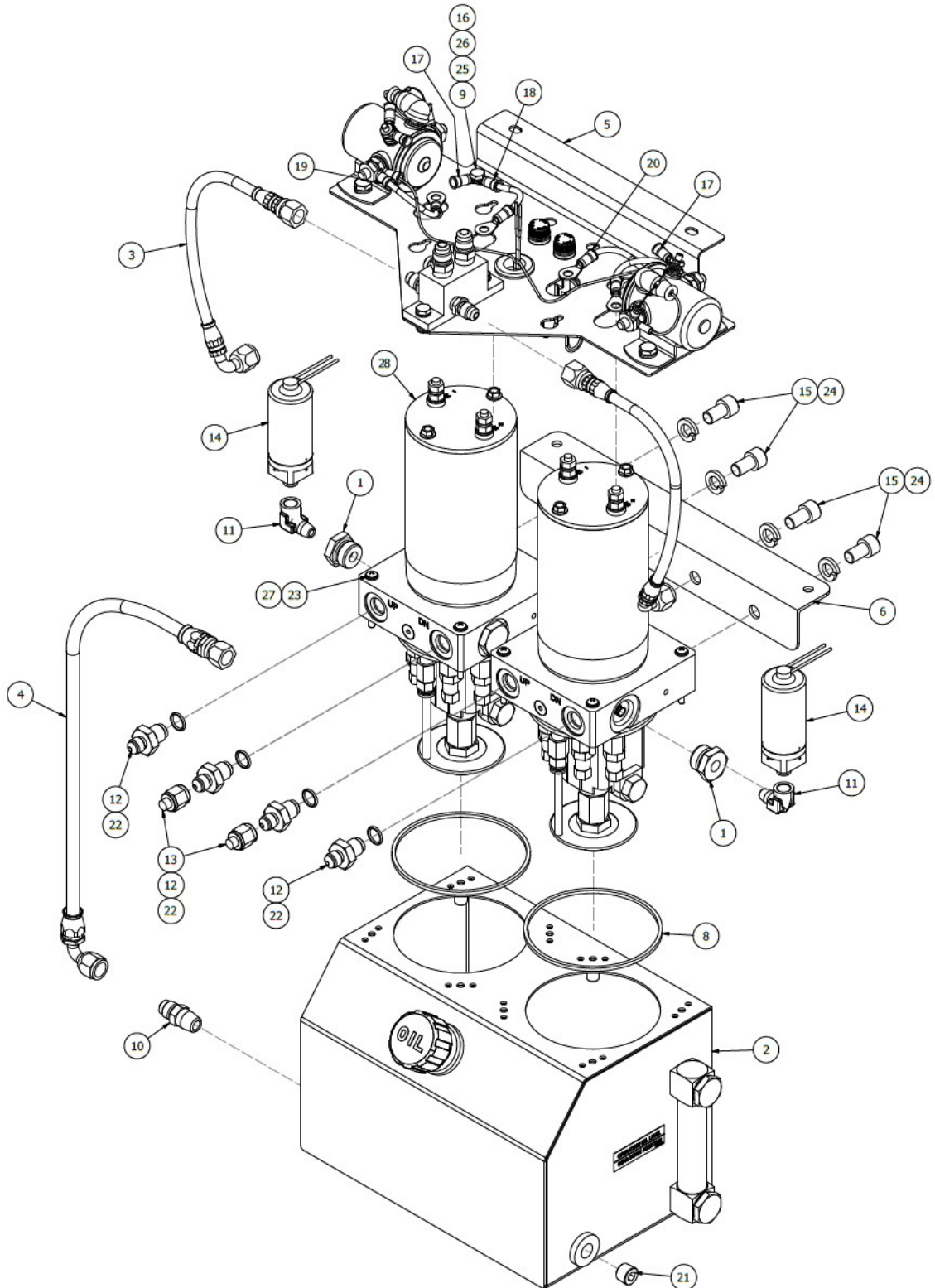


HYDRAULIC AND BRAKE COMPONENTS, RIGHT FLOAT DETAIL A HYDRAULIC MANIFOLD COMPONENTS

ITEM	QTY	PART NO.	PART DESCRIPTION
1*	1	6A09000-028	ASSEMBLY, MANIFOLD, HYDRAULIC, RIGHT FLOAT
1a	1	6A09046-001	MANIFOLD, HYDRAULIC, RIGHT FLOAT
1b	4	AN816-4D	FITTING
1c	4	AN816-5-4D	FITTING
2	2	AN3-5A	BOLT
3	2	MS21044N3	NUT
4	2	NAS1149D0316J	WASHER
5	2	NAS1149D0363J	WASHER

*See [Nomenclature System](#) section when ordering assemblies

1011404 ASSEMBLY, HYDRAULIC POWER PACK (UNI-DIRECTIONAL) POST SERVICE LETTER 214 & 215

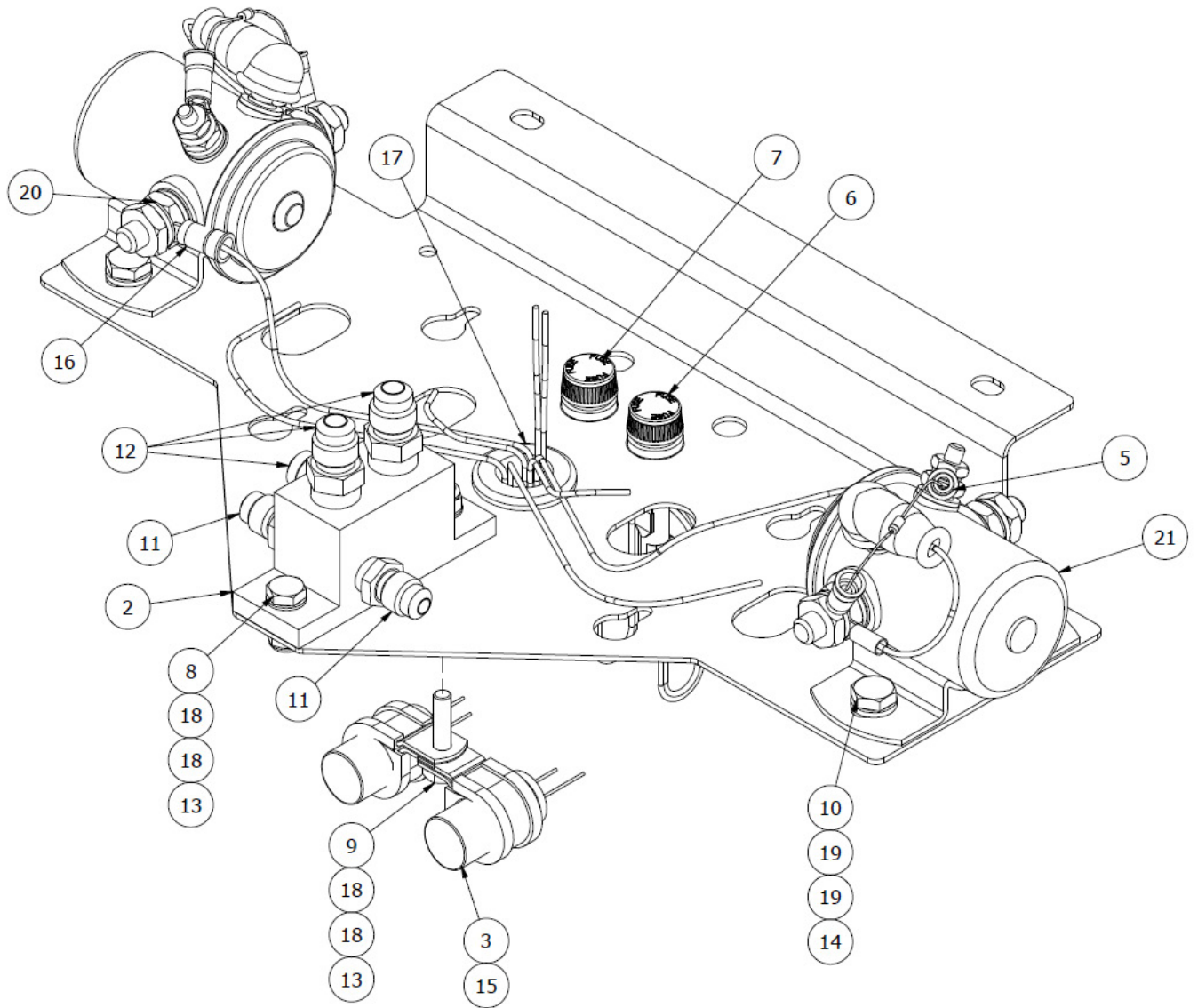


**1011404 ASSEMBLY, HYDRAULIC POWER PACK (UNI-DIRECTIONAL)
POST SERVICE LETTER 214 & 215**

ITEM	QTY	PART NO.	PART DESCRIPTION
-	1	1011404	ASSEMBLY, HYDRAULIC POWER PACK
1	2	1011062	ASSEMBLY, PLUG, PRESSURE SWITCH PORT
2	1	1011359	ASSEMBLY, HYDRAULIC PUMP RESERVOIR
3	2	1011361-01	HYDRAULIC HOSE ASSEMBLY, MANIFOLD TO PUMP
4	1	1011361-05	HOSE, MANIFOLD TO RESERVOIR
5	1	1011402	ASSEMBLY, BRACKET, PUMP MOUNT
6	1	1011403	ANGLE, PUMP MOUNT, LOWER
7	1	22759-16-12-9	WIRE, 12AWG, WHITE
8	2	4061T199	SQUARE PROFILE, O-RING, 3.5" I.D., .094 THK
9	2	AN3-4A	BOLT, 10-32, 0.125 GRIP, UNDRILLED, STEEL
10	1	AN816-5-4D	NIPPLE, FLARED TUBE AND PIPE THREAD
11	2	AN914-1D	ELBOW, 90 DEGREES, INTERNALEXTERNAL PIPE
12	4	AN919-3D	FITTING, REDUCER
13	2	AN929-4	CAP
14	2	GPP1250-40	PRESSURE SWITCH
15	4	MS16997-96	SOCKET HEAD CAP SCREW
16	2	MS21044N3	NUT, LOCKING, REGULAR HEIGHT, 10-32 UNF
17	4	MS25036-103	RING TERNMINAL, #10 STUD, 22-16 AWG, RED
18	2	MS25036-112	RING TERNMINAL, #10 STUD, 10-12 AWG, YELLOW
19	2	MS25036-113	RING TERNMINAL, 5/16 STUD, 10-12 AWG, YELLOW
20	4	MS25036-157	RING TERNMINAL, #10 STUD, 10-12 AWG, YELLOW
21	1	MS27769D3	PLUG, PIPE, COUNTERSINK HEX HEAD
22	4	MS28775-013	"O" RING, HYDRAULIC
23	8	MS35206-252	SCREW, MACHINE, PAN HEAD
24	4	MS35338-46	WASHER, SPLIT
25	2	NAS1149F0332P	WASHER, 0.203 ID, 0.032 THK, STEEL
26	2	NAS1149F0363P	WASHER, 0.203 ID, 0.063 THK, STEEL
27	8	NAS1149FN832P	WASHER, 0.174 ID, 0.032 THK, STEEL
28	2	YBZS- D0.63W2T100K/ UVZOT2	HYDRAULIC POWER PACK, 24VDC, .64 PUMP

*See [Nomenclature System](#) section when ordering assemblies

1011402 ASSEMBLY, BRACKET, PUMP MOUNT POST SERVICE LETTER 214 & 215

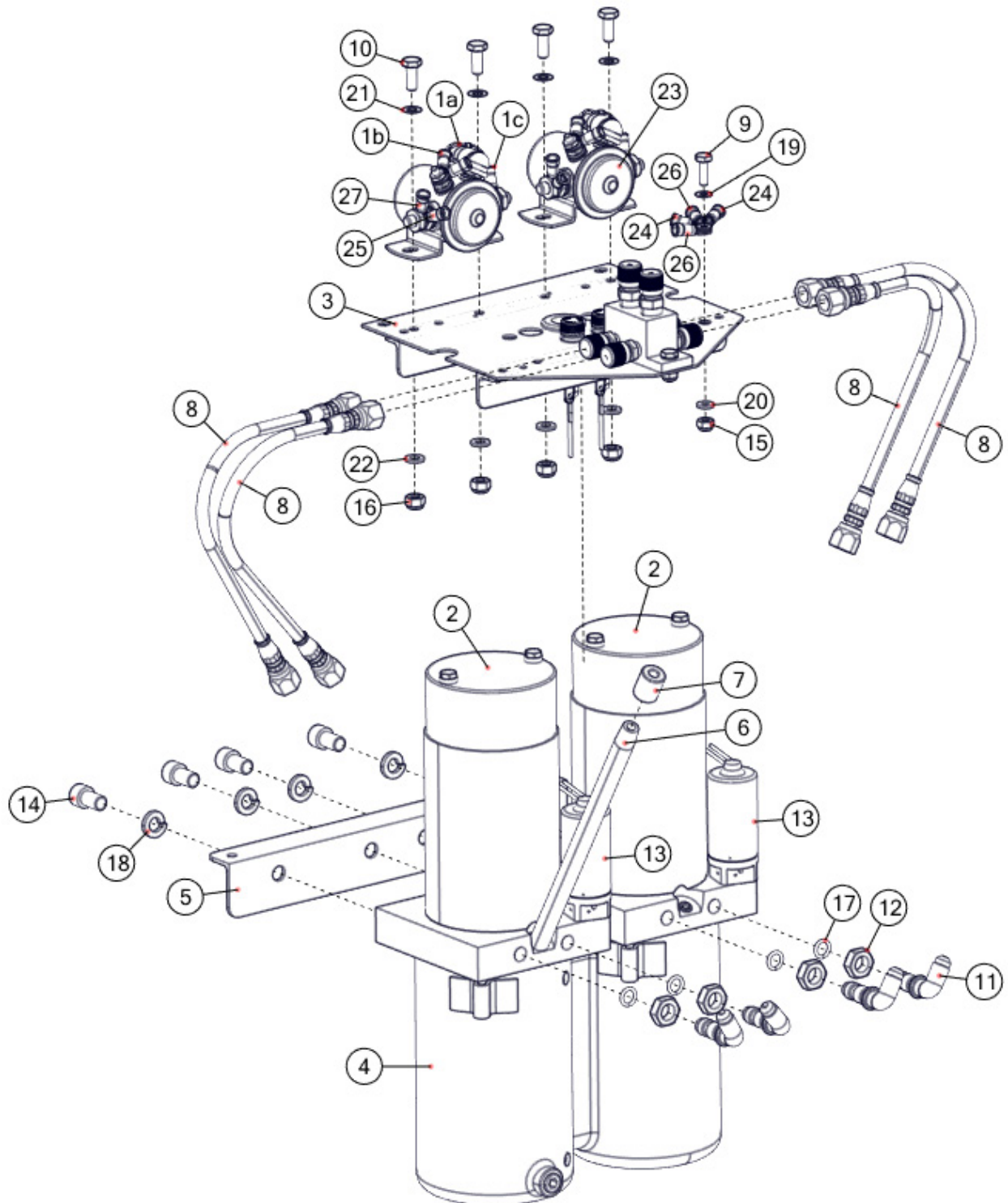


**1011402 ASSEMBLY, BRACKET, PUMP MOUNT
POST SERVICE LETTER 214 & 215**

ITEM	QTY	PART NO.	PART DESCRIPTION
-	1	1011402	ASSEMBLY, BRACKET, PUMP MOUNT
1	1	1011401	UPPER BRACKET, HYDRAULIC PUMP
2	1	1011405	MANIFOLD, HYDRAULIC
3	2	1011798	ASSEMBLY, CAPACITOR
4	4 FT	22759-16-20-9	WIRE, 20 AWG, WHITE
5	2	3A10000-002	ASSEMBLY, SOLENOID DIODE
6	1	6A09000-128	ASSEMBLY, FUSE HOLDER, RIGHT
7	1	6A09000-129	ASSEMBLY, FUSE HOLDER, LEFT
8	1	AN3-5A	BOLT, 10-32, 0.25 GRIP, UNDRILLED, STEEL
9	1	AN3-7A	BOLT, 10-32, 0.5 GRIP, UNDRILLED, STEEL
10	4	AN4-5A	BOLT, 1/4-28, 0.1875 GRIP, UNDRILLED, STEEL
11	2	AN816-4D	NIPPLE, FLARED TUBE AND PIPE THREAD
12	3	AN816-5-4D	NIPPLE, FLARED TUBE AND PIPE THREAD
13	2	MS21044N3	NUT, LOCKING, REGULAR HEIGHT, 10-32 UNF
14	4	MS21044N4	NUT, LOCKING, REGULAR HEIGHT, 1/4-28 UNF
15	2	MS21919WDG10	CLAMP, LOOP, CUSHIONED, 5/8 TUBE OD
16	2	MS25036-104	RING TERMINAL, 5/16 STUD, 22-16 AWG, RED
17	1	MS35489-17	GROMMET, RUBBER
18	4	NAS1149F0332P	WASHER, 0.203 ID, 0.032 THK, STEEL
19	8	NAS1149F0463P	WASHER, 0.265 ID, 0.063 THK, STEEL
20	4	NAS1149F0532P	WASHER, 0.328 ID, 0.032 THK, STEEL
21	2	P52-0035-1	STARTER, 24V

*See [Nomenclature System](#) section when ordering assemblies

6A09000-029 ASSEMBLY, HYDRAULIC PUMP (UNIDIRECTIONAL) PRE SERVICE LETTER 214 & 215



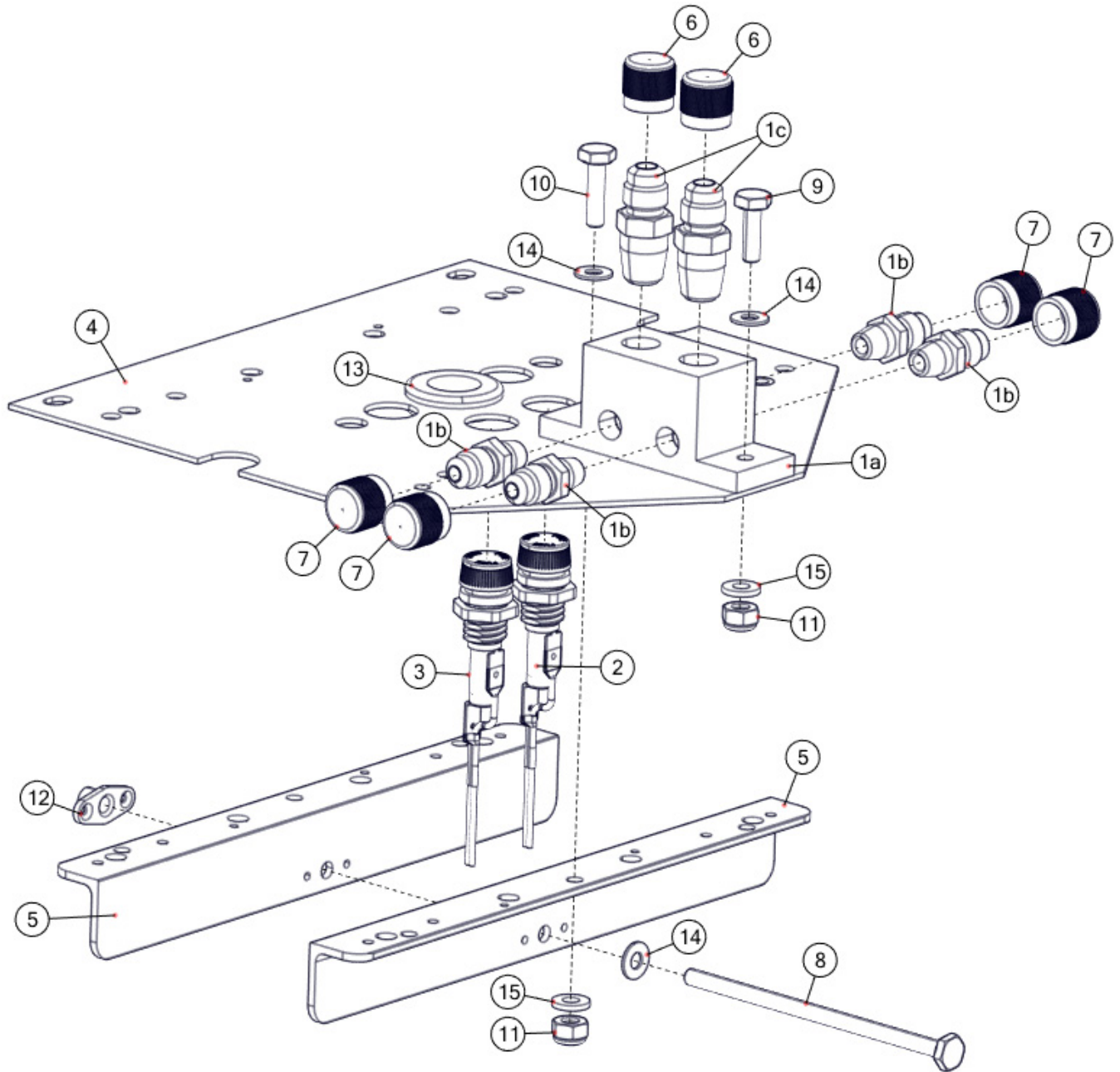
**6A09000-029 HYDRAULIC PUMP (UNIDIRECTIONAL)
PRE SERVICE LETTER 214 & 215**

ITEM	QTY	PART NO.	PART DESCRIPTION
1*	1	3A10000-002	ASSEMBLY, SOLENOID DIODE
1a	1	1N4004	DIODE
1b	1	R-5	RING CONNECTOR
1c	1	R-7	RING CONNECTOR
2	2	636603A*	ASSEMBLY, PUMP, WITH MOTOR
3	1	6A09000-030	ASSEMBLY, PUMP MOUNT BRACKET
4	1	6A09000-115	ASSEMBLY, RESERVOIR
5	1	6A09348-003	ANGLE, ATTACH, HYDRAULIC PUMP
6	1	6A09398-001	FILLER PIPE, HYDRAULIC PUMP
7	1	6A09706-001	FILTER, HYDRAULIC PUMP
8	4	8A09000-048	ASSEMBLY, HYDRAULIC LINE, HYDRAULIC PUMP
9	1	AN3-5A	BOLT
10	4	AN4-5A	BOLT
11	4	AN833-4D	FITTING, ELBOW
12	1	AN924-4D	JAM NUT
13	2	GPP1250-23	PRESSURE SWITCH
14	4	MS16997-96	SCREW
15	1	MS21044N3	NUT
16	4	MS21044N4	NUT
17	4	MS28775-012	O-RING
18	4	MS35338-46	SPLIT WASHER
19	1	NAS1149D0316J	WASHER
20	1	NAS1149D0363J	WASHER
21	4	NAS1149D0416J	WASHER
22	4	NAS1149D0463J	WASHER
23	2	P52-0035-1	STARTER, 24V
24	4	R-5	RING CONNECTOR
25	2	R-7	RING CONNECTOR
26	2	Y-4	RING CONNECTOR
27	2	Y-6	RING CONNECTOR

*See [Nomenclature System](#) section when ordering assemblies

* Hydraulic Pump 636603A has individual alternate part numbers that can be found on Wipaire drawing 1011032 Contact Wipaire Customer Service for details.

6A09000-030 ASSEMBLY, PUMP MOUNT BRACKET (UNIDIRECTIONAL) PRE SERVICE LETTER 214 & 215

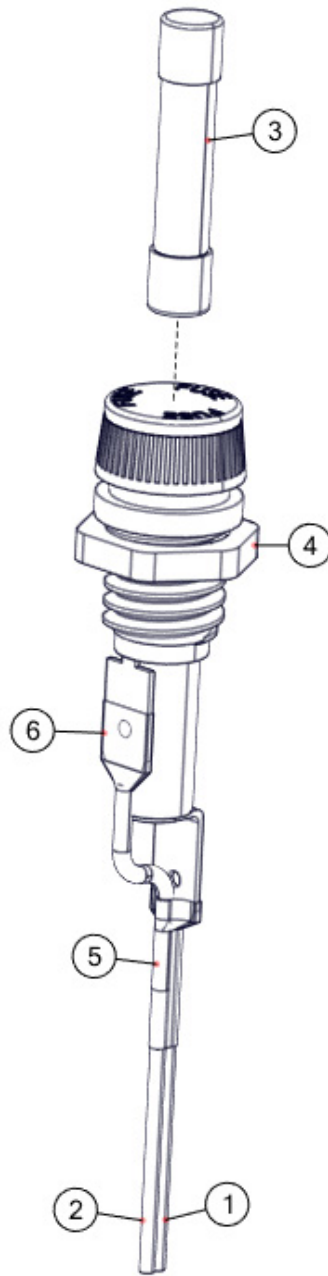


**6A09000-030 ASSEMBLY, PUMP MOUNT BRACKET
PRE SERVICE LETTER 214 & 215**

ITEM	QTY	PART NO.	PART DESCRIPTION
1*	1	6A09000-027	ASSEMBLY, MANIFOLD, HYDRAULIC
1a	1	6A09207-001	MANIFOLD, HYDRAULIC
1b	4	AN816-4D	FITTING
1c	2	AN816-5-4D	FITTING
2	1	6A09000-128	ASSEMBLY, FUSE HOLDER, RIGHT
3	1	6A09000-129	ASSEMBLY, FUSE HOLDER, LEFT
4	1	6A09003-029	BRACKET, HYDRAULIC PUMP
5	2	6A09359-055	ANGLE, PUMP MOUNT, PLATE, TOP
6	2	820-01291	CAP
7	4	824-0299	CAP
8	1	AN3-37A	BOLT
9	1	AN3-5A	BOLT
10	1	AN3-6A	BOLT
11	2	MS21044N3	NUT
12	1	MS21078-3	NUT PLATE
13	1	MS35489-17	GROMMET
14	3	NAS1149F0332P	WASHER
15	2	NAS1149F0363P	WASHER

*See [Nomenclature System](#) section when ordering assemblies

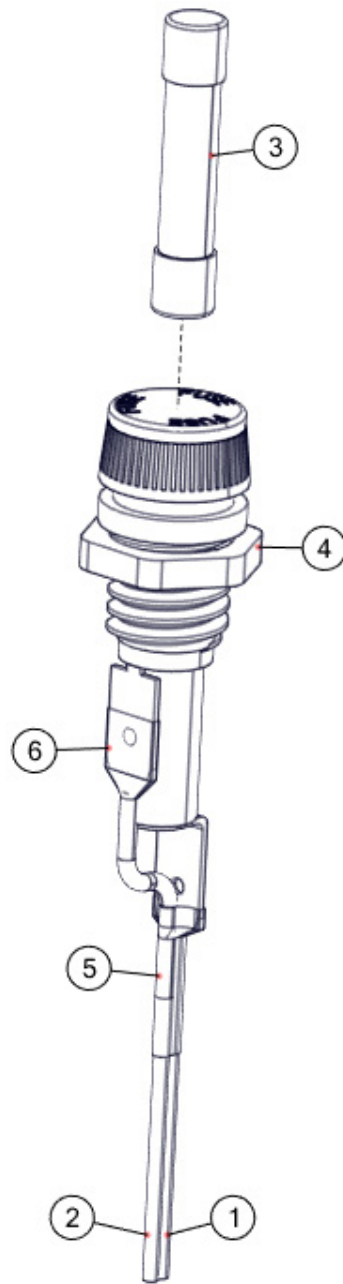
6A09000-128 ASSEMBLY, FUSE HOLDER, RIGHT



6A09000-128 ASSEMBLY, FUSE HOLDER, RIGHT

ITEM	QTY	PART NO.	PART DESCRIPTION
1	1	22759-16-20-9GE10	WIRE, 20 AWG, WHITE, MARKED GE10
2	1	22759-16-20-9GE12	WIRE, 20 AWG, WHITE, MARKED GE12
3	1	AGC-1	FUSE, 250V
4	1	HCM	FUSE HOLDER
5	1	HS105-3/16-0	HEAT SHRINK, TUBING, BLACK
6	1	RNF-3/32-0	TUBING, SHRINK BLACK

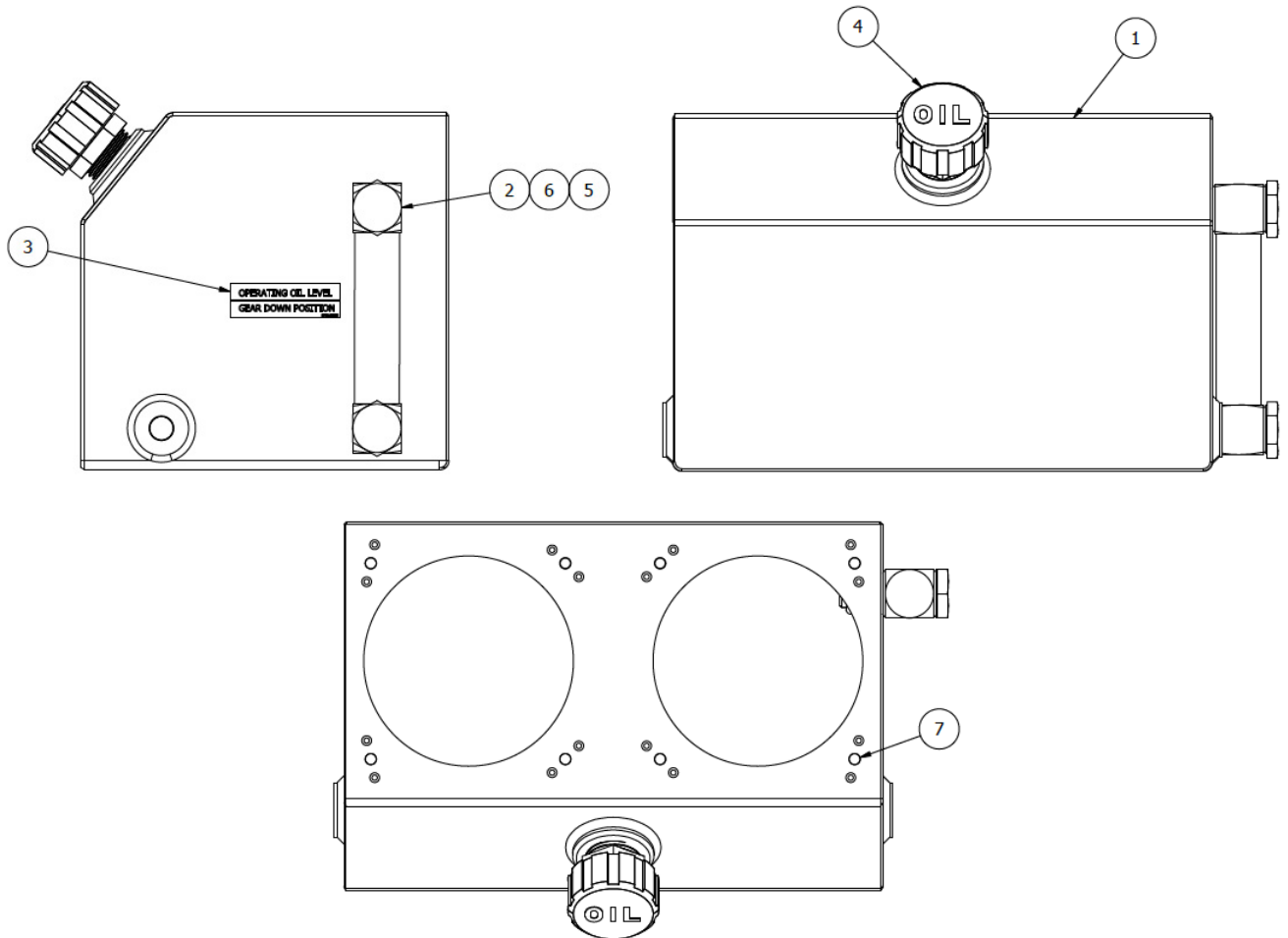
6A09000-129 ASSEMBLY, FUSE HOLDER, LEFT



6A09000-129 ASSEMBLY, FUSE HOLDER, LEFT

ITEM	QTY	PART NO.	PART DESCRIPTION
1	1	22759-16-20-9GE11	WIRE, 20 AWG, WHITE, MARKED GE11
2	1	22759-16-20-9GE12	WIRE, 20 AWG, WHITE, MARKED GE12
3	1	AGC-1	FUSE, 250V
4	1	HCM	FUSE HOLDER
5	1	HS105-3/16-0	HEAT SHRINK, TUBING, BLACK
6	1	RNF-3/32-0	TUBING, SHRINK BLACK

1011359 ASSEMBLY, HYDRAULIC PUMP RESERVOIR POST SERVICE LETTER 214 & 215

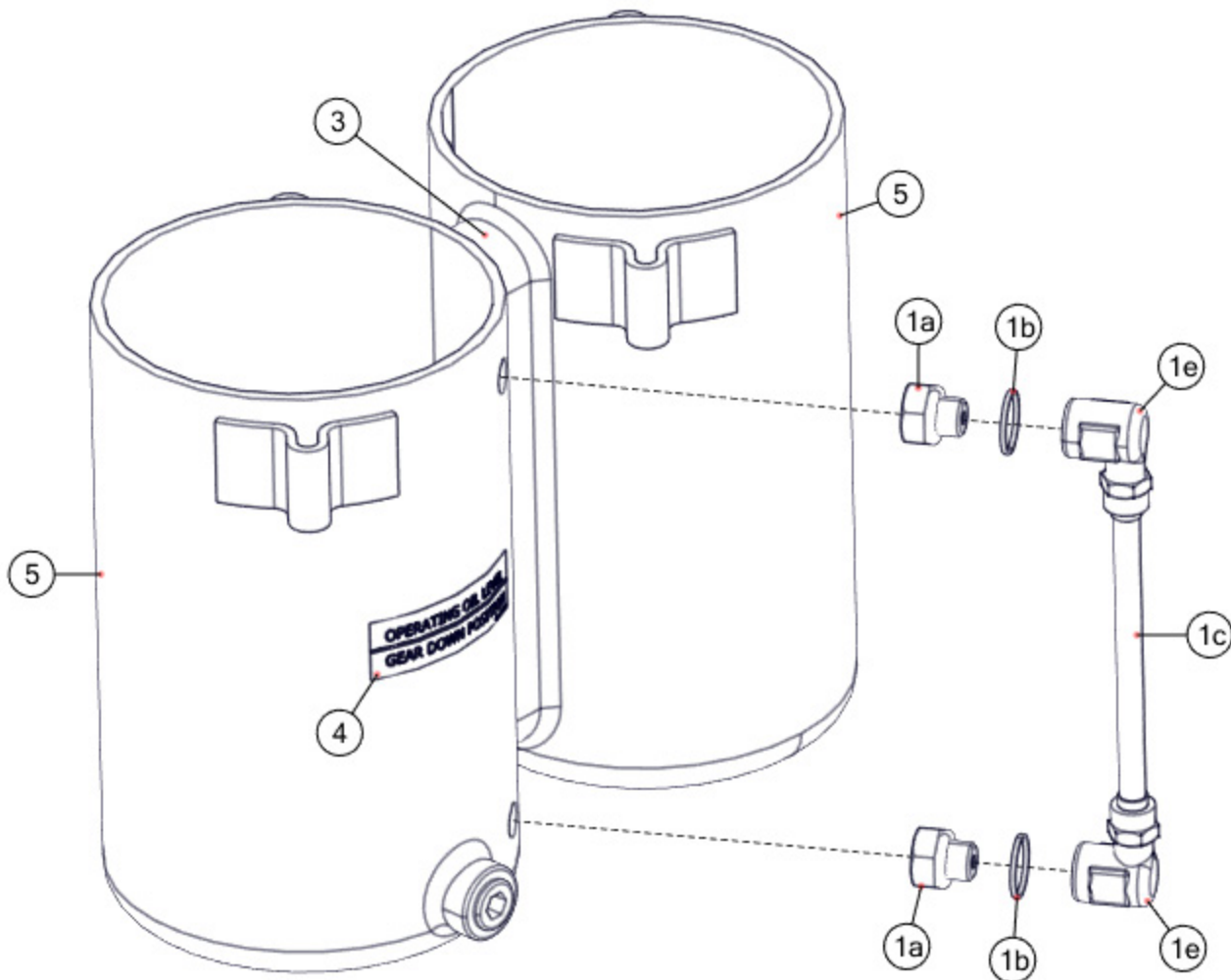


1011359 ASSEMBLY, HYDRAULIC PUMP RESERVOIR POST SERVICE LETTER 214 & 215

ITEM	QTY	PART NO.	PART DESCRIPTION
-	1	1011359	ASSEMBLY, HYDRAULIC PUMP RESERVOIR
1	1	1011359B	BLANK, ASSEMBLY, HYDRAULIC PUMP RESERVOIR
2	1	1192K17	LIQUID LEVEL INDICATOR, 4"
3	1	6A3-2199	PLACARD, OIL LEVEL
4	1	8631T24	BREATHER VENT, WITH SPLASH GUARD
5	2	MS21044N8	NUT, LOCKING, REGULAR HEIGHT, 1/2-20 UNF
6	2	NAS1149D0832J	WASHER, 0.515 ID, 0.032 THK, ALUMINUM
7	8	NAS1473A08	NUTPLATE SEALED

*See [Nomenclature System](#) section when ordering assemblies

**6A09000-115 ASSEMBLY, RESERVOIR
PRE SERVICE LETTER 214 & 215**

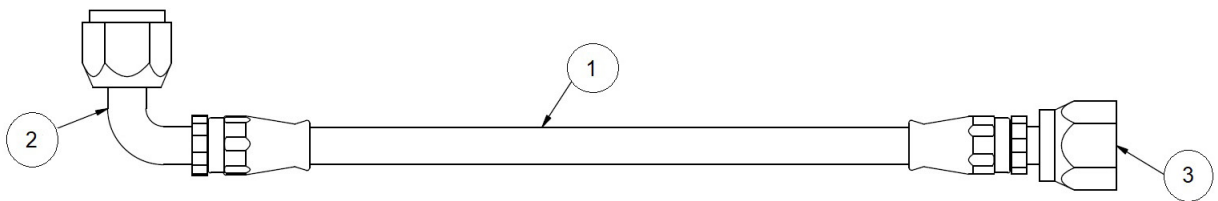


**6A09000-115 ASSEMBLY, RESERVOIR
PRE SERVICE LETTER 214 & 215**

ITEM	QTY	PART NO.	PART DESCRIPTION
1*	1	1005344	ASSEMBLY, SIGHT GAUGE, HYDRAULIC RESERVOIR
1a	2	360824	SIGHT GAUGE SCREW
1b	2	361049	O-RING RETAINER
1c	1	361507	SIGHT GAUGE TUBE
1d	2	402266	O-RING
1e	2	410330	SIGHT GAUGE ELBOW
2	1	6A09183-003	SPACER, HYDRAULIC PUMP
3	1	6A3-2199	PLACARD, OIL LEVEL
4	2	704528	RESERVOIR

*See [Nomenclature System](#) section when ordering assemblies

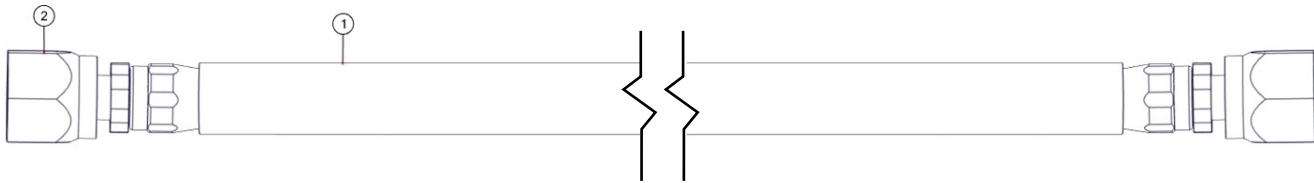
1011361-01 HYDRAULIC HOSE ASSEMBLY, MANIFOLD TO PUMP
POST SERVICE LETTER 214 & 215



1011361-01 HYDRAULIC HOSE ASSEMBLY, MANIFOLD TO PUMP
POST SERVICE LETTER 214 & 215

ITEM	QTY	PART NO.	PART DESCRIPTION
-	1	1011361-01	HYDRAULIC HOSE ASSEMBLY, MANIFOLD TO PUMP
1	1 FT.	2807-4	HOSE, PUMP TO MANIFOLD
2	1	190772-4	FITTING, AERO QUIP #4, 90 DEGREE
3	1	63-190600-4	FITTING, AERO QUIP HOSE #4

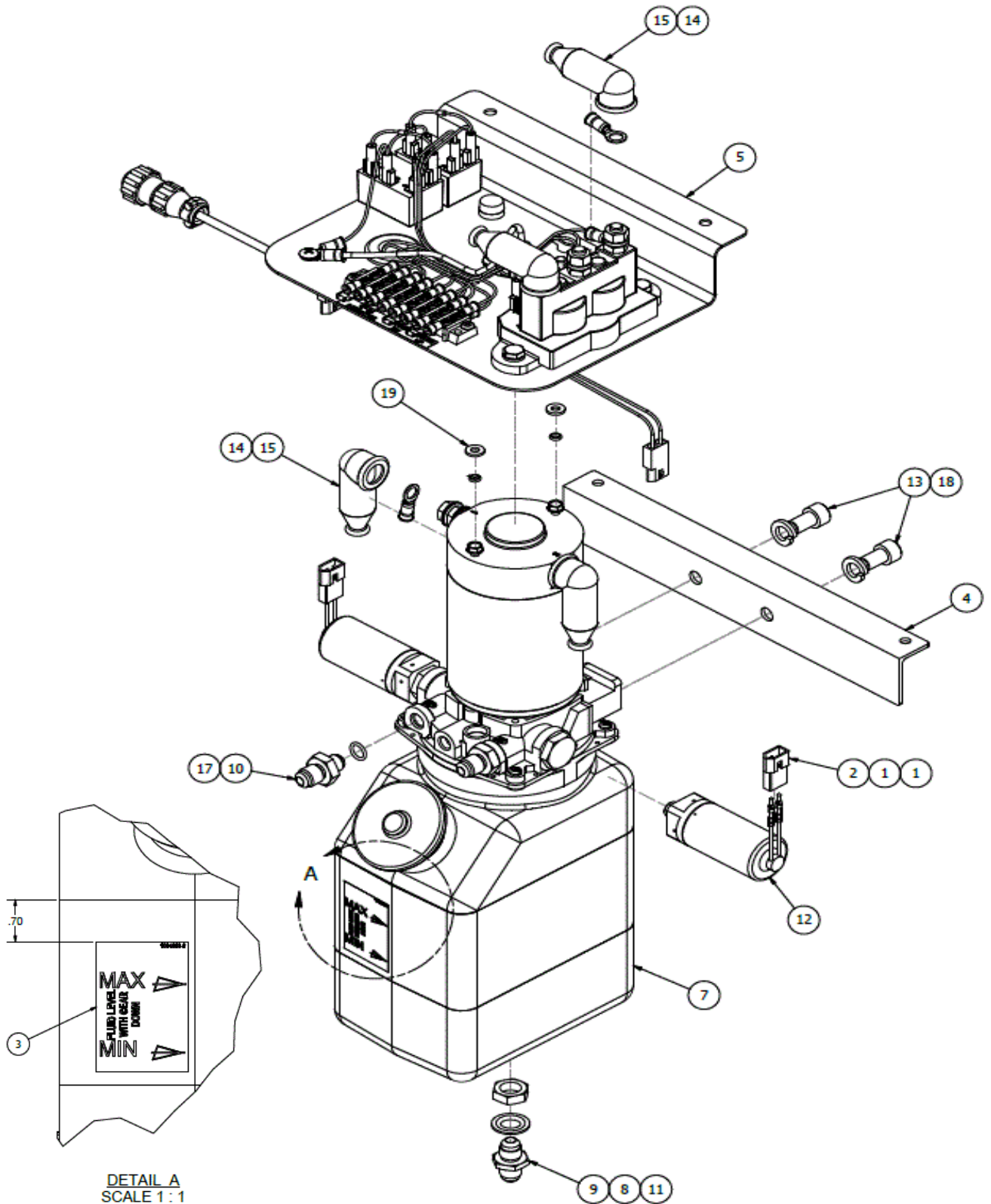
**8A09000-048 ASSEMBLY, HYDRAULIC LINE, HYDRAULIC PUMP
 PRE SERVICE LETTER 214 & 215**



**8A09000-048 ASSEMBLY, HYDRAULIC LINE, HYDRAULIC PUMP
 PRE SERVICE LETTER 214 & 215**

ITEM	QTY	PART NO.	PART DESCRIPTION
1	1'	2807-4	HOSE
2	2	63-190600-4	FITTING, STRAIGHT
-	1	PD-40	PLUG, PLASTIC (NOT SHOWN)

1009773 HYDRAULIC PUMP (BI-DIRECTIONAL)

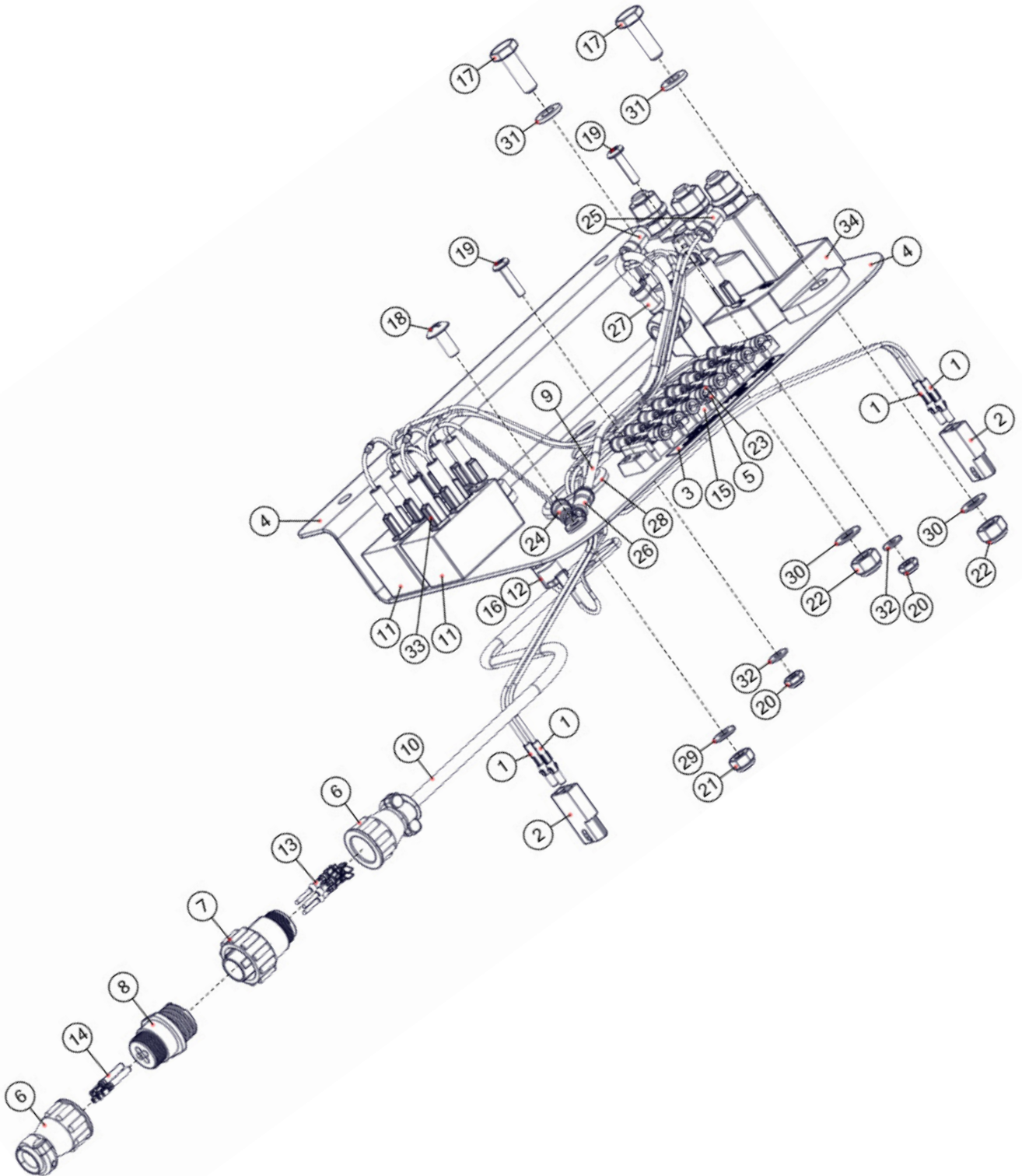


1009773 HYDRAULIC PUMP (BI-DIRECTIONAL)

ITEM	QTY	PART NO.	PART DESCRIPTION
1	4	02-09-2118	PIN, CRIMP MALE, 1/8" DIA
2	2	03-092022	CONNECTOR PLUG, FEMALE
3	1	1004663-2	PLACARD, HYDRAULIC PUMP, FLUID LEVEL
4	1	1009771	ANGLE, HYDRAULIC PUMP BRACKET
5	1	1009772	ASSEMBLY, TOP PLATE, HYDRAULIC PUMP, 24V
6	3 FT	22759-16-10-9	WIRE, 10 AWG, WHITE
7	1	649680*	HYDRAULIC PUMP, 24V, BI-DIRECTIONAL
8	1	93783A033	SEALING WASHER
9	1	AN815-5D	UNION
10	2	AN919-3D	FITTING, REDUCER
11	1	AN924-5D	JAM NUT
12	2	GPP1250-40	PRESSURE SWITCH
13	2	MS16997-96	SOCKET HEAD CAP SCREW
14	4	MS25036-113	RING TERMINAL
15	4	MS25171-2S	NIPPLE, ELECTRICAL TERMINAL
17	2	MS28775-012	O RING, HYDRAULIC PACKING, .364 ID
18	2	MS35338-46	SPLIT WASHER
19	2	NAS1149F0363P	WASHER, 0.203 ID, 0.063 THK, STEEL

* Hydraulic Pump 649680 has individual alternate part numbers that can be found on Wipaire drawing 1011065. Contact Wipaire Customer Service for details.

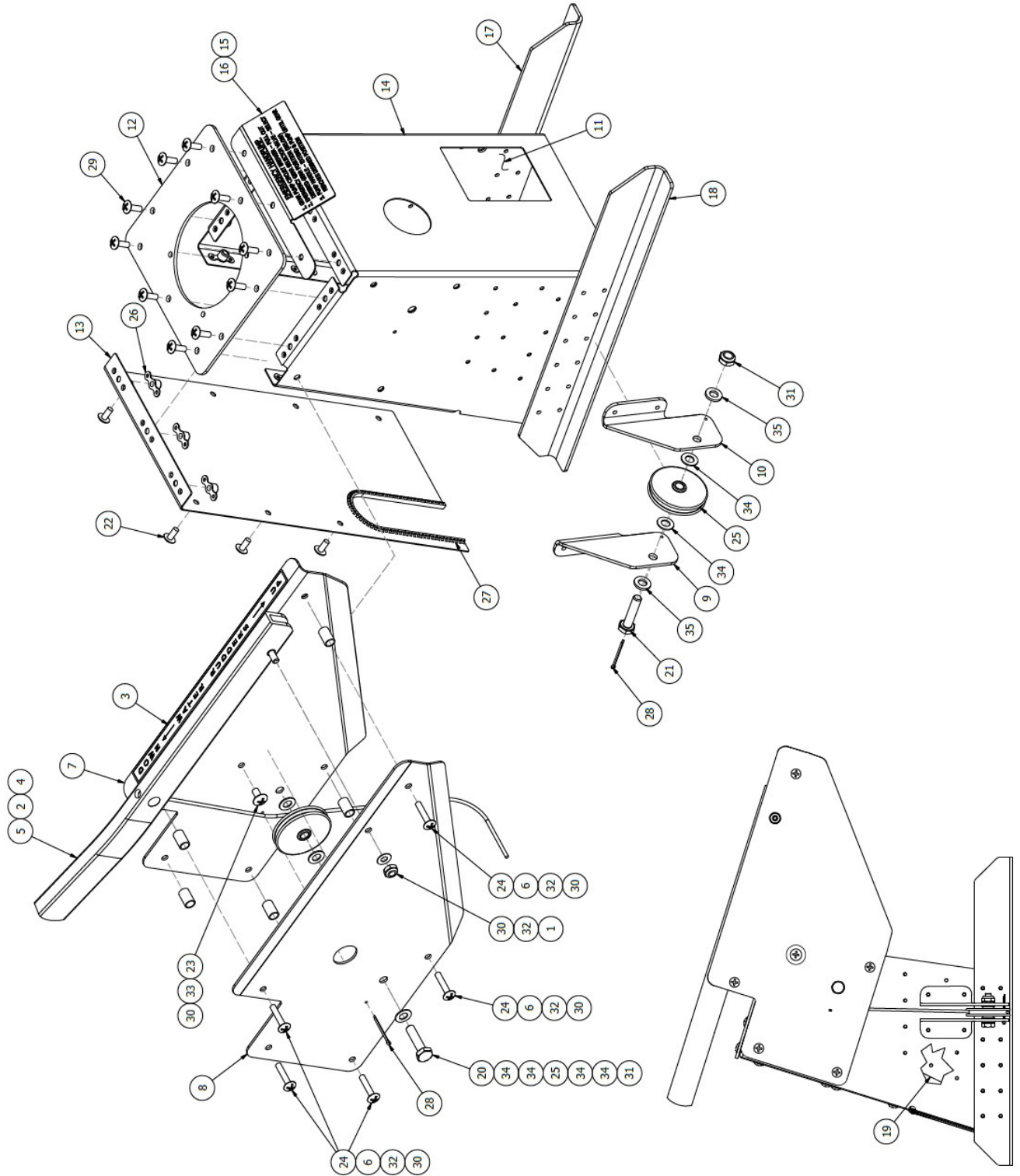
1009772 ASSEMBLY, TOP PLATE, HYDRAULIC PUMP, 24V



1009772 ASSEMBLY, TOP PLATE, HYDRAULIC PUMP, 24V

ITEM	QTY	PART NO.	PART DESCRIPTION
1	4	02-09-1104	PIN, CRIMP FEMALE
2	2	03-09-1022	CONNECTOR PLUG, MALE
3	1	1009753	PLACARD, TERMINAL STRIP
4	1	1009754	TOP PLATE, HYDRAULIC PUMP
5	6	1N4004	DIODE
6	2	206062-3	CLAMP, CABLE
7	1	206429-1	PLUG, MALE
8	1	206430-2	CONNECTOR HOUSING, FEMALE
9	1'	22759-16-10-9	WIRE, 10 AWG, WHITE
10	15'	22759-16-20-9	WIRE, 20 AWG, WHITE
11	2	24DC1XC	TIMER RELAY
12	1	3453LF2A	FUSE HOLDER
13	3	66099-4	PIN, MALE
14	3	66105-4	CRIMP SOCKET, FEMALE
15	1	8-140	TERMINAL BLOCK
16	1	AGC-1	FUSE
17	2	AN4-6A	BOLT
18	1	AN526-1032R8	SCREW
19	2	AN526-632R10	SCREW
20	2	MS21044N06	NUT
21	1	MS21044N3	NUT
22	2	MS21044N4	NUT
23	19	MS25036-101	RING TERMINAL
24	1	MS25036-103	RING TERMINAL
25	2	MS25036-104	RING TERMINAL
26	1	MS25036-112	RING TERMINAL
27	1	MS25036-113	RING TERMINAL
28	1	MS35489-19	GROMMET
29	1	NAS1149F0332P	SCREW
30	2	NAS1149F0432P	SCREW
31	2	NAS1149F0463P	SCREW
32	2	NAS1149FN632P	SCREW
33	10	R-10	CONNECTOR, FEMALE
34	1	T24450-24	SOLENOID, REVERSING

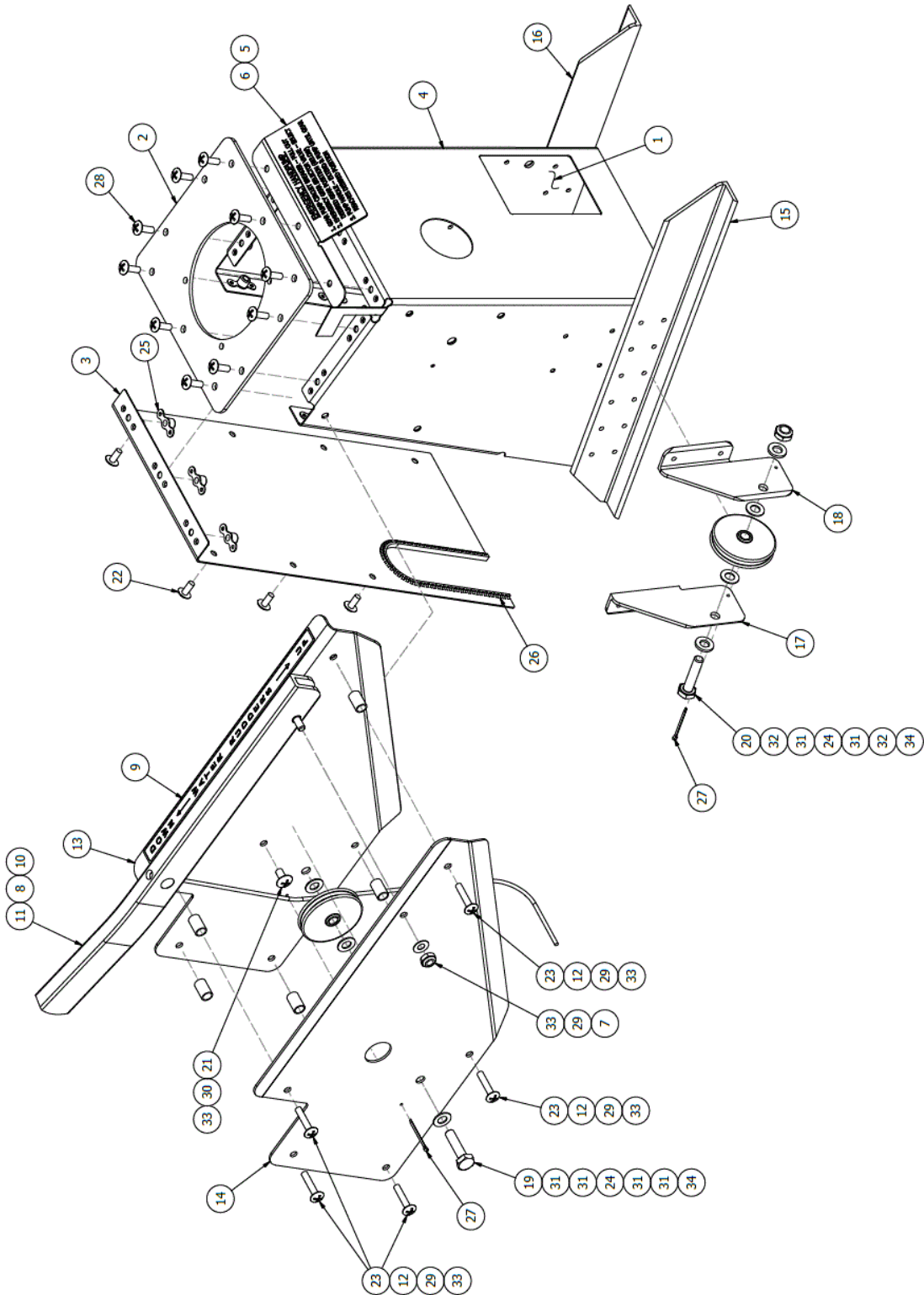
1009750 ASSEMBLY CONTROL CONSOLE POST SERVICE LETTER 214 & 215



**1009750 ASSEMBLY CONTROL CONSOLE
POST SERVICE LETTER 214 & 215**

ITEM	QTY	PART NO.	PART DESCRIPTION
-	1	1009750	ASSEMBLY, CONTROL CONSOLE
1	2	3A08702-006	PIVOT PIN, WATER RUDDER RETRACT HANDLE
2	1	4A08506-002	SWIVEL, RETRACT CABLE HANDLE
3	1	5B3-595-2	PLACARD, WATER RUDDER POSITION
4	1	6A08000-015	ASSEMBLY, CABLE, RETRACT HANDLE
5	1	6A08414-002	HANDLE, WATER RUDDER, RETRACT, BEAVER
6	5	6A08613-003	SPACER, RETRACT HANDLE
7	1	6A11003-024	PANEL, RETRACT HANDLE ATTACH, RIGHT
8	1	6A11003-025	PANEL, RETRACT HANDLE ATTACH, LEFT
9	1	6A11339-035	BRACKET, PULLEY, CONSOLE, LH
10	1	6A11339-036	BRACKET, PULLEY, CONSOLE RH
11	1	1009746	DOUBLER, CONSOLE, HAND PUMP
12	1	1009747	COVER, CONSOLE, TOP
13	1	1009748	COVER, CONSOLE, FWD
14	1	1009749	BODY, HYDRAULIC GEAR CONSOLE
15	1	1009775	PLACARD, EMERGENCY HANDPUMP
16	1	1009782	BRACKET, PLACARD, CENTER CONSOLE
17	1	1011048	ANGLE, CONSOLE ATTACH, RH
18	1	1011049	ANGLE, CONSOLE ATTACH, LH
19	1	1011076	DOUBLER, CONSOLE, PULLEY BRACKET
20	1	AN4-10A	BOLT, 1/4-28, 0.5625 GRIP, UNDRILLED, STEEL
21	1	AN4-11A	BOLT, 1/4-28, 0.6875 GRIP, UNDRILLED, STEEL
22	7	AN526-832R6	SCREW, MACHINE, TRUSS HEAD
23	1	AN526-1032R6	SCREW, MACHINE, TRUSS HEAD
24	5	AN526C1032R14	SCREW, MACHINE, TRUSS HEAD
25	2	MS20219-2	PULLEY
26	17	MS21047L08	NUT PLATE, FIXED, STEEL, PLAIN, 8-32
27	1	MS21266-1N	GROMMET EDGING
28	2	MS24665-136	COTTER PIN
29	10	MS35214-42	SCREW, MACHINE, TRUSS HEAD
30	8	NAS679-A3W	KAYNAR NUT
31	2	NAS679-A4W	KAYNAR NUT
32	7	NAS1149D0316J	WASHER, 0.203 ID, 0.016 THK, ALUMINUM
33	1	NAS1149F0332P	WASHER, 0.203 ID, 0.032 THK, STEEL
34	6	NAS1149F0432P	WASHER, 0.265 ID, 0.032 THK, STEEL
35	2	NAS1149F0463P	WASHER, 0.265 ID, 0.063 THK, STEEL

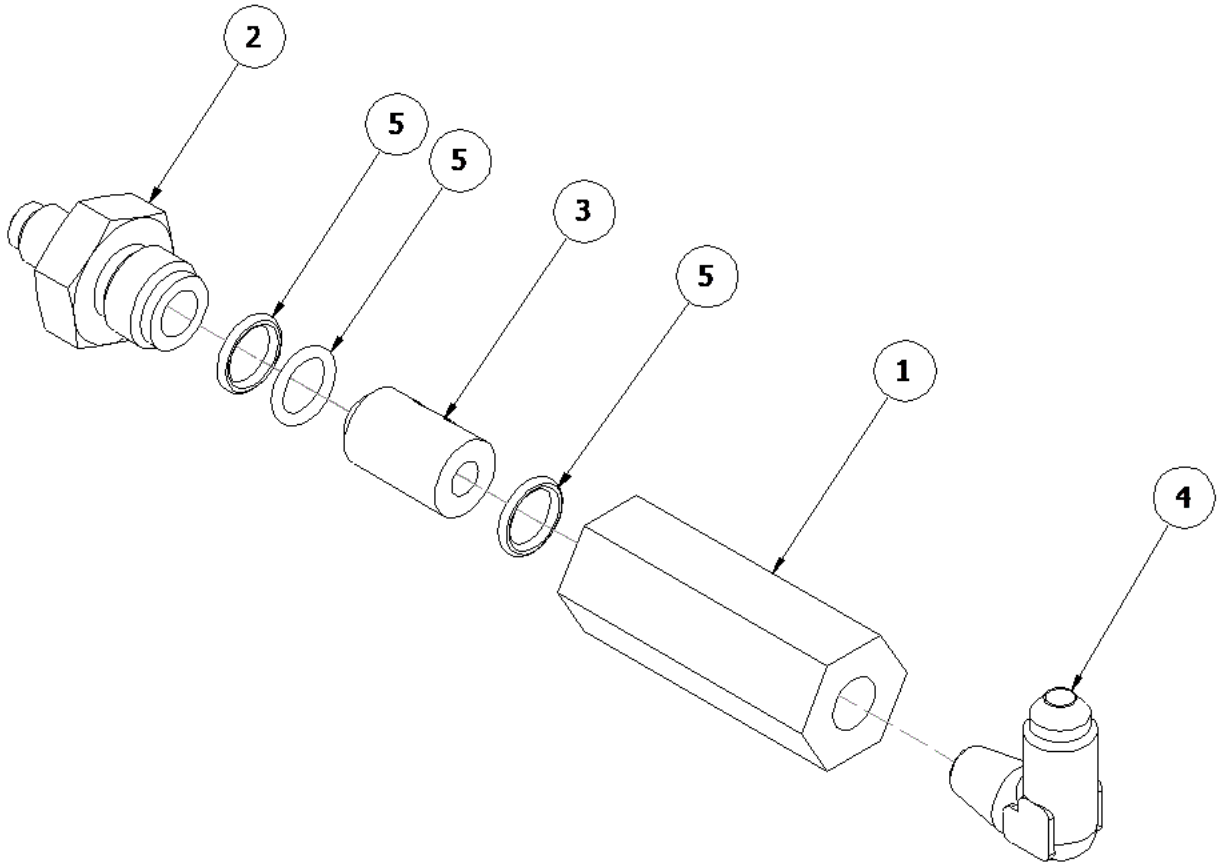
6A11000-001 ASSEMBLY CONTROL CONSOLE PRE SERVICE LETTER 214 & 215



**6A11000-001 ASSEMBLY CONTROL CONSOLE
PRE SERVICE LETTER 214 & 215**

ITEM	QTY	PART NO.	PART DESCRIPTION
1	1	1009746	DOUBLER, CONSOLE, HAND PUMP
2	1	1009747	COVER, CONSOLE, TOP
3	1	1009748	COVER, CONSOLE, FWD
4	1	1009749	BODY, HYDRAULIC GEAR CONSOLE
5	1	1009775	PLACARD, EMERGENCY HANDPUMP
6	1	1009782	BRACKET, PLACARD, CENTER CONSOLE
7	2	3A08702-006	PIVOT PIN, WATER RUDDER RETRACT HANDLE
8	1	4A08506-002	SWIVEL, RETRACT CABLE HANDLE
9	1	5B3-595-2	PLACARD, WATER RUDDER POSITION
10	1	6A08000-015	ASSEMBLY, CABLE, RETRACT HANDLE
11	1	6A08414-002	HANDLE, WATER RUDDER, RETRACT, BEAVER
12	5	6A08613-003	SPACER, RETRACT HANDLE
13	1	6A11003-024	PANEL, RETRACT HANDLE ATTACH, RIGHT
14	1	6A11003-025	PANEL, RETRACT HANDLE ATTACH, LEFT
15	1	6A11339-033	ANGLE, CONSOLE ATTACH, LH
16	1	6A11339-034	ANGLE, CONSOLE ATTACH, RH
17	1	6A11339-035	BRACKET, PULLEY, CONSOLE, L/H
18	1	6A11339-036	BRACKET, PULLEY, CONSOLE R/H
19	1	AN4-10A	BOLT, 1/4-28, 0.5625 GRIP, UNDRILLED, STEEL
20	1	AN4-11A	BOLT, 1/4-28, 0.6875 GRIP, UNDRILLED, STEEL
21	1	AN526-1032R6	SCREW, MACHINE, TRUSS HEAD
22	7	AN526-832R6	SCREW, MACHINE, TRUSS HEAD
23	5	AN526C1032R14	SCREW, MACHINE, TRUSS HEAD
24	2	MS20219-2	PULLEY
25	17	MS21047L08	NUT PLATE, FIXED, STEEL, PLAIN, 8-32
26	1	MS21266-1N	GROMMET EDGING
27	2	MS24665-136	COTTER PIN
28	10	MS35214-42	SCREW, MACHINE, TRUSS HEAD
29	7	NAS1149D0316J	WASHER, 0.203 ID, 0.016 THK, ALUMINUM
30	1	NAS1149F0332P	WASHER, 0.203 ID, 0.032 THK, STEEL
31	6	NAS1149F0432P	WASHER, 0.265 ID, 0.032 THK, STEEL
32	2	NAS1149F0463P	WASHER, 0.265 ID, 0.063 THK, STEEL
33	8	NAS679-A3W	KAYNAR NUT
34	2	NAS679-A4W	KAYNAR NUT

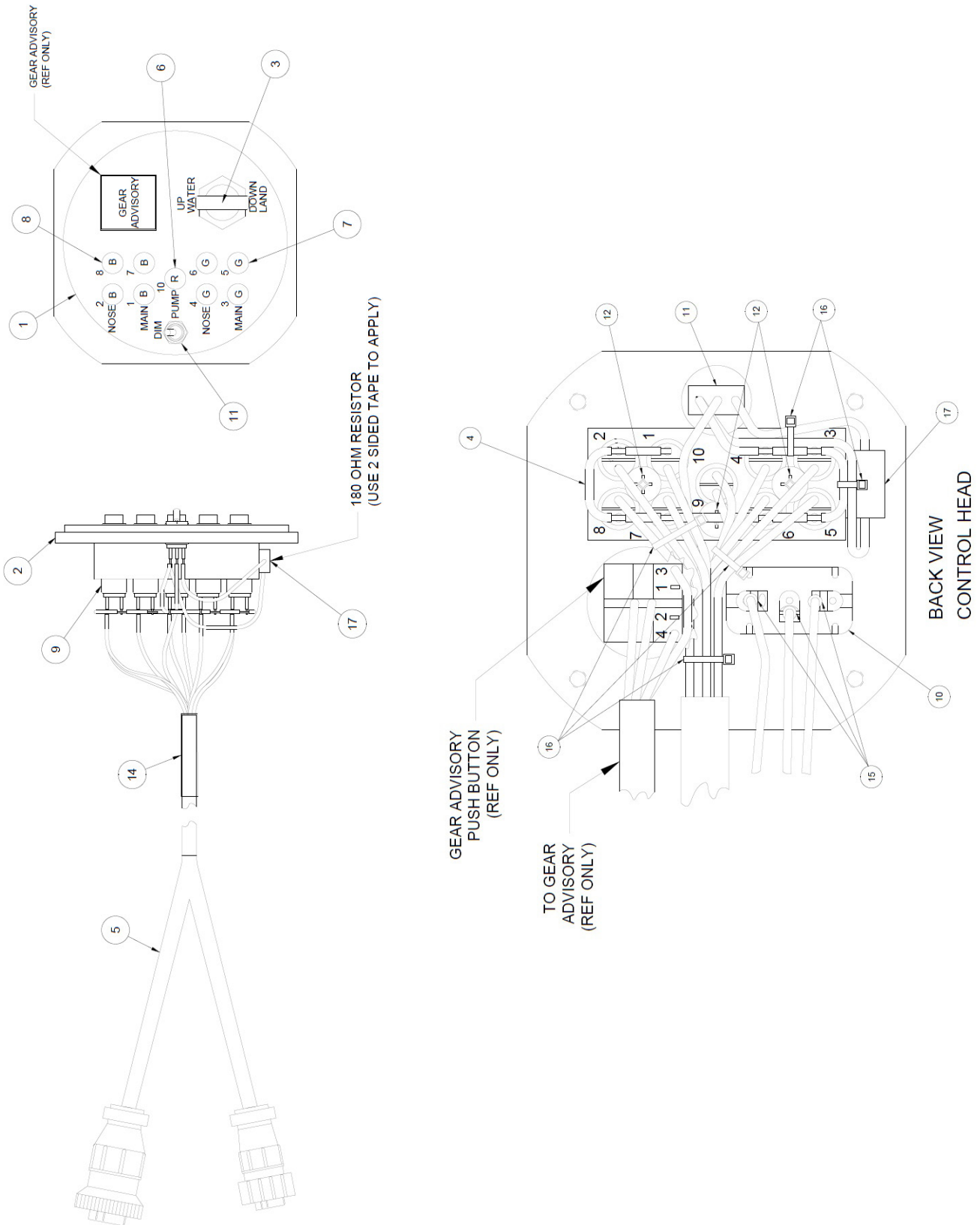
6A09000-024 ASSEMBLY, HAND PUMP CHECK VALVE



6A09000-024 ASSEMBLY, HAND PUMP CHECK VALVE

ITEM	QTY	PART NO.	PART DESCRIPTION
-	1	6A09000-024	ASSEMBLY, CHECK VALVE
1	1	6A09258-003	BODY, CHECK VALVE
2	1	6A11705-001	FITTING, CHECK VALVE, EMERGENCY HAND PUMP
3	1	2203C-1	CHECK VALVE, KEPPENER, 1/4"
4	1	MS20822-4D	ELBOW
5	3	MS28775-012	O - RING, HYDRAULIC PACKING, .364 ID

21A11000-019 GEAR SELECTOR ASSY, ROUND, 24V (BIDIRECTIONAL)

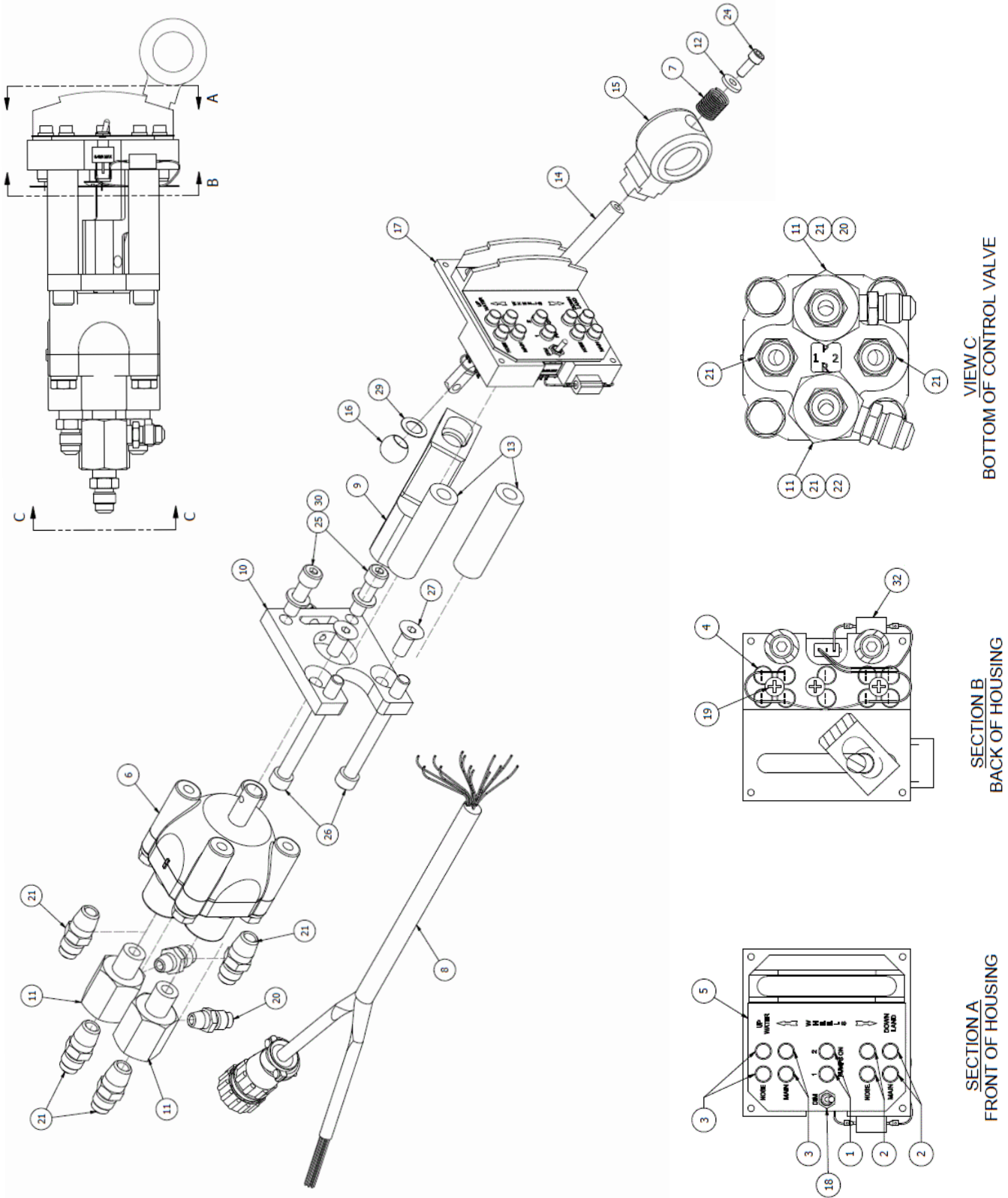


PARTS MANUAL FOR RIVETED
WIPLINE MODEL 6100 AMPHIBIAN FLOATS SERIAL NUMBERS 61500 AND UP

21A11000-019 GEAR SELECTOR ASSY, ROUND, 24V (BIDIRECTIONAL)

ITEM	QTY	PART NO.	PART DESCRIPTION
-	1	21A11000-019	GEAR SELECTOR ASSY, ROUND, 24V
1	1	10B3-6202	PLACARD, ROUND 2100 GEAR SELECTOR
2	1	21A11179-001	BLOCK, GEAR CONTROL
3	1	21A11259-003	GEAR SWITCH KNOB
4	6 IN	22759-16-20-9	WIRE, 20AWG, WHITE
5	1	4A11000-008	HARNESS ASSEMBLY, GEAR SELECTOR
6	1	5073918-1431-600	INDICATOR LAMP, 28V, RED
7	4	5073918-1432-600	INDICATOR LAMP, 28V, GREEN
8	4	5073918-1434-600	INDICATOR LAMP, 28V, BLUE
9	9	515-0012	SOCKET
10	1	8857K44	SWITCH
11	1	A101SYCB	SWITCH, TOGGLE, SPDT, ON-ON
12	3	AN526-632R8	SCREW, TRUSS HEAD, 6-32
13	16 IN	M23053/5-105-9	HEAT SHRINK, WHITE, 3/16"
14	3 IN	M23053/5-108-0	HEAT SHRINK. BLACH, 1/2"
15	3	MS25036-102	RING CONNECTOR, #6, 20AWG, RED
16	5	PLT1M-M	CABLE TIE
17	1	RH005180R0FE02	RESISTOR, 28V, DALE RH5 5W

6A09000-157 ASSEMBLY, GEAR SELECTOR VALVE (UNIDIRECTIONAL)

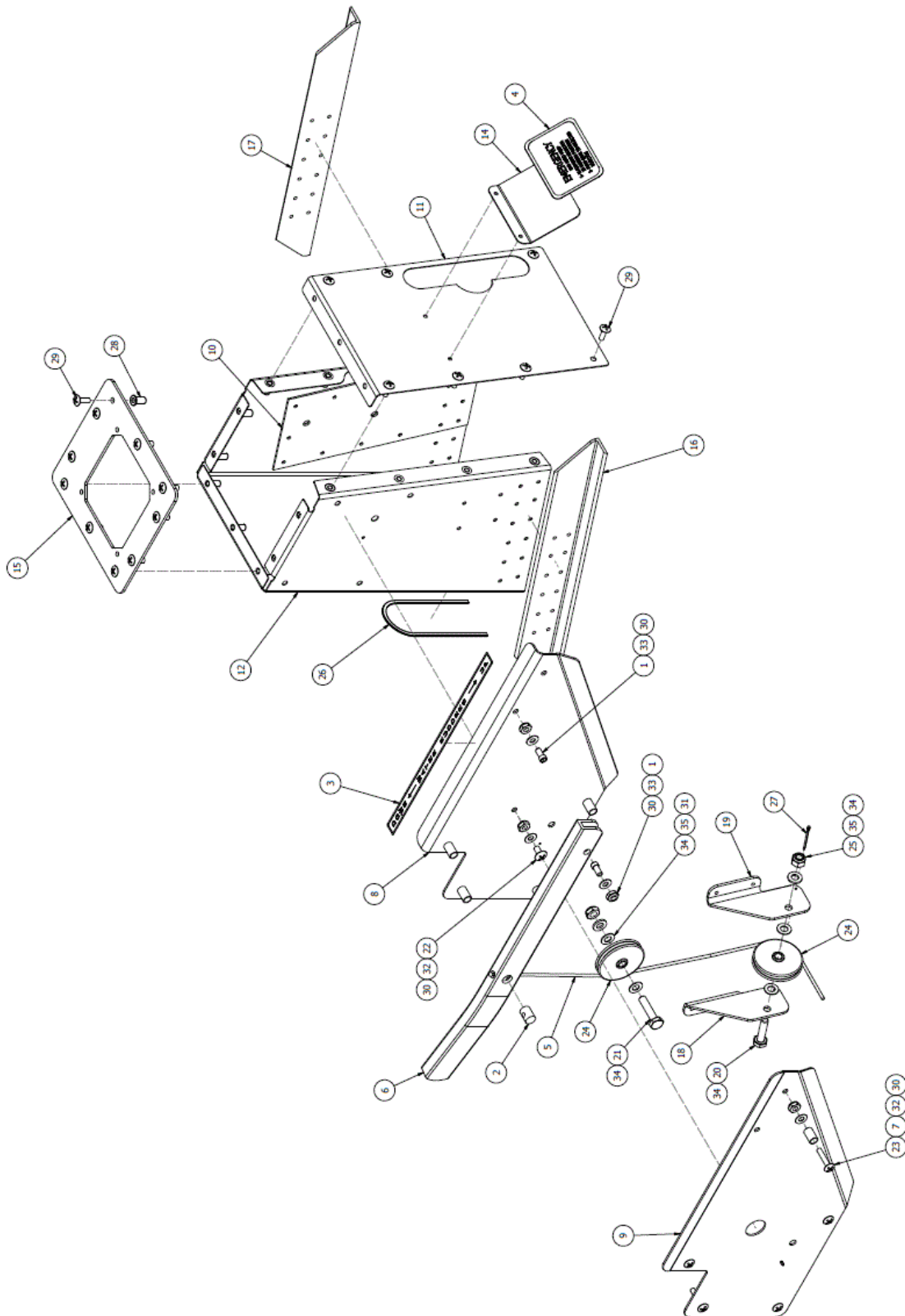


PARTS MANUAL FOR RIVETED
WIPLINE MODEL 6100 AMPHIBIAN FLOATS SERIAL NUMBERS 61500 AND UP

6A09000-157 ASSEMBLY, GEAR SELECTOR VALVE (UNIDIRECTIONAL)

ITEM	QTY	PART NO.	PART DESCRIPTION
1	2	5073918-1431-600	INDICATOR LAMP, 28V, RED
2	4	5073918-1432-600	INDICATOR LAMP, 28V, GRN
3	4	5073918-1434-600	INDICATOR LAMP, 28V, BLU
4	10	515-0012	SOCKET, GEAR SELECTOR LIGHTS
5	1	5A3-694	PLACARD, GEAR SELECTOR, G-1000
6	1	6A09000-080	ASSEMBLY, VALVE, HYDRAULIC, WITH MODIFIED PLATE
7	1	6A09713-001	SPRING, HYDRAULIC CONTROL VALVE
8	1	6A11000-027	ASSEMBLY, WIRING HARNESS, SELECTOR
9	1	6A11032-002	LINK - HYDRAULIC, CONTROL VALVE
10	1	6A11190-001	FITTING, HYDRAULIC, CONTROL VALVE
11	2	6A11261-005	FITTING - HYDRAULIC, CONTROL VALVE
12	1	6A11274-002	WASHER, HYDRAULIC CONTROL SYSTEM
13	2	6A11278-001	SPACER - HYDRAULIC CONTROL VALVE
14	1	6A11506-001	ROD, HANDLE, HYD. CONTROL VALVE
15	1	6A11603-002	KNOB - HYDRAULIC CONTROL VALVE
16	1	6A11704-001	ROLLER, CONTROL ROD
17	1	8A11199-006	BLOCK, HYDRAULIC, CONTROL VALVE
18	1	A101SYCB	TOGGLE SWITCH, SPDT, ON
19	3	AN526-832R6	SCREW, MACHINE, TRUSS HEAD
20	1	AN816-4D	NIPPLE, FLARED TUBE AND PIPE THREAD
21	4	AN816-5-4D	NIPPLE, FLARED TUBE AND PIPE THREAD
22	1	AN816-5D	NIPPLE, FLARED TUBE AND PIPE THREAD
23	3.4 FT	HS105-3/32-0	HEAT SHRINK, WHITE, 3/32"
24	1	MS16996-10	CAP SCREW
25	2	MS16997-80	SCREW, CAP, SOCKET HEAD
26	2	MS16997-88	SCREW, CAP, SOCKET HEAD
27	2	MS24667-40	SCREW, CAP, SOCKET HEAD, COUNTERSUNK
28	1	MS35333-39	STAR WASHER
29	1	NAS1149D0616J	WASHER, 0.39 ID, 0.016 THK, ALUMINUM
30	2	NAS1149F0563P	WASHER, 0.328 ID, 0.063 THK, STEEL
31	1	NAS6203-7	BOLT
32	1	RH-5-180	RESISTOR, 28V

6A11000-015 ASSEMBLY HYDRAULIC CONTROL CONSOLE



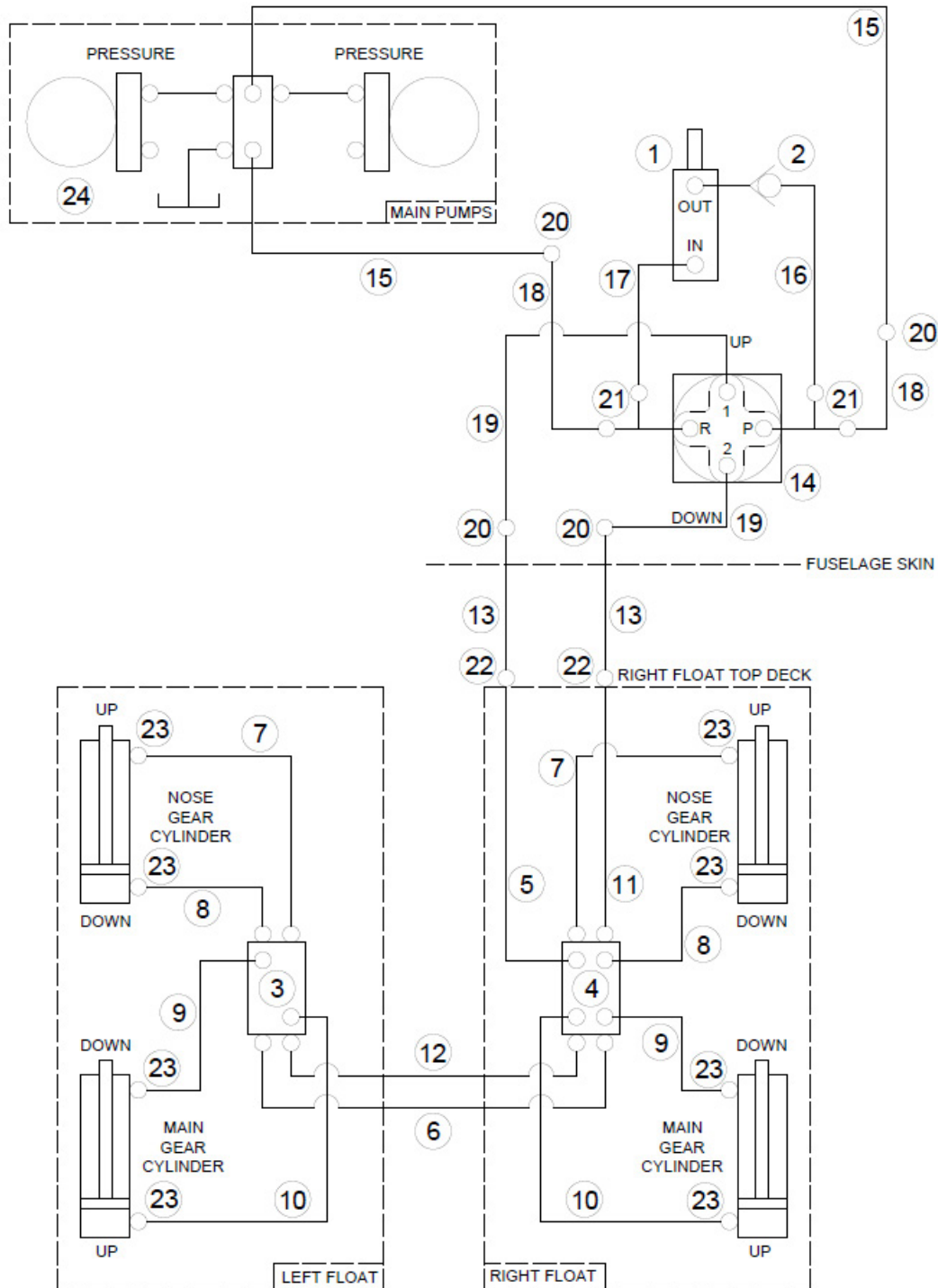
PARTS MANUAL FOR RIVETED
WIPLINE MODEL 6100 AMPHIBIAN FLOATS SERIAL NUMBERS 61500 AND UP

6A11000-015 ASSEMBLY, HYDRAULIC CONTROL CONSOLE

ITEM	QTY	PART NO.	PART DESCRIPTION
1	2	3A08702-006	PIVOT PIN, WATER RUDDER RETRACT HANDLE
2	1	4A08506-002	SWIVEL, RETRACT CABLE HANDLE
3	1	5B3-595-2	PLACARD, WATER RUDDER POSITION
4	1	5B3-595-3	PLACARD, EMERGENCY HYD HAND PUMP
5	1	6A08000-015	PLACARD
6	1	6A08414-002	HANDLE, WATER RUDDER, RETRACT, BEAVER
7	5	6A08613-003	SPACER, RETRACT HANDLE
8	1	6A11003-024	PANEL, RETRACT HANDLE ATTACH, RIGHT
9	1	6A11003-025	PANEL, RETRACT HANDLE ATTACH, LEFT
10	1	6A11003-026	DOUBLER, CONSOLE BODY INSIDE
11	1	6A11005-084	COVER, CONSOLE, BACK
12	1	6A11005-085	BODY, HYDRAULIC GEAR CONSOLE
13	1	6A11005-085B	BLANK, BODY, HYDRAULIC GEAR CONSOLE
14	1	6A11005-235	BRACKET, PLACARD, EMER. HAND PUMP
15	1	6A11156-024	COVER, TOP, HYDRAULIC GEAR CONSOLE
16	1	6A11339-033	ANGLE, CONSOLE ATTACH, LH
17	1	6A11339-034	ANGLE, CONSOLE ATTACH, RH
18	1	6A11339-035	BRACKET, PULLEY, CONSOLE, LH
19	1	6A11339-036	BRACKET, PULLEY, CONSOLE RH
20	1	AN4-10A	BOLT, 1/4-28, 0.5625 GRIP, UNDRILLED, STEEL
21	1	AN4-11A	BOLT, 1/4-28, 0.6875 GRIP, UNDRILLED, STEEL
22	1	AN526-1032R6	SCREW, MACHINE, TRUSS HEAD
23	5	AN526C1032R14	SCREW, MACHINE, TRUSS HEAD
24	2	MS20219-2	PULLEY
25	1	MS21044N4	NUT, LOCKING, REGULAR HEIGHT, 1/4-28 UNF
26	1	MS21266-1N	GROMMET, EDGING
27	2	MS24665-136	COTTER PIN
28	17	MS27130A13	RIVENUT
29	17	MS35214-42	SCREW, MACHINE, TRUSS HEAD
30	8	NAS679-A3W	KAYNAR NUT
31	1	NAS679-A4W	KAYNAR NUT
32	6	NAS1149D0316J	WASHER, 0.203 ID, 0.016 THK, ALUMINUM
33	2	NAS1149F0332P	WASHER, 0.203 ID, 0.032 THK, STEEL
34	4	NAS1149F0432P	WASHER, 0.265 ID, 0.032 THK, Steel
35	2	NAS1149F0463P	WASHER, 0.265 ID, 0.063 THK, STEEL

HYDRAULIC SYSTEM SCHEMATIC - UNIDIRECTIONAL PUMP

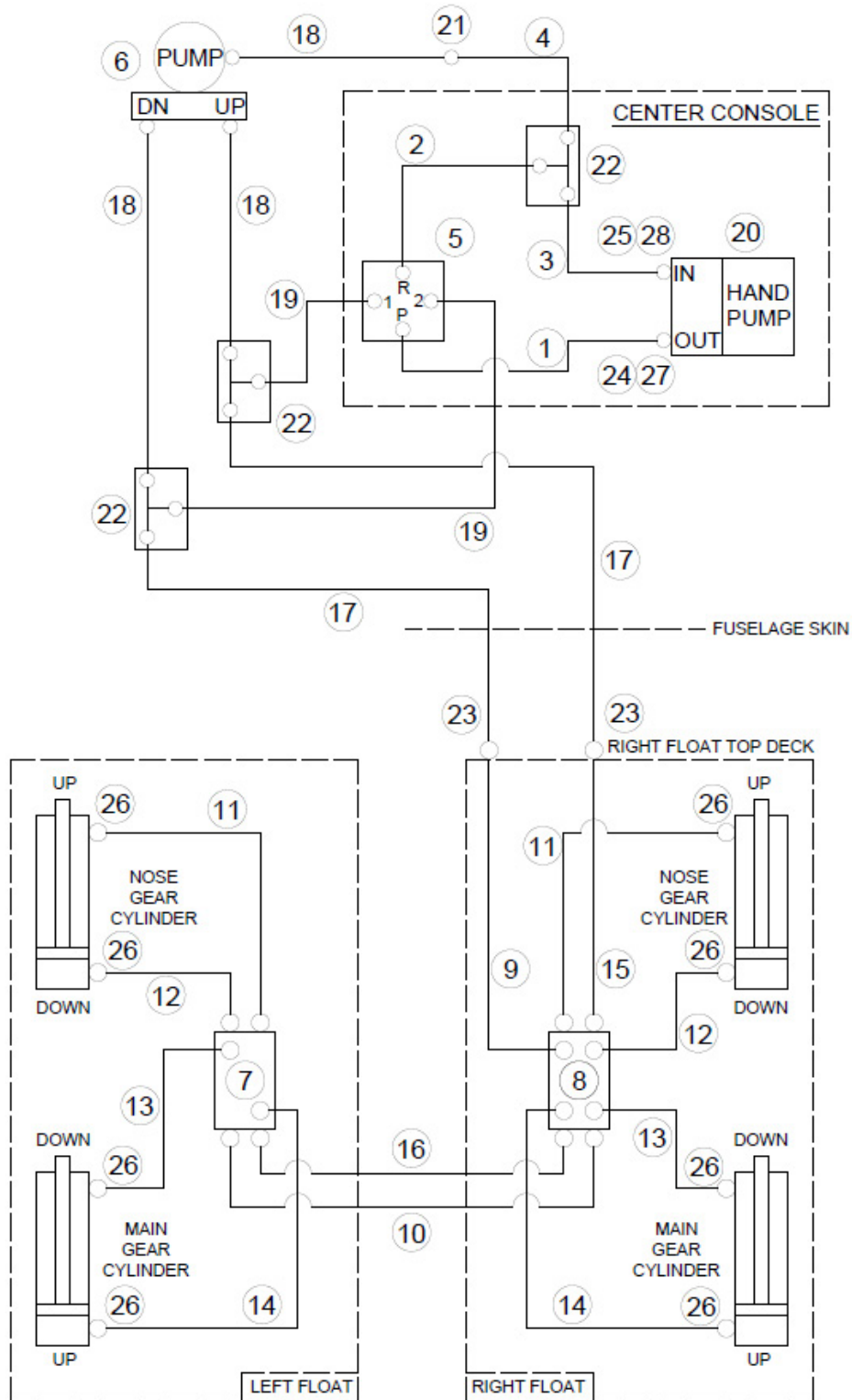
POST SERVICE LETTER 214 & 215



**HYDRAULIC SYSTEM SCHEMATIC - UNIDIRECTIONAL PUMP
 POST SERVICE LETTER 214 & 215**

ITEM	QTY	PART NO.	PART DESCRIPTION
1	1	1280114-2	HAND PUMP
2	1	6A09000-024	ASSEMBLY, HAND PUMP CHECK VALVE
3	1	6A09000-027	MANIFOLD ASSY. LT.
4	2	6A09000-028	MANIFOLD ASSY. RT.
5	1	6A09000-054	ASSEMBLY, HYD. HOSE, MANIFOLD TO RIGHT FLOAT DECK (13.5")
6	1	6A09000-058	ASSEMBLY, HYD. HOSE, SPREADER BAR, GEAR DN (126")
7	2	6A09000-064	ASSEMBLY, HYD. HOSE, MANIFOLD TO NOSE GEAR UP (76")
8	2	6A09000-065	ASSEMBLY, HYD. HOSE, MANIFOLD TO NOSE GEAR DN (54")
9	2	6A09000-066	ASSEMBLY, HYD. HOSE, MANIFOLD TO MAIN GEAR DN (82")
10	2	6A09000-067	ASSEMBLY, HYD. HOSE, MANIFOLD TO MAIN GEAR UP (115")
11	1	6A09000-068	ASSEMBLY, HYD. HOSE, MANIFOLD TO RIGHT FLOAT DECK (15")
12	1	6A09000-069	ASSEMBLY, HYD. HOSE, SPREADER BAR, GEAR UP (125")
13	2	6A09000-070	ASSEMBLY, HYD. HOSE, RIGHT FLOAT DECK TO FUSELAGE (96")
14	1	6A09000-080	SELECTOR VALVE
15	2	6A09000-097	ASSEMBLY, HYD. HOSE, PUMP TO GEAR SELECTOR (216")
16	1	6A09000-098	ASSEMBLY, HYD. HOSE, HAND PUMP OUT TO GEAR SELECTOR (6.63")
17	1	6A09000-099	ASSEMBLY, HYD. HOSE, HAND PUMP IN TO GEAR SELECTOR (6")
18	2	6A09000-100	ASSEMBLY, HYD. HOSE, GEAR SELECTOR TO UNION (36")
19	2	6A09000-101	ASSEMBLY, HYD. HOSE, GEAR SELECTOR TO UNION (36")
20	4	AN815-5D	FITTING, UNION, FLARED TUBING
21	4	AN816-5-4D	FITTING, FLARED TUBE AND PIPE THREAD
22	2	AN833-5D	FITTING, ELBOW, 90°, BULKHEAD
23	8	MS20822-4D	FITTING, ELBOW, 90°
24	1	YBZS- D0.63W2T100K/ UVZOT2	HYDRAULIC PUMP, 24VDC
	A/R	N/A	FITTING END (NOT SHOWN)
		63-190600-4	-4 STRAIGHT FITTING
		63-190600-5	-5 STRAIGHT FITTING
		190773-4	-4 45° FITTING
		190773-5	-5 45° FITTING
		190772-4	-4 90° FITTING
		190772-5	-5 90° FITTING

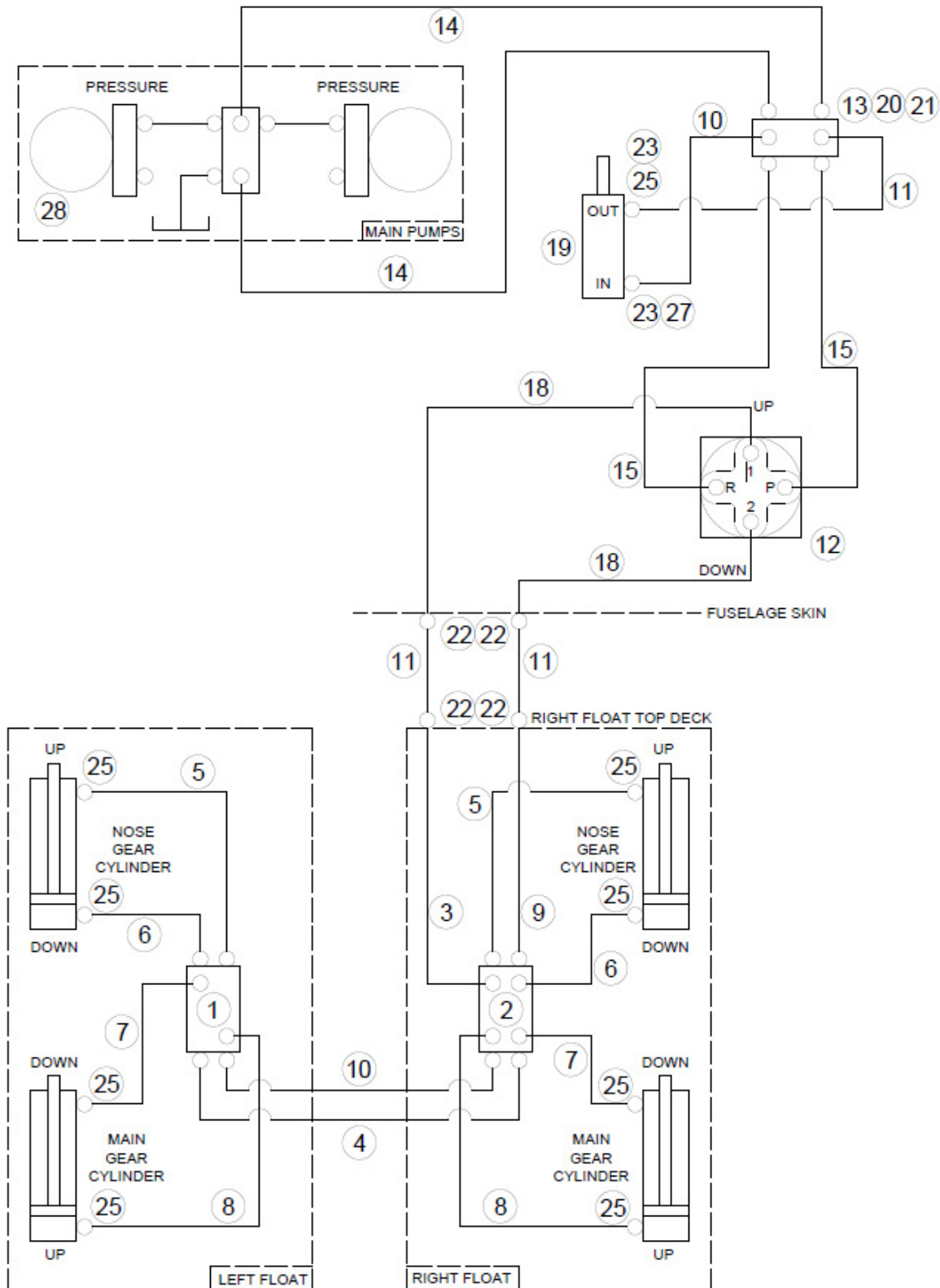
HYDRAULIC SYSTEM SCHEMATIC - BIDIRECTIONAL PUMP DHC-2 POST SERVICE LETTER 214



**HYDRAULIC SYSTEM SCHEMATIC - BIDIRECTIONAL PUMP DHC-2
 POST SERVICE LETTER 214**

ITEM	QTY	PART NO.	PART DESCRIPTION
1	1	1009752-01	ASSEMBLY, HYD. HOSE, HAND PUMP TO SELECTOR VALVE (12")
2	1	1009752-02	ASSEMBLY, HYD. HOSE, SELECTOR VALVE TO CONSOLE TEE (7")
3	1	1009752-03	ASSEMBLY, HYD. HOSE, HAND PUMP TO CONSOLE TEE (7")
4	1	1009752-04	ASSEMBLY, HYD. HOSE, CONSOLE TEE TO AIRCRAFT TEE (36")
5	1	51861S6HO3P	HYDRAULIC SELECTOR VALVE
6	1	649680	HYDRAULIC PUMP, 24V, BI-DIRECTIONAL
7	1	6A09000-027	MANIFOLD ASSY. LT.
8	1	6A09000-028	MANIFOLD ASSY. RT.
9	1	6A09000-054	ASSEMBLY, HYD. HOSE, MANIFOLD TO RIGHT FLOAT DECK (13.5")
10	1	6A09000-058	ASSEMBLY, HYD. HOSE, SPREADER BAR, GEAR DN, (126")
11	2	6A09000-064	ASSEMBLY, HYD. HOSE, MANIFOLD TO NOSE GEAR UP (76")
12	2	6A09000-065	ASSEMBLY, HYD. HOSE, MANIFOLD TO NOSE GEAR DN (54")
13	2	6A09000-066	ASSEMBLY, HYD. HOSE, MANIFOLD TO MAIN GEAR DN (82")
14	2	6A09000-067	ASSEMBLY, HYD. HOSE, MANIFOLD TO MAIN GEAR UP (115")
15	1	6A09000-068	ASSEMBLY, HYD. HOSE, MANIFOLD TO RIGHT FLOAT DECK (15")
16	1	6A09000-069	ASSEMBLY, HYD. HOSE, SPREADER BAR, GEAR UP (125")
17	2	6A09000-070	ASSEMBLY, HYD. HOSE, TOP DECK TO FUSELAGE (96")
18	3	6A09000-097	ASSEMBLY, HYD. HOSE, PUMP TO HAND PUMP (216")
19	2	6A09000-100	ASSEMBLY, HYD. HOSE, HAND PUMP SELECTOR TO FITTING (36")
20	1	914-8D-27	HYDRAULIC HAND PUMP
21	1	AN815-5D	UNION, FLARED TUBE
22	3	AN824-5D	FITTING, TEE
23	2	AN833-5D	FITTING, ELBOW, 90°, BULKHEAD
24	1	AN919-7D	FITTING, UNION
25	1	AN919-11D	FITTING, UNION
26	8	MS20822-4D	FITTING, ELBOW, 90°
27	1	MS28775-013	O-RING
28	1	MS28775-016	O-RING
29	A/R	N/A	FITTING END (NOT SHOWN)
		63-190600-4	-4 STRAIGHT FITTING
		63-190600-5	-5 STRAIGHT FITTING
		190773-4	-4 45° FITTING
		190773-5	-5 45° FITTING
		190772-4	-4 90° FITTING
		190772-5	-5 90° FITTING

HYDRAULIC SYSTEM SCHEMATIC - UNIDIRECTIONAL PUMP PC-6 POST SERVICE LETTER 214 & 215

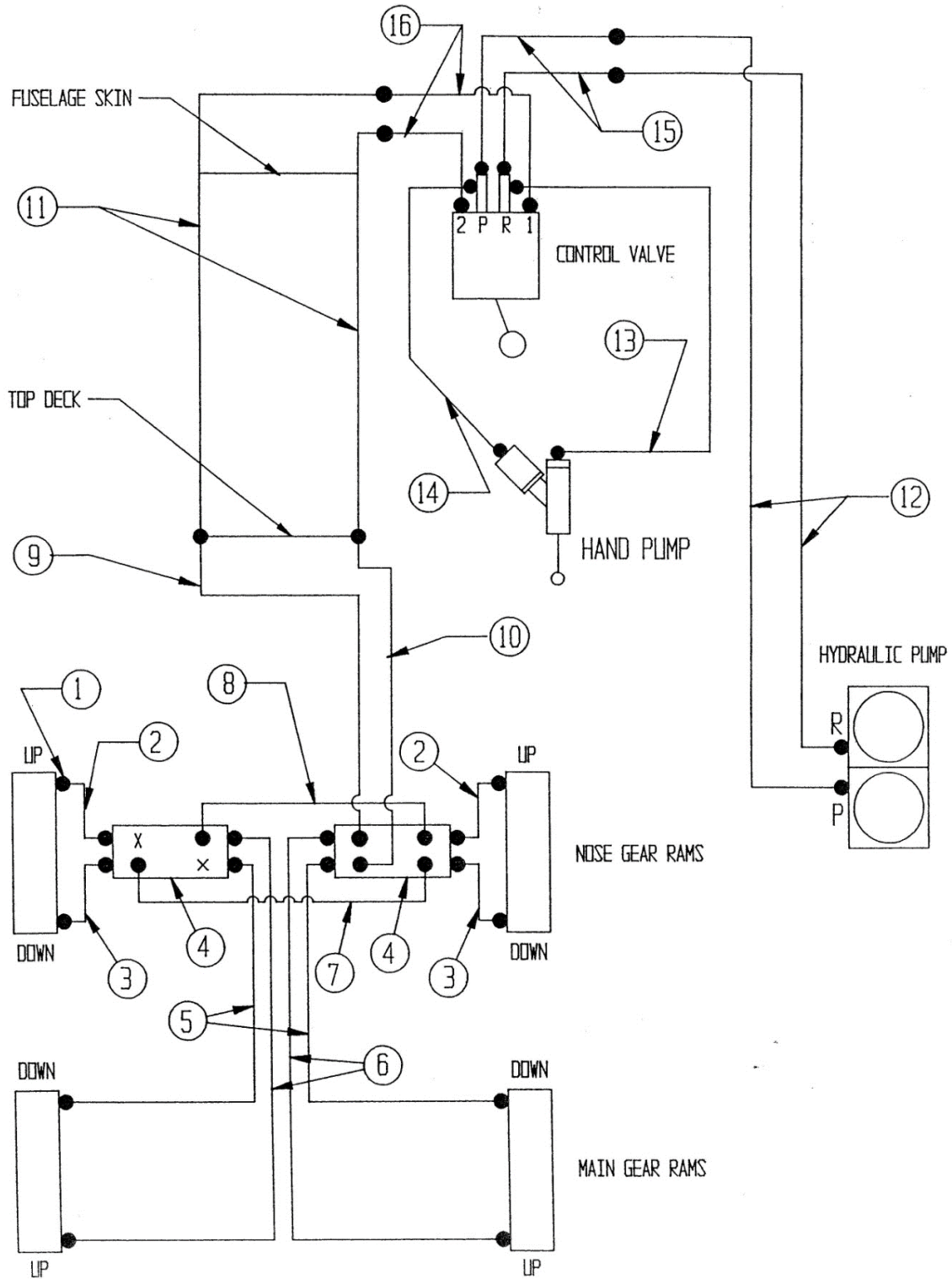


**HYDRAULIC SYSTEM SCHEMATIC - UNIDIRECTIONAL PUMP PC-6
POST SERVICE LETTER 214 & 215**

ITEM	QTY	PART NO.	PART DESCRIPTION
1	1	6A09000-027	MANIFOLD ASSY. LT.
2	1	6A09000-028	MANIFOLD ASSY. RT.
3	1	6A09000-054	ASSEMBLY, HYD. HOSE, MANIFOLD TO RIGHT FLOAT DECK (13.5")
4	1	6A09000-058	ASSEMBLY, HYD. HOSE, SPREADER BAR, GEAR DN (126")
5	2	6A09000-064	ASSEMBLY, HYD. HOSE, MANIFOLD TO NOSE GEAR UP (76")
6	2	6A09000-065	ASSEMBLY, HYD. HOSE, MANIFOLD TO NOSE GEAR DN (54")
7	2	6A09000-066	ASSEMBLY, HYD. HOSE, MANIFOLD TO MAIN GEAR DN (82")
8	2	6A09000-067	ASSEMBLY, HYD. HOSE, MANIFOLD TO MAIN GEAR UP (115")
9	1	6A09000-068	ASSEMBLY, HYD. HOSE, MANIFOLD TO RIGHT FLOAT DECK (15")
10	1	6A09000-069	ASSEMBLY, HYD. HOSE, SPREADER BAR, GEAR UP (125")
11	2	6A09000-070	ASSEMBLY, HYD. HOSE, TOP DECK TO FUSELAGE (96")
12	1	6A09000-080	SELECTOR VALVE
13	1	6A09207-001	MANIFOLD
14	2	6P09000-167	ASSEMBLY, HYD. HOSE, PUMP TO MANIFOLD (216")
15	2	6P09000-168	ASSEMBLY, HYD. HOSE, SELECTOR TO MANIFOLD (48")
16	1	6P09000-169	ASSEMBLY, HYD. HOSE, HAND PUMP TO MANIFOLD (21")
17	1	6P09000-170	ASSEMBLY, HYD. HOSE, HAND PUMP TO MANIFOLD (17.5")
18	2	6P09000-171	ASSEMBLY, HYD. HOSE, SELECTOR TO BLKHD FITTING (51")
19	1	914-8D-27	HYDRAULIC HAND PUMP
20	4	AN816-5D	NIPPLE ADAPTOR, STRAIGHT
21	2	AN816-5-4D	NIPPLE ADAPTOR, STRAIGHT
22	4	AN833-5D	FITTING, ELBOW, 90°, BULKHEAD
23	1	AN919-7D	FITTING, UNION
24	1	AN919-11D	FITTING, UNION
25	8	MS20822-4D	FITTING, ELBOW, 90°
26	1	MS28775-013	O-RING
27	1	MS28775-016	O-RING
28	2	YBZS- D0.63W2T100K/ UVZOT2	HYDRAULIC PUMP, 24VDC
29	A/R	N/A	FITTING END (NOT SHOWN)
		63-190600-4	-4 STRAIGHT FITTING
		63-190600-5	-5 STRAIGHT FITTING
		190773-4	-4 45° FITTING
		190773-5	-5 45° FITTING
		190772-4	-4 90° FITTING
		190772-5	-5 90° FITTING

HYDRAULIC SYSTEM SCHEMATIC, LEFT AND RIGHT FLOATS

PRE SERVICE LETTER 214 & 215

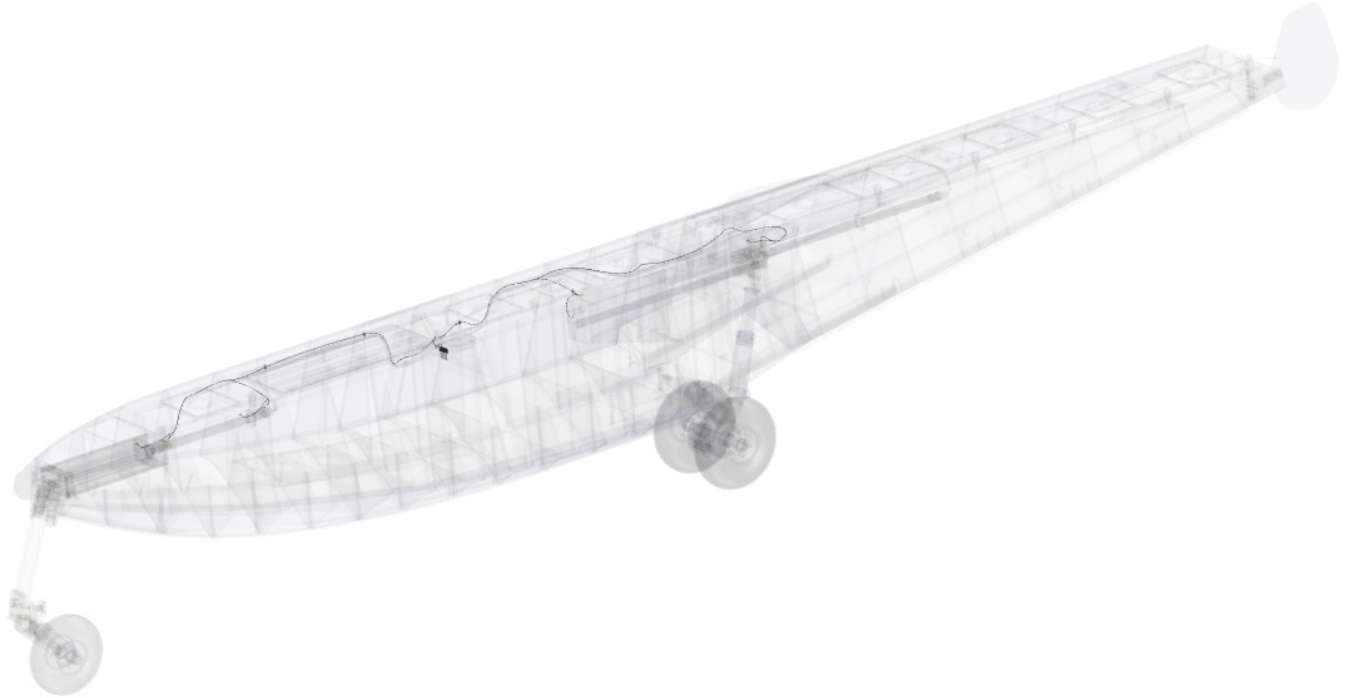


**HYDRAULIC SYSTEM SCHEMATIC, LEFT AND RIGHT FLOATS
 PRE SERVICE LETTER 214 & 215**

ITEM	QTY	PART NO.	PART DESCRIPTION
1	8	MS20822-4D	ELBOW
2	2	6A09000-064	LINE ASSEMBLY (76") MAN. TO N. GEAR UP
3	2	6A09000-065	LINE ASSEMBLY (54") MAN. TO N. GEAR DN.
4	2	6A09000-028	ASSEMBLY MANIFOLD
5	2	6A09000-066	LINE ASSEMBLY (82") MAN. TO M. GEAR DN.
6	2	6A09000-067	LINE ASSEMBLY (115") MAN. TO M. GEAR UP
7	2	6A09000-058	LINE ASSEMBLY SPR. BAR (126")
8	1	6A09000-069	LINE ASSEMBLY SPR. BAR (125")
9	4	6A09000-054	LINE ASSEMBLY MAN. TO FLT. DECK (13.5")
10	1	6A09000-068	LINE ASSEMBLY MAN. TO FLT. DECK (15")
11	2	6A09000-070	LINE ASSEMBLY TOP DECK TO FUSE. (96")
12	2	6A09000-097	LINE ASSEMBLY HYD. PUMP TO SELECTOR. (216")
13	1	6A09000-099	LINE ASSEMBLY HAND PUMP TO SELECTOR (6")
14	1	6A09000-098	LINE ASSEMBLY HAND PUMP TO SELECTOR (6.63")
15	2	6A09000-100	LINE ASSEMBLY SELECTOR TO FUSE. (36")
16	2	6A09000-101	LINE ASSEMBLY SELECTOR TO FUSE. (36")
17	A/R	N/A	FITTINGS END (NOT SHOWN)
		63-190-600-4	¼ STRAIGHT FITTING
		63-190-600-5	5/16 STRAIGHT FITTING
		63-190-773-4	¼ 450 FITTING
		63-190-773-5	5/16 450 FITTING
		63-190-772-4	¼ 900 FITTING
		63-190-772-5	5/16 900 FITTING

THIS PAGE INTENTIONALLY LEFT BLANK

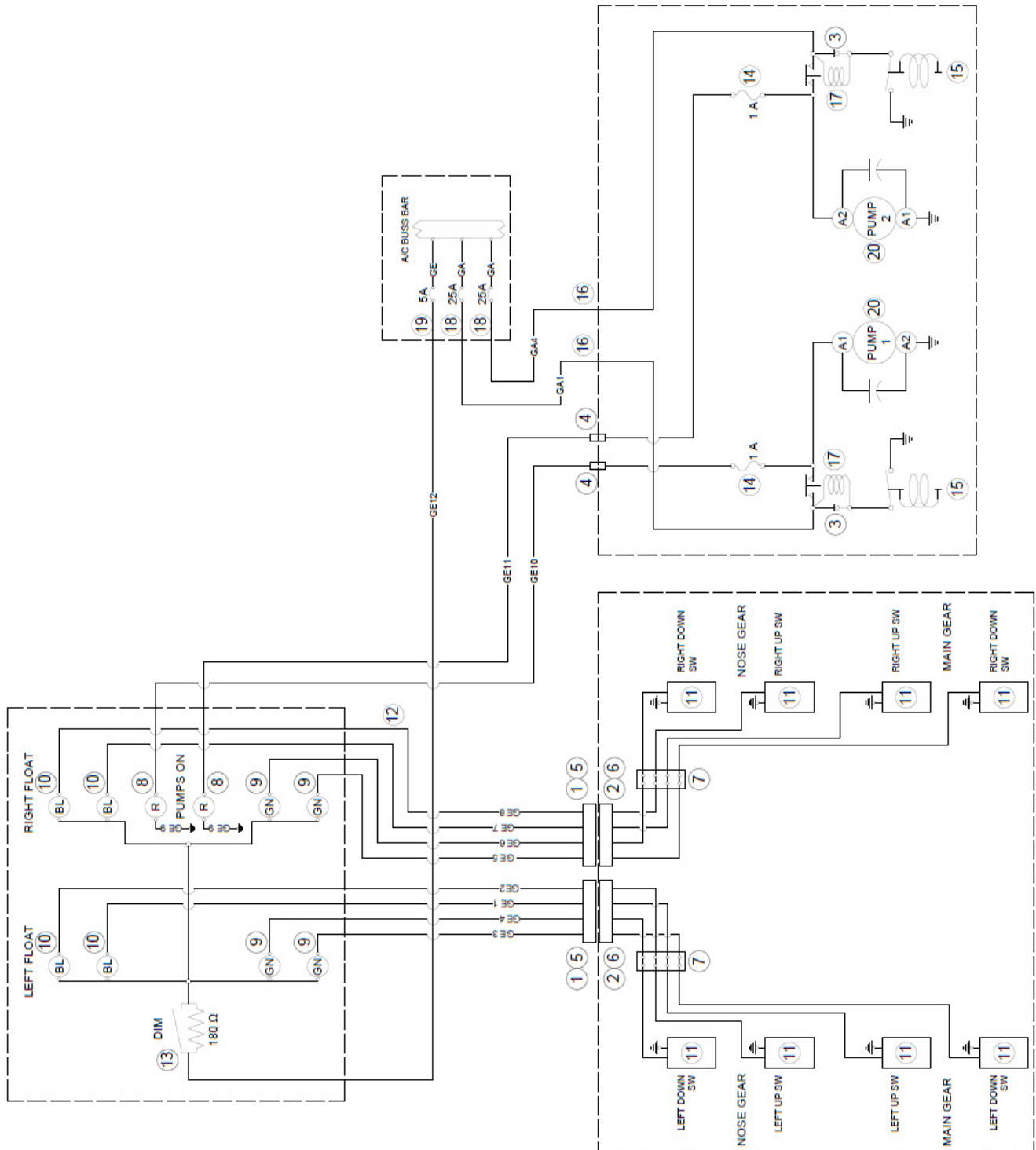
SECTION 11 ELECTRICAL SYSTEM



CONTENTS

ELECTRICAL SCHEMATIC - UNIDIRECTIONAL DHC-2 & PC-6 POST SERVICE LETTER 214 & 215	194
ELECTRICAL SCHEMATIC - BIDIRECTIONAL PUMP DHC-2 POST SERVICE LETTER 214.....	196
ELECTRICAL SYSTEM SCHEMATIC & COMPONENTS, LEFT AND RIGHT FLOAT PRE SERVICE LETTER 214 & 215.....	198

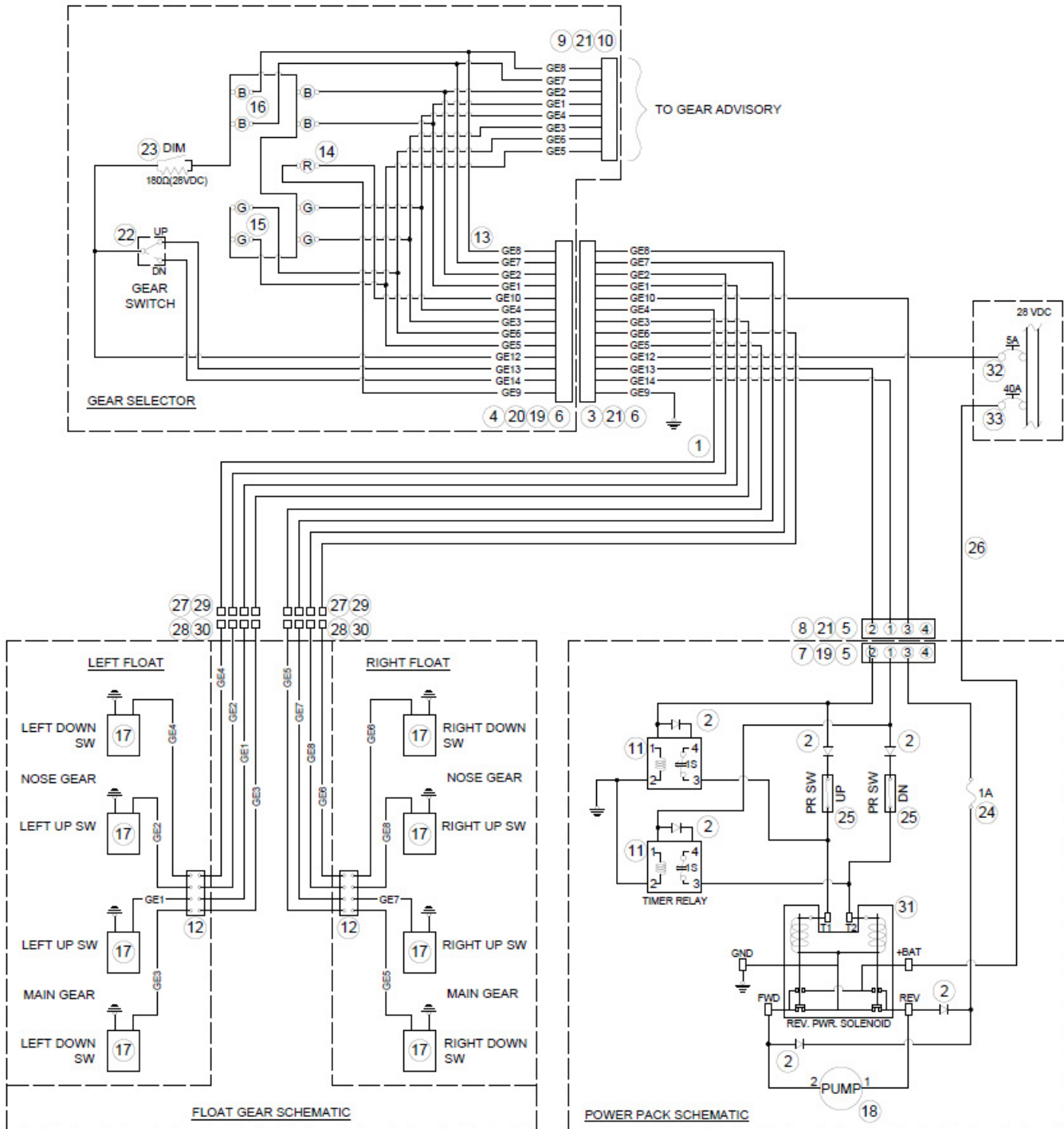
ELECTRICAL SCHEMATIC - UNIDIRECTIONAL PUMP DHC-2 & PC-6 POST SERVICE LETTER 214 & 215



**ELECTRICAL SCHEMATIC - UNIDIRECTIONAL PUMP DHC-2 & PC-6
 POST SERVICE LETTER 214 & 215**

ITEM	QTY	PART NO.	PART DESCRIPTION
1	2	1-480702-0	PLUG, 4 POSITION
2	2	1-480703-0	RECEPTACLE, 4 POSITION
3	2	1N4004	DIODE, 400V, 1 AMP
4	2	320559	CRIMP TERMINAL, BUTT, 22-16 AWG
5	8	350689-1	SOCKET
6	8	350690-1	PIN
7	2	4-140	TERMINAL BLOCK, 4 LUG
8	2	5073918-1431-600	LAMP, RED, 24V
9	4	5073918-1432-600	LAMP, GREEN, 24V
10	4	5073918-1434-600	LAMP, BLUE, 24V
11	8	5801	PROXIMITY SWITCH
12	1	6A11000-027	WIRE HARNESS
13	1	A101SYCB	SWITCH, DIMMER
14	2	AGC-1	FUSE, 1 AMP
15	2	GPP1250-40	PRESSURE SWITCH
16	A/R	MIL-W-22759-16-12-9	WIRE, 12 AWG
17	2	P52-0035-1	STARTER SOLENOID, 24V
18	2	W23-X1A1G-25	CIRCUIT BREAKER, 25 AMP
19	1	W23-X1A1G-5	CIRCUIT BREAKER, 5 AMP
20	1	YBZS- D0.63W2T100K/ UVZOT2	HYDRAULIC PUMP

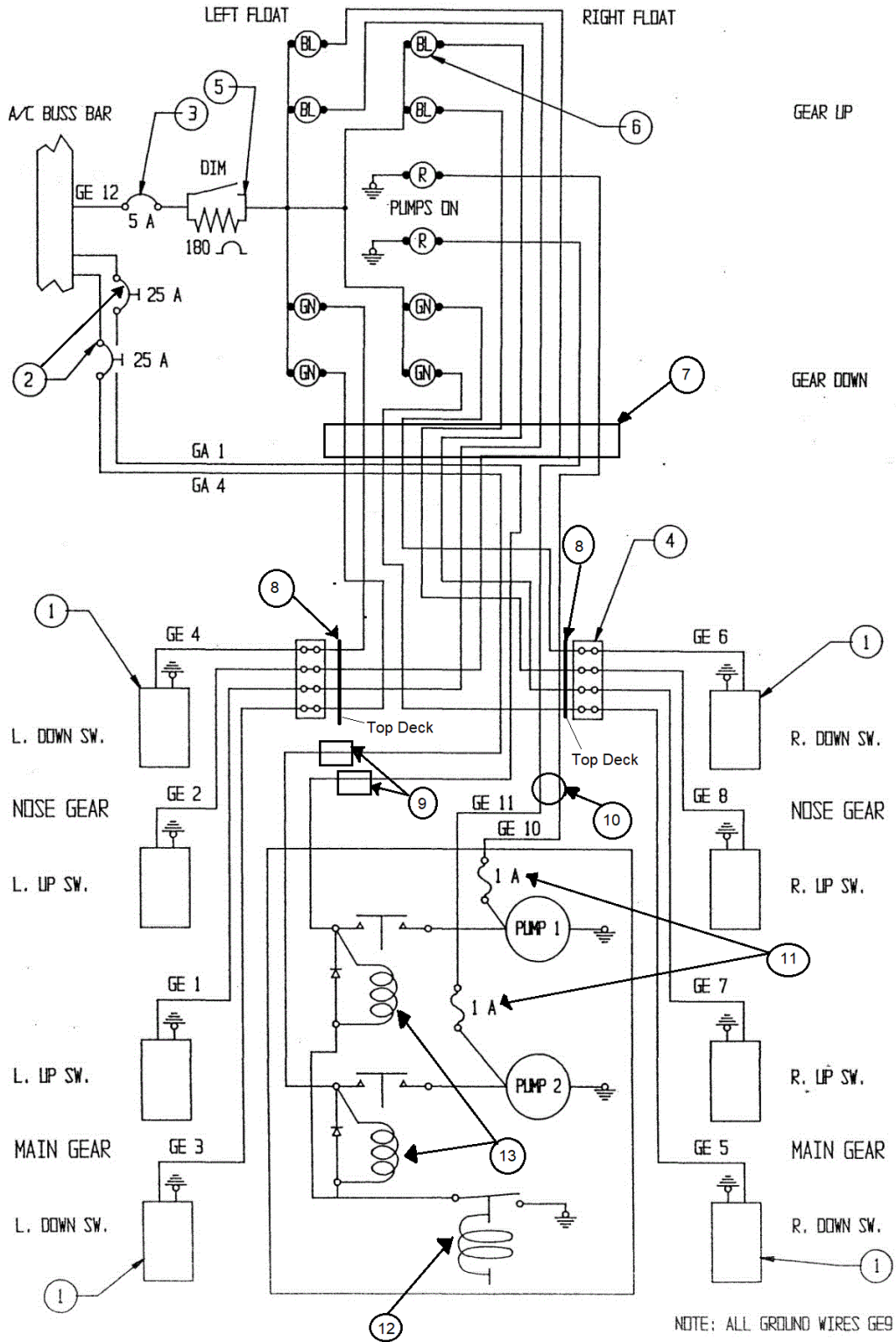
ELECTRICAL SCHEMATIC - BIDIRECTIONAL PUMP DHC-2 POST SERVICE LETTER 214



**ELECTRICAL SCHEMATIC - BIDIRECTIONAL PUMP DHC-2
 POST SERVICE LETTER 214**

ITEM	QTY	PART NO.	PART DESCRIPTION
1	1	1005433	WIRE HARNESS
2	6	1N4004	DIODE, 400V, 1 AMP
3	1	206043-3	PLUG, FEMALE, CPC, 14 PIN
4	1	206044-1	PLUG, MALE, CPC, 14 PIN
5	2	206062-3	CLAMP, CABLE, CPC SIZE 11
6	2	206070-8	CLAMP, CABLE, CPC SIZE 17
7	1	206429-1	PLUG, MALE, CPC, 4 PIN
8	1	206430-2	PLUG, FEMALE, CPC, 4 PIN
9	1	206708-1	PLUG, FEMALE, CPC, 9 PIN
10	1	206966-7	CLAMP, CABLE, CPC SIZE 13
11	2	24DC1XC	TIMER RELAY, 24 VDC
12	2	4-140	TERMINAL BLOCK, 4 LUG
13	1	4A11000-008	WIRE HARNESS
14	1	507-3918-1431-600	INDICATOR LAMP, 28V, RED
15	4	507-3918-1432-600	INDICATOR LAMP, 28V, GREEN
16	4	507-3918-1434-600	INDICATOR LAMP, 28V, BLUE
17	8	5801	PROXIMITY SWITCH
18	1	649680	HYDRAULIC PUMP, 24 VDC, BI-DIRECTIONAL
19	11	66099-4	PIN, MALE, CRIMP
20	6	66103-4	PIN, MALE, CRIMP
21	25	66105-4	SOCKET, FEMALE, CRIMP
22	1	8857K44	TOGGLE SWITCH
23	1	A101SYCB	TOGGLE SWITCH, SPDT, ON-ON
24	1	AGC-1	FUSE, 1 AMP
25	2	GPP1250-40	PRESSURE SWITCH
26	30 FT	MIL-W-22759-16-10-9	WIRE, 10 AWG
27	8	S1635-1	PIN
28	8	S1636-1	SOCKET
29	8	S1637-1	HOUSING
30	8	S1637-2	HOUSING
31	1	T24450-24	SOLENOID, REVERSING, 24VDC
32	1	W23-X1A1G-5	CIRCUIT BREAKER, 5 AMP
33	1	W23-X1A1G-40	CIRCUIT BREAKER, 40 AMP

ELECTRICAL SYSTEM SCHEMATIC & COMPONENTS, LEFT AND RIGHT FLOAT PRE SERVICE LETTER 214 & 215

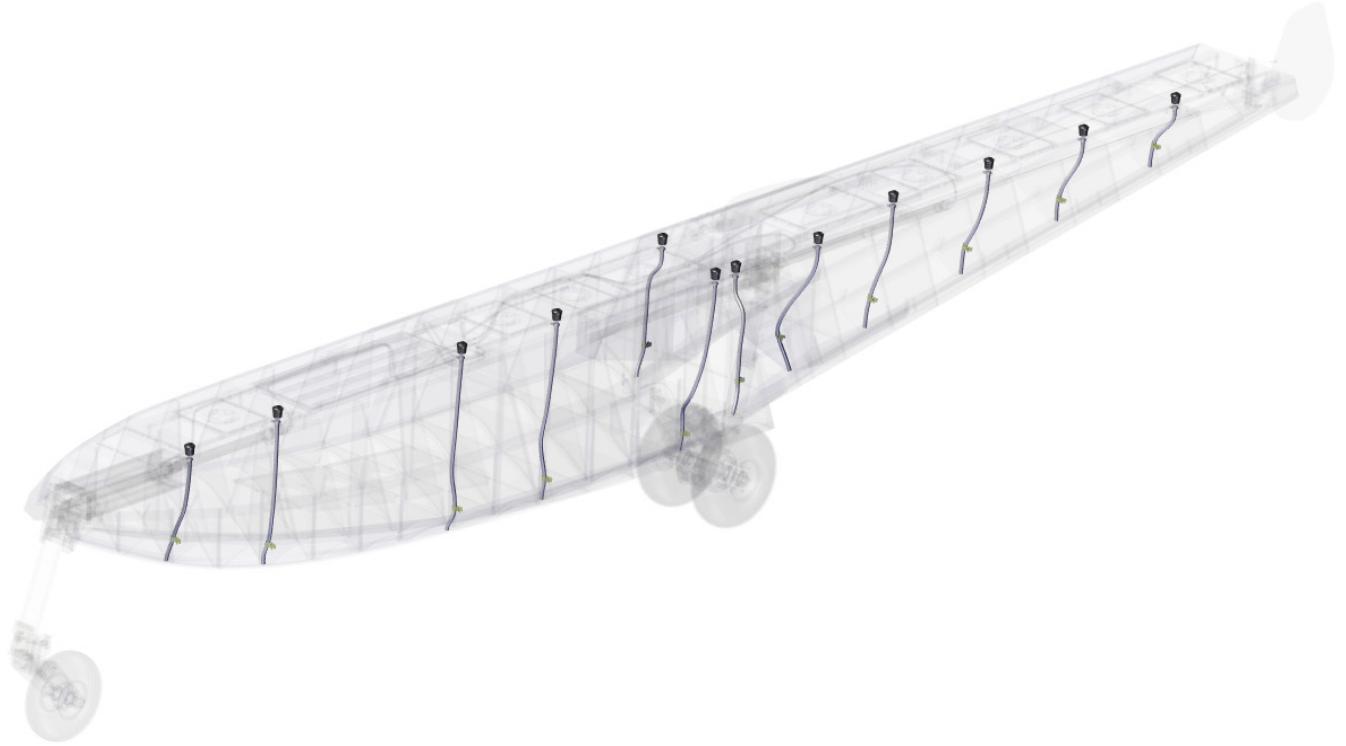


**ELECTRICAL SYSTEM COMPONENTS, LEFT AND RIGHT FLOAT
 PRE SERVICE LETTER 214 & 215**

ITEM	QTY	PART NO.	PART DESCRIPTION
1	8	5801	PROXIMITY SWITCH
2	2	109-240-101	CIRCUIT BREAKER (25 AMP)
3	1	435-205-105	CIRCUIT BREAKER (5 AMP)
4	2	1-480702-0	PLUG (4 POSITION)
	2	1-480703-0	RECEPTICAL
	8	350689-1	SOCKET
	8	350690-1	PIN
5	1	A101SYCB	SWITCH DIMMER
6	4	5073918-1434-600	LAMP BLUE (28V)
	4	5073918-1432-600	LAMP GREEN (28V)
	2	5073918-1431-600	LAMP RED (28V)
7	1	1005433	HARNESS ASSEMBLY, MAIN PC-6
8	1	6A10000-005	ASSEMBLY, WIRE HARNESS, RIGHT FLOAT 13 FT.
	1	6A10000-004	ASSEMBLY, WIRE HARNESS, LEFT FLOAT 10 FT.
9	1	03-09-1022	CONNECTER PLUG, FEMALE, 2 CONNECTERS 3/16" DIA, 1 CONNECTOR 9/16" DIA
10	1	206062-3	CPC CABLE CLAMP, SIZE 11
	1	206429-1	CPC PLUG, MALE CPC #1, 4 Pin
11	1	6A09000-129	FUSE HOLDER ASSEMBLY, LT.
	1	6A09000-128	FUSE HOLDER ASSEMBLY, RT.
12	1	3A10000-002	SOLENOID DIODE ASSEMBLY
13	2	P52-0035-1	CONTACTOR ASSEMBLY, 24V (STARTER)

THIS PAGE INTENTIONALLY LEFT BLANK

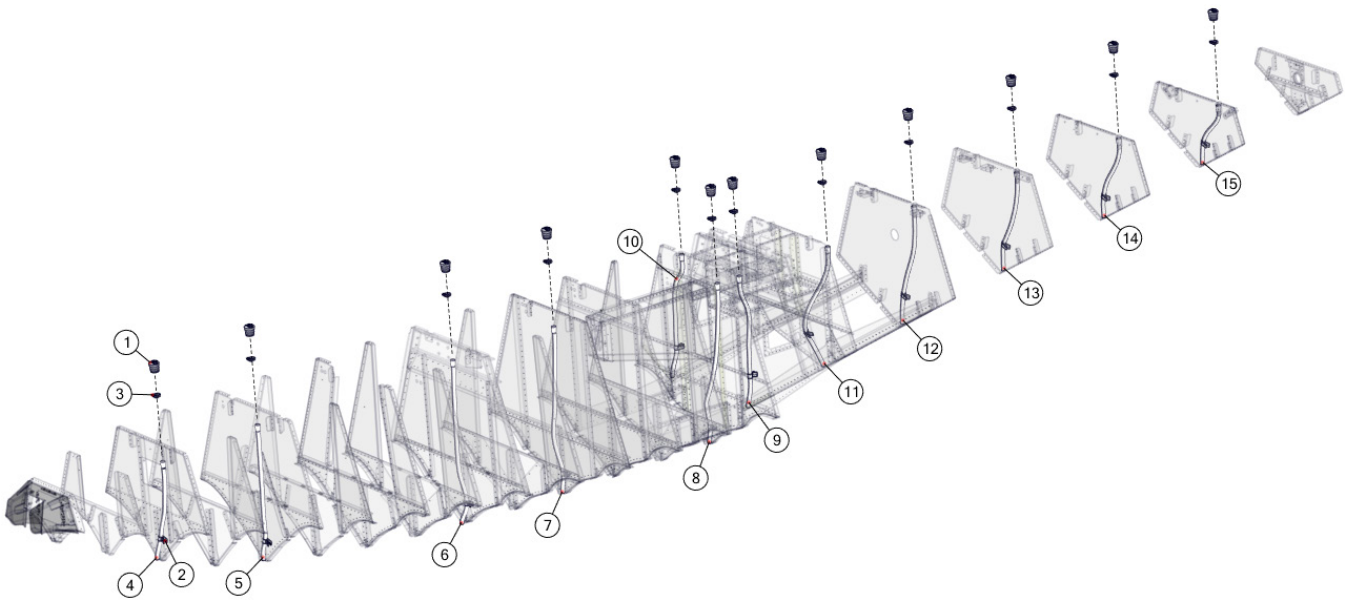
SECTION 12 PUMP OUT SYSTEM



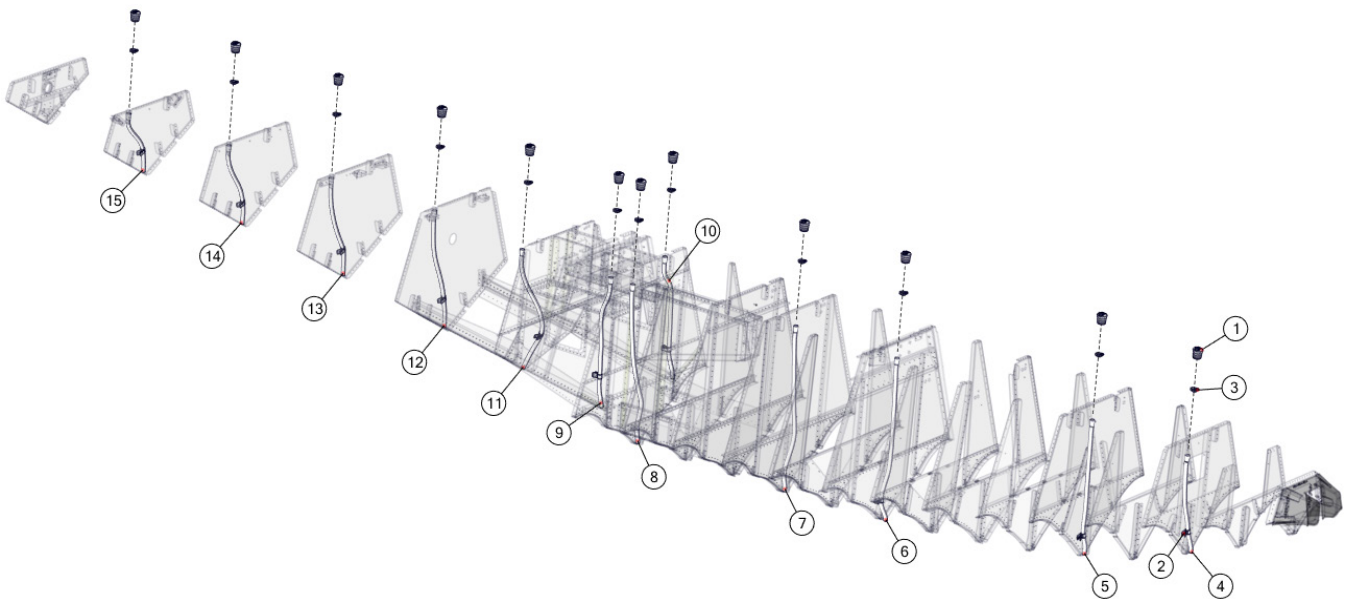
CONTENTS

PUMP OUT SYSTEM, LEFT AND RIGHT FLOATS	202
--	-----

PUMP OUT SYSTEM, LEFT FLOAT



PUMP OUT SYSTEM, LEFT FLOAT



PARTS MANUAL FOR RIVETED
 WIPLINE MODEL 6100 AMPHIBIAN FLOATS SERIAL NUMBERS 61500 AND UP

PUMP OUT SYSTEM, LEFT AND RIGHT FLOAT

ITEM	QTY	PART NO.	PART DESCRIPTION
1	12	1011870	VALVE, DUCKBILL (NEW STYLE)
	12	2111	STOPPER, PUMP OUT (OLD STYLE)
2	12	3A01158-003	CLAMP, PUMP OUT TUBE
3	12	57134	CLAMP
4	1.67'	RM618	TUBE
5	2.15'	RM618	TUBE
6	2.6'	RM618	TUBE
7	2.63'	RM618	TUBE
8	2.8'	RM618	TUBE
9	2'	RM618	TUBE
10	2'	RM618	TUBE
11	2.3'	RM618	TUBE
12	1.9'	RM618	TUBE
13	1.67'	RM618	TUBE
14	1.3'	RM618	TUBE
15	1'	RM618	TUBE

THIS PAGE INTENTIONALLY LEFT BLANK

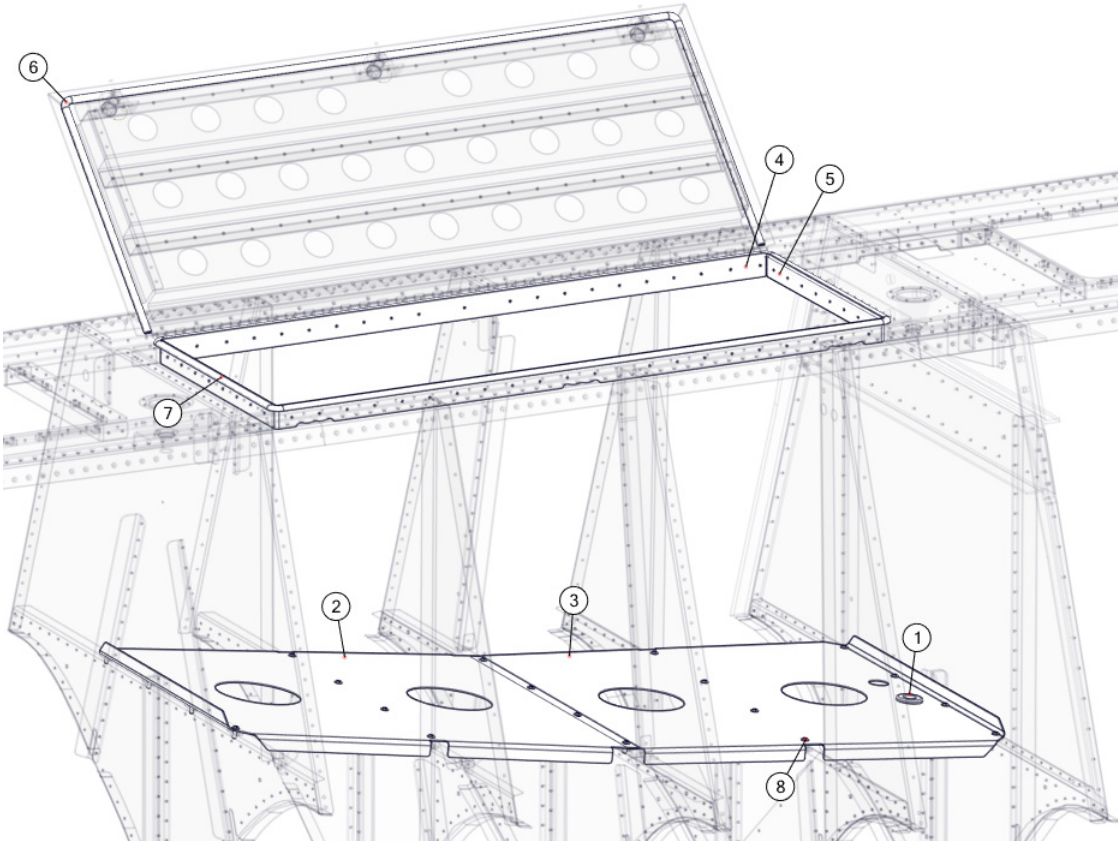
SECTION 13 BAGGAGE COMPARTMENT



CONTENTS

BAGGAGE COMPARTMENT, LEFT FLOAT	206
BAGGAGE COMPARTMENT, RIGHT FLOAT.....	207

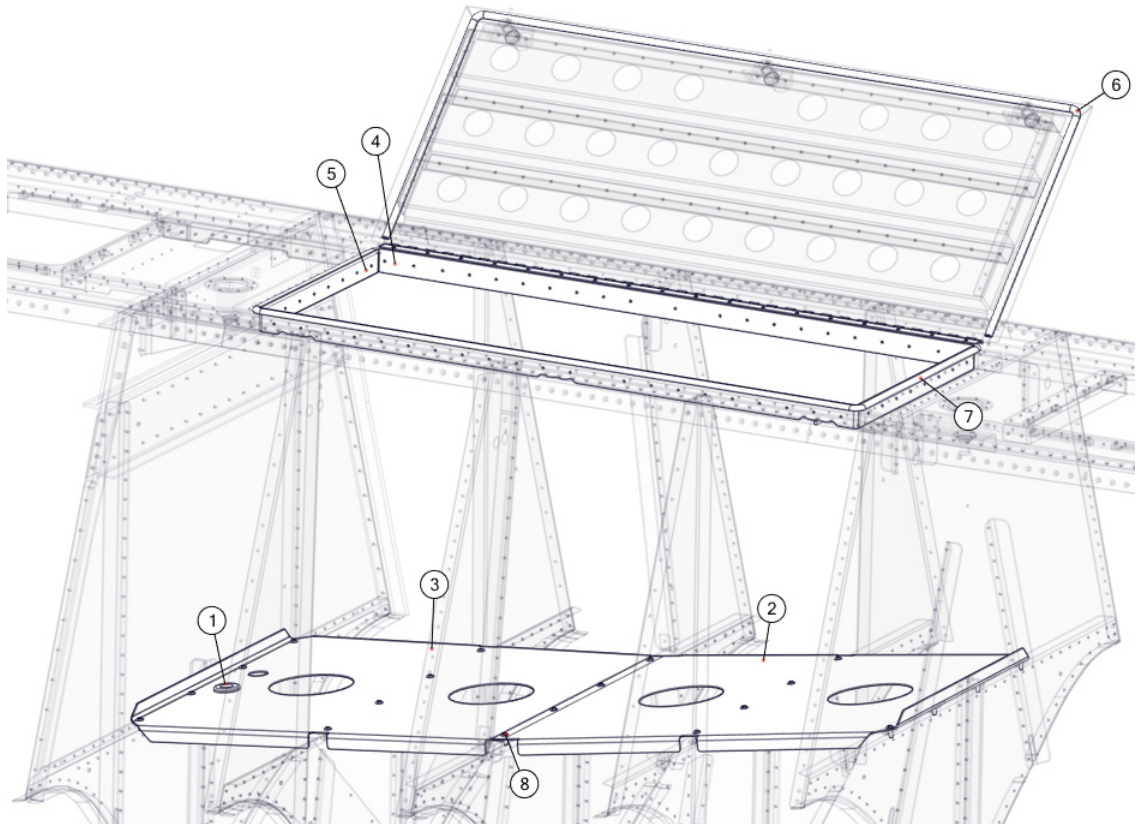
BAGGAGE COMPARTMENT, LEFT FLOAT



BAGGAGE COMPARTMENT, LEFT FLOAT

ITEM	QTY	PART NO.	PART DESCRIPTION
1	1	MS35489-19	GROMMET
2	1	1007774	PANEL, BAGGAGE FLOOR, FORWARD
3	1	1007775	PANEL, BAGGAGE FLOOR, AFT
4	1	1007793	BAGGAGE LIP, LATCH PLATE
5	1	1007875	BAGGAGE LIP, LEFT FLOAT
6	4.85 FT	1009671	GASKET, DOOR
7	4.85 FT	1009671	GASKET, DOOR
8	20	AN526-832R8	SCREW

BAGGAGE COMPARTMENT, RIGHT FLOAT

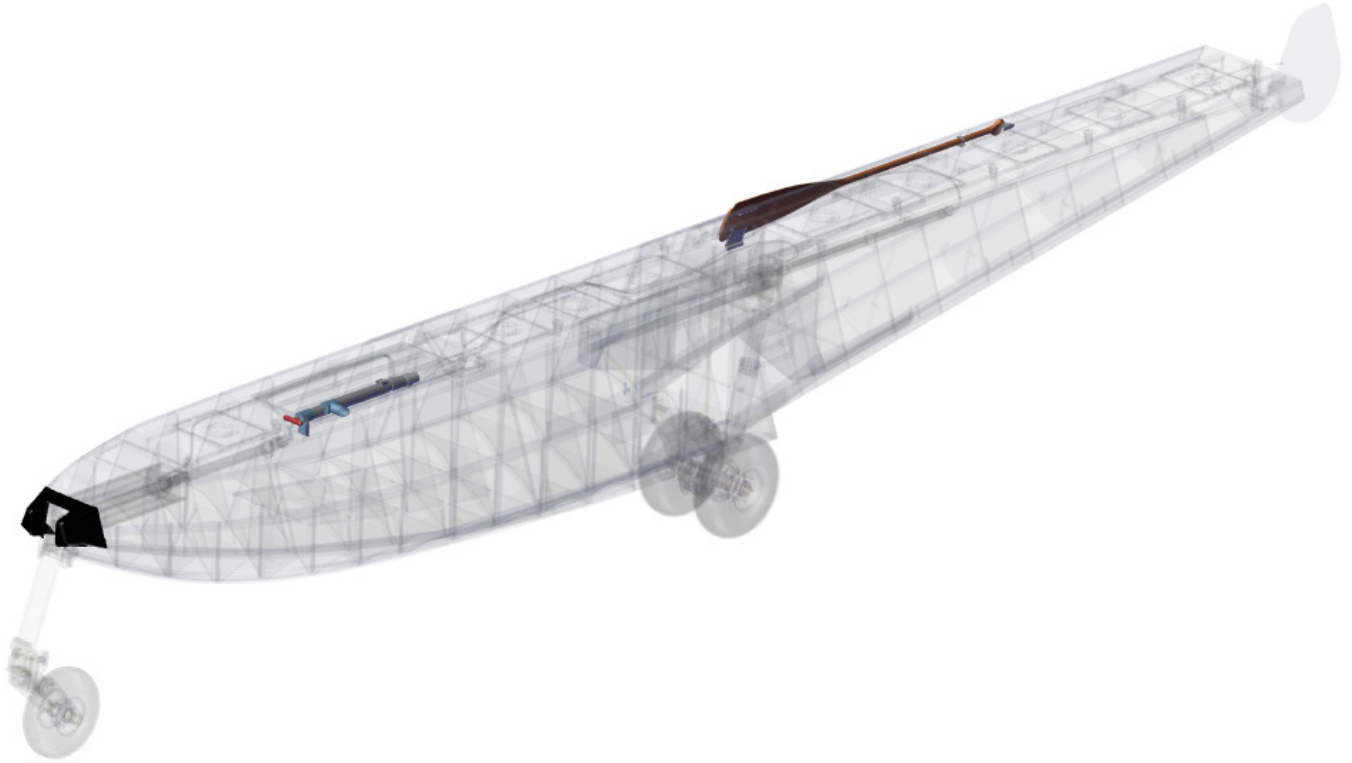


BAGGAGE COMPARTMENT, RIGHT FLOAT

ITEM	QTY	PART NO.	PART DESCRIPTION
1	1	MS35489-19	GROMMET
2	1	1007774	PANEL, BAGGAGE FLOOR, FORWARD
3	1	1007775	PANEL, BAGGAGE FLOOR, AFT
4	1	1007793	BAGGAGE LIP, LATCH PLATE
5	1	1007876	BAGGAGE LIP, RIGHT FLOAT
6	4.85 FT	1009671	GASKET, DOOR
7	4.85 FT	1009671	GASKET, DOOR
8	20	AN526-832R8	SCREW

THIS PAGE INTENTIONALLY LEFT BLANK

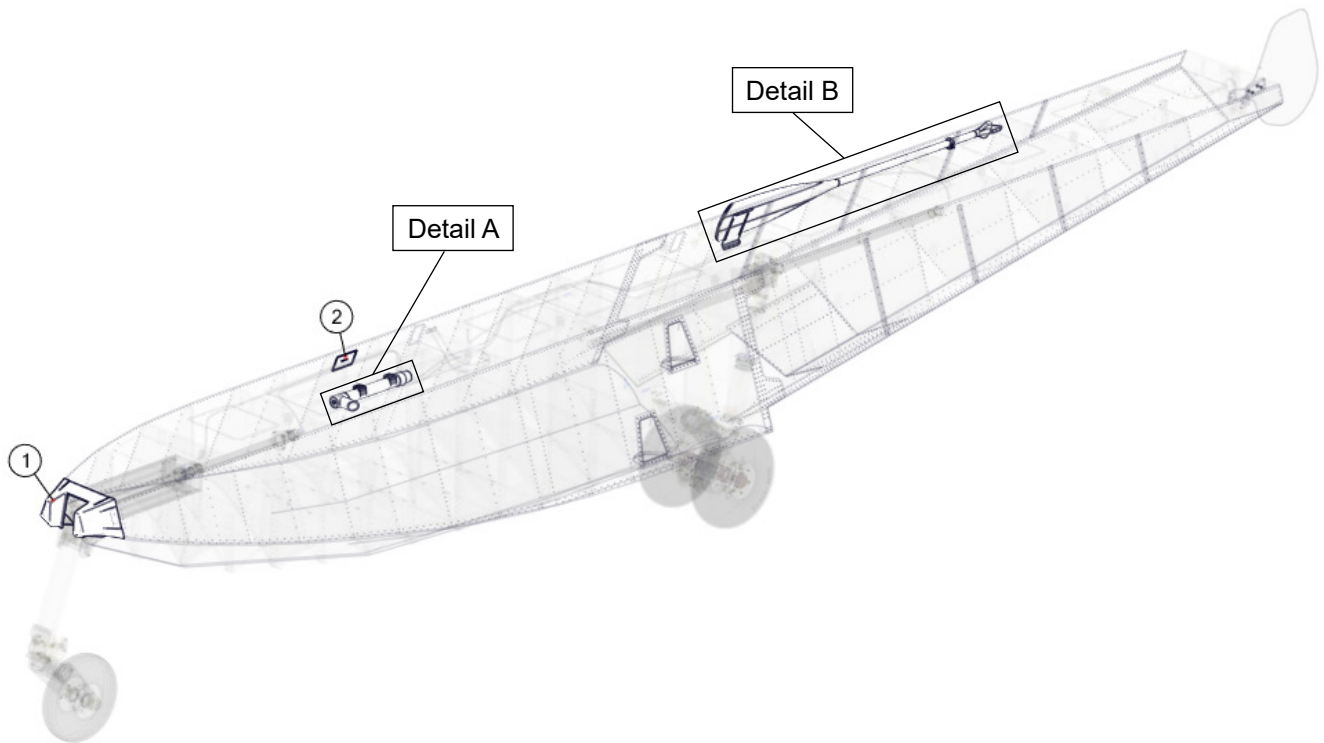
SECTION 14 ADDITIONAL FLOAT COMPONENTS



CONTENTS

ADDITIONAL FLOAT COMPONENTS, LEFT AND RIGHT FLOATS	210
1007865 ASSEMBLY, NOSE BUMPER.....	211
ADDITIONAL FLOAT COMPONENTS, LEFT AND RIGHT FLOATS DETAIL A.....	212
ADDITIONAL FLOAT COMPONENTS, LEFT AND RIGHT FLOATS DETAIL B.....	213

ADDITIONAL FLOAT COMPONENTS, LEFT AND RIGHT FLOATS

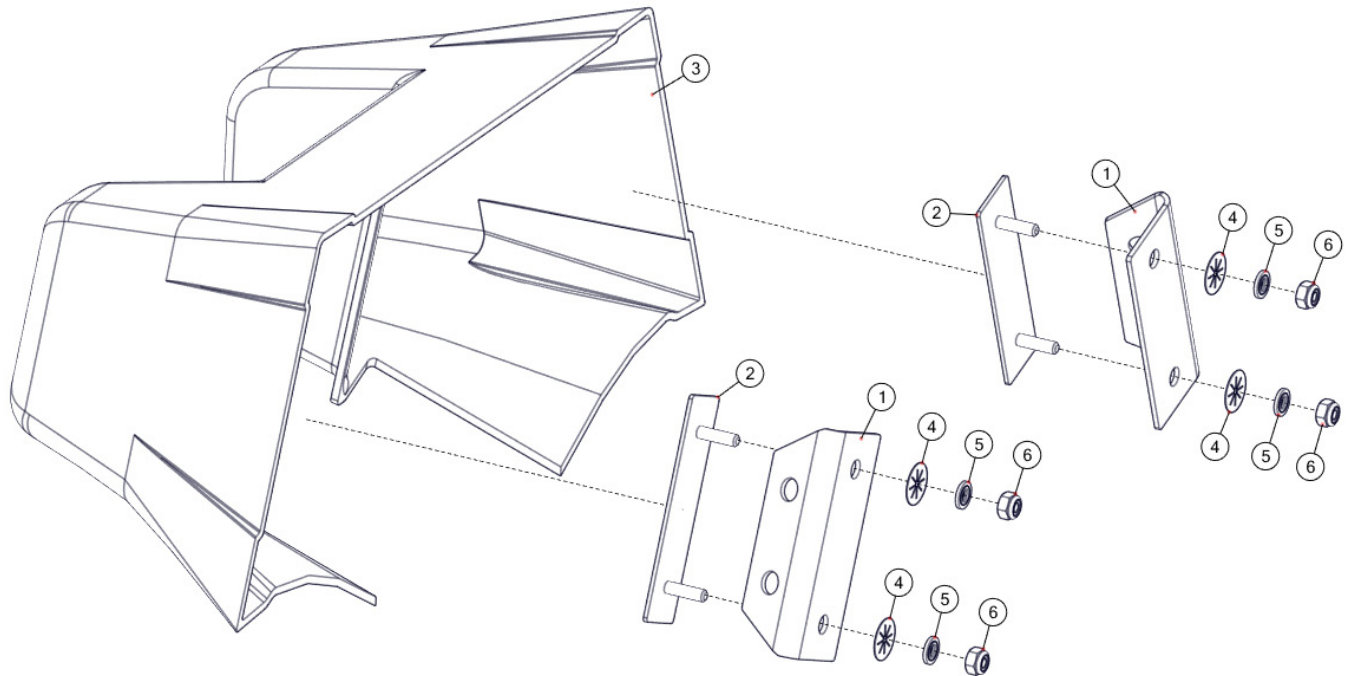


ADDITIONAL FLOAT COMPONENTS, LEFT AND RIGHT FLOAT

ITEM	QTY	PART NO.	PART DESCRIPTION
1	1	1007865	ASSEMBLY, NOSE BUMPER
2	1	9B3-138-7	DATA PLATE, FLOAT
Detail A	1	-	FLOAT HAND PUMP
Detail B	1	-	CANOE PADDLE

*See [Detailed Views](#) section for Detailed Views explanation

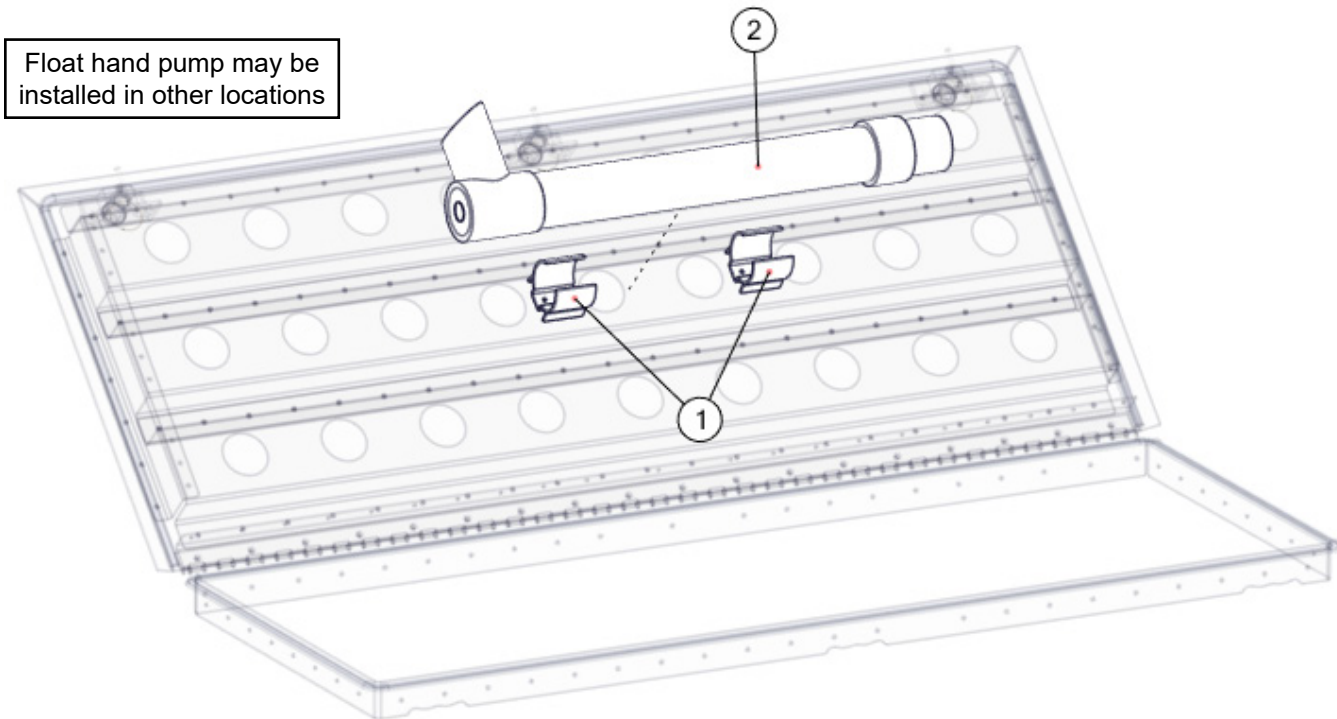
1007865 ASSEMBLY, NOSE BUMPER



1007865 ASSEMBLY, NOSE BUMPER

ITEM	QTY	PART NO.	PART DESCRIPTION
1	2	1007863	ANGLE, MOUNT, NOSE BUMPER
2	2	1007864	WELDMENT, PLATE, SCREW MOUNT, NOSE BUMPER
3	1	1007865-01	NOSE BUMPER
4	4	4HFW3	PUSH NUT WASHER
5	4	600-0015-10	WASHER, SEALING
6	4	MS21044N3	NUT

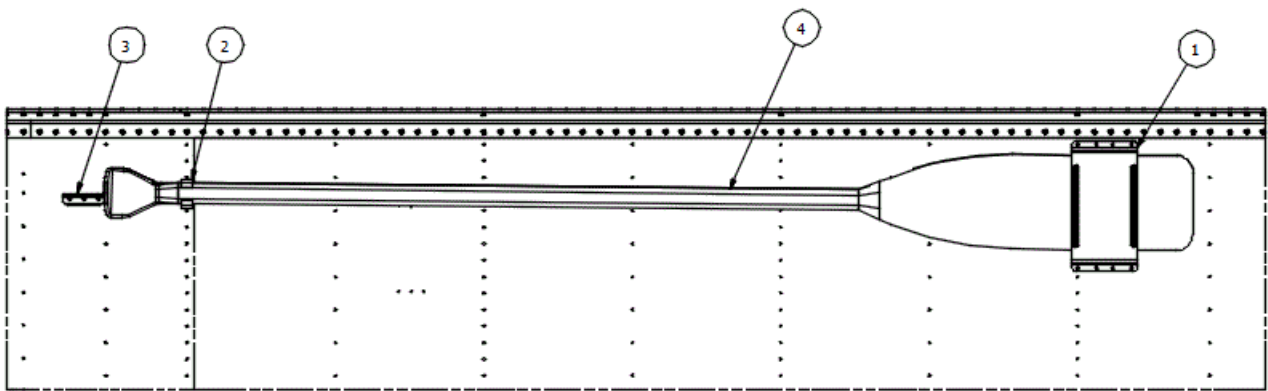
ADDITIONAL FLOAT COMPONENTS, LEFT AND RIGHT FLOATS DETAIL A



ADDITIONAL FLOAT COMPONENTS, LEFT AND RIGHT FLOAT DETAIL A

ITEM	QTY	PART NO.	PART DESCRIPTION
1	2	AS1149-0332P	CLIP, PLASTIC, PUMPOUT (SCREWS INCLUDED, MAY BE RIVETED IN)
2	1	F15PX	PUMP, HAND, FLOAT, 15"
2 (ALT)	1	F24PX	PUMP, HAND, FLOAT, 24"
2 (ALT)	1	F36PX	PUMP, HAND, FLOAT, 36"

ADDITIONAL FLOAT COMPONENTS, LEFT AND RIGHT FLOATS DETAIL B



ADDITIONAL FLOAT COMPONENTS, LEFT AND RIGHT FLOAT DETAIL B

ITEM	QTY	PART NO.	PART DESCRIPTION
1	1	3A01158-093	BRACKET, CANOE PADDLE
2	1	3A01503-001	CLIP, PADDLE
3 LT.	1	6A01156-059	BRACKET, CANOE PADDLE STOP, LH
3 RT.	1	6A01156-058	BRACKET, CANOE PADDLE STOP, RH
4	1	0238-0068	PADDLE, 5 1/2 FT BEAVER BRAND



FLEMING FIELD
1700 HENRY AVE.
SOUTH ST. PAUL, MN 55075 U.S.A.
PHONE: (651) 451-1205 FAX: (651) 457-1786
EMAIL: INFO@WIPAIRE.COM
WWW.WIPAIRE.COM