



WIPLINE FLOATS • SKIS • MODIFICATIONS • AIRCRAFT SALES
AVIONICS • INTERIOR • MAINTENANCE • PAINT REFINISHING

SERVICE LETTER 215

DeHavilland DHC-2 Beaver 6000A, 6100A & DHC-3 Single Otter 8000A Hydraulic Pump Replacement

Aircraft Makes/Model(s):	Float Model(s):	Compliance: Optional	By: MAS
DeHavilland DHC-2 DeHavilland DHC-3	6000A, 6100A 8000A	Part Number: 1011601	Approved: DRH
		Date: 1/18/2024	Revision: C

LOG OF REVISIONS

Revision	Description	Date
A	Initial release	5/7/2021
B	Updated title, added model DHC-3 on 8000A, updated effectivity and weight and balance, updated step 3 in Work Instructions, updated Hydraulic & Electrical Schematics.	5/26/2021
C	Added 6000A float model to this service letter.	1/18/2024

FAA approval has been obtained for technical data in this publication that affects STC or TSO design compliance.

EFFECTIVITY:

This service letter applies to DeHavilland Beaver model DHC-2 with Wipline 6000 or 6100 Amphibian Floats installed per STC SA610GL or STC SA309CH and DeHavilland Single Otter model DHC-3 with Wipline 8000 Amphibian Floats installed per STC SA00900CH.

COMPLIANCE:

Optional compliance

BACKGROUND:

Hydraulic Pump Assembly p/n 6A09000-029 has been discontinued. This service letter provides the option to replace it with a new pump p/n 1011404.

COMPLIANCE METHOD:

Install provided parts as shown in the Work Instruction section of this service letter.

APPROXIMATE SHOP HOURS:

The work instruction for this service letter will take approximately 8 labor hours.

WEIGHT AND BALANCE CHANGE:

DHC-2 MK I only +4 lbs, F.S. 211.00

DHC-2 MK III only +4 lbs, F.S. 311.00

DHC-3 only +4 lbs, F.S. 285.50

WARRANTY INFORMATION:

This service letter does not include warranty for labor and parts.

1700 Henry Ave - Fleming Field (KSGS), South St. Paul, MN 55075

Phone: 651.451.1205 | Fax: 651.457.7858

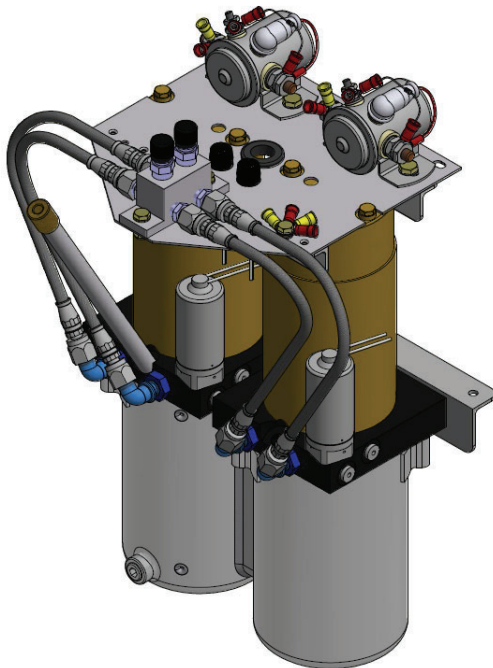
www.wipaire.com

TECHNICAL DATA:

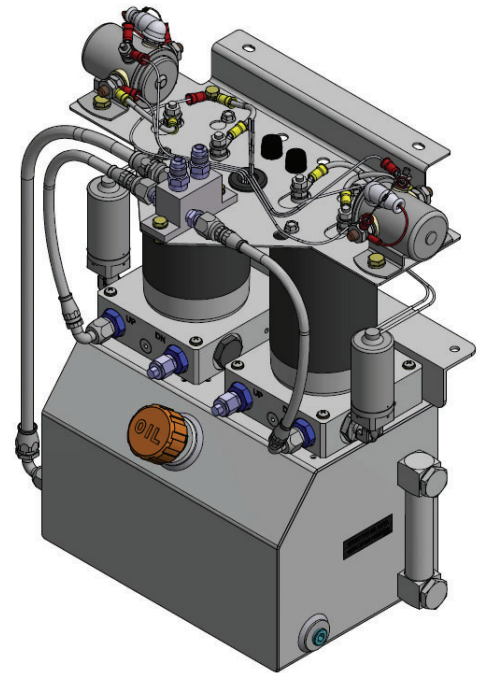
Copies of this service letter, associated service kit (if applicable), float service manual, and float parts manual are available at www.wipaire.com.

ITEMS PROVIDED IN SERVICE KIT 1011601-01

ITEM	QTY	PART NUMBER	DESCRIPTION
1	1	1011404	ASSEMBLY, HYDRAULIC POWER PACK
2	2	320559	CRIMP TERMINAL, BUTT, 22-16 AWG



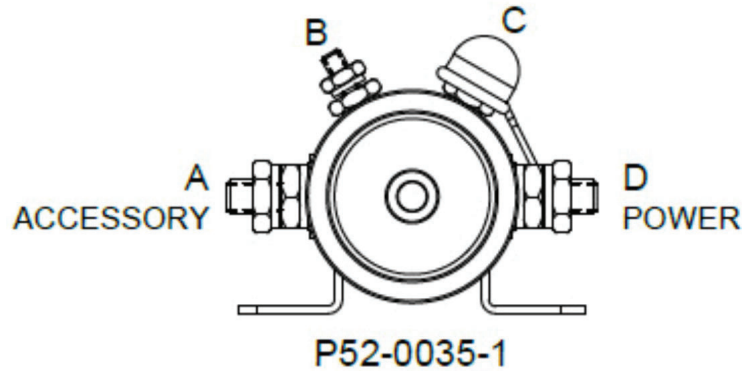
DISCONTINUED
HYDRAULIC PUMP 6A09000-029



NEW
HYDRAULIC PUMP 1011404

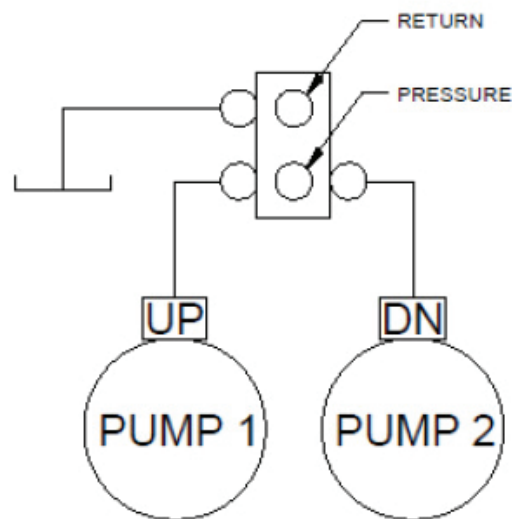
Work Instruction

1. Pull Pump 1 and Pump 2 circuit breakers.
2. Remove and cap both pressure and return hydraulic lines on hydraulic pump manifold 6A09000-027.
3. Remove GA1 and GA4 wires (12 ga) from electrical solenoids terminal "D" on hydraulic power pack 6A09000-029.



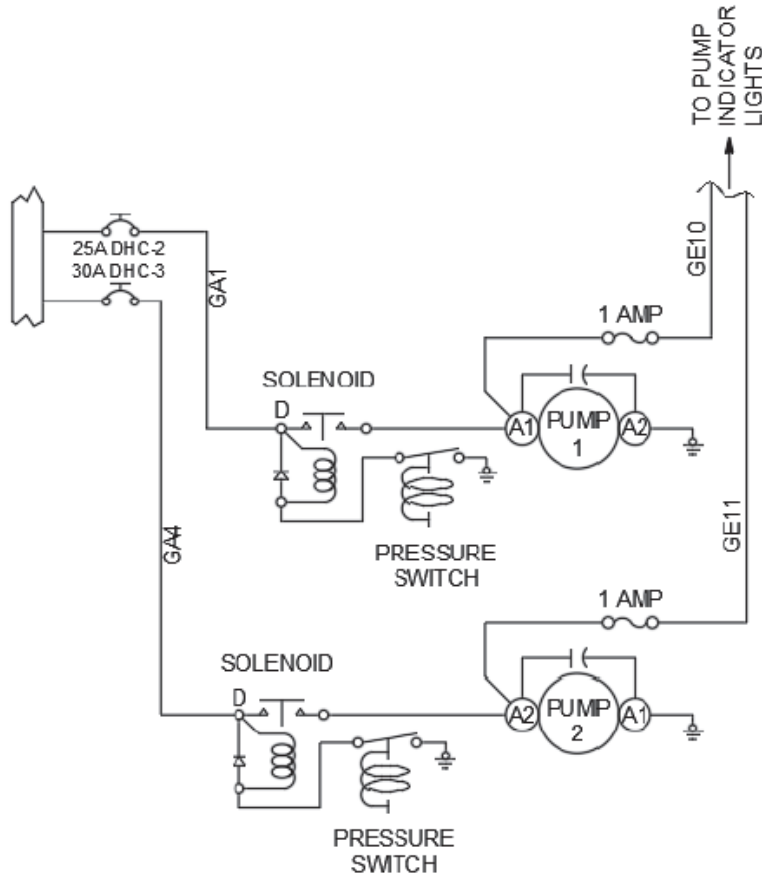
SOLENOID SCHEMATIC

4. Cut GE10 and GE11 wires (20 ga) at butt splice connection.
5. Unbolt and remove hydraulic power pack 6A09000-029 from pump mount assembly.
6. Install new hydraulic power pack 1011404 onto pump mount assembly using existing hardware.
7. Install pressure and return line to hydraulic pump manifold. Refer to hydraulic schematic.



HYDRAULIC SCHEMATIC

8. Re-install GE10 and GE11 wires (20 ga) onto wires coming from fuse holder with supplied butt splice connectors. See electrical schematic.



ELECTRICAL SCHEMATIC

9. Re-install GA1 and GA4 wires (12 ga) onto electrical solenoids on hydraulic power pack 1011404. See electrical schematic.
10. Reset Pump 1 and Pump 2 circuit breakers, service pump reservoir with MIL-H-5606 hydraulic fluid, and perform a retraction/extension test to make sure system is functioning correctly. Watch the system for leaks and add MIL-H-5606 hydraulic fluid as needed.

Aircraft Closing & Return to Service

1. Upon completion of inspection, enter information in Aircraft Logbook for completion of Wipaire Service Letter 215.