



WIPLINE FLOATS • SKIS • MODIFICATIONS • AIRCRAFT SALES
AVIONICS • INTERIOR • MAINTENANCE • PAINT REFINISHING

SERVICE LETTER 259

BAGGAGE LOCKER CONVERSION FOR FOAM RETARDANT TANK

Aircraft Makes/Model(s):	Float Model(s):	Compliance: Optional	By: MAS
Air Tractor AT-802 & AT802A	10000A	Part Number: 1012481	Approved: DRH
		Date: 1/11/2024	Revision: A

LOG OF REVISIONS

Revision	Description	Date
A	Initial release	1/11/2024

FAA approval has been obtained for technical data in this publication that affects STC or TSO design compliance.

EFFECTIVITY:

This service letter applies to Air Tractor models AT-802 and AT-802A with Wipline 10000 Amphibian Floats installed per STC SA01795CH, float serial number 10269A and later.

COMPLIANCE:

Compliance is optional.

BACKGROUND:

Wipaire implemented a new aluminum baggage locker floor designed for the stowage of pilot gear, starting with float serial number 10269A. In response to operators' requests, a modification for the baggage compartment has been developed to accommodate a 30-gallon foam retardant tank. This service letter provides installation instructions for modifying the baggage area and serves as a supplement to the foam retardant system installation per Wipaire Drawing 7D1-4386.

COMPLIANCE METHOD:

Installation of the kit parts following the instructions outlined in each section of this service letter.

APPROXIMATE SHOP HOURS:

Performing the work instruction will take approximately 12 labor hours to complete per float set.

WARRANTY INFORMATION:

This service letter does not include warranty for labor and parts.

TECHNICAL DATA:

Copies of this service letter, associated service kit (if applicable), float service manual, and float parts manual are available by contacting Wipaire customer service.

1700 Henry Ave - Fleming Field (KSGS), South St. Paul, MN 55075

Phone: 651.451.1205 | Fax: 651.457.7858

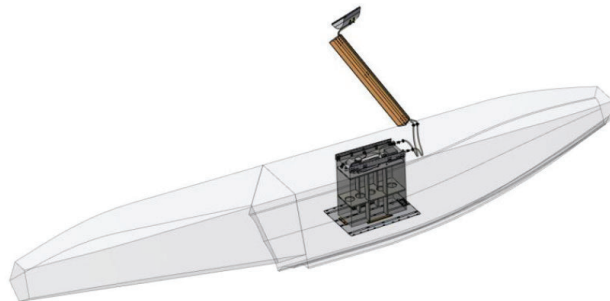
www.wipaire.com

NOTES:

1. All images shown depict a Kit -01 Right Float installation, the Left Float is opposite except for main floor and floor channels.
2. Installation Kit No. -02 and -03 are optional and require the installation of Kit No. -01.

KIT CONFIGURATION TABLE	
CONFIGURATION KIT NUMBER	DESCRIPTION
1012481-01	KIT, BAGGAGE LOCKER CONVERSION
1012481-02	KIT, BAGGAGE LOCKER CONVERSION, OVERFLOW/VENT RETURN HOSE
1012481-03	KIT, BAGGAGE LOCKER CONVERSION, FOAM RETARDANT TANK ONLY

ITEMS PROVIDED IN SERVICE KIT 1012481-01, -02, -03 (1 KIT PER FLOAT)					
ITEM	-01	-02	-03	PART NUMBER	DESCRIPTION
1	0	0	1	1001798	ASSEMBLY, FOAM TANK
2	2	0	0	1002127	BRACKET, FLOOR, FOAM TANK, 6 IN
3	2	0	0	1002128	BRACKET, FLOOR, FOAM TANK, 12 IN
4	1	0	0	1004569	BAGGAGE LIP, OBRD, FOAM TANK, 10000
5	1	0	0	1004574	BAGGAGE LIP, IBRD, FOAM TANK, 10000 FLOAT
6	8	0	0	1011031	SHIM, FOAM TANK, 10000 FLOATS
7	1	0	0	10A12154-017	CLIP, MOUNTING, FOAM TANK WIRING
8	1	0	0	206062-3	CABLE CLAMP, CPC, SIZE 11
9	1	0	0	206430-1	CPC SQUARE FLANGE, 4 PIN, FEMALE
10	0	1	0	48725642	FITTING, TUBE ADAPTER, ELBOW, 1/2" BARB, 3/8" NPT
11	2	2	0	5372K124	FITTING, TUBE ADAPTER, 1/2 X 3/8
12	4	4	0	54195K16	HOSE CLAMP
13	8 FT	8 FT	0	60703	TUBING
14	8	0	0	6391K132	BUSHING, .250 ID, .375 OD, X .50 LG
15	3	0	0	66101-4	CRIMP TERMINAL, FEMALE, 16-18 AWG
16	1	1	1	7A3-4397	PLACARD, FOAM TANK
17	8	0	0	AN4-11A	BOLT, 1/4-28, 0.6875 GRIP, UNDRILLED
18	8	0	0	AN525-10R12	SCREW, BRACKETS
19	8	0	0	AN970-4	WASHER, .265 ID, 1.125 OD, .063 THK
20	8	0	0	MS21059L3	NUTPLATE, FLOATING, 10/32
21	4	0	0	MS24693-S48	SCREW, MOUNTING CLIP
22	4	0	0	MS35206-214	SCREW, WIRING CONNECTOR
23	1	1	0	MS35489-17	GROMMET, TUBING, BULHEAD
24	1	1	0	MS35489-49	GROMMET, TUBING, TOPDECK



Baggage Floor Removal

1. Remove the side floor panels.
2. Remove the main floor panel.
3. Remove the floor channels.
4. Remove the mounting plate from the forward access cover.
5. Remove the forward access cover, the aft access cover does not need to be removed.

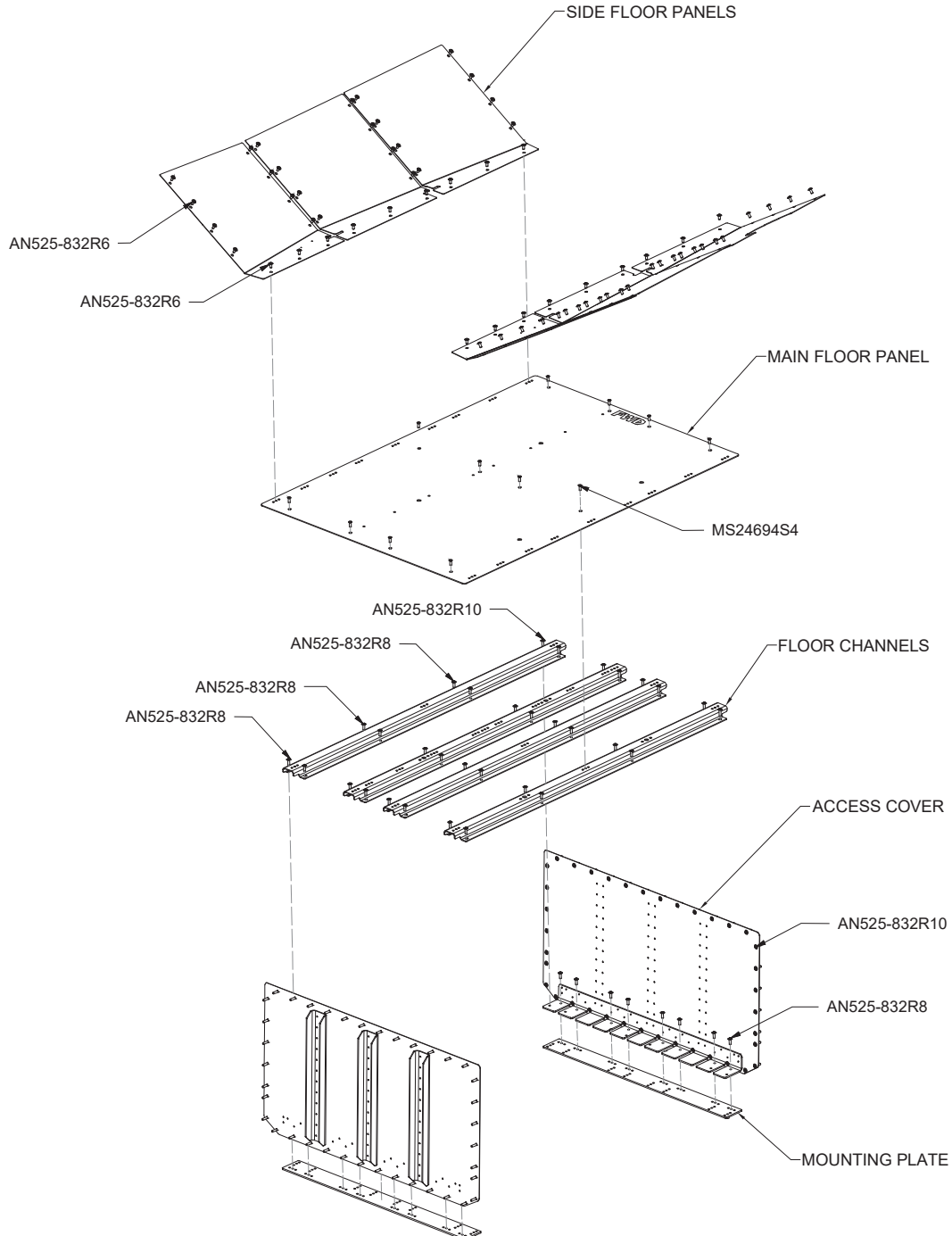


Figure 1

Baggage Floor Modification

1. Drill holes and install nutplates with flush rivets in the baggage floor panel per Figure 2.
2. Secure the floor brackets to the floor panel with noted fasteners per Figure 3.

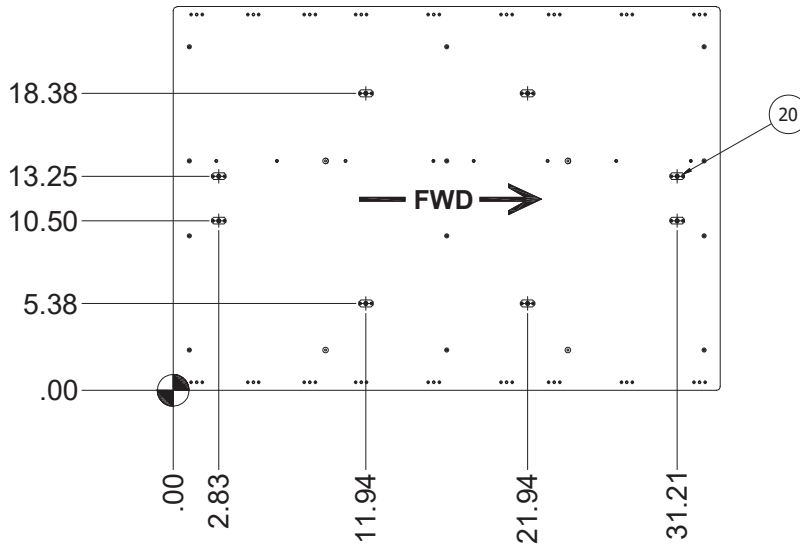


Figure 2

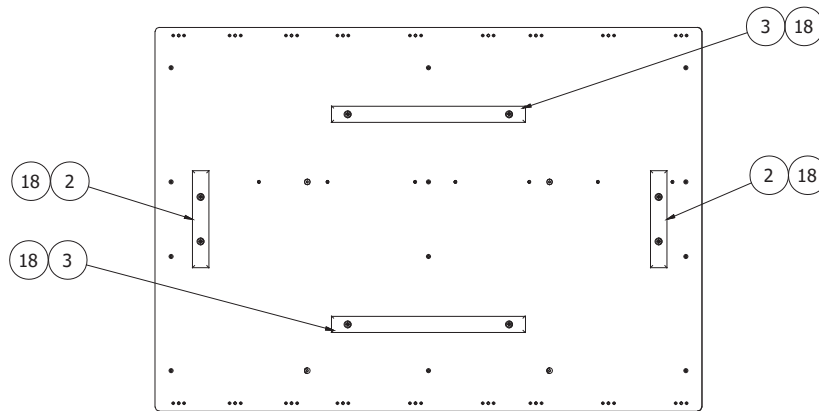


Figure 3

Baggage Lip Replacement

1. Remove the existing inboard and outboard baggage lip per Figure 4.
2. Cleco inboard baggage lip in place.
3. Match drill 4X Ø.194 holes for the electrical mounting clip from the inboard baggage lip into the topdeck rail.
4. Remove Inboard baggage lip, debur and apply corrosion inhibitor to the drilled holes.
5. Install inboard and outboard baggage lips with MS20426-4 rivets to the topdeck rails.

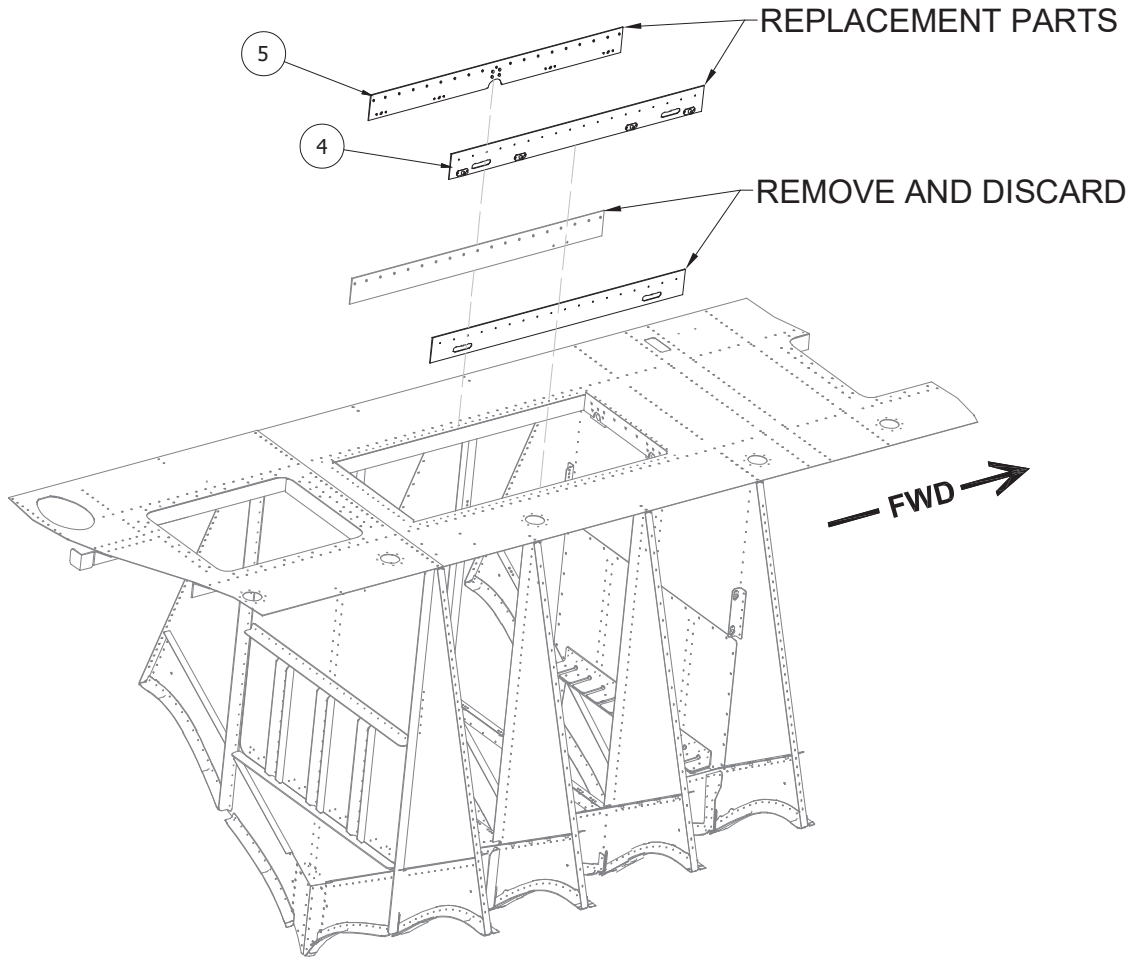


Figure 4

Wiring Connector

1. Find the stowed wiring harness Labeled P8/P9 in the aft Inboard corner of the float baggage compartment.
2. Install the noted pins, connector, & cable clamp to P8/P9 per the wiring diagram in Figure 5.
3. Fasten the wiring connector to the mounting clip using noted screws while it is free hanging per Figure 6.
4. Fasten the connector mounting clip to the backside of the baggage lip/top deck rail with noted fasteners per Figure 6.

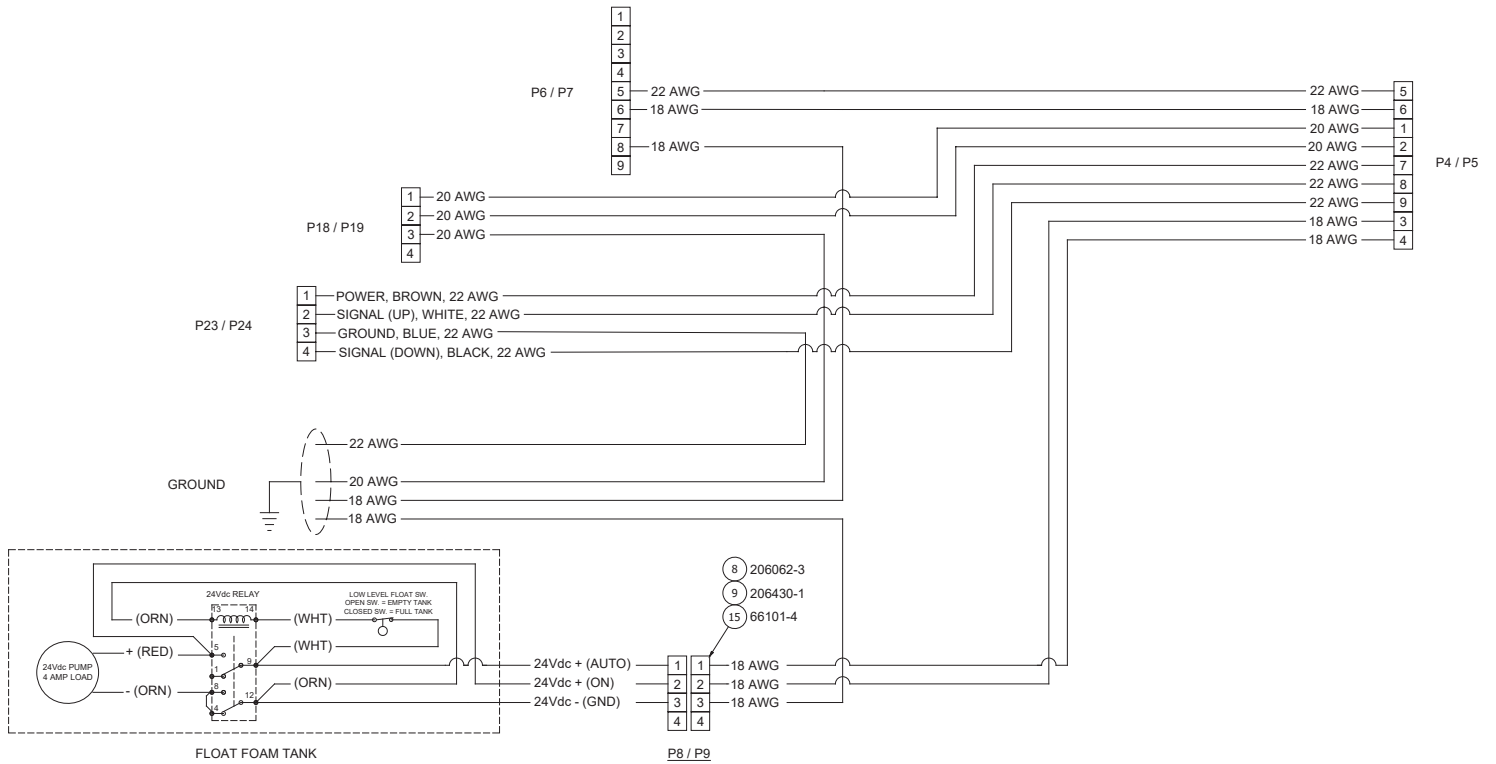


Figure 5

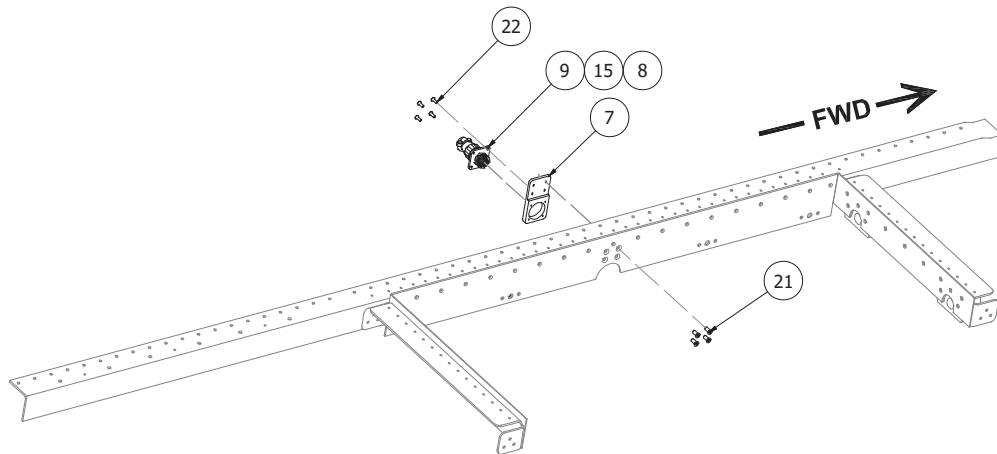


Figure 6

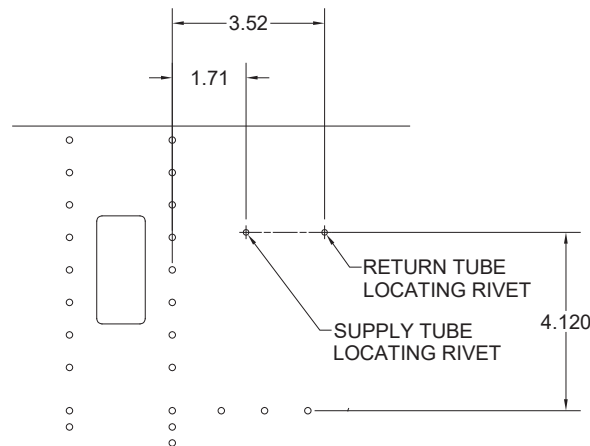
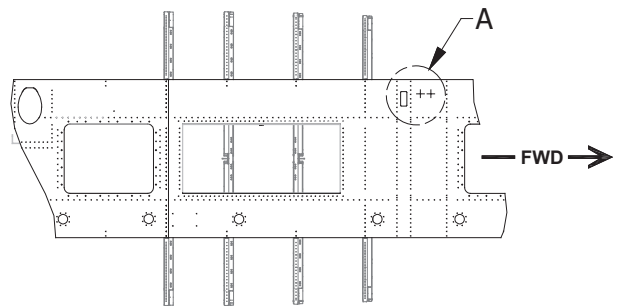
Tube Routing

SUPPLY TUBE:

1. Find the existing "Supply" locating rivet in the topdeck for drilling out the tubing hole per Figure 7.
2. Drill $\text{\O}0.875$ inch hole in the top skin, debur, apply corrosion inhibitor, and install the noted grommet per Figure 8.
3. Locate the tube coupler on the backside of the FWD baggage lip Figure 8.
4. Remove the tubing plug on the bulkhead directly behind the tube coupler and replace it with a noted grommet.
5. Apply Teflon tape to the threads of the barbed fitting and install the fitting to the backside to the tube coupler.
6. Route the tubing from the fuselage connection, down the inside of the strut, through the topdeck grommet, through the bulkhead grommet, and secure each end of the tubing to the barbed fittings with tubing clamp per Figure 8.

RETURN TUBE: (OPTIONAL)

1. Find the existing "Return" locating rivet in the topdeck for drilling out the tubing hole per Figure 7.
2. Drill $\text{\O}0.875$ inch hole in the top skin, debur, apply corrosion inhibitor, and install the noted grommet per Figure 8.
3. Locate the tube coupler on the backside of the FWD baggage lip Figure 8.
4. Remove the tubing plug on the bulkhead directly behind the tube coupler and replace it with a noted grommet.
5. Apply Teflon tape to the threads of the barbed fitting and install the fitting to the backside to the tube coupler.
6. Route the tubing from the fuselage connection, down the inside of the strut, through the topdeck grommet, through the bulkhead grommet, and secure each end of the tubing to the barbed fittings with tubing clamp per Figure 8.



DETAIL A

Figure 7

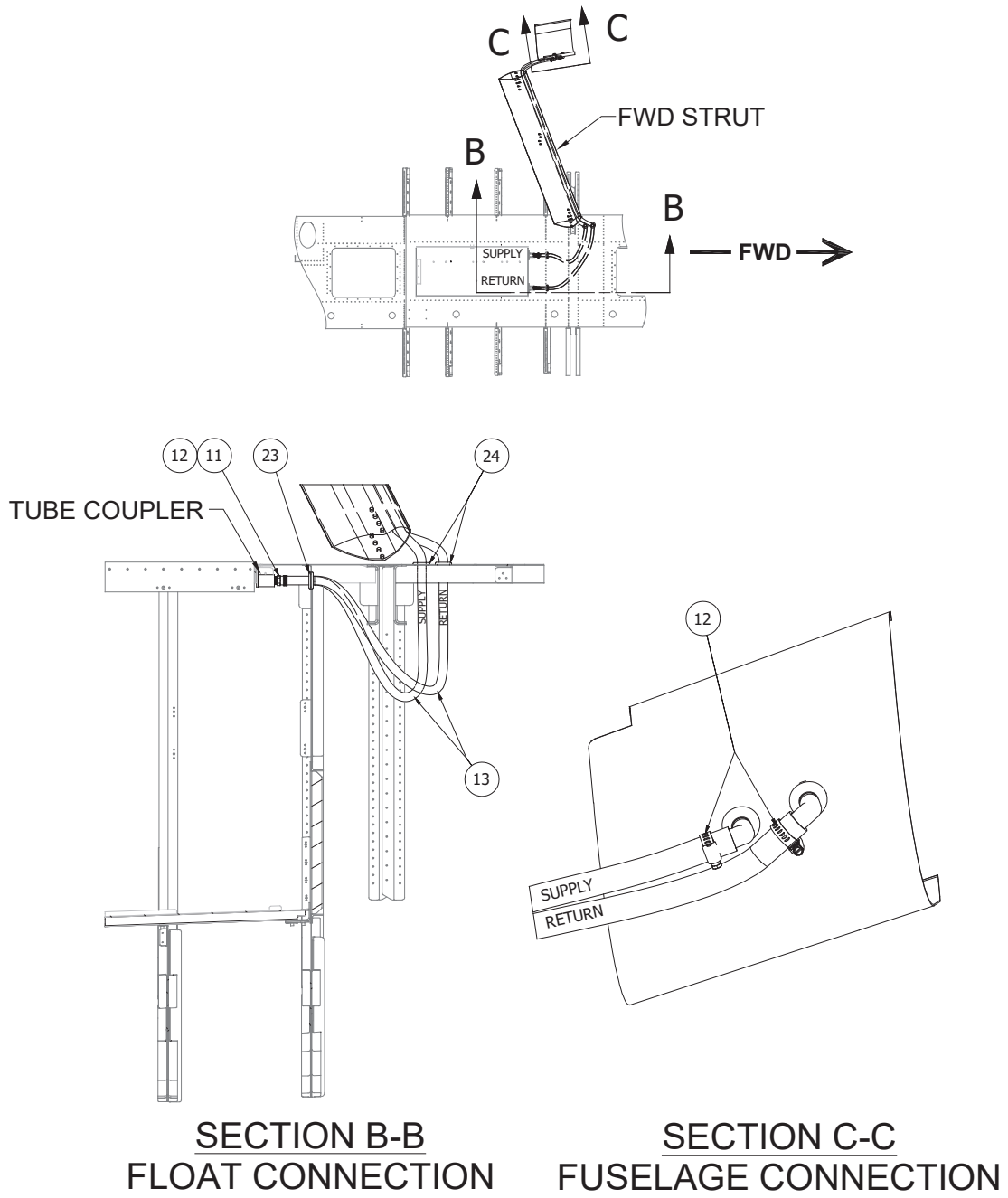


Figure 8

Foam Tank Installation

1. Reinstall the forward access cover, mounting plate, floor channels, and modified baggage floor into the float per Figure 1.
2. Reinstalling the side floor panels:
 - a. Reinstalling the side floor panels is optional and may be omitted if desired.
 - b. If side floor panels are reinstalled, every other screw (qty 6) may be omitted for securing them.
3. Insert the foam tank into the baggage opening.
4. Inspect tank perimeter for any pass-through cutout misalignments for the wiring, tubing, or fasteners.
5. Shim under the tank and/or modify the tank pass-through cutouts as needed.
6. Install the noted shims between the tank and the baggage lip, secure the tank with noted fasteners per Figure 9.

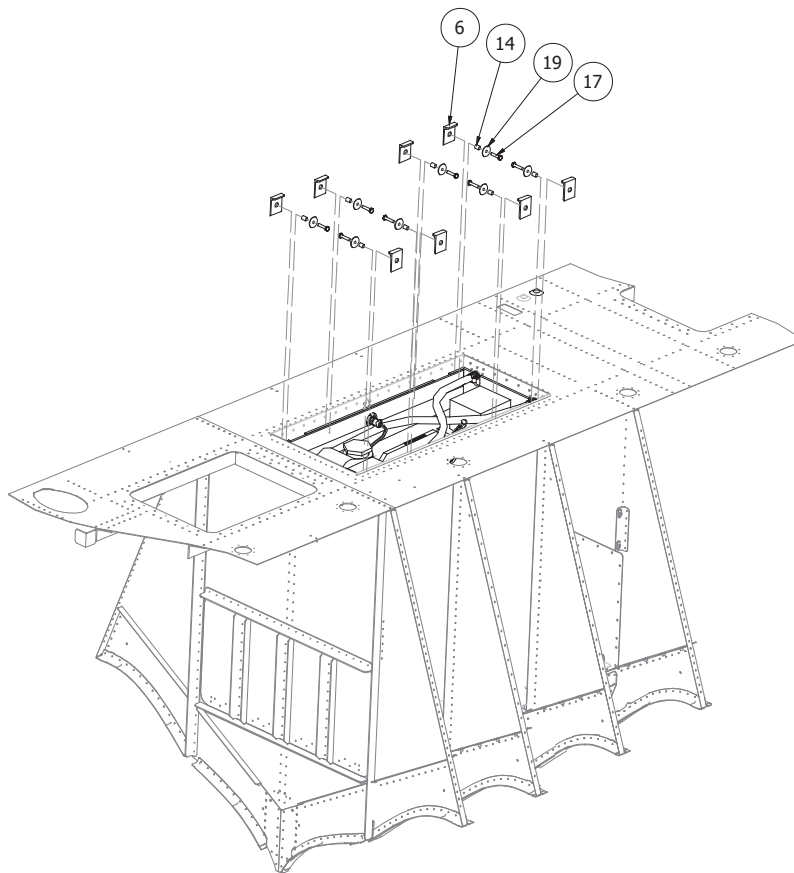


Figure 9

Foam Tank Connections

SUPPLY TUBE:

1. Apply Teflon tape to the barbed fitting and install the fitting on the front side of the tube coupler per Figure 10.
2. Connect the Supply tubing between the tank pump and the barbed fitting with noted clamps per Figure 10.

RETURN TUBE: (OPTIONAL)

1. Remove the hex plug from the tank from the tank shown in Figure 10, drill a 3/8-18 hole in the center of the plug and tap with a 3/8-18 NPT tap. Apply Teflon tape and reinstall it into the tank.
2. Apply Teflon tape to the threads on the elbow fitting and install into the hex plug in the orientation shown in Figure 10
3. Connect the Return tubing between the elbow fitting and the barbed fitting with noted clamps per Figure 10.

ELECTRICAL:

1. Connect the tank wiring to the baggage lip electrical connector per Figure 10.

PLACARD:

1. Install the placard as shown in Figure 10.

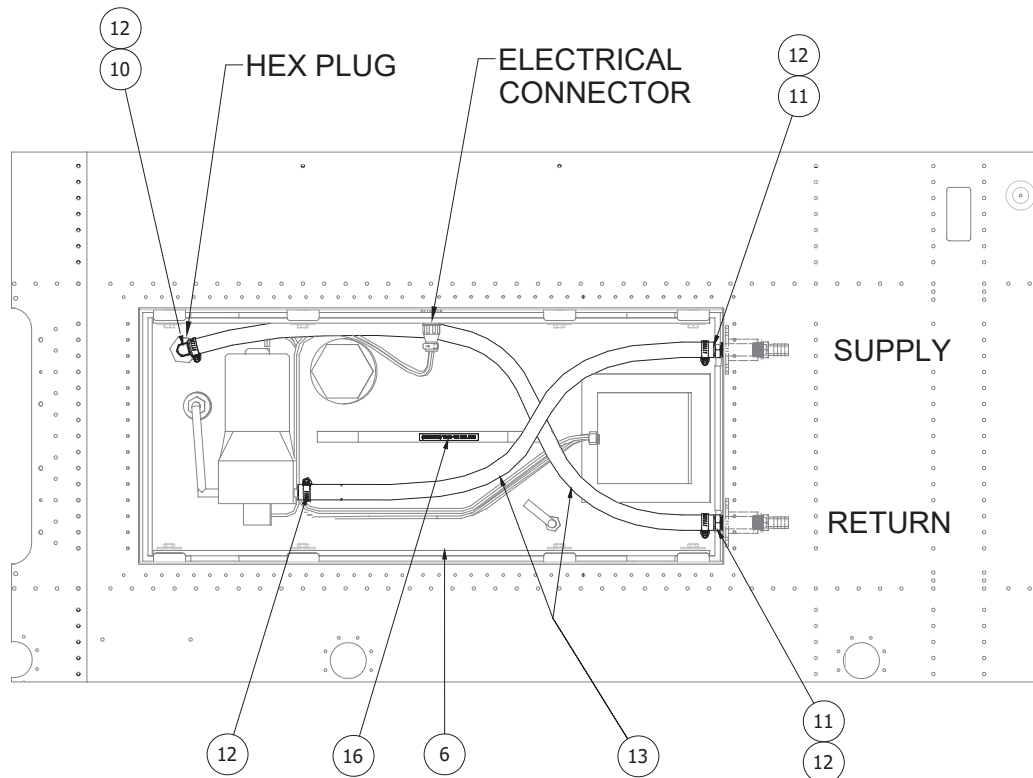


Figure 10

Aircraft Closing & Return to Service

1. Upon completion of inspection, enter information in Aircraft Logbook for completion of Wipaire Service Letter 259.