



WIPLINE FLOATS • SKIS • MODIFICATIONS • AIRCRAFT SALES
AVIONICS • INTERIOR • MAINTENANCE • PAINT REFINISHING

SERVICE LETTER 262

3000/3450 MAIN GEAR ACTUATOR REPLACEMENT

Aircraft Makes/Model(s):	Float Model(s):	Compliance: Optional	By: MAS
Textron Aviation 180, 182, 185, 206 Maule M-6-235, M-7-260, M-7-260C, MT-7-260, M-7-235, M-7-235B, M-7-235C, MT-7-235, M-7-420A, M-7-420AC	3000A, 3450A With Aluminum Main Gear Only	Part Number: 1012505	Approved: DRH
		Date: 6/5/2024	Revision: A

LOG OF REVISIONS

Revision	Description	Date
A	Initial release	6/5/2024

FAA approval has been obtained for technical data in this publication that affects STC or TSO design compliance.

EFFECTIVITY:

This service letter applies to Textron Aviation models 180, 182, 185, and 206 and Maule models M-6-235, M-7-260, M-7-260C, MT-7-260, M-7-235, M-7-235B, M-7-235C, MT-7-235, M-7-420A, and M-7-420AC with Wipline 3000 or 3450 amphibian floats with aluminum main gear only, installed per STC SA01412CH, SA01320CH, SA01156CH, SA01272CH, or SA01185CH. This update became standard for 3000 floats at serial number 30315 and later and for 3450 floats at serial number 34317 and later.

COMPLIANCE:

Compliance is optional.

BACKGROUND:

Some 3000A and 3450A model main gear rotary actuator assemblies are leaking hydraulic oil around the end adjustment bolts. This service letter provides the option to replace the actuator assemblies with assemblies that have internal adjustment bolts.

COMPLIANCE METHOD:

Install provided parts as shown in the work instruction section of this service letter.

APPROXIMATE SHOP HOURS:

Performing the work instructions will take approximately 2 labor hours to complete per float.

WEIGHT AND BALANCE CHANGE:

No changes.

WARRANTY INFORMATION:

This service letter does not include warranty for labor and parts.

TECHNICAL DATA:

Copies of this service letter, associated service kit (if applicable), float service manual, and float parts manual are available by contacting Wipaire customer service.

1700 Henry Ave - Fleming Field (KSGS), South St. Paul, MN 55075

Phone: 651.451.1205 | Fax: 651.457.7858

www.wipaire.com



ITEMS PROVIDED IN SERVICE KIT 1012505-01 FOR 3000A LEFT FLOAT			
ITEM	QTY	PART NUMBER	DESCRIPTION
1	2	1008436	ASSEMBLY, HYDRAULIC LINE, FLOAT TEE TO MAIN, ALUMINUM GEAR, LEFT FLOAT
2	1	1012500	ASSEMBLY, ROTARY ACTUATOR, MAIN GEAR

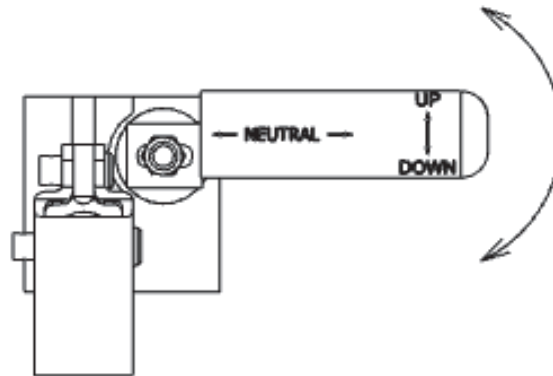
ITEMS PROVIDED IN SERVICE KIT 1012505-02 FOR 3000A RIGHT FLOAT			
ITEM	QTY	PART NUMBER	DESCRIPTION
1	2	1008437	ASSEMBLY, HYDRAULIC LINE, FLOAT TEE TO MAIN, ALUMINUM GEAR, RIGHT FLOAT
2	1	1012500	ASSEMBLY, ROTARY ACTUATOR, MAIN GEAR

ITEMS PROVIDED IN SERVICE KIT 1012505-03 FOR 3450A LEFT FLOAT			
ITEM	QTY	PART NUMBER	DESCRIPTION
1	2	1008438	ASSEMBLY, HYDRAULIC LINE, FLOAT TEE TO MAIN, ALUMINUM GEAR, LEFT FLOAT
2	1	1012500	ASSEMBLY, ROTARY ACTUATOR, MAIN GEAR

ITEMS PROVIDED IN SERVICE KIT 1012505-04 FOR 3450A RIGHT FLOAT			
ITEM	QTY	PART NUMBER	DESCRIPTION
1	2	1008439	ASSEMBLY, HYDRAULIC LINE, FLOAT TEE TO MAIN, ALUMINUM GEAR, RIGHT FLOAT
2	1	1012500	ASSEMBLY, ROTARY ACTUATOR, MAIN GEAR

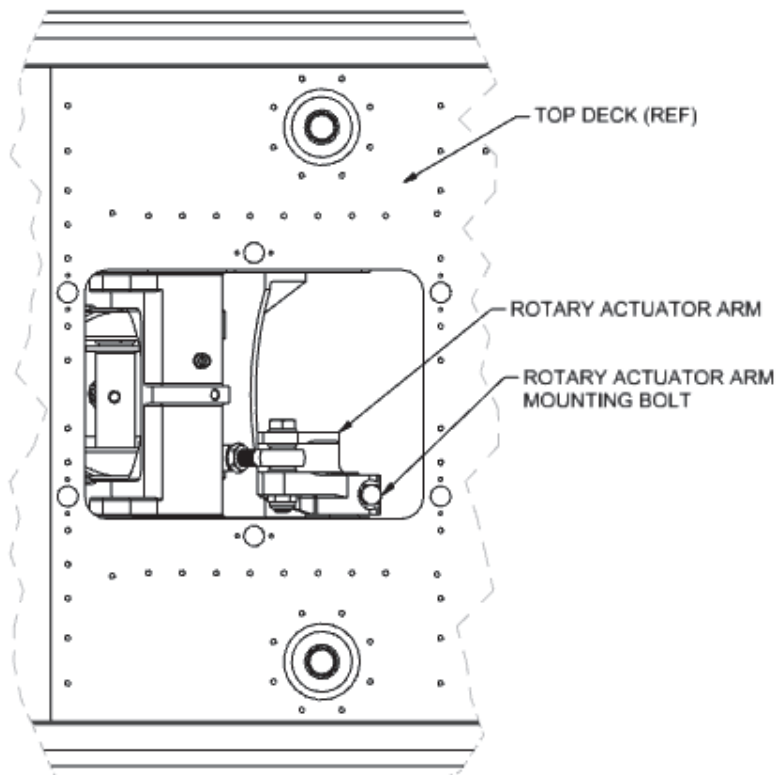
Work Instructions

1. Pull hydraulic pump circuit breaker.
2. Lift and support aircraft referencing 3000 & 3450 Service Manual jacking instructions.
3. To relieve hydraulic pressure from the system, rotate emergency hand pump direction valve handle to the up position then to the down position, then back to neutral.



EMERGENCY HAND PUMP

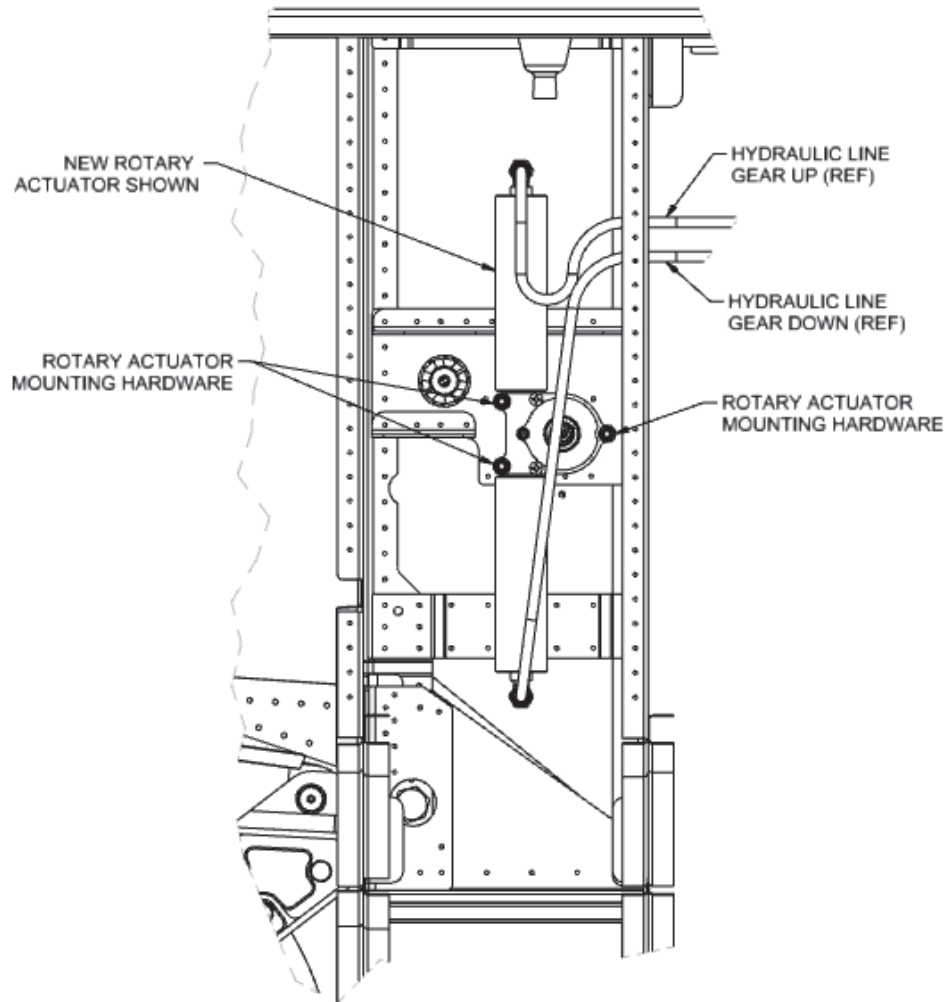
4. Remove gear indicator panel from the float top deck.
5. Loosen rotary actuator arm mounting hardware from rotary actuator shaft.



WHEEL WELL - TOP DECK LOOKING DOWN

6. Gain access to the covers by removing the float side skin access covers to access the actuators, inboard side for left float, outboard side for right float.

7. Remove the two hydraulic lines from the rotary actuator. Note the hydraulic line going to the top of the rotary actuator is gear up and the hydraulic line going to the bottom of the rotary actuator is gear down.
8. Remove the three mounting nuts and washers from the rotary actuator. The rotary actuator should be ready to be removed.



WHEEL WELL SIDE PANEL - SIDE SKIN REMOVED FOR CLARITY
INBOARD LEFT FLOAT
OUTBOARD RIGHT FLOAT

9. Install the new rotary actuator with the existing hardware. When installing the rotary actuator arm to the shaft, align the shaft with the keyway and insert the key before tightening the hardware.
10. If a hydraulic line is too short, cut end off hydraulic line and feed line back through bulkheads #8 to bulkhead #4. Remove line from bulkhead tee fitting on bulkhead #4, and install a new hydraulic line provided in this service letter. Route hydraulic line through bulkheads #5 - #8. If needed, cut the hydraulic line to desired length, and install hydraulic fitting on the end. To install hydraulic fitting, please refer to this link: www.classicperform.com/Instructions/PDF/Aeroquip.pdf.
11. After both hydraulic lines are re-installed, perform a gear retraction/extension test to make sure the system is functioning correctly. Check reservoir and service with MIL-H-5606 hydraulic fluid as needed. Perform leak check of all affected hydraulic fittings.
12. Remove the aircraft from the jacks referencing 3000 & 3450 Service Manual jacking instructions.

Aircraft Closing & Return to Service

1. Upon completion of inspection, enter information in Aircraft Logbook for completion of Wipaire Service Letter 262.