



• MANUFACTURERS OF WIPLINE FLOATS & SKIS
• SPECIALISTS IN AIRCRAFT MODIFICATION

1700 Henry Avenue - Fleming Field
South St. Paul, MN 55075
651-451-1205

Rev
A

Date
3-15-06

Prepared by
Ellen Parker

Aircraft Make / Model

Float / Ski Model
2100, 2350, 3000 & 3450 Amphibious Floats

Page
1
1

FAA Reviewed

Title
Addition of Hydraulic Accumulator

ALL INFORMATION IN THIS SERVICE DOCUMENT BASED ON FAA APPROVED DATA

SERVICE LETTER #48

DATE: March 15, 2006

TITLE: Addition of Hydraulic Accumulator

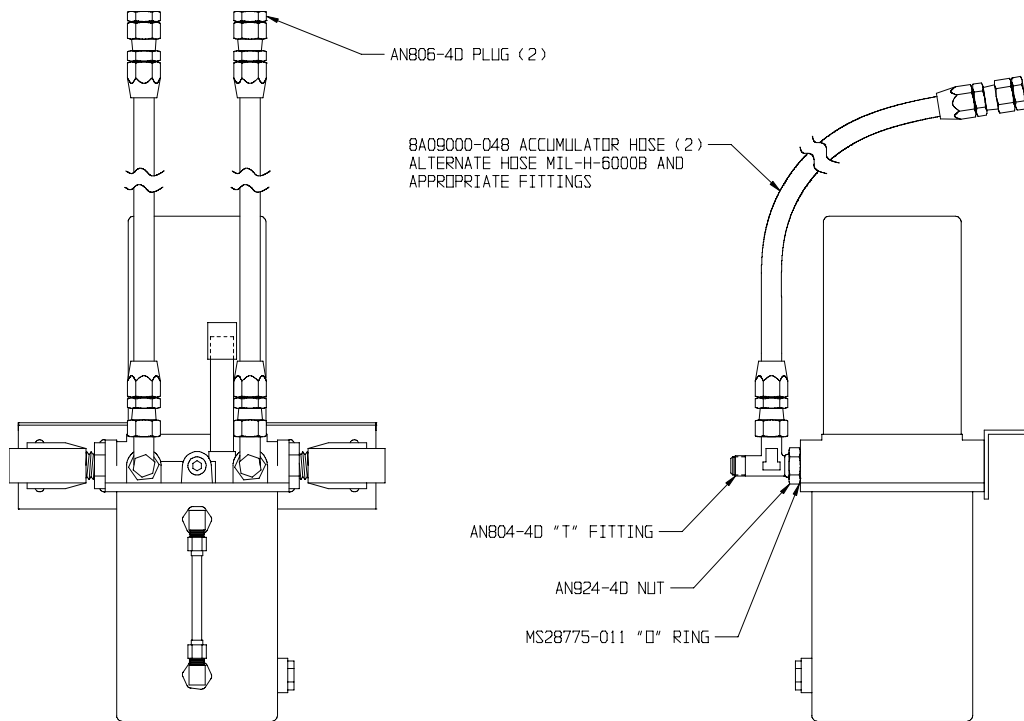
EFFECTIVITY: Aircraft with Model 2100, 2350, 3000, or 3450 Floats Installed.

REASON: Aircraft experiencing "hydraulic lockup" (gear does not cycle up unless emergency gear selector handle is cycled) as evidenced by landing gear not retracting due to pressure buildup on back side of piston thereby not allowing opposite pressure switch to make contact.

COMPLIANCE: At owner's discretion.

METHOD OF COMPLIANCE: Add accumulators per Service Kit #32 and below illustrations.

WARRANTEE: None.



TYPICAL INSTALLATION OF ACCUMULATOR HOSE – ALL MODELS